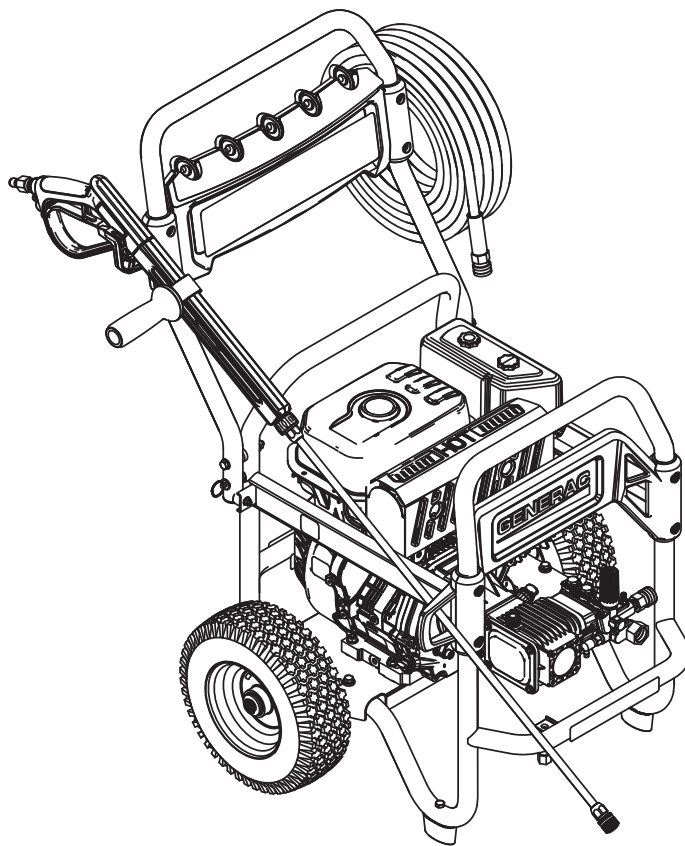




# Operator's Manual

## Power Washer



# Table of Contents

<b>Introduction</b> .....	<b>1</b>	<b>Maintenance</b> .....	<b>14</b>
<b>Safety Rules</b> .....	<b>1</b>	Maintenance Recommendations.....	14
Safety Symbols and Meanings .....	1	Maintenance Schedule .....	14
<b>General Information</b> .....	<b>4</b>	Emissions Control.....	14
Know Your Power Washer .....	4	Power Washer Maintenance .....	14
Product Specifications .....	5	Check and Clean Inlet Screen.....	14
Unpacking.....	5	Check High Pressure Hoses .....	14
<b>Set-up</b> .....	<b>5</b>	Check Detergent Siphoning Tube .....	14
Assembly.....	5	Check Spray Gun .....	15
Add Engine Oil .....	6	Nozzle Maintenance .....	15
Check Pump Oil .....	6	Pump Oil Maintenance .....	15
Add Fuel .....	7	Engine Maintenance .....	15
Connect Hose and Water Supply to Pump .....	7	Engine Oil Recommendations.....	16
How to Use Nozzles.....	9	Checking Oil Level.....	16
Cleaning and Applying Detergent .....	10	Adding Engine Oil.....	16
Power Washer Rinsing .....	10	Changing Engine Oil .....	16
Cleaning Detergent Siphoning Tube.....	10	Service Air Cleaner .....	17
<b>Operation</b> .....	<b>11</b>	Service Spark Plug.....	17
Operation .....	11	Inspect Muffler and Spark Arrestor .....	17
Power Washer Location .....	11	After Each Use.....	17
Checklist Before Starting Engine.....	11	Winter Storage .....	18
How to Start Your Power Washer .....	11	Long Term Storage.....	18
Automatic Cool Down System (Thermal Relief) .....	13	Protect Fuel System .....	18
Adjustable Pressure Setting.....	13	Change Oil .....	18
How to Stop Your Power Washer.....	13	Protecting the Pump.....	18
		Other Storage Instructions.....	18
		<b>Troubleshooting</b> .....	<b>19</b>
		Troubleshooting Guide.....	19
		<b>Warranty</b> .....	<b>20</b>
		<b>MANUAL DEL PROPIETARIO</b> .....	<b>23</b>
		<b>MANUEL DE L'OPÉRATEUR</b> .....	<b>47</b>

## INTRODUCTION

Thank you for purchasing this power washer manufactured by Generac Power Systems, Inc. This model is a high performance, air-cooled, engine-driven power washer that operates between 3000 and 4000 psi depending on which model you purchased. These units feature powerful Generac engines, a triplex pump with ceramic coated pistons, a pressure control valve, an automatic thermal relief system, a professional grade spray gun with vibration isolation for reduced fatigue, a stainless steel lance, quick connect nozzles, steel reinforced high pressure rubber hose for long life and maximum flexibility and a detergent siphoning hose.

**Common sense and strict compliance with the special instructions are essential to preventing accidents.** The operator must read this manual and thoroughly understand all of the instructions and warnings before using the equipment. If any portion of the manual is not understood, contact the nearest Authorized Dealer for starting, operating and servicing procedures. The owner is responsible for proper and safe use of the equipment.

The power washer can operate safely, efficiently and reliably only if it is properly located, operated and maintained. Before operating, servicing or storing:

- Study all warnings in this manual and on the product carefully.
- Become familiar with this manual and the unit before use.
- Refer to the Assembly section of the manual for instructions on final assembly procedures. Follow the instructions completely.

The manufacturer cannot anticipate every possible circumstance that might involve a hazard. The warnings in this manual, and on tags and decals affixed to the unit are, therefore, not all inclusive. If using a procedure, work method or operating technique that the manufacturer does not specifically recommend, ensure that it is safe for others. Also make sure the procedure, work method or operating technique utilized does not render the power washer unsafe.

THE INFORMATION CONTAINED HEREIN WAS BASED ON MACHINES IN PRODUCTION AT THE TIME OF PUBLICATION. GENERAC RESERVES THE RIGHT TO MODIFY THIS MANUAL AT ANY TIME.

**Save these instructions for future reference. If you loan this device to someone, ALWAYS loan ALL instructional materials to the individual as well.**

## WHERE TO FIND US

You can contact Generac Customer Service by phone at 1-888-436-3722, or on the internet at [www.generac.com](http://www.generac.com). Record the important information of the unit in the following chart for future reference and/or service inquiries.

<b>Model Number</b>	
<b>Serial Number</b>	
<b>Date Purchased</b>	

## SAFETY RULES

Throughout this publication, and on tags and decals affixed to the generator, DANGER, WARNING, CAUTION and NOTE blocks are used to alert personnel to special instructions about a particular operation that may be hazardous if performed incorrectly or carelessly. Observe them carefully. Their definitions are as follows:

### **⚠ DANGER!**

Indicates a hazardous situation or action which, if not avoided, will result in death or serious injury.

### **⚠ WARNING!**

Indicates a hazardous situation or action which, if not avoided, could result in death or serious injury.

### **⚠ CAUTION!**

Indicates a hazardous situation or action which, if not avoided, could result in minor or moderate injury.

### **NOTE:**

Notes contain additional information important to a procedure and will be found within the regular text body of this manual.

These safety warnings cannot eliminate the hazards that they indicate. Common sense and strict compliance with the special instructions while performing the action or service are essential to preventing accidents.

## SAFETY SYMBOLS AND MEANINGS



Toxic Fumes



Kickback



Electrical Shock



Slippery Surface



Fall



Fluid Injection



Fire



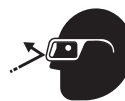
Explosion



Operator's Manual



Moving Parts




Flying Objects




Hot Surface


# Safety Rules

 **DANGER: Carbon monoxide produced during use CAN KILL in minutes. NEVER use indoors or in other sheltered areas, EVEN IF doors and windows are open. Only use OUTSIDE and far away from windows, doors and vents.**

 **Some chemicals or detergents may be harmful if inhaled or ingested, causing severe nausea, fainting, or poisoning.**

- Operate power washer ONLY outdoors.
- A running engine gives off carbon monoxide.
- Carbon monoxide is an odorless, colorless, poisonous gas. Breathing carbon monoxide can cause headache, fatigue, dizziness, vomiting, confusion, seizures, nausea, fainting or death. If you start experiencing any of these symptoms, IMMEDIATELY move to fresh air. Seek medical attention.
- Keep exhaust gas from entering a confined area through windows, doors, ventilation intakes, or other openings. Warn any occupants inside about the symptoms of carbon monoxide so they know to move to fresh air if they begin to feel ill.
- The use of a carbon monoxide detector inside any occupied premises between the power washer and the occupant is recommended.
- NEVER start or run engine indoors or in an enclosed area, EVEN IF windows and doors are open.
- Use a respirator or mask whenever there is a chance that harmful gas or vapors may be inhaled.
- Read all instructions with respirator or mask so you are certain the respirator or mask will provide the necessary protection against inhaling harmful gas or vapors. If you begin to experience any of the CO symptoms listed above, IMMEDIATELY move to fresh air.


 **DANGER: NEVER aim spray gun at people, animals, or electrical devices. Serious injury or death will result. ALWAYS point spray gun in safe direction, squeeze spray gun trigger to release high pressure, every time you stop engine. Engage trigger lock when not in use.**

- 
- The high pressure stream of water that this equipment produces can cut through skin and its underlying tissues, leading to serious injury, possible amputation or death. Spray gun traps high water pressure, EVEN WHEN engine is stopped and water is disconnected, which can cause injury.
  - NEVER allow CHILDREN to operate power washer or play nearby. This is NOT a toy.
  - NEVER repair high pressure hose. Replace it.
  - NEVER repair leaking connections with sealant of any kind. Replace o-ring or seal.
  - NEVER connect high pressure hose to nozzle extension.
  - Keep high pressure hose connected to pump and spray gun while system is pressurized.
  - NEVER secure spray gun in open position.
  - NEVER leave spray gun unattended while machine is running.
  - NEVER use a spray gun which does not have a trigger lock or trigger guard in place and in working order.
  - ALWAYS be certain spray gun, nozzles and accessories are correctly attached.

 **WARNING: Risk of electrocution.**

 **Contact with power source can cause electric shock or burn.**

- NEVER spray near power source.

 **WARNING: Contact with muffler area can result in serious burns. Exhaust heat/gases can ignite combustibles, structures or damage the fuel tank causing a fire.**



- DO NOT touch hot parts and AVOID hot exhaust gases.
- Allow equipment to cool before touching.
- Keep at least five (5) feet (152 cm) of clearance on all sides of power washer including overhead.



- It is a violation of California Public Resource Code, Section 4442, to use or operate the engine on any forest-covered, brush-covered, or grass-covered land unless the exhaust system is equipped with a spark arrester, as defined in Section 4442, maintained in effective working order. Other states or federal jurisdictions may have similar laws.

Contact the original equipment manufacturer, retailer, or dealer to obtain a spark arrester designed for the exhaust system installed on this engine.

- Replacement parts must be the same and installed in the same position as the original parts.

 **WARNING: Fuel and its vapors are extremely flammable and explosive. Fire or explosion can cause severe burns or death.**



#### WHEN ADDING OR DRAINING FUEL

- Turn power washer OFF and let it cool at least two (2) minutes before removing fuel cap. Loosen cap slowly to relieve pressure in tank.



- Fill or drain fuel tank outdoors.
- DO NOT overfill tank. Allow space for fuel expansion.
- If fuel spills, wait until it evaporates before starting engine.
- Keep fuel away from sparks, open flames, pilot lights, heat, and other ignition sources.
- DO NOT light a cigarette or smoke.

#### WHEN STARTING EQUIPMENT

- Ensure spark plug, muffler, fuel cap, and air cleaner are in place.
- DO NOT crank engine with spark plug removed.

#### WHEN OPERATING EQUIPMENT

- DO NOT tip engine or equipment at angle which causes fuel to spill.
- DO NOT spray flammable liquids.

#### WHEN TRANSPORTING OR REPAIRING EQUIPMENT

- Transport/repair with fuel tank EMPTY or with fuel shutoff valve OFF.
- Disconnect spark plug wire.

#### WHEN STORING FUEL OR EQUIPMENT WITH FUEL IN TANK

- Store away from furnaces, stoves, water heaters, clothes dryers, or other appliances that have pilot light or other ignition source because they can ignite fuel vapors.

**WARNING: Use of power washer can create puddles and slippery surfaces. Kickback from spray gun can cause you to fall.**



- Use only on a level surface.
- The cleaning area should have adequate slopes and drainage to reduce the possibility of a fall due to slippery surfaces.



- Do not use on elevated surfaces where chance of kickback could result in a serious fall.
- Firmly grasp spray gun with both hands when using high pressure spray to avoid injury when spray gun kicks back.

**WARNING: Starter and other rotating parts can entangle hands, hair, clothing, or accessories.**



- NEVER operate power washer without protective housing or covers.
- DO NOT wear loose clothing, jewelry or anything that may be caught in the starter or other rotating parts.
- Tie up long hair and remove jewelry.

**WARNING: Starter cord kickback (rapid retraction) can result in bodily injury. Kickback will pull hand and arm toward engine faster than you can let go. Broken bones, fractures, bruises, or sprains could result.**



- NEVER pull starter cord without first relieving spray gun pressure.
- To relieve trapped pressure, point gun in safe direction and release pressure by pulling/actuating trigger on spray gun.
- When starting engine, pull cord slowly until resistance is felt and then pull rapidly to avoid kickback.
- After each starting attempt, where engine fails to run, always point spray gun in safe direction, and squeeze spray gun trigger to release high pressure.
- Firmly grasp spray gun with both hands when using high pressure spray to avoid injury when spray gun kicks back.

**WARNING: Unintentional sparking can result in fire or electric shock.**



**WHEN ADJUSTING OR MAKING REPAIRS TO YOUR POWER WASHER.**

- Disconnect the spark plug wire from the spark plug and place the wire where it cannot contact spark plug.



**WHEN TESTING FOR ENGINE SPARK**

- Use approved spark plug tester.
- DO NOT check for spark with spark plug removed.

**WARNING: Risk of eye injury. Spray can splash back or propel objects.**



- Always wear safety goggles when using this equipment or in vicinity of where equipment is in use.
- Before starting the power washer, be sure you are wearing adequate safety goggles.
- NEVER substitute safety glasses for safety goggles.

## CALIFORNIA PROPOSITION 65 WARNING

Engine exhaust and some of its constituents are known to the State of California to cause cancer, birth defects and other reproductive harm.

## CALIFORNIA PROPOSITION 65 WARNING

This product contains or emits chemicals known to the State of California to cause cancer, birth defects and other reproductive harm.

### NOTE:

**High pressure spray may damage fragile items including glass.**

- DO NOT point spray gun at glass when using red (0°) MAX nozzle.
- NEVER aim spray gun at people, animals, electrical devices or plants.

### NOTE:

**Improper treatment of power washer can damage it and shorten its life.**

- If you have questions about intended use, ask dealer or contact qualified service center.
- NEVER operate units with broken or missing parts, or without protective housing or covers.
- DO NOT by-pass any safety device on this machine.
- DO NOT operate power washer above rated pressure.
- DO NOT modify power washer in any way.
- Before starting power washer in cold weather, check all parts of the equipment to be sure ice has not formed there.
- NEVER move machine by pulling on hoses. Use handle provided on unit.
- Check fuel system for leaks or signs of deterioration, such as chafed or spongy hose, loose or missing clamps, or damaged tank or cap. Correct all defects before operating power washer.
- This equipment is designed to be used with Generac authorized parts ONLY. If equipment is used with parts that DO NOT comply with minimum specifications, user assumes all risks and liabilities.

## General Information

### KNOW YOUR POWER WASHER

Read this owner's manual and safety rules before operating your high power washer.

If you loan this device to someone, ALWAYS loan ALL instructional documentation to the individual as well. Compare the illustrations with your high power washer to familiarize yourself with the locations of various controls (Figure 1). Save this manual for future reference. Replacement owner's manuals can be printed from the Generac Web site.

- A - Spray Gun** – Controls the application of water onto the cleaning surface with trigger device. Includes a trigger lock.
- B - Lance with Quick Connect** – Allows you to switch between four different nozzles.
- C - High Pressure Hose** – Connect one end to water pump and the other to the spray gun.
- D - Recoil Starter** – Use for starting the engine.
- E - Oil Fill** – Check and add engine oil here.
- F - Air Filter** – Protects engine by filtering dust, and debris out of the intake air.
- G - Pump** – Develops high pressure.
- H - Thermal Relief Valve** – Cycle's water through the pump when water reaches 125°F. Warm water will discharge from pump onto ground. This prevents internal pump damage.
- I - Engine On/Off Switch** – Run this switch to "ON" before using the recoil starter. Turn the switch to "OFF" to stop the engine.
- J - Pressure Control/Unloader Valve** – Controls the high pressure output.

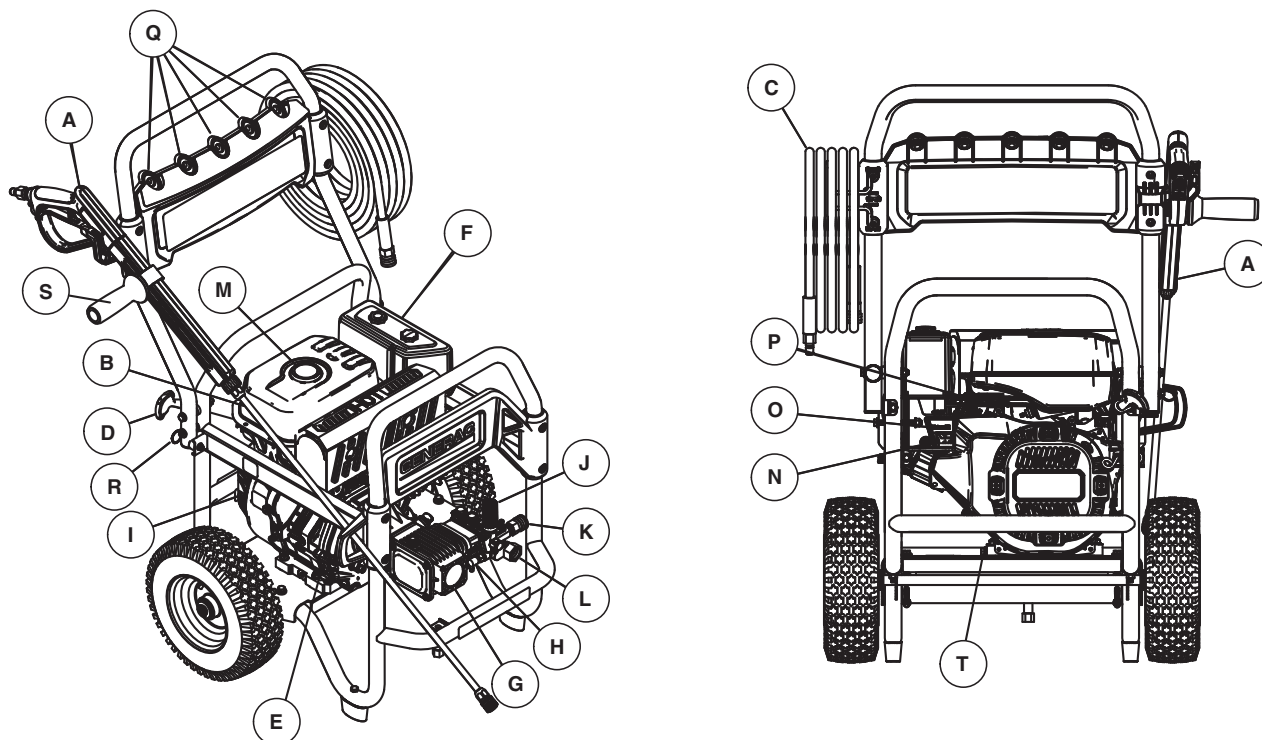
- K - High Pressure Outlet** – Connection for high pressure hose.
- L - Water Inlet** – Connection for Garden Hose.
- M - Fuel Tank** – Fill tank with regular unleaded fuel. Always leave room for fuel expansion.
- N - Fuel On/Off Switch** – Turns fuel supply to the engine on and off.
- O - Choke** – Prepares a cold engine for starting.
- P - Throttle Lever** – Increases or decreases engine speed. Throttle should be at maximum travel when the pressure washer is in use.
- Q - Nozzles** – Chemical injection, 0°, 15°, 25°, 40° (white, yellow, red and black) for various high pressure cleaning applications.
- R - Pull Pin** – Pull the ring to unlock the handle. This allows the handle to be collapsed for storage.
- S - Adjustable Side Handle** – Adjustable by turning counter clockwise to loosen, adjust to comfortable position and tighten clockwise. This allows for a firm operating grip of the spray gun.
- T - Oil Drain** – Drain engine oil here.

### ITEMS NOT SHOWN

**Identification Label (near rear of base plate)** – Provides model and serial number of pressure washer. Please have these readily available if calling for assistance.

**Detergent Siphoning Tube/Filter** – Use to siphon pressure washer safe detergents into the low pressure stream.

Figure 1 – Features & Controls



## PRODUCT SPECIFICATIONS

Pressure - (PSI / BAR)	3000 / 207	3300 / 228	4000 / 276
Flow Rate - (GPM / LPM)	2.8 / 10.6	3.2 / 12.1	4.0 / 15.1
Water Supply Temperature - (°F / C°)	100 / 38 Max		
Hose Length - (Feet / Meters)	35 / 10.7		50 / 15.2
Nozzles - Number per Unit	5		
Lance Length (Inches / cm)	20 / 51	33 / 84	33 / 84
Gun	Professional		
Engine Displacement - (Cubic Inch / cc)	12.9 / 212	18.4 / 302	25.6 / 420
Spark Plug Type	F7RTC or equivalent		
Spark Plug Gap - (Inches / mm)	0.028-0.031 / 0.70-0.80		
Fuel Capacity - (Quarts / Liters)	3.2 / 3.0	4.9 / 4.63	6.3 / 6.0
Engine Oil Capacity - (Oz / Liters)	20 / 0.6	37 / 1.1	37 / 1.1
Low Oil Shut Down System	Yes		
On / Off Switch	Yes		

## UNPACKING

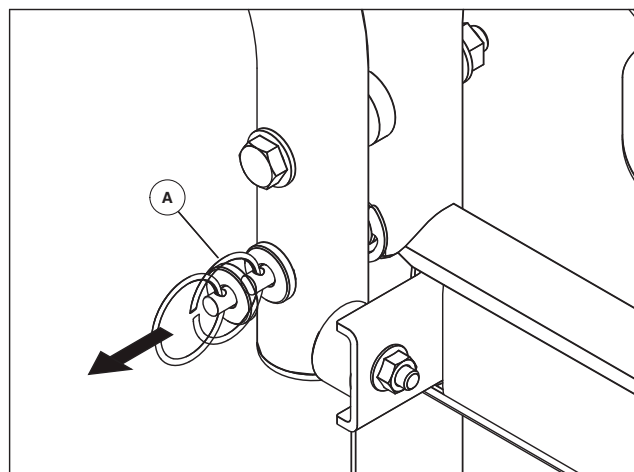
1. Remove the parts bag, accessories, and inserts included with power washer.
2. Open carton completely by cutting each corner from top to bottom.
3. Ensure you have all included items prior to assembly.
  - Main Unit
  - High Pressure Hose
  - Siphon Hose & Filter
  - Spray Gun
  - Lance with Quick Connect Fitting
  - Oil Bottle
  - Parts Bag (which includes the following):
    - ~ Hose Hook Wireform with Screws and Allen Wrench
    - ~ Operator's Manual
    - ~ Owner's Registration Card
    - ~ Bag containing Color-coded Nozzles
    - ~ Filter Screen
4. If you are missing any items from your carton, please call Generac Customer Service at 1-888-436-3722. When calling for assistance, please have the model and serial number from the data tag available.
5. Fill out and send in registration card. Write Model number, Serial number & date of purchase in the table located in the "Where to Find Us" section.

## ASSEMBLY

Read the entire operator's manual before you attempt to assemble, or if you have any problems with the assembly of your power washer, please call Generac Customer Service at 1-888-436-3722. When calling for assistance, please have the model and serial number from the data tag available.

1. The handle may be folded down or locked into position using the integrated pull pin.

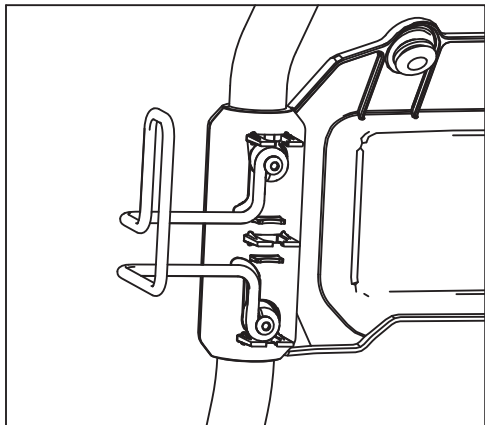
**Figure 2 – Attach Handle**



## Set-up

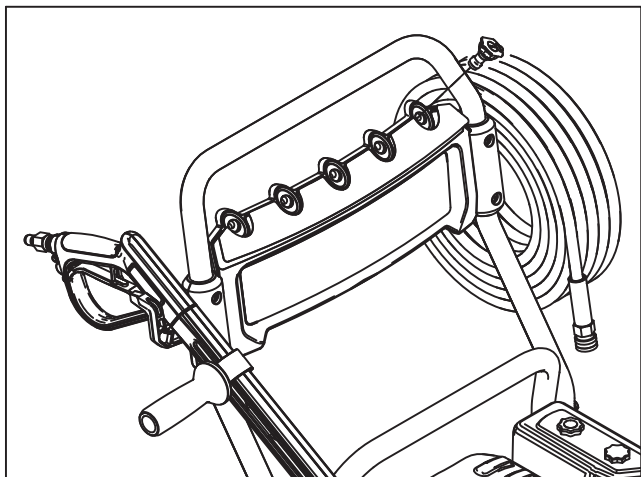
2. Install hose hook using provided screws and allen wrench (Figure 3).

**Figure 3 – Install Hose Hook**



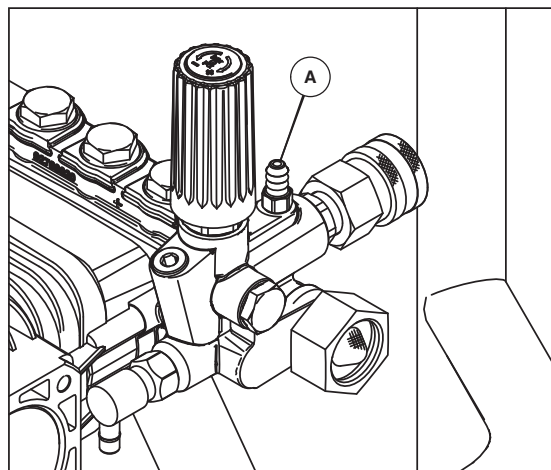
3. Insert color-coded nozzles in spaces provided in handle (Figure 4).
4. Place spray gun and nozzle extension into spray gun holder as shown (Figure 4).

**Figure 4 – Insert Nozzles**



5. Coil high pressure hose and hang on hook.
6. Attach siphon tube to location A (Figure 5).

**Figure 5 – Siphon Tube Location**



## ADD ENGINE OIL

1. Place power washer on a flat, level surface.
2. Clean area around oil fill and remove orange oil fill cap/dipstick.
3. Using oil funnel (optional), slowly pour contents of provided oil bottle into oil fill opening. See Maintenance section for oil type recommendation.

### NOTE:

**On some units there is more than one oil fill location. In these instances it is only necessary to use one of the oil fill points.**

4. Check periodically until the FULL mark is reached. DO NOT OVERFILL.

### NOTE:

**Any attempt to crank or start the engine before it has been properly serviced with the recommend oil may result in engine failure.**

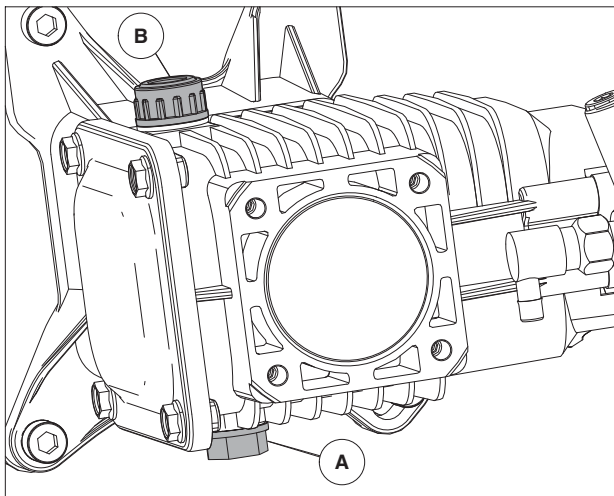
5. Replace oil fill cap/dipstick and fully tighten.

## CHECK PUMP OIL

1. Place power washer on a flat, level surface.
2. Clean area around oil fill and remove vented cap/dipstick (B) (Figure 6).
3. Check to confirm oil level is up to the "Full" mark on the dipstick. If oil is required, see Maintenance section. DO NOT OVERFILL.
4. See the Maintenance section for additional information on pump oil maintenance.
5. Replace oil fill cap/dipstick and fully tighten.



Figure 6 – Check Pump Oil



## ADD FUEL

Fuel must meet these requirements:

- Clean, fresh, unleaded gasoline.
- A minimum of 87 octane/87 AKI (91 RON).
- Gasoline with up to 10% ethanol (gasohol) is acceptable.

### NOTE:

**Avoid power washer damage. Failure to follow Operator's Manual for fuel recommendations voids warranty.**

- DO NOT use unapproved gasoline such as E85.
- DO NOT mix oil in gasoline.
- DO NOT modify engine to run on alternate fuels.

To protect the fuel system from gelling, mix in a fuel stabilizer when adding fuel. See Storage. All fuel is not the same. If you experience starting or performance problems after using fuel, switch to a different fuel provider or change brands.

### **⚠ WARNING!**



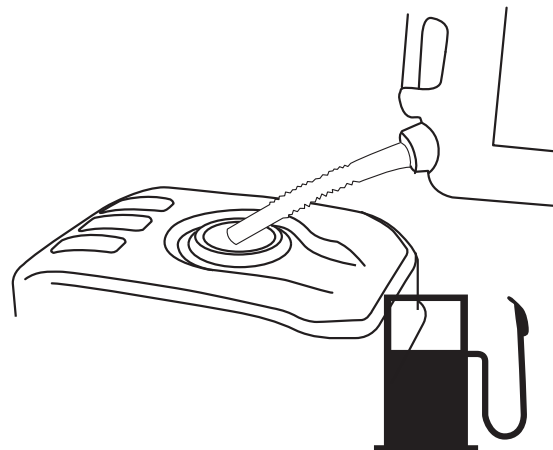
**Fuel and its vapors are extremely flammable and explosive. Fire or explosion can cause severe burns or death.**

## WHEN ADDING FUEL

- Turn power washer OFF and let it cool at least two (2) minutes before removing fuel cap. Loosen cap slowly to relieve pressure in tank.
  - Fill fuel tank outdoors.
  - DO NOT overfill tank. Allow space for fuel expansion.
  - If fuel spills, wait until it evaporates before starting engine.
  - Keep fuel away from sparks, open flames, pilot lights, heat, and other ignition sources.
  - DO NOT light a cigarette or smoke.
1. Clean area around fuel fill cap, remove cap.
  2. Slowly add regular unleaded fuel to fuel tank. Be careful not to overfill. Fill to bottom of filter screen, this will allow for fuel expansion (Figure 7).

3. Install fuel cap and let any spilled fuel evaporate before starting engine.

Figure 7 – Adding Fuel



## CONNECT HOSE AND WATER SUPPLY TO PUMP

### NOTE:

**DO NOT run the pump without the water supply connected and turned on. Damage to equipment resulting from failure to follow this instruction will void warranty.**

### NOTE:

**Remove and discard the shipping cap from the pump's water inlet before attaching hose.**

1. Run water through your garden hose for 30 seconds to clean out any debris.
2. Before connecting garden hose to water inlet, inspect inlet screen before installing (A) (Figure 8). The cone should face outward. Clean screen if it contains debris or have it replaced if damaged. DO NOT run power washer if inlet screen is damaged.

**IMPORTANT:** DO NOT siphon standing water for the water supply. Use ONLY cold water (less than 100°F). Water supply must be adequate to handle greater than 3.8 gallons per minute and no less than 30 psi.

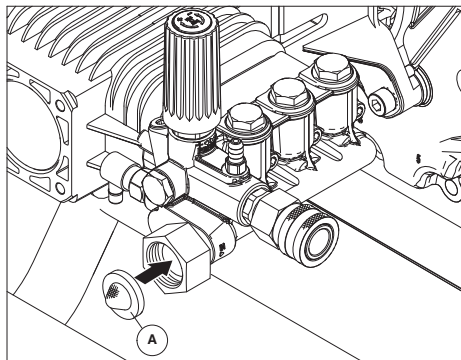
### NOTE:

**Using a One Way Valve (vacuum breaker or check valve) at pump inlet can cause pump or inlet connector damage.**

- There MUST be at least ten feet of unrestricted garden hose between the power washer inlet and any device, such as a vacuum breaker or check valve.
- Damage to equipment resulting from failure to follow this instruction will void warranty.

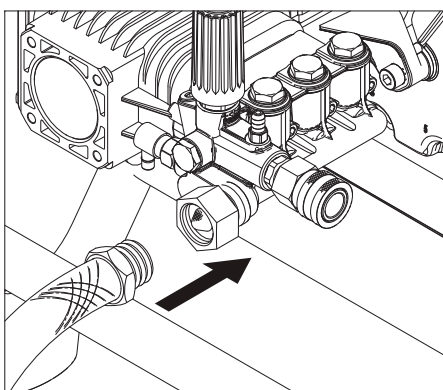
## Set-up

**Figure 8 – Inspect Inlet Screen**



3. Connect the garden hose (not to exceed 50 feet in length) to the water inlet (Figure 9). Tighten by hand.

**Figure 9 – Connect Garden Hose**

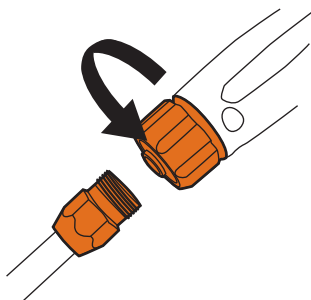


### **⚠ WARNING!**

 Risk of eye injury. Spray can splash back or propel objects.

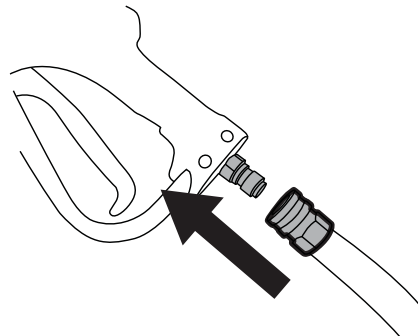
- Always wear safety goggles when using this equipment or in vicinity of equipment in use.
  - Before starting the power washer, be sure you are wearing adequate safety goggles.
  - NEVER substitute safety glasses for safety goggles.
4. Connect lance to spray gun (Figure 10). Tighten by hand.

**Figure 10 – Attach Lance**




5. Attach end of high pressure hose to base of spray gun (Figure 11).

**Figure 11 – Connect Hose to Spray Gun**

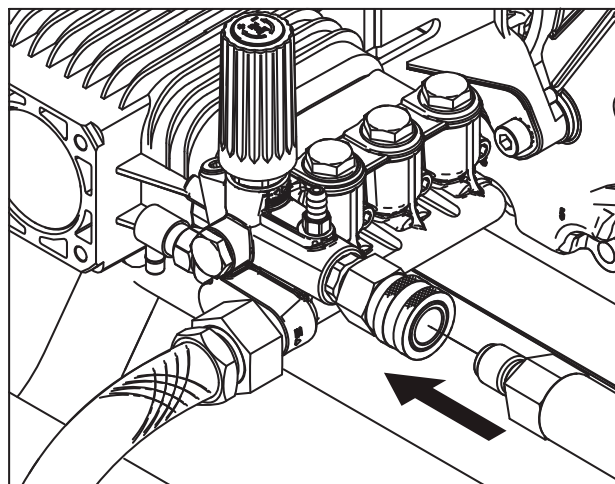


### **⚠ DANGER!**

 The high pressure stream of water that this equipment produces can cut through skin and its underlying tissues, leading to serious injury, possible amputation or death. Spray gun traps high water pressure, even when engine is stopped and water is disconnected, which can cause injury.

- NEVER connect high pressure hose to lance.
  - Keep high pressure hose connected to pump and spray gun while system is pressurized.
  - Always be certain spray gun, nozzles and accessories are correctly attached.
6. Connect high pressure hose to pump (uncoil hose before connecting to pump or spray gun) (Figure 12).

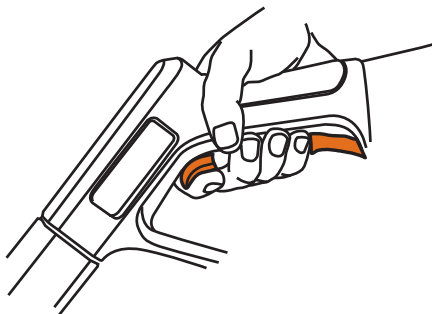
**Figure 12 – Connect High Pressure Hose to Pump**



7. Turn ON the water, squeeze the trigger to purge the pump system of air (Figure 13).

### **⚠ CAUTION!**

 The hose can be damaged if it comes in contact with a hot engine or muffler.


**Figure 13 – Squeeze Trigger**

## HOW TO USE NOZZLES

The quick-connect on the nozzle lance allows you to switch between different nozzles. Nozzles can be changed while the power washer is running, once the spray gun trigger is locked in the safety position. The nozzles vary the pressure and spray pattern as shown.

- For the most effective cleaning, keep the nozzle from 8 to 24 inches (20 to 61 cm) away from the surface being cleaned.
- If you get the nozzle too close, especially using a high pressure nozzle, you may damage the surface being cleaned.

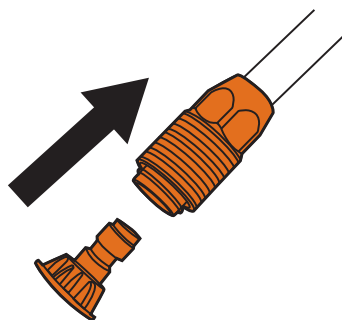
### **⚠ DANGER!**

 The high pressure stream of water that this equipment produces can cut through skin and its underlying tissues, leading to serious injury, possible amputation or death. Spray gun traps high water pressure, even when engine is stopped and water is disconnected, which can cause injury.

- NEVER exchange nozzles without the trigger lock being engaged on the spray gun.
- DO NOT twist nozzles while spraying.

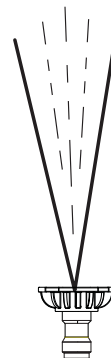
Follow these instructions to change nozzles:

1. Pull back the collar on the quick-connect and pull the current nozzle off. Store nozzles in the accessory storage holder (Figure 14).

**Figure 14 – Nozzles**

2. Select desired nozzle:
3. Pull back on the collar, insert the new nozzle and release the collar. Tug on the nozzle to make sure it is securely in place.

- The WHITE NOZZLE is used for delicate rinse (lower pressure and higher flow), for gentle cleaning of cars/trucks, boats, RV's, patio furniture, lawn equipment, etc. (Figure 15).

**Figure 15 – Low Pressure Nozzle (White)**

- The YELLOW NOZZLE is for general rinsing (medium pressure and medium flow), ideal for most all purpose cleaning such as home siding, brick patios, wood decks, driveways and sidewalks, garage floors, etc. (Figure 16).

**Figure 16 – Medium Pressure Nozzle (Yellow)**

- The RED NOZZLE is for maximum rinsing (higher pressure and lower flow); for stubborn or hard to reach surface such as second story surfaces, paint removal, oil stains, rust removal or other stubborn substances (tar, gum, grease, wax, etc.) (Figure 17).

### **⚠ CAUTION!**

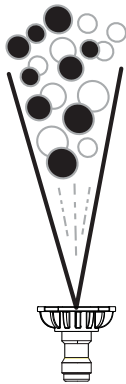
 This tip (Red Nozzle) can damage work surfaces if it is too close, or held in one position for an extended time.

**Figure 17 – Maximum Pressure Nozzle (Red)**

## Set-up

- Use the BLACK NOZZLE when applying detergent (Figure 18). Only use power washer safe detergents/soaps to help break down stubborn dirt and grime on a variety of surfaces.

**Figure 18 – Detergent Nozzle (Black)**



### CLEANING AND APPLYING DETERGENT

#### ⚠ CAUTION!

**⚠ Chemicals can cause bodily injury, and/or property damage.**

- NEVER use caustic liquid with the power washer.
- Use ONLY power washer safe detergents/soaps. Follow all manufacturers instructions.

To apply detergent, follow these steps:

1. Review proper use of nozzles.
2. Prepare detergent solution as required by the job into a container located within the proximity of the siphon tube.
3. Make sure the siphoning tube remains fully submerged into the detergent.

#### NOTE:

**Make sure the filter remains fully submerged in detergent while applying detergent.**

#### NOTE:

**Contact with the hot muffler can damage the detergent siphoning tube.**

- When inserting the siphon into a detergent solution bottle, route the tube so as to keep it from inadvertently contacting the hot muffler.
7. Make sure the black detergent nozzle is installed.

#### NOTE:

**Detergent cannot be applied with the high pressure nozzles (Yellow, White, Green or Red). Only use the Black nozzle with detergent.**

8. Confirm that all set-up instructions have been followed.

#### NOTE:

**You must attach all the hoses before you start the engine.**

- Starting the engine without all the hoses connected, and without the water turned ON, will damage the pump.
- Damage to the equipment resulting from failure to follow these instructions will void the warranty.

9. Start engine following instructions How to Start Your Power Washer.
10. Apply detergent to a dry surface, starting at the lower portion of the area to be washed and work upward using long, even, overlapping strokes.
11. Allow the detergent to "soak in" for 3-5 minutes before washing and rinsing. Reapply as needed to prevent the surface from drying. DO NOT allow the detergent to dry on the surface being cleaned (prevents streaking).

**IMPORTANT:** You must flush the detergent siphoning system after each use by placing the filter into a bucket of clean water, then run the power washer in low pressure for 1-2 minutes.

### POWER WASHER RINSING

1. Remove the black detergent nozzle from the lance.
2. Select and install the desired high pressure nozzle following the instructions How to Use Nozzles.
3. Point the spray gun in a safe direction and away from people, animals and plants. Squeeze the trigger to flush any remaining chemicals from the system.
4. Keep the spray gun a safe distance from the area you plan to spray.

#### ⚠ WARNING!



**Kickback from the spray gun can cause you to fall.**

- Use only on a level surface.
  - Do not use on an elevated surface to prevent the risk of a serious fall.
  - Firmly grasp the spray gun with both hands when using the high pressure spray to avoid injury when the spray gun kicks back.
5. Apply a high pressure spray to a small area and then check surface for damage. If no damage is found, you can assume it is okay to continue rinsing.
  6. Start at the top of the area to be rinsed, working down with the same overlapping strokes used for cleaning.


### CLEANING DETERGENT SIPHONING TUBE

If you used the detergent siphoning tube, you must flush it with clean water before stopping the engine.

1. Place the detergent siphoning tube/filter in a bucket full of clean water.
2. Remove the high pressure nozzle from the nozzle extension.
3. Select and install the black detergent nozzle following the instructions How to Use Nozzles.
4. Flush for 1-2 minutes.
5. Shut the engine off following the instructions How to Stop Power Washer, and turn off water supply.
6. ALWAYS point the spray gun in a safe direction, squeeze the spray gun trigger to release retained high water pressure. Engage the trigger lock when not in use.

**IMPORTANT:** Spray gun traps high water pressure, even when the engine is stopped and water is disconnected.

## ⚠ DANGER!

 The high pressure stream of water that this equipment produces can cut through skin and its underlying tissues, leading to serious injury, possible amputation or death. Spray gun traps high water pressure, even when engine is stopped and water is disconnected, which can cause injury.

- Keep the high pressure hose connected to the pump and spray gun while the system is pressurized.
- ALWAYS point the spray gun in a safe direction, and squeeze the spray gun trigger to release high pressure every time you stop the engine. Engage the trigger lock when not in use.


## OPERATION

If you have any problems operating your power washer, please call Generac customer service at 1-888-436-3722.

## POWER WASHER LOCATION

### Clearances and Air Movement

## ⚠ DANGER!

 **DANGER: Carbon monoxide produced during use CAN KILL in minutes. NEVER use indoors or in other sheltered areas, EVEN IF doors and windows are open. Only use OUTSIDE and far away from windows, doors and vents.**

### NOTE:

For more information, reference the Carbon Monoxide warnings in the Safety Rules section.

Place the power washer outdoors, in an area that will not accumulate deadly exhaust gas. NEVER place the power washer where exhaust gas could accumulate and enter inside, or be drawn into a potentially occupied building. Ensure the exhaust gas is kept away from any windows, doors, ventilation intakes, or other openings that can allow the exhaust gas to collect in a confined area. Prevailing winds and air currents should be taken into consideration when positioning the power washer (Figure 19).

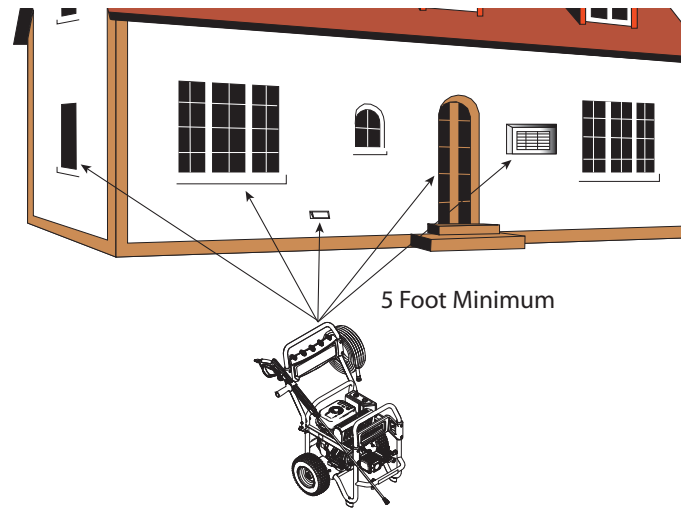
- Operate the power washer outdoors ONLY.
- Keep the exhaust gas from entering a confined area through windows, doors, ventilation intakes, or other openings.
- NEVER start or run the engine indoors, or in an enclosed area, EVEN IF windows and doors are open.

## ⚠ WARNING!

 Exhaust heat/gases can ignite combustibles, structures or damage the fuel tank causing a fire.

- Keep at least 5 ft. (152 cm) clearance on all sides of the power washer including overhead.

Figure 19 – Building Clearances



## CHECKLIST BEFORE STARTING ENGINE

1. Be sure to read and understand the Operator Safety section and the Operation section before using the power washer.
2. Check that oil is at the proper level in the engine crankcase and that fuel has been added to the fuel tank.
3. Review the unit's assembly and ensure the fittings are properly secured. Also make sure there are no kinks, cuts, or damage to high pressure hose.
4. Provide a proper water supply at an adequate flow, clear screens of debris, and confirm that the system is purged of air.
5. Confirm that the unit is on secure, level ground and the surrounding work area is clear.

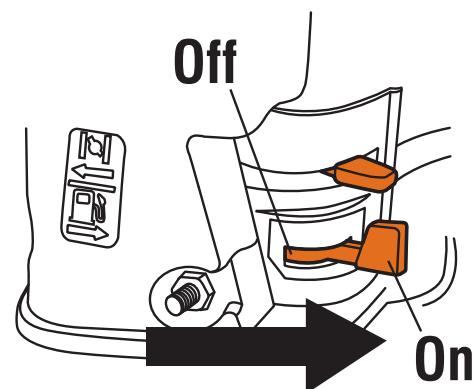
## HOW TO START YOUR POWER WASHER

### NOTE:

**DO NOT run the pump without the water supply connected and turned on. Damage to the equipment resulting from failure to follow these instructions will void warranty.**

1. Move the fuel valve lever to the ON position (Figure 20).

Figure 20 – Fuel Valve



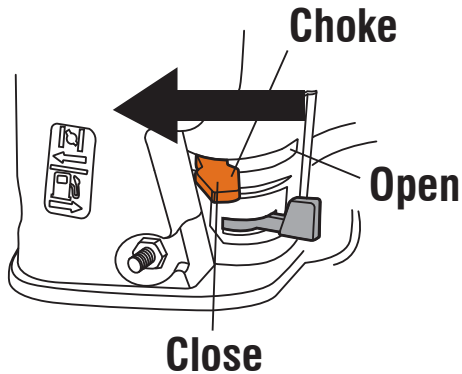
# Operation

2. Move the choke lever to the "CLOSE" position (Figure 21).

**NOTE:**

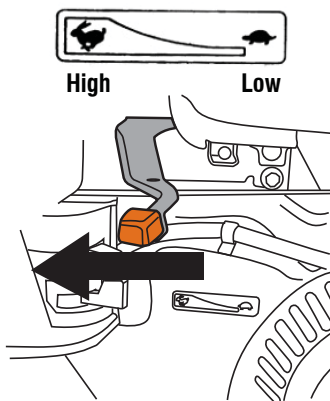
For a warm engine, be sure the choke lever is in the "OPEN" position.

**Figure 21 – Choke Lever**



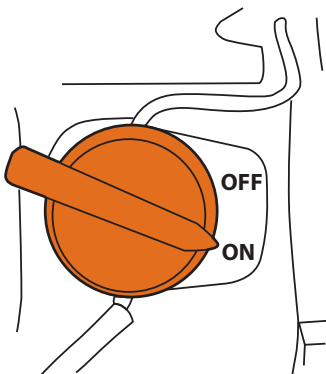
3. Move the throttle control lever to the "HIGH" position, shown on the engine as a rabbit (Figure 22).

**Figure 22 – Throttle Control**



4. Turn the engine switch to the "ON" position (Figure 23).

**Figure 23 – The ON Position**



**IMPORTANT:** Before starting the power washer, be sure you are wearing adequate safety goggles.

**⚠ WARNING!**



**Risk of eye injury. Spray can splash back or propel objects.**

- Always wear safety goggles when using this equipment or in the vicinity of equipment in use.
  - Before starting the power washer, be sure you are wearing adequate safety goggles.
  - NEVER substitute safety glasses for safety goggles.
5. Place foot on footpad or otherwise secure the unit from movement when pulling the recoil.
  6. When starting the engine, grasp the starter grip handle (Figure 24) and pull slowly until you feel some resistance. Then pull rapidly to start engine.

**⚠ WARNING!**

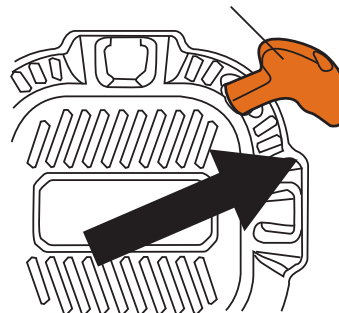


**Starter cord kickback (rapid retraction) can result in bodily injury. Kickback will pull hand and arm toward engine faster than you can let go. Broken bones, fractures, bruises, or sprains could result.**

- NEVER pull the starter cord without first relieving the spray gun pressure.
  - When starting the engine, pull the cord slowly until resistance is felt, then pull rapidly to avoid kickback.
  - After each starting attempt, where engine fails to run, always point the spray gun in a safe direction and squeeze the spray gun trigger to release high pressure.
  - Firmly grasp the spray gun with both hands when using high pressure spray to avoid injury when the spray gun kicks back.
7. Return the starter grip handle slowly. DO NOT let the rope "snap back" against the starter.

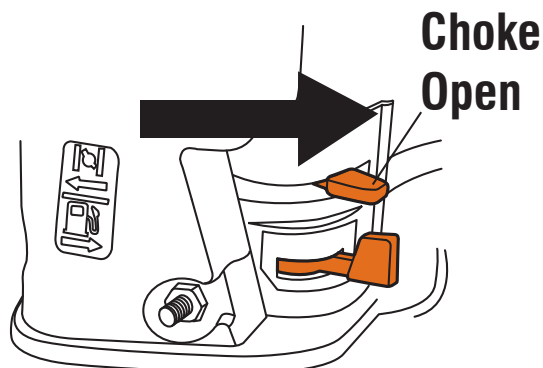
**Figure 24 – Starting the Engine**

## Starter Handle




8. When the engine starts, slowly move the choke lever to the "OPEN" position as the engine warms. If the engine falters, move the choke lever to the "CLOSE" position, then to the "OPEN" position (Figure 25).

Figure 25 – Choke Lever




9. After each starting attempt, where the engine fails to run, always point the gun in a safe direction, and squeeze the spray gun trigger to release high pressure.
10. If the engine fails to start after six pulls, move the choke lever to the “OPEN” position, and repeat steps 6 through 10.

**⚠ DANGER!**

 **The high pressure stream of water that this equipment produces can cut through skin and its underlying tissues, leading to serious injury, possible amputation or death. Spray gun traps high water pressure, even when engine is stopped and water is disconnected, which can cause injury.**

- DO NOT allow CHILDREN to operate the power washer or play nearby.
- Keep the high pressure hose connected to the pump and spray gun while the system is pressurized.
- NEVER aim the spray gun at people, animals or electrical devices. Serious injury will result.
- DO NOT secure the spray gun in the open position.
- DO NOT leave the spray gun unattended while the machine is running.
- NEVER use a spray gun which does not have a trigger lock or trigger guard in place and in working order.
- Always be certain the spray gun, nozzles and accessories are correctly attached.

**⚠ WARNING!**

 **Contact with the muffler area can result in serious burns. Exhaust heat/gases can ignite combustibles, structures or damage the fuel tank causing a fire.**

- DO NOT touch hot parts and AVOID hot exhaust gases.
- Allow the equipment to cool before touching.
- Keep at least five (5) feet (152 cm) of clearance on all sides of the power washer including overhead.
- It is a violation of California Public Resource Code, Section 4442, to use or operate the engine on any forest-covered, brush-covered, or grass-covered land unless the exhaust system is equipped with a spark arrester, as defined in Section 4442, maintained in effective working order. Other states or federal jurisdictions may have similar laws.
- Replacement parts must be the same and installed in the same position as the original parts.

**AUTOMATIC COOL DOWN SYSTEM (THERMAL RELIEF)**

If you run the engine on your power washer for 3-5 minutes without pressing the trigger on the spray gun, circulating water in the pump can reach temperatures above 125°F. The system engages to cool the pump by **discharging the warm water onto the ground.**

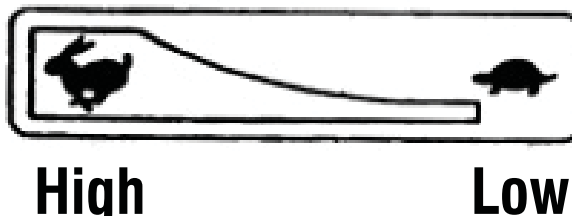
**ADJUSTABLE PRESSURE SETTING**

Your pressure washer pump is equipped with a feature that allows you to adjust the pressure setting. The pump is preset at the factory to achieve the highest possible pressure. To decrease the pressure, turn the pressure control knob counterclockwise to the desired pressure. Turning the pressure control knob clockwise until it stops will set the pressure back to the factory setting.

**HOW TO STOP YOUR POWER WASHER**

1. Release the spray gun trigger.
2. Move the throttle control lever on the engine to the “LOW” (turtle) position (Figure 26).


Figure 26 – Throttle Position



3. Turn the engine ON/OFF switch to the "OFF" position.
4. ALWAYS point the spray gun in a safe direction, and the squeeze spray gun trigger to release retained high water pressure. Engage the trigger lock when not in use.
5. Turn OFF the water supply.

**IMPORTANT:** The spray gun traps high water pressure, even when the engine is stopped and the water is disconnected.

**⚠ DANGER!**

 **The high pressure stream of water that this equipment produces can cut through skin and its underlying tissues, leading to serious injury, possible amputation or death. Spray gun traps high water pressure, even when engine is stopped and water is disconnected, which can cause injury.**

- Keep the high pressure hose connected to the pump and spray gun while the system is pressurized.
- ALWAYS point the spray gun in a safe direction, squeeze the spray gun trigger to release high pressure every time you stop the engine. Engage the trigger lock when not in use.

# Maintenance

## MAINTENANCE RECOMMENDATIONS

Regular maintenance will improve the performance and extend the life of the power washer. See any qualified dealer for service.

The power washer's warranty does not cover items that have been subjected to operator abuse or negligence. To receive full value from the warranty, the operator must maintain the power washer as instructed in this manual, including proper storage as detailed in Winter Storage and Long Term Storage.

### NOTE:

**Should you have questions about replacing components on your power washer, please call 1-888-436-3722 for assistance.**

Some adjustments will need to be made periodically to properly maintain your power washer.

All service and adjustments should be made at least once each season. Follow the requirements in the Maintenance Schedule chart.

### NOTE:

**Once a year you should clean or replace the spark plug, clean or replace the air filter, and check the spray gun and nozzle extension assembly for wear. A new spark plug and clean air filter assure proper fuel-air mixture and help your engine run better and last longer.**

## MAINTENANCE SCHEDULE

Follow the hourly or calendar intervals, whichever occurs first. More frequent service is required when operating in adverse conditions.

First 5 Hours
Change engine oil
Every 8 Hours or Daily
Check/clean water inlet screen*
Check high pressure hose
Check detergent siphoning hose/filter
Check spray gun and assembly for leaks
Clean debris
Check engine oil level
Check pump oil level
Every 50 Hours or Every Season
Check/clean air cleaner filter**
Change pump oil**
Change engine oil**
Inspect muffler and spark arrester
Every 100 Hours or Every Season
Service spark plug

\* Clean if clogged. Replace if perforated or torn.  
\*\* Service more often under dirty or dusty conditions.

## EMISSIONS CONTROL

**Maintenance, replacement, or repair of the emissions control devices and systems may be performed by any non-road engine repair establishment or individual.** However, to obtain "no charge" emissions control service, the work must be performed by a factory authorized dealer. See the Emissions Warranty.

## POWER WASHER MAINTENANCE

### Clean Debris

Daily or before use, clean accumulated debris from the cleaning system. Keep the linkage, spring and controls clean. Keep the area around and behind the muffler free from any combustible debris. Inspect the cooling air slots and openings on the power washer. These openings must be kept clean and unobstructed.

Power washer parts should be kept clean to reduce the risk of overheating and ignition of accumulated debris.

- Use a damp cloth to wipe exterior surfaces clean.

### NOTE:

**Improper treatment of the power washer can damage it and shorten its life.**

- DO NOT insert any objects through the cooling slots.
- Use a soft bristle brush to loosen caked on dirt, oil, etc.
- Use a vacuum cleaner to pick up loose dirt and debris.


## CHECK AND CLEAN INLET SCREEN

Examine the screen on the pump's water inlet. Clean the screen if it is clogged, or replace the screen if damaged.

## CHECK HIGH PRESSURE HOSES

The high pressure hoses can develop leaks from wear, kinking, or abuse. Inspect the hoses each time before using them. Check for cuts, leaks, abrasions or bulging of cover, damage or movement of couplings. If any of these conditions exist, replace the hose immediately.

### **⚠ DANGER!**

 **The high pressure stream of water that this equipment produces can cut through skin and its underlying tissues, leading to serious injury, possible amputation or death. Spray gun traps high water pressure, even when engine is stopped and water is disconnected, which can cause injury.**

- NEVER repair high pressure hose. Replace it.
- Replacement hose rating MUST meet or exceed maximum pressure rating of unit.

## CHECK DETERGENT SIPHONING TUBE

Examine the filter on the detergent tube and clean it if clogged. The tube should fit tightly on the barbed fitting. Examine the tube for leaks or tears. Replace the filter or tube if either is damaged.



## CHECK SPRAY GUN


Examine the hose connection to the spray gun and make sure it is secure. Test the trigger by pressing the trigger, it "springs back" into place when you release it. Replace the spray gun immediately if it fails to "spring back".

## NOZZLE MAINTENANCE

A pulsing sensation felt while squeezing the spray gun trigger may be caused by excessive pump pressure. The principal cause of excessive pump pressure is a nozzle clogged or restricted with foreign materials, such as dirt, etc. To correct the problem, immediately clean the nozzle following these instructions:

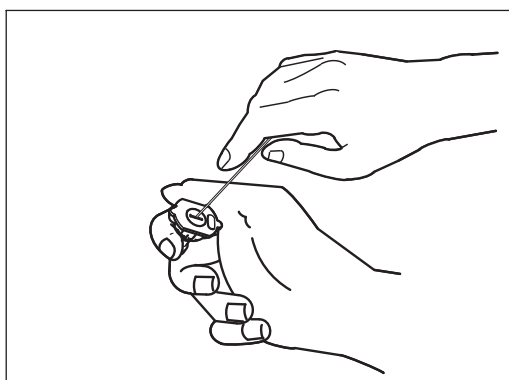
1. Shut off the engine and turn off the water supply.
2. ALWAYS point the spray gun in a safe direction, squeeze the spray gun trigger to release retained high water pressure.

### **⚠ DANGER!**

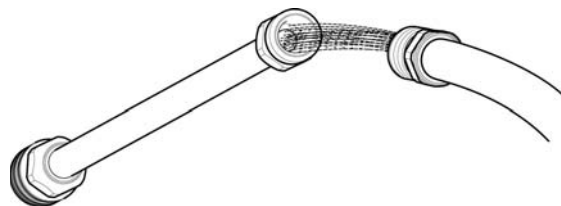
 **The high pressure stream of water that this equipment produces can cut through skin and its underlying tissues, leading to serious injury, possible amputation or death. Spray gun traps high water pressure, even when engine is stopped and water is disconnected, which can cause injury.**

- Keep the high pressure hose connected to the pump and spray gun while the system is pressurized.
  - ALWAYS point the spray gun in a safe direction, and squeeze the spray gun trigger to release high pressure every time you stop the engine. Engage the trigger lock when not in use.
3. Remove the nozzle from the end of nozzle extension.
  4. Use a small paper clip to free any foreign material clogging or restricting the nozzle (Figure 27).
  5. Remove the lance from the spray gun.
  6. Using a garden hose, remove additional debris by back flushing water through the lance (Figure 28) for 30 to 60 seconds.
  7. Reinstall the nozzle into the lance.
  8. Reconnect the lance to the spray gun.
  9. Make sure the garden hose is connected to the pump water inlet. Check that the high pressure hose is connected to the spray gun and pump. Turn on the water.

**Figure 27 – Free Foreign Material**



**Figure 28 – Back Flush Lance**



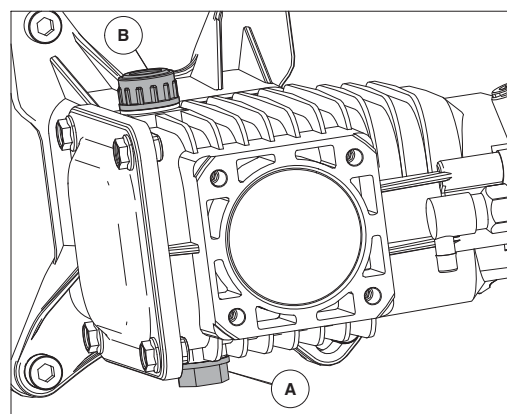
10. Start the engine following the instructions How to Start Your Power Washer.
11. Test the power washer by operating it with each quick connect nozzle.

## PUMP OIL MAINTENANCE

Change pump oil every 50 hours of operation.

1. Clean area around oil drain plug (A).
2. Remove oil drain plug. Drain oil completely.
3. Install oil drain plug. Do not over tighten.
4. Clean Area around oil dipstick (B).
5. Fill pump with SAE 30 non-detergent oil to "Full" mark on dipstick.
6. Install oil dipstick until finger tight.
7. Clean up any spilled oil.

**Figure 29 – Drain Pump Oil**



## ENGINE MAINTENANCE

### **⚠ WARNING!**



**Unintentional sparking can result in fire or electric shock.**

### **WHEN ADJUSTING OR MAKING REPAIRS TO YOUR POWER WASHER:**

- Disconnect the spark plug wire from the spark plug and place the wire where it cannot contact spark plug.

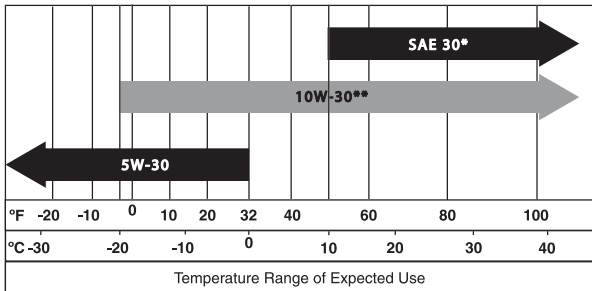
### **WHEN TESTING FOR ENGINE SPARK:**

- Use an approved spark plug tester.
- DO NOT check for spark with spark plug removed.

## ENGINE OIL RECOMMENDATIONS

We recommend the use of high-quality detergent oils acceptable if classified for service SF, SG, SH, SJ or higher. DO NOT use special additives.

Outdoor temperatures determine the proper oil viscosity for the engine. Use the chart to select the best viscosity for the outdoor temperature range expected.



\* Below 50°F (10°C) the use of SAE 30 will result in hard starting.

\*\* Above 80°F (27°C) the use of 10W30 may cause increased oil consumption. Check oil level more frequently.

### NOTE:

Synthetic oil meeting ILSAC GF-2, API certification mark and API service symbol with "SJ/CF ENERGY CONSERVING" or higher, is an acceptable oil at all temperatures. Use of synthetic oil does not alter required oil change intervals.

### NOTE:

The engine is equipped with an "Oil Alert System". This system will automatically stop the engine before the oil level falls below a safe limit. To avoid the inconvenience of an unexpected shutdown, always check the engine oil level before startup.

## CHECKING OIL LEVEL

The oil level should be checked prior to each use or at least every 8 hours of operation. Keep the oil level maintained.

1. Make sure the power washer is on a level surface.
2. Clean area around oil fill cap (Figure 31).
3. Remove oil fill cap and wipe dipstick clean.
4. Insert dipstick into filler neck but do not screw it in.
5. Verify oil is at proper level on the dipstick.
6. Replace and tighten oil fill cap, finger tight.

## ADDING ENGINE OIL

1. Make sure the power washer is on a level surface.
2. Check the oil level as described in Checking Oil Level section.
3. If needed, slowly pour oil into the oil fill opening until the proper level on the dipstick is reached (Figure 31).
4. Verify oil level per the Checking Oil Level section.
5. Replace and tighten the oil fill cap, finger tight.

## CHANGING ENGINE OIL

If you are using your power washer under extremely dirty or dusty conditions, or in extremely hot weather, change the oil more often.

### CAUTION!

**!** Avoid prolonged or repeated skin contact with used motor oil.

- Used motor oil has been shown to cause skin cancer in certain laboratory animals.
- Thoroughly wash exposed areas with soap and water.

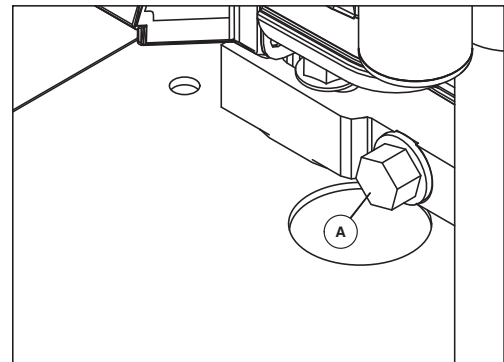
**!** KEEP OUT OF REACH OF CHILDREN.

- Don't pollute. Conserve resources. Return used oil to collection centers.

Change oil while the engine is still warm from running as follows:

1. Make sure the unit is on a level surface.
2. Disconnect the spark plug wire from the spark plug and place the wire where it cannot contact spark plug.
3. Clean the area around the oil drain plug (A) (Figure 30). The oil drain plug is located at the base of the engine, opposite the carburetor.

Figure 30 – Oil Drain Plug



4. Remove the oil fill cap (Figure 31).
5. Remove the oil drain plug and drain oil completely into a suitable container.
6. Reinstall the oil drain plug and tighten securely.

Figure 31 – Fill Engine Oil



7. Slowly pour oil (about 20 oz.) into the oil fill opening to the proper level on the dipstick. DO NOT overfill.
8. Reinstall the oil fill cap. Finger tighten cap securely.
9. Wipe up any spilled oil.
10. Properly dispose of oil in an accordance with all local regulations.

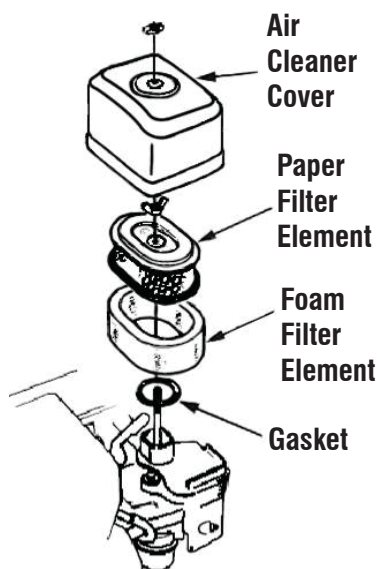
## SERVICE AIR CLEANER

Your engine will not run properly and may be damaged if you run it with a dirty air cleaner. Service more often if operating under dirty or dusty conditions.

To service the air cleaner, follow these steps:

1. Loosen the screw and remove cover (Figure 32).
2. Carefully remove the filter assembly.
3. Remove the foam filter.
4. To clean the cartridge, gently tap it on a flat surface.
5. Reinstall the foam filter.
6. Reinstall a clean or new cartridge assembly.
7. Install the cover and tighten screw securely.

**Figure 32 – Service the Air Cleaner**

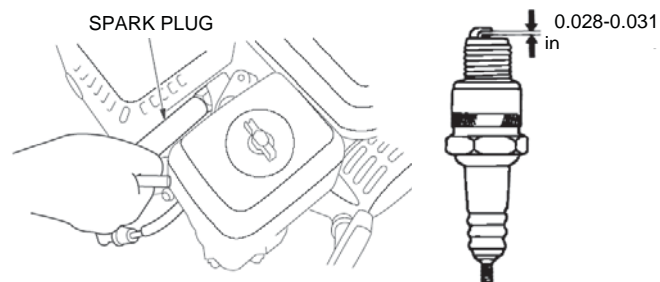


## SERVICE SPARK PLUG

Changing the spark plug will help the engine to start easier and run better.

1. Clean the area around the spark plug.
2. Remove and inspect the spark plug (Figure 33).
3. Check the electrode gap with a wire feeler gauge and reset the spark plug gap to the recommended gap, if necessary (see Specifications).
4. Replace the spark plug if the electrodes are pitted, burned or the porcelain is cracked. Use the recommended replacement plug. See Specifications.
5. Install the spark plug and tighten firmly.

**Figure 33 – Change the Spark Plug**



## INSPECT MUFFLER AND SPARK ARRESTER

Inspect the muffler for cracks, corrosion, or other damage. Remove the spark arrester, if equipped, and inspect it for damage or carbon blockage. If replacement parts are required, make sure to use only original equipment replacement parts.

### ⚠ WARNING!



Contact with muffler area can result in serious burns. Exhaust heat/gases can ignite combustibles, structures or damage fuel tank causing a fire.

- DO NOT touch hot parts and AVOID hot exhaust gases.
  - Allow equipment to cool before touching.
  - Keep at least 5 feet (152 cm) of clearance on all sides of the power washer including overhead.
  - It is a violation of California Public Resource Code, Section 4442, to use or operate the engine on any forest-covered, brush-covered, or grass-covered land unless the exhaust system is equipped with a spark arrester, as defined in Section 4442, maintained in effective working order. Other states or federal jurisdictions may have similar laws.
- Contact the original equipment manufacturer, retailer, or dealer to obtain a spark arrester designed for the exhaust system installed on this engine.
- Replacement parts must be the same and installed in the same position as the original parts.

## AFTER EACH USE

Water should not remain in the unit for long periods of time. Sediments or minerals can deposit on pump parts and freeze pump action. Follow these procedures after every use:

1. Shut off the engine, turn off the water supply, point the gun in a safe direction, and squeeze the trigger to relieve trapped pressure, and let the engine cool.

### ⚠ DANGER!



The high pressure stream of water that this equipment produces can cut through skin and its underlying tissues, leading to serious injury, possible amputation or death. Spray gun traps high water pressure, even when engine is stopped and water is disconnected, which can cause injury.

- Keep the high pressure hose connected to the pump and spray gun while the system is pressurized.

## Maintenance

- ALWAYS point the spray gun in a safe direction, and squeeze the spray gun trigger to release high pressure every time you stop the engine. Engage the trigger lock when not in use.
- 2. Disconnect the hoses from the spray gun and high pressure outlet on the pump. Drain water from the hoses, spray gun, and lance. Use a rag to wipe off the hose.
- 3. Empty the pump of all pumped liquids. Check that the engine ON/OFF switch and fuel valve are in the OFF position. Then pull the recoil handle about six times. This should remove most of the liquid in the pump.
- 4. Store the unit in a clean, dry area.
- 5. If storing for more than 30 days, see the Long Term Storage section.

### **WARNING!**



**Fuel and its vapors are extremely flammable and explosive. Fire or explosion can cause severe burns or death.**

#### **WHEN STORING FUEL OR EQUIPMENT WITH FUEL IN TANK:**

- Store away from furnaces, stoves, water heaters, clothes dryers, or other appliances that have a pilot light or other ignition source because they can ignite fuel vapors.

## WINTER STORAGE

### **NOTE:**

#### **You must protect the unit from freezing temperatures.**

- Failure to do so will permanently damage the pump and render the unit inoperable.
- Freeze damage is not covered under the warranty.

To protect the unit from freezing temperatures:

1. Follow steps 1-3 in the previous section, After Each Use.
2. Use a pump saver to treat pump. This minimizes freeze damage and lubricates the pistons and seals.
3. If a pump saver is not available, connect a 3-foot section of garden hose to the water inlet adapter. Pour RV-antifreeze (antifreeze without alcohol) into the hose. Pull the recoil handle twice. Disconnect the 3-foot hose.
4. Store the unit in a clean, dry area.

## LONG TERM STORAGE

If you do not plan to use the power washer for more than 30 days, you must prepare the engine and pump for long term storage.

### **PROTECT FUEL SYSTEM**

Fuel can become stale when stored for over 30 days. Stale fuel causes acid and gum deposits to form in the fuel system or on essential carburetor parts. To keep the fuel fresh, use a fuel stabilizer, available as a liquid additive or a drip concentrate cartridge.

There is no need to drain the gasoline from the engine if a fuel stabilizer is added according to instructions. Run the engine for 2 minutes to circulate the stabilizer throughout the fuel system. The engine and fuel can then be stored up to 24 months (per fuel stabilizer manufacturer's specifications).

If the gasoline in the engine has not been treated with a fuel stabilizer, it must be drained into an approved container. Run the engine until it stops from lack of fuel. The use of a fuel stabilizer in the storage container is recommended to maintain freshness.

### **CHANGE OIL**

While the engine is still warm, drain the oil from crankcase. Refill with the recommended grade. See Changing Engine Oil in Engine Maintenance.

### **PROTECTING THE PUMP**

To protect the pump from damage caused by mineral deposits or freezing, use PumpSaver, Model 61350, to treat the pump. This prevents freeze damage and lubricates the pistons and seals.

#### **NOTE:**

**PumpSaver is available as an optional accessory. It is not included with the power washer. Contact the nearest authorized service center to purchase PumpSaver.**

#### **NOTE:**

#### **YOU MUST PROTECT YOUR UNIT FROM FREEZING TEMPERATURES.**

- Failure to do so will permanently damage the pump and render the unit inoperable.
- Freeze damage is not covered under warranty.

To use PumpSaver, make sure the power washer is turned off and disconnected from the water supply. Read and follow all the instructions and warnings given on the PumpSaver container.

## OTHER STORAGE INSTRUCTIONS

1. DO NOT store fuel from one season to another unless it has been treated as described in Protect Fuel System.
2. Replace the fuel container if it starts to rust. Rust and/or dirt in fuel can cause problems if it's used with this unit.
3. Cover the unit with a suitable protective cover that does not retain moisture.

### **WARNING!**



#### **Storage covers can be flammable.**

- DO NOT place a storage cover over a hot power washer.
  - Let the equipment cool for a sufficient time before placing the cover on the equipment.
4. Store the unit in a clean, dry area.

## TROUBLESHOOTING GUIDE

PROBLEM	CAUSE	CORRECTION
<b>Pump has following problems: failure to produce pressure, erratic pressure, chattering, loss of pressure, low water volume.</b>	<ol style="list-style-type: none"> <li>1. Low pressure nozzle installed.</li> <li>2. Water inlet is blocked.</li> <li>3. Inadequate water supply.</li> <li>4. Inlet hose is kinked or leaking.</li> <li>5. Clogged inlet hose screen.</li> <li>6. Water supply is over 100°F.</li> <li>7. High pressure hose is blocked or leaks.</li> <li>8. Spray gun leaks.</li> <li>9. Nozzle is obstructed.</li> <li>10. Pump is faulty.</li> </ol>	<ol style="list-style-type: none"> <li>1. Replace with high pressure nozzle.</li> <li>2. Clear inlet.</li> <li>3. Provide adequate water flow.</li> <li>4. Straighten inlet hose, patch leak.</li> <li>5. Check and clean inlet hose screen.</li> <li>6. Provide cooler water supply.</li> <li>7. Clear blocks in outlet hose or replace hose.</li> <li>8. Replace spray gun.</li> <li>9. Clean nozzle.</li> <li>10. Contact local service facility.</li> </ol>
<b>Detergent fails to mix with spray.</b>	<ol style="list-style-type: none"> <li>1. Detergent siphoning tube is not submerged.</li> <li>2. Detergent siphoning tube/filter is clogged or cracked.</li> <li>3. High pressure nozzle installed.</li> </ol>	<ol style="list-style-type: none"> <li>1. Insert detergent siphoning tube into detergent.</li> <li>2. Clean or replace filter/detergent siphoning tube.</li> <li>3. Replace with low pressure nozzle.</li> </ol>
<b>Engine runs well at no-load but "bogs" when load is added.</b>	<ol style="list-style-type: none"> <li>1. Engine speed is too slow.</li> </ol>	<ol style="list-style-type: none"> <li>1. Move throttle control to FAST position. If engine still "bogs down", contact local service facility.</li> </ol>
<b>Engine will not start; or starts and runs rough.</b>	<ol style="list-style-type: none"> <li>1. Low oil level, "Oil Alert System".</li> <li>2. Dirty air cleaner.</li> <li>3. Out of fuel.</li> <li>4. Stale fuel.</li> <li>5. Spark plug wire not connected to spark plug.</li> <li>6. Bad spark plug.</li> <li>7. Water in fuel.</li> <li>8. Excessively rich fuel mixture.</li> </ol>	<ol style="list-style-type: none"> <li>1. Fill crankcase to proper level.</li> <li>2. Clean or replace air cleaner.</li> <li>3. Fill fuel tank.</li> <li>4. Drain fuel tank; fill with fresh fuel.</li> <li>5. Connect wire to spark plug.</li> <li>6. Replace spark plug.</li> <li>7. Drain fuel tank; fill with fresh fuel.</li> <li>8. Contact local service facility.</li> </ol>
<b>Engine shuts down during operation.</b>	<ol style="list-style-type: none"> <li>1. Out of fuel.</li> </ol>	<ol style="list-style-type: none"> <li>1. Fill fuel tank.</li> </ol>
<b>Engine lacks power.</b>	<ol style="list-style-type: none"> <li>1. Dirty air filter.</li> </ol>	<ol style="list-style-type: none"> <li>1. Replace air filter.</li> </ol>

# Warranty

## U.S. EPA EMISSION CONTROL WARRANTY STATEMENT YOUR WARRANTY RIGHTS AND OBLIGATIONS

The United States Environmental Protection Agency (EPA) and Generac Power Systems, Inc. (Generac) are pleased to explain the Emission Control System Warranty (ECS Warranty) on your new 2011 and later equipment. New equipment that use small spark-ignited engines must be designed, built, and equipped to meet stringent anti-smog standards for the federal government. Generac will warrant the emission control system on your equipment for the period of time listed below provided there has been no abuse, neglect, unapproved modification or improper maintenance of your equipment. The emission control system on this equipment includes all components whose failure would increase the emissions of any regulated pollutant. These components are listed in the Emissions Information section of this manual.

### MANUFACTURER'S WARRANTY COVERAGE:

This ECS Warranty is valid for two years, or for the same period as specified in the Generac Limited Warranty, whichever is longer. For equipment with hour meters, the warranty period is a number of hours equal to half the Useful Life to which the equipment is certified, or the warranty period specified above in years, whichever is less. The Useful Life can be found on the Emission Control Label on the engine. If, during such warranty period, any emission-related part on your equipment is found to be defective in materials or workmanship, repairs or replacement will be performed by a Generac Authorized Warranty Service Dealer.

### OWNER'S WARRANTY RESPONSIBILITIES:

As the equipment owner, you are responsible for the completion of all required maintenance as listed in your factory supplied Owner's Manual. For warranty purposes, Generac recommends that you retain all receipts covering maintenance on your generator, but Generac cannot deny warranty solely due to the lack of receipts.

You should be aware that Generac may deny any and/or all warranty coverage or responsibility if your equipment, or a part/component thereof, has failed due to abuse, neglect, improper maintenance, or unapproved modifications.

**You are responsible for contacting a Generac Authorized Warranty Dealer as soon as a problem occurs. The warranty repairs should be completed in a reasonable amount of time, not to exceed 30 days.**

Warranty service can be arranged by contacting either your selling dealer or a Generac Authorized Warranty Service Dealer. To locate the Generac Authorized Warranty Service Dealer nearest you, call our toll free number below, or email [emissions@generac.com](mailto:emissions@generac.com).

**1-800-333-1322**

**IMPORTANT NOTE:** This warranty statement explains your rights and obligations under the Emission Control System Warranty, which is provided to you by Generac pursuant to federal law. See also the "Generac Limited Warranties for Generac Power Systems, Inc.," which is enclosed herewith on a separate sheet, also provided to you by Generac. Note that this warranty shall not apply to any incidental, consequential or indirect damages caused by defects in materials or workmanship or any delay in repair or replacement of the defective part(s). This warranty is in place of all other warranties, expressed or implied. Specifically, Generac makes no other warranties as to the merchantability or fitness for a particular purpose. Any implied warranties which are allowed by law, shall be limited in duration to the terms of the express warranty provided herein. Some states do not allow limitations on how long an implied warranty lasts, so the above limitation may not apply to you.

The ECS Warranty applies only to the emission control system of your new equipment. Both the ECS Warranty and the Generac Warranty describe important rights and obligations with respect to your new engine.

Warranty service can be performed only by a Generac Authorized Warranty Service Facility. When requesting warranty service, evidence must be presented showing the date of the sale to the original purchaser/owner.

If you have any questions regarding your warranty rights and responsibilities, you should contact Generac at the following address:

**ATTENTION WARRANTY DEPARTMENT  
GENERAC POWER SYSTEMS, INC.  
P.O. BOX 297 • WHITEWATER, WI 53190**

Part 1 of 2

Part No. 0J3335 Rev. C 11/11

# Warranty

## EMISSION CONTROL SYSTEM WARRANTY

Emission Control System Warranty (ECS Warranty) for equipment using small spark-ignited engines:

- (a) Applicability: This warranty shall apply to equipment that uses small off-road engines. The ECS Warranty period shall begin on the date the new equipment is purchased by/delivered to its original, end-use purchaser/owner and shall continue for the lesser of:
- (1) The period of time specified in the Generac Limited Warranty enclosed herewith, but not less than 24 months, or
  - (2) For engines equipped with hour meters, a number of operating hours equal to half of the engine's useful life. The useful life is specified on the Emissions Control Label on the engine.
- (b) General Emissions Warranty Coverage: Generac warrants to the original, end-use purchaser/owner of the new engine or equipment and to each subsequent purchaser/owner that the ECS when installed was:
- (1) Designed, built and equipped so as to conform with all applicable regulations; and
  - (2) Free from defects in materials and workmanship which cause the failure of a warranted part at any time during the ECS Warranty Period.
- (c) The warranty on emissions-related parts will be interpreted as follows:
- (1) Any warranted part that is not scheduled for replacement as required maintenance in the Owner's Manual shall be warranted for the ECS Warranty Period. If any such part fails during the ECS Warranty Period, it shall be repaired or replaced by Generac according to Subsection (4) below. Any such part repaired or replaced under the ECS Warranty shall be warranted for the remainder of the ECS Warranty Period.
  - (2) Any warranted part that is scheduled only for regular inspection as specified in the Owner's Manual shall be warranted for the ECS Warranty Period. A statement in the Owner's Manual to the effect of "repair or replace as necessary" shall not reduce the ECS Warranty Period. Any such part repaired or replaced under the ECS Warranty shall be warranted for the remainder of the ECS Warranty Period.
  - (3) Any warranted part that is scheduled for replacement as required maintenance in the Owner's Manual shall be warranted for the period of time prior to first scheduled replacement point for that part. If the part fails prior to the first scheduled replacement, the part shall be repaired or replaced by Generac according to Subsection (4) below. Any such emissions-related part repaired or replaced under the ECS warranty shall be warranted for the remainder of the period prior to the first scheduled replacement point for that part.
  - (4) Repair or replacement of any warranted, emissions-related part under this ECS Warranty shall be performed at no charge to the owner at a Generac Authorized Warranty Service Facility.
  - (5) Notwithstanding the provisions of subsection (4) above, warranty services or repairs must be provided at Generac Authorized Service Facilities.
  - (6) When the engine is inspected by a Generac Authorized Warranty Service Facility, the purchaser/owner shall not be held responsible for diagnostic costs if the repair is deemed warrantable.
  - (7) Throughout the ECS Warranty Period, Generac shall maintain a supply of warranted emission-related parts sufficient to meet the expected demand for such parts.
  - (8) Any Generac authorized and approved emission-related replacement parts may be used in the performance of any ECS Warranty maintenance or repairs and will be provided without charge to the purchaser/owner. Such use shall not reduce Generac's ECS Warranty obligations.
  - (9) No modifications, other than those explicitly approved by Generac, may be made to the generator. Unapproved modifications void this ECS Warranty and shall be sufficient ground for disallowing an ECS Warranty claim.
  - (10) Generac shall not be held liable hereunder for failures of any non-authorized replacement parts, or failures of any authorized parts caused by the use of non-authorized replacement parts.

### EMISSION RELATED PARTS MAY INCLUDE THE FOLLOWING (IF EQUIPPED):

- |                                  |                          |
|----------------------------------|--------------------------|
| 1) FUEL METERING SYSTEM          | 3) IGNITION SYSTEM       |
| A. CARBURETOR AND INTERNAL PARTS | A. SPARK PLUGS           |
| B. FUEL TANK/CAP                 | B. IGNITION COILS/MODULE |
| C. FUEL LINES                    | 4) AIR INJECTION SYSTEM  |
| D. EVAPORATIVE VENT LINES        | A. PULSE AIR VALVE       |
| E. REGULATOR (GASEOUS FUELS)     | 5) EXHAUST SYSTEM        |
| 2) AIR INDUCTION SYSTEM          | A. CATALYST              |
| A. INTAKE MANIFOLD               | B. EXHAUST MANIFOLD      |
| B. AIR FILTER                    |                          |

# Warranty

## GENERAC POWER SYSTEMS “THREE YEAR” LIMITED WARRANTY FOR PROFESSIONAL GRADE POWER WASHERS

For a period of three years from the date of original sale, Generac Power Systems, Inc. (Generac) warrants its Power Washers will be free from defects in materials and workmanship for the items and period set forth below. Generac will, at its option, repair or replace any part which, upon examination, inspection and testing by Generac or a Generac Authorized Warranty Service Dealer, is found to be defective. Repair or replacement pursuant to this limited warranty shall not renew or extend the original warranty period. Any repaired product shall be warranted for the remaining original warranty period only. Any equipment that the purchaser/owner claims to be defective must be returned to and examined by the nearest Generac Authorized Warranty Service Dealer. All transportation costs under the warranty, including return to the factory, are to be borne and prepaid by the purchaser/owner. This warranty applies only to Generac Power Washers and is not transferable from original purchaser. Save your proof-of-purchase receipt. If you do not provide proof of the initial purchase date, the manufacturer's shipping date of the product will be used to determine the warranty period.

### WARRANTY SCHEDULE

Consumer applications are warranted for three (3) years. Commercial and Rental applications are warranted for 90 days.

#### CONSUMER APPLICATION

YEAR ONE AND TWO – Limited comprehensive coverage on Labor and Part(s) (proof of purchase and maintenance is required):

- All Components

YEAR THREE - Limited comprehensive coverage on Part(s) (proof of purchase and maintenance is required):

- Engine only – Major components including: Block, head, crank, cam, rods and pistons.

#### COMMERCIAL/RENTAL APPLICATION

90 day – Limited comprehensive coverage on Labor and Part(s) (proof of purchase and maintenance is required):

- All Components

**NOTE:** For the purpose of this warranty “consumer use” means personal residential household or recreational use by original purchaser. Once a Power Washer has experienced commercial or rental use, it shall thereafter be considered a non-consumer use for the purpose of this warranty.

### GUIDELINES

- The customer is responsible to read and follow all operating instructions.
- Products that are damaged due to improper operation, will not be covered by warranty. This includes water pump components that are started without the required water flow and pressure.
- The customer will be responsible to transport the product to an authorized Generac repair facility for all Warranty repairs.
- Verification of maintenance may be requested for coverage of Warranty Repairs.
- Warranty Labor Rates are based on normal working hours. Additional costs for overtime, holiday or emergency labor costs for repairs outside normal business hours will be the responsibility of the customer.
- Warranty Parts shipment costs are reimbursed at ground shipment rates. Costs related to requests for expedited shipping will be the responsibility of the customer.

### THIS WARRANTY SHALL NOT APPLY TO THE FOLLOWING:

- Generac Power Washers that utilize non-Generac replacement parts.
- Costs of normal maintenance and adjustments.
- Failures caused by any contaminated or improper fuels, oils or lack of proper oil levels, or contaminated water.
- Repairs or diagnostics performed by individuals other than Guardian/Generac authorized dealers not authorized in writing by Generac.
- Failures due, but not limited, to normal wear and tear, accident, misuse, abuse, negligence, improper use, or improper maintenance. As with all mechanical devices, the Generac engines need periodic part(s) service and replacement to perform as designed. This warranty will not cover repair when normal use has exhausted the life of a part(s) or engine.
- Failures caused by any act of God and/or other force majeure events beyond the manufacturer's control.
- Damage related to rodent and/or insect infestation.
- Products that are modified or altered in a manner not authorized by Generac in writing.
- Any incidental, consequential or indirect damages caused by defects in materials or workmanship, or any delay in repair or replacement of the defective part(s).
- Failure due to misapplication.
- Water freezing in the pump (pump must be properly drained at seasons end in freezing climates).
- Expenses related to “customer instruction” or troubleshooting where no manufacturing defect is found.
- Rental equipment used while warranty repairs are being performed.
- Starting batteries, fuses, filters, light bulbs and engine fluids.

THIS WARRANTY IS IN PLACE OF ALL OTHER WARRANTIES, EXPRESSED OR IMPLIED, SPECIFICALLY, GENERAC MAKES NO OTHER WARRANTIES AS TO THE MERCHANTABILITY OR FITNESS FOR A PARTICULAR PURPOSE. Any implied warranties which are allowed by law, shall be limited in duration to the terms of the express warranty provided herein. Some states do not allow limitations on how long an implied warranty lasts, so the above limitation may not apply to purchaser/owner.

GENERAC'S ONLY LIABILITY SHALL BE THE REPAIR OR REPLACEMENT OF PART(S) AS STATED ABOVE. IN NO EVENT SHALL GENERAC BE LIABLE FOR ANY INCIDENTAL, OR CONSEQUENTIAL DAMAGES, EVEN IF SUCH DAMAGES ARE A DIRECT RESULT OF GENERAC'S NEGLIGENCE. Some states do not allow the exclusion or limitation of incidental or consequential damages, so the above limitations may not apply to purchaser/owner. Purchaser/owner agrees to make no claims against Generac based on negligence. This warranty gives purchaser/owner specific legal rights. Purchaser/owner also may have other rights that vary from state to state. Any implied warranties which are allowed by law, shall be limited in duration to the terms of the express warranty provided herein.

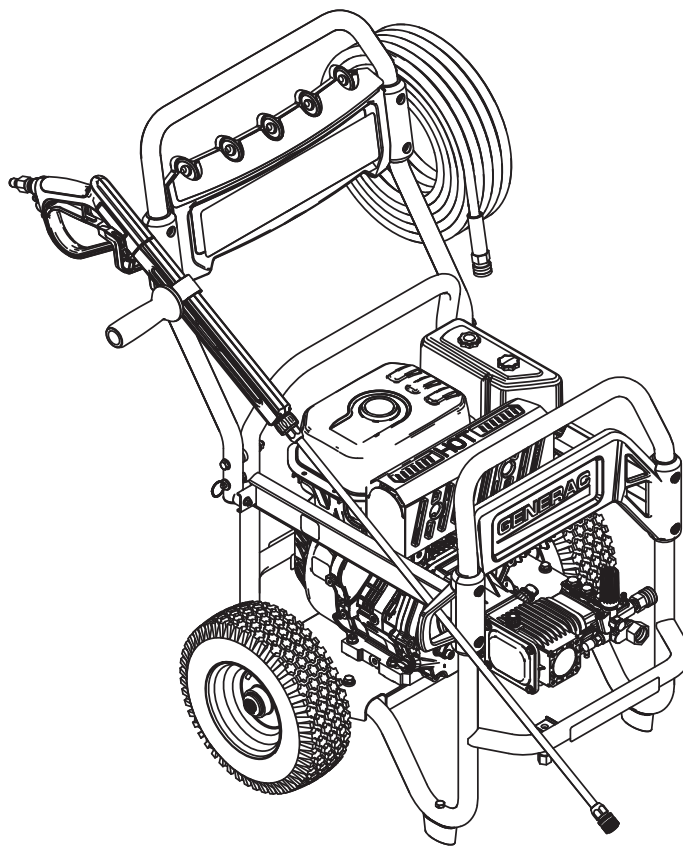
**GENERAC POWER SYSTEMS, INC. • P.O. BOX 8 • Waukesha, WI 53187**  
**Ph: (888) GENERAC (436-3722) • Fax: (262) 544-4851**

To locate the nearest Authorized Dealer and to download schematics, exploded parts views and parts lists visit our website: [www.generac.com](http://www.generac.com)



# Manual del Propietario

## Hidrolavadora



# Contenido

<b>Introducción</b> .....	<b>25</b>	<b>Mantenimiento</b> .....	<b>37</b>
<b>Reglas de Seguridad</b> .....	<b>25</b>	Recomendaciones de mantenimiento .....	37
Símbolos de seguridad y su significado.....	25	Calendario de mantenimiento .....	38
<b>Información general</b> .....	<b>28</b>	Control de emisiones .....	38
Conozca su hidrolavadora .....	28	Mantenimiento de la hidrolavadora .....	38
Especificaciones del producto .....	29	Verifique el estado y limpie el filtro de la toma .....	38
Desembalaje .....	29	Verifique el estado de las mangueras de alta presión .....	38
		Verifique el estado del tubo de descarga de detergente.....	38
		Verifique el estado de la pistola rociadora.....	38
		Mantenimiento de la boquilla .....	38
		Mantenimiento del aceite de la bomba.....	39
		Mantenimiento del motor.....	39
		Recomendaciones sobre el aceite del motor.....	39
		Verificación del nivel de aceite.....	40
		Cómo agregar aceite al motor .....	40
		Cambio del aceite de motor.....	40
		Servicio del filtro de aire.....	41
		Servicio a la bujía .....	41
		Inspección del silenciador y del supresor de chispas .....	41
		Luego de cada uso .....	41
		Almacenamiento en invierno .....	42
		Almacenamiento a largo plazo.....	42
		Protección del sistema de combustible.....	42
		Cambio de aceite .....	42
		Protección de la bomba.....	42
		Otras condiciones de almacenamiento .....	42
<b>Ensamble</b> .....	<b>29</b>	<b>Localización y corrección de fallas</b> .....	<b>43</b>
Ensamble.....	29	Guía de localización y corrección de fallas .....	43
Agregue aceite para motor .....	30		
Compruebe el aceite de la bomba .....	30		
Agregue el combustible.....	31		
Conecte la manguera y el suministro de agua a la bomba .....	31		
Cómo usar las boquillas.....	33		
Limpieza y aplicación de detergente .....	34		
Enjuague de la hidrolavadora.....	34		
Limpieza del tubo de descarga de detergente .....	34		
<b>Operación</b> .....	<b>35</b>		
Operación .....	35		
Ubicación de la hidrolavadora .....	35		
Lista de verificación antes de arrancar el motor.....	35		
Cómo arrancar su hidrolavadora .....	35		
Sistema de enfriamiento automático (alivio térmico).....	37		
Valor de Presión ajustable .....	37		
Cómo detener su hidrolavadora.....	37		
		<b>Garantía</b> .....	<b>44</b>

## INTRODUCCIÓN

Gracias por comprar esta hidrolavadora fabricada por Generac Power Systems, Inc. Este modelo es una hidrolavadora impulsada por motor, enfriada por aire, de alto rendimiento que opera entre 3000 y 4000 psi, dependiendo de qué modelo haya comprado. Estas unidades cuentan con poderosos motores Generac, una bomba triplex con pistones recubiertos con cerámica, una válvula de control a presión, un sistema de alivio térmico automático, una pistola rociadora grado profesional con aislamiento de vibración para fatiga reducida, una lanza de acero inoxidable, boquillas de conexión rápida, manguera de goma de alta presión reforzada con acero inoxidable para una larga duración y máxima flexibilidad y una manguera de descarga de detergente.

**El sentido común y el cumplimiento estricto de estas instrucciones especiales son esenciales para prevenir accidentes.** El operador debe leer este manual y entender en detalle todas las instrucciones y advertencias antes de usar el equipo. Si cualquier parte de este manual no se entiende, contacte al Distribuidor Autorizado más cercano para obtener información sobre los procedimientos de arranque, operación y mantenimiento. El operador es responsable del uso apropiado y seguro del equipo.

La hidrolavadora puede operar de forma segura, eficiente y confiable solamente si se sitúa, opera y mantiene correctamente. Antes de operar, usar o guardar:

- Estudie cuidadosamente todas las advertencias de seguridad en este manual y en el producto.
- Familiarícese con este manual y con la unidad antes de usarla.
- Consulte la sección Ensamble de este manual para obtener instrucciones acerca de los procedimientos de ensamble. Siga todas las instrucciones.

El fabricante no puede anticipar cada circunstancia posible que pueda implicar un riesgo. Las advertencias en este manual, y en las etiquetas y calcomanías en la unidad son, por lo tanto, no exhaustivas. Si usa un procedimiento, método de trabajo o técnica de operación que el fabricante no recomiende específicamente, cerciórese de que es seguro para otros. También asegúrese de que el procedimiento, método de trabajo o técnica de operación utilizada no haga que la hidrolavadora sea insegura.

LA INFORMACIÓN INCLUIDA EN EL PRESENTE SE BASA EN LAS MÁQUINAS EN PRODUCCIÓN A LA HORA DE LA PUBLICACIÓN. GENERAC SE RESERVA EL DERECHO DE MODIFICAR ESTE MANUAL EN CUALQUIER MOMENTO.

**Conserve estas instrucciones para futuras referencias. Si presta este dispositivo a alguien, SIEMPRE entregue también a la persona TODOS los materiales instructivos.**

## DÓNDE NOS ENCUENTRAN

Puede comunicarse con el Servicio al Cliente de Generac al 1-888-436-3722, o en Internet en [www.generac.com](http://www.generac.com). Registre la información importante de la unidad en el siguiente cuadro para futuras referencias y/o solicitudes de servicio.

Número de modelo	
Número de serie	
Fecha de compra	

## REGLAS DE SEGURIDAD

En esta publicación, y en las etiquetas y calcomanías en el generador, los recuadros de PELIGRO, ADVERTENCIA, PRECAUCIÓN y NOTA se utilizan para alertar al personal de instrucciones especiales sobre una operación en particular que pueda ser peligrosa si se realiza incorrecta o negligentemente. Obsérvelos cuidadosamente. Sus definiciones son como sigue:

### ▲ PELIGRO

**Indica una situación o acción peligrosa que, si no se evita, puede ocasionar la muerte o una lesión grave.**

### ▲ ADVERTENCIA

**Indica una situación o acción peligrosa que, si no se evita, podría ocasionar la muerte o una lesión grave.**

### ▲ CUIDADO

**Indica una situación o acción peligrosa que, si no se evita, podría ocasionar una lesión menor o moderada.**

### NOTA:

**Las Notas contienen información adicional importante para un procedimiento y se incluyen dentro del cuerpo del texto de este manual.**

Estas advertencias de seguridad no pueden eliminar los peligros que indican. El sentido común y el estricto cumplimiento con las instrucciones especiales mientras realiza la acción o el servicio son esenciales para la prevención de accidentes.

## SÍMBOLOS DE SEGURIDAD Y SU SIGNIFICADO



Gases tóxicos



Retroceso



Shock eléctrico



Superficie resbaladiza



Caída



Inyección de fluido



Fuego



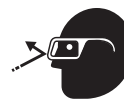
Explosión



Manual del Usuario



Partes móviles



Objetos voladores



Superficie caliente

## Reglas de seguridad

**PELIGRO:** El monóxido de carbono que se genera durante el uso PUEDE MATAR en minutos. NUNCA usar en interiores o áreas cubiertas, INCLUSO SI ventanas y puertas están abiertas. Usar SÓLO al aire libre, y lejos de ventanas, puertas y ventilaciones.



Algunos productos químicos o detergentes pueden ser perjudiciales si se inhalan o ingieren, causando náuseas, desmayos o envenenamiento.

- Operar la hidrolavadora SÓLO al aire libre.

- Un motor en funcionamiento libera monóxido de carbono.
- El monóxido de carbono es un gas venenoso sin color ni aroma. Respirar el monóxido de carbono puede causar dolor de cabeza, fatiga, mareos, vómitos, confusión, convulsiones, náuseas, desmayos, o la muerte. Si experimenta estos síntomas, retírese a un lugar con aire fresco INMEDIATAMENTE. Busque asistencia médica.
- Evite que los gases de escape entren a un área cerrada a través de ventanas, puertas, tomas de ventilación u otras aberturas. Explique a las personas que se encuentren en el interior acerca de los síntomas del monóxido de carbono, para que se retiren al aire fresco si sienten los síntomas.
- Se recomienda el uso de un detector de monóxido de carbono dentro de cualquier lugar entre la hidrolavadora y el ocupante.
- NUNCA encienda el motor en espacios cerrados, INCLUSO SI hay ventanas y puertas abiertas.
- Siempre se debe usar un equipo de respiración o máscara cuando exista la posibilidad de inhalación de gases tóxicos.
- Lea todas las instrucciones del respirador o máscara, de manera de asegurarse que proporcionarán la protección adecuada contra la inhalación de gases y vapores tóxicos. Si comienza a sentir cualquiera de los síntomas del monóxido de carbono enumerados antes, retírese a un lugar con aire fresco INMEDIATAMENTE.

**PELIGRO:** NUNCA apunte la pistola de rociado a personas, animales, dispositivos eléctricos o plantas. Puede causar heridas graves o la muerte. SIEMPRE dirija la pistola rociadora en una dirección segura y apriete el gatillo para descargar la presión, cada vez que pare el motor. Trabe el seguro del gatillo cuando no esté en uso.



- La corriente de agua a alta presión que genera este equipo puede cortar la piel y tejidos subyacentes, causando lesiones graves, posible amputación o muerte. La pistola rociadora contiene agua a alta presión, INCLUSO CON el motor parado y el agua desconectada.

- NUNCA permita que los NIÑOS operen la hidrolavadora o jueguen cerca de ella. NO es un juguete.
- NUNCA repare la manguera de alta presión. Reemplácela.
- NUNCA reparar una fuga en las conexiones con ningún tipo de sellador. Reemplace la junta o el sello.
- NUNCA conecte la manguera de alta presión a la extensión para boquillas.
- Mantenga la manguera de alta presión conectada a la bomba y a la pistola rociadora mientras el sistema se encuentra presurizado.
- NO asegure la pistola rociadora en la posición abierta.
- NO abandone la pistola rociadora cuando la máquina está funcionando.
- NUNCA use una pistola rociadora que no tiene el seguro del gatillo o protección para gatillo en su lugar y en buenas condiciones.
- SIEMPRE debe asegurarse de que la pistola rociadora, las boquillas y demás accesorios están correctamente colocados.

**ADVERTENCIA:** Riesgo de electrocución.



El contacto con la fuente de energía puede causar electroshock o quemaduras.

- NUNCA pulverice cerca de la fuente de energía.

**ADVERTENCIA:** El contacto con la zona del silenciador puede resultar en quemaduras graves. El calor/gases de escape pueden encender combustibles, estructuras o dañar el tanque de combustible, causando un incendio.



- NO toque las superficies calientes y EVITE los gases de escape.
- Deje que el equipo se enfríe antes de tocarlo.
- Deje al menos 5 pies (152 cm) de espacio libre hacia todos los lados, incluida la parte superior.



- Es una violación al Código de Recursos Públicos de California, Sección 4442, utilizar u operar el motor en cualquier área cubierta de bosques, matorrales o hierba, a menos que el sistema de escape esté equipado con un apagachispas, tal como se define en la Sección 4442, mantenido en buenas condiciones de operación. Otros estados o jurisdicciones federales pueden tener leyes similares.

Póngase en contacto con el fabricante de equipos originales, vendedor o distribuidor para obtener un supresor de chispas diseñado para el sistema de escape instalado en este motor.

- Los repuestos deben ser iguales y estar instalados en la misma posición que las piezas originales.

**ADVERTENCIA:** El combustible y sus vapores son extremadamente inflamables y explosivos. Un incendio o explosión pueden causar quemaduras graves o la muerte.



**AL AGREGAR O DRENAR EL COMBUSTIBLE**

- Apague la hidrolavadora y déjela enfriar al menos (2) minutos antes de retirar el tapón de combustible. Afloje el tapón lentamente para aliviar la presión en el tanque.



- Llene o vacíe el tanque de combustible al aire libre.
- NO sobrellene el tanque. Deje espacio para la dilatación del combustible.

- Si se derraman combustible, espere hasta que se evapore antes de arrancar el motor.
- Mantenga el combustible alejado de chispas, llamas, luces piloto, calor y otras fuentes de ignición.
- NO encienda un cigarrillo ni fume.

**ARRANQUE DEL EQUIPO**

- Asegúrese de que la bujía, el silenciador, el tapón de combustible y el filtro de aire están en su lugar.
- NO arranque el motor sin la bujía instalada.

**AL OPERAR EL EQUIPO**

- NO incline el motor o el equipo de manera que pueda derramarse combustible.
- NO pulverice líquidos inflamables.

**AL TRANSPORTAR O REPARAR EL EQUIPO**

- Debe transportar/ reparar el equipo con el tanque de combustible vacío con la válvula de combustible cerrada.
- Desconecte el cable de la bujía.

**AL ALMACENAR COMBUSTIBLE O EQUIPOS CON COMBUSTIBLE EN EL TANQUE**

- Almacenar alejado de calderas, estufas, calentadores de agua, secadoras de ropa u otros aparatos electrodomésticos que posean luz piloto u otras fuentes de ignición, ya que pueden arrancar los vapores del combustible.

**ADVERTENCIA:** La hidrolavadora puede crear charcos y superficies resbalosas mientras está en uso. El retroceso de la pistola rociadora puede provocar una caída.



- Utilizar únicamente sobre una superficie plana.
- El área de limpieza deberá tener inclinaciones y drenajes adecuados para reducir la posibilidad de caídas debido a superficies resbalosas.



- No lo use en superficies elevadas, donde la posibilidad de un contragolpe podría dar lugar a una grave caída.
- Sujete firmemente la pistola rociadora con ambas manos cuando utilice el rociado a alta presión para evitar lesiones cuando la pistola retroceda.

**ADVERTENCIA:** El arrancador y otras piezas que rotan pueden enredar las manos, cabello, ropa o accesorios.



- NUNCA opere la hidrolavadora sin la carcasa o cubierta protectora.
- NO use ropa suelta, joyas o elementos que puedan quedar atrapados en el arranque o en otras partes de rotación.

- Ate el pelo largo y retire las joyas.

**WARNING:** El retroceso del cable de arranque (repliegue rápido) puede causar lesiones corporales. El retroceso tirará de la mano y el brazo hacia el motor más rápido de lo que usted podrá soltarlo. Puede tener como consecuencia huesos rotos, fracturas, moretones y desgarros.



- NUNCA tire del cable de arranque sin antes liberar la presión de la pistola rociadora.
- Para descargar la presión, apunte la pistola hacia una dirección segura y tire del gatillo.
- Cuando arranque el motor, tire lentamente del cable hasta sentir una resistencia y luego tire rápidamente para evitar su retroceso.
- Después de cada intento de arranque en que el motor no encienda, dirija la pistola rociadora hacia una dirección segura y apriete el gatillo para liberar la presión alta.
- Sujete firmemente la pistola rociadora con ambas manos cuando utilice el rociado a alta presión para evitar lesiones cuando la pistola retroceda.

**ADVERTENCIA:** Las chispas no intencionales pueden resultar en un choque eléctrico.



**AL HACER AJUSTES O REPARACIONES A SU HIDROLAVADORA.**

- Desconecte el cable de la bujía y colóquelo donde no puede hacer contacto con la bujía.



**AL PROBAR SI HAY CHISPAS EN EL MOTOR**

- Use un probador aprobado para bujías.
- NO realice la prueba sin la bujía conectada.

**ADVERTENCIA:** Riesgo de lesiones en los ojos. El agua rociada puede salpicar o lanzar objetos.



- Siempre use gafas de seguridad al usar este equipo o cerca de equipos en funcionamiento.
- Antes de arrancar la hidrolavadora, asegúrese de estar usando las gafas de seguridad.
- NUNCA sustituya gafas por gafas de seguridad.

### ADVERTENCIA DE LA PROPOSICIÓN 65 DE CALIFORNIA

El estado de California ha identificado que los gases de escape del motor y algunos de sus compuestos pueden causar cáncer, defectos de nacimiento y otros daños reproductivos.

### ADVERTENCIA DE LA PROPOSICIÓN 65 DE CALIFORNIA

El estado de California ha identificado que este producto contiene o emite sustancias químicas que pueden causar cáncer, defectos de nacimiento y otros daños reproductivos.

### NOTA:

**El aerosol a alta presión puede dañar artículos frágiles como el vidrio.**

- NO apunte la pistola de rociado a vidrio cuando usa la boquilla MAX roja (0°).
- NUNCA apunte la pistola de rociado a personas, animales, dispositivos eléctricos o plantas.

### NOTA:

**El uso inadecuado de la hidrolavadora puede dañarla y acortar su vida útil.**

- Si tiene preguntas acerca del uso previsto, consulte con su proveedor o contacte a un centro de servicio calificado.
- NUNCA opere unidades dañadas o con partes faltantes, o sin cubierta protectora.
- NO omita ningún dispositivo de seguridad en esta máquina.
- NO opere la hidrolavadora por encima de la presión nominal.
- NO modifique la hidrolavadora de ninguna manera.
- Antes de utilizar la hidrolavadora en climas fríos, verifique todas las partes del equipo para asegurarse de que no se ha formado hielo.
- NUNCA mueva la máquina tirando de las mangueras. Use la manija que viene en la unidad.
- Verifique el sistema de combustible en busca de fugas o signos de deterioro, como mangueras desgastadas o porosas, abrazaderas flojas o ausentes, o tanque o tapa dañada. Corrija todos los defectos antes de operar la hidrolavadora.
- Este equipo está diseñado para usarse ÚNICAMENTE con partes Generac autorizadas. Si el equipo se utiliza con partes que NO cumplen con las especificaciones mínimas, el usuario asume todos los riesgos y responsabilidades.

## CONOZCA SU HIDROLAVADORA

Lea este manual del propietario y las reglas de seguridad antes de operar su hidrolavadora de alta potencia.

Si presta este dispositivo a alguien, SIEMPRE entregue también a la persona TODOS los documentos instructivos. Compare las ilustraciones con su lavadora a alta potencia para familiarizarse con la ubicación de los variados controles (Figura 1). Conserve este manual para futuras referencias. En el sitio web de Generac se pueden imprimir manuales del propietario de remplazo.

- A - Pistola rociadora** – Controla la aplicación de agua sobre la superficie a limpiar mediante un dispositivo con gatillo. El gatillo incluye un seguro.
- B - Lanza con conector rápido** – Permite cambiar entre cuatro diferentes boquillas.
- C - Manguera de alta presión** – Conecta un extremo con la bomba de agua y el otro a la pistola rociadora.
- D - Arrancador de retroceso** – Se utiliza para arrancar el motor.
- E - Llenado de aceite** – Verifique y agregue aceite de motor aquí.
- F - Filtro de aire** – Protege el motor al filtrar polvo y suciedad de la toma de aire.
- G - Bomba** – Desarrolla la alta presión.
- H - Válvula de alivio térmico** – Hace circular agua a través de la bomba cuando el agua alcanza los 125°F. El agua tibia se descargará de la bomba al suelo. Esto impide daños internos a la bomba.
- I - Interruptor de encendido/apagado del motor** – Ponga este interruptor en la posición "ON" antes de usar el arrancador de retroceso. Para detener el motor, ponga el interruptor en posición "OFF".
- J - Válvula de control de presión/descarga** – Controla la presión alta de salida.

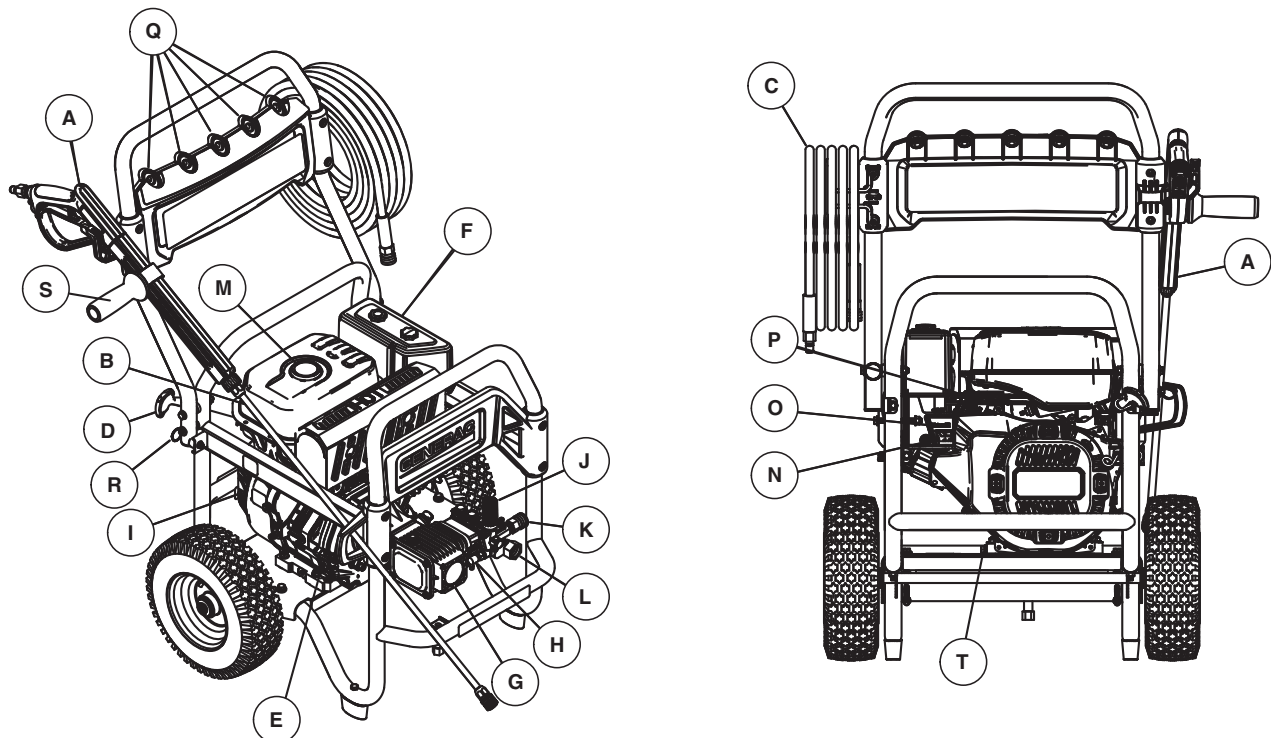
- K - Salida de alta presión** – Conexión para la manguera de alta presión.
- L - Toma de agua** – Conexión para la manguera de jardín.
- M - Tanque de combustible** – Llene el tanque con combustible regular sin plomo. Siempre deje espacio para la dilatación del combustible.
- N - Interruptor de combustible encendido/apagado** – Enciende y apaga el suministro de combustible al motor.
- O - Estrangulador** – Prepara al motor frío para el arranque.
- P - Palanca de admisión de gases** – Aumenta o disminuye la velocidad del motor. El regulador de gases debe estar en su recorrido máximo cuando la hidrolavadora está en uso.
- Q - Boquillas** – Inyección química, 0°, 15°, 25°, 40° (blanco, amarillo, rojo y negro) para variadas aplicaciones de limpieza a alta presión.
- R - Horquilla de tiro** – Tira del anillo para desbloquear la manija. Esto permite que la manija se colapse para su almacenamiento.
- S - Manija lateral ajustable** – Se ajusta girando hacia la izquierda para aflojar, se ajusta a una posición cómoda y se aprieta girando hacia la derecha. Esto permite una sujeción firme para la operación de la pistola rociadora.
- T - Drenaje de aceite** – Drena el aceite del motor aquí.

### ARTÍCULOS QUE NO SE MUESTRAN

**Etiqueta de identificación (cerca de la parte posterior de la placa base)** – Indica el modelo y número de serie de la hidrolavadora. Téngalos a mano si llama para solicitar asistencia.

**Tubo/filtro de descarga de detergente** – Se usa para enviar el detergente de la hidrolavadora a la corriente de baja presión.

Figure 1 – Features & Controls



## ESPECIFICACIONES DEL PRODUCTO

Presión - (PSI / BAR)	3000 / 207	3300 / 228	4000 / 276
Tasa de flujo - (GPM / LPM)	2.8 / 10.6	3.2 / 12.1	4.0 / 15.1
Temperatura del agua de entrada - (°F / C°)	100 / 38 Máx		
Longitud de la manguera - (pies / metros)	35 / 10.7		50 / 15.2
Boquillas - Número por unidad	5		
Longitud de la lanza (pulgadas / cm)	20 / 51	33 / 84	33 / 84
Pistola	Profesional		
Desplazamiento del motor - (pulgadas cúbicas / cc)	12.9 / 212	18.4 / 302	25.6 / 420
Tipo de bujía	F7RTC o equivalente		
Espaciamiento de la bujía - (pulgadas / mm)	0.028-0.031/0.70-0.80		
Capacidad total - (cuartos / litros)	3.2 / 3.0	4.9 / 4.63	6.3 / 6.0
Capacidad de aceite del motor - (onzas / litros)	20 / 0.6	37 / 1.1	37 / 1.1
Sistema de apagado por bajo nivel de aceite	Sí		
Interruptor On/Off	Sí		

## DESEMBALAJE

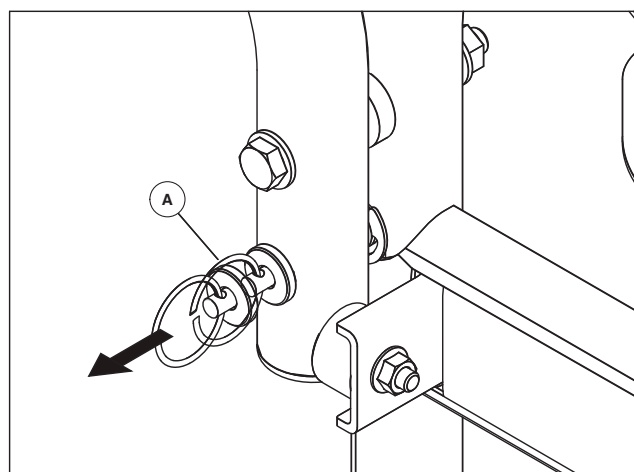
1. Retire las bolsas de las partes, accesorios e insertos que se incluyen con la hidrolavadora.
2. Abra la caja de cartón cortando las esquinas de arriba a abajo.
3. Asegúrese de que están todos los artículos que se incluyen antes del ensamble.
  - Unidad principal
  - Manguera de alta presión
  - Manguera de succión y filtro
  - Pistola pulverizadora
  - Lanza con junta de conexión rápida
  - Botella de aceite
  - Bolsa de partes (que incluye lo siguiente):
    - ~ Gancho para manguera con tornillos y llave Allen
    - ~ Manual del Propietario
    - ~ Tarjeta de registro del propietario
    - ~ Bolsa conteniendo boquillas codificadas por color
    - ~ Filter Screen
4. Si faltara algún artículo de su caja, contacte al Servicio al Cliente de Generac al 1-888-436-3722. Cuando llame para solicitar asistencia, tenga a mano los números de modelo y de serie que se encuentran en la etiqueta de datos.
5. Complete y envíe la tarjeta de registro. Escriba el número de modelo, número de serie y fecha de compra en la tabla que aparece en la sección "Dónde nos encuentran".

## ENSAMBLE

Lea todo el manual del usuario antes de realizar el ensamble o si tiene problemas con el ensamble de su hidrolavadora, contacte al Servicio al Cliente de Generac al 1-888-436-3722. Cuando llame para solicitar asistencia, tenga a mano los números de modelo y de serie que se encuentran en la etiqueta de datos.

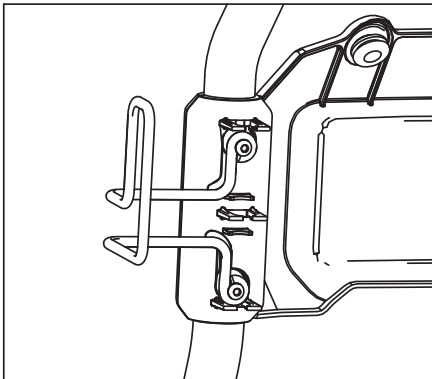
1. La manija puede ser doblada o bloqueada en posición usando la horquilla de tiro integrada.

**Figura 2 – Enganchar la agarradera**



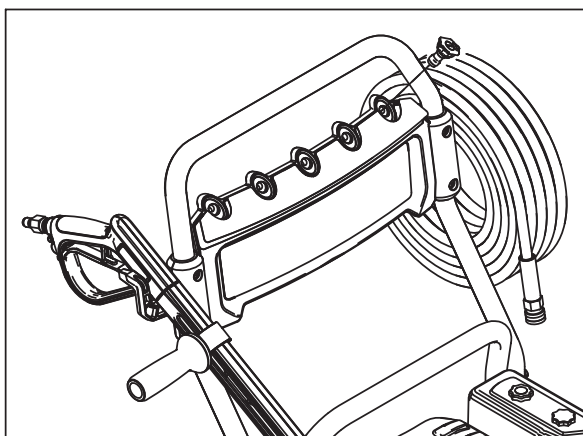
2. Instale el gancho para manguera usando los tornillos y la llave allen provistos (Figura 3).

**Figura 3 – Instalar el gancho para la manguera**



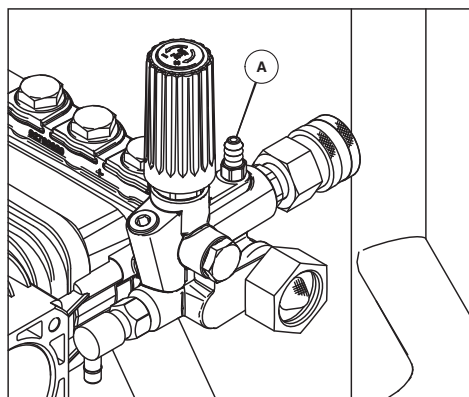
3. Inserte las boquillas codificadas con colores en los espacios dispuestos para ello en la agarradera (Figura 4).
4. Coloque la pistola rociadora y la boquilla de extensión en el soporte para la pistola como se muestra (Figura 4).

**Figura 4 – Inserte las boquillas**



5. Enrolle la manguera de lata presión y cuélguela en el gancho.
6. Sujete el tubo de succión en el punto A (Figura 5).

**Figure 5 – Ubicación del tubo de succión**



## AGREGUE ACEITE PARA MOTOR

1. Coloque la hidrolavadora en una superficie lisa.
2. Limpie el área alrededor del área de llenado de aceite y retire la tapa anaranjada/varilla.
3. Con un embudo para aceite (opcional), vierta lentamente el contenido de la botella de aceite en la abertura de llenado de aceite. Consulte la sección Mantenimiento para obtener recomendaciones acerca del tipo de aceite.

**NOTA:**

**En algunas unidades hay más de un punto para llenado de aceite. En estos casos, sólo es necesario usar uno de los puntos para llenado de aceite.**

4. Verifique periódicamente hasta que se alcance la marca de LLENADO TOTAL. NO SOBRELLENE

**NOTA:**

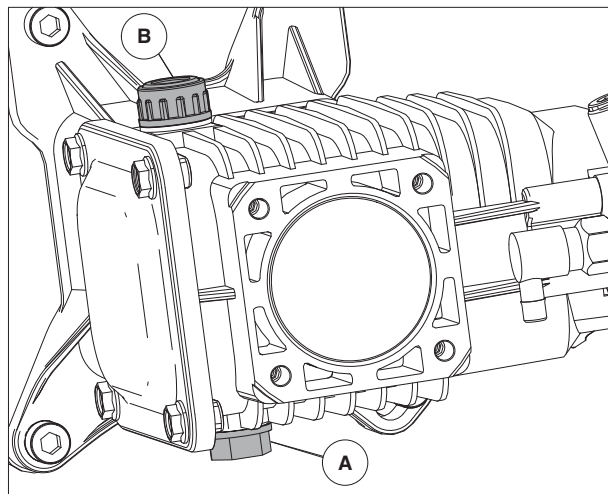
**Cualquier intento de arrancar el motor antes de que se le haya dado servicio apropiado con el aceite recomendado puede traer como resultado una falla del motor.**

5. Reemplace la tapa/varilla de la boca para llenado de aceite y apretar.

## COMPRUEBE EL ACEITE DE LA BOMBA

1. Coloque la hidrolavadora en una superficie lisa.
2. Limpie el área alrededor del área de llenado de aceite y retire la tapa del respiradero/varilla de aceite. (B) (Figura 6).
3. Compruebe que el nivel del aceite esté arriba de la marca "Full-" en la varilla. Si se necesita aceite, vea la sección Mantenimiento. NO SOBRELLENE.
4. Ver la sección Mantenimiento para información adicional sobre el mantenimiento del aceite de la bomba.
5. Reemplace la tapa/varilla de la boca para llenado de aceite y apretar.

**Figura 6 – Compruebe el aceite de la bomba**





## AGREGUE EL COMBUSTIBLE

El combustible debe cumplir con los siguientes requisitos:

- Gasolina limpia, fresca y sin plomo.
- Un octanaje mínimo de 87/87 AKI (RON 91).
- Es aceptable la gasolina con hasta un 10% de etanol.

**NOTA:**

**Evite daños a la hidrolavadora. No seguir las recomendaciones acerca del combustible que aparecen en el Manual del Propietario anulará la garantía.**

- NO use gasolina no aprobada, como la E85.
- NO mezcle aceite en la gasolina.
- NO modifique el motor para que funcione con combustibles alternativos.

Para proteger al sistema de combustible de la gelificación, mezcle un estabilizante al agregar el combustible. Vea Almacenamiento No todos los combustibles son iguales. Si tiene problemas con el arranque o de desempeño luego de usar un combustible, cambie a un proveedor o marca diferente.

**⚠ ADVERTENCIA**

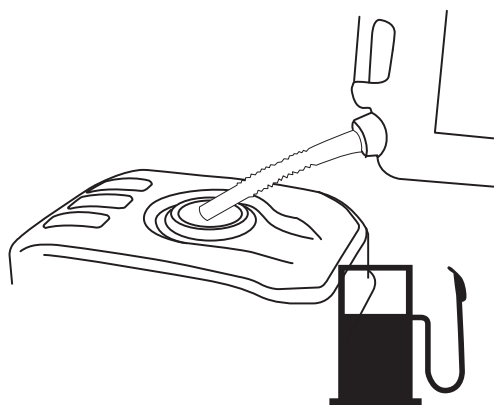


**El combustible y sus vapores son extremadamente inflamables y explosivos. Un incendio o explosión pueden causar quemaduras graves o la muerte.**

### AL AGREGAR COMBUSTIBLE

- Apague la hidrolavadora y déjela enfriar al menos (2) minutos antes de retirar el tapón de combustible. Afloje el tapón lentamente para aliviar la presión en el tanque.
  - Llene el tanque de combustible al aire libre.
  - NO sobrellene el tanque. Deje espacio para la dilatación del combustible.
  - Si se derraman combustible, espere hasta que se evapore antes de arrancar el motor.
  - Mantenga el combustible alejado de chispas, llamas, luces piloto, calor y otras fuentes de ignición.
  - NO encienda un cigarrillo ni fume.
1. Limpie el área alrededor del tapón de combustible, retire el tapón.
  2. Agregue combustible regular sin plomo en el tanque de combustible lentamente. Tenga cuidado de no sobrellenarlo. Llene hasta la parte inferior del filtro, esto permitirá la expansión del combustible (Figura 7).
  3. Coloque el tapón de combustible y deje que se evapore el combustible derramado antes de arrancar el motor.

**Figura 7 – Agregado de combustible**



## CONECTE LA MANGUERA Y EL SUMINISTRO DE AGUA A LA BOMBA

**NOTA:**

**NO encienda la bomba si el suministro de agua no está conectado y encendido. Los daños a consecuencia del incumplimiento de estas instrucciones anulará la garantía**

**NOTA:**

**Retire y deseche la tapa de embarque de la entrada de agua de la bomba antes de conectar la manguera.**

1. Deje correr agua por su manguera de jardín durante al menos 30 segundos para limpiar restos de suciedad.
2. Antes de conectar la manguera de jardín a la toma de entrada, inspeccione el filtro de toma (A) (Figure 8). The cone should face outward. Limpie la pantalla si contiene suciedad, o reemplácela si está dañada. NO encienda la hidrolavadora si el filtro de toma está dañado.

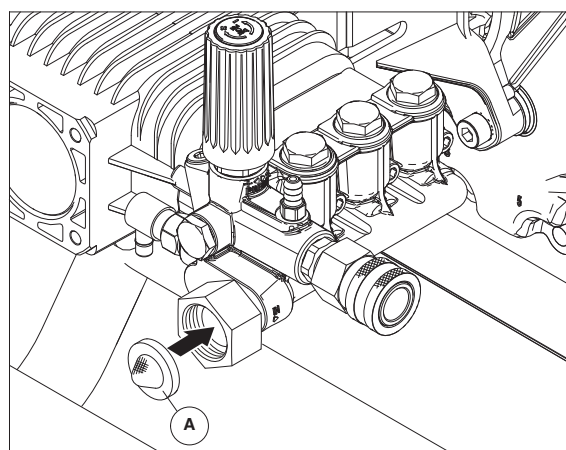
**IMPORTANTE:** NO succione agua estancada para suministrar agua. SÓLO use agua fría (menos de 100°F). El suministro de agua debe ser adecuado para manejar más de 3.8 galones por minuto y no menos de 30 psi.

**NOTA:**

**El uso de una válvula de una vía (interruptor de vacío o válvula de retención) en la toma de la bomba puede causar daños en la bomba o en el conector de entrada.**

- DEBE haber al menos diez pies de manguera de jardín libre entre la toma de agua de la hidrolavadora y cualquier dispositivo, como un interruptor de vacío o válvula de retención.
- Los daños a consecuencia del incumplimiento de estas instrucciones anulará la garantía

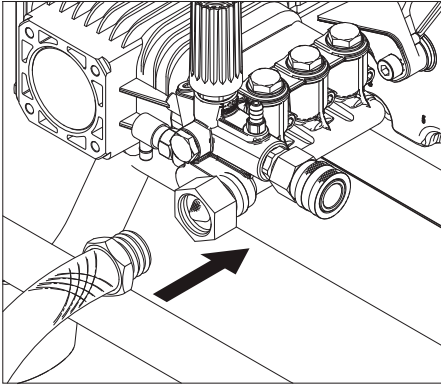
**Figura 8 – Inspeccione el filtro de la toma**



3. Conectar la manguera de jardín (que no exceda los 50 pies de largo) a la toma de agua (Figura 9). Ajustela manualmente.

# Ensamble

**Figura 9 – Conectar la manguera de jardín**

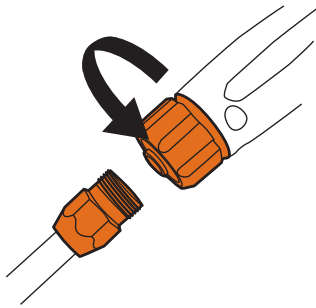


## ⚠ ADVERTENCIA

 **Riesgo de lesiones en los ojos. El agua rociada puede salpicar o lanzar objetos.**

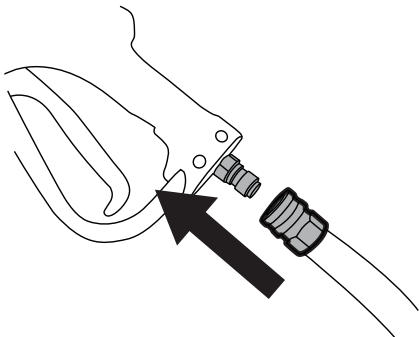
- Siempre use gafas de seguridad al usar este equipo o cerca de equipos en funcionamiento.
  - Antes de arrancar la hidrolavadora, asegúrese de estar usando las gafas de seguridad.
  - NUNCA sustituya gafas por gafas de seguridad.
4. Conecte la lanza a la pistola rociadora (Figura 10). Ajústela manualmente.

**Figura 10 – Enganchar la lanza**



5. Enganche el extremo de la manguera de alta presión a la base de la pistola rociadora (Figura 11).

**Figura 11 – Conecte la manguera a la pistola rociadora**



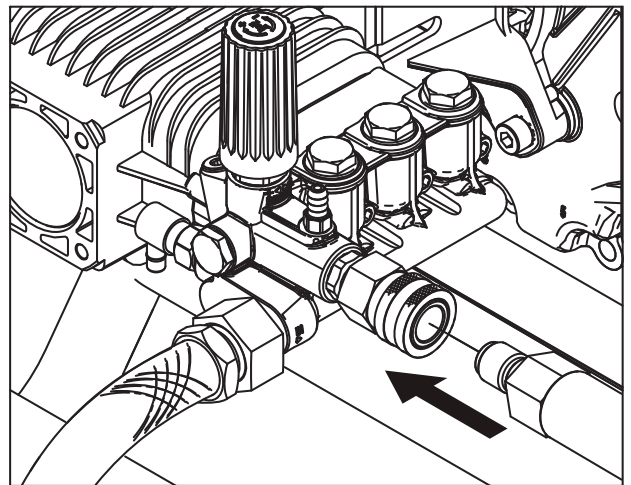
## ⚠ PELIGRO



**La corriente de agua a alta presión que genera este equipo puede cortar la piel y tejidos subyacentes, causando lesiones graves, posible amputación o muerte. La pistola rociadora contiene agua a alta presión, incluso con el motor parado y el agua desconectada.**

- NUNCA conecte la manguera de alta presión a la lanza.
  - Mantenga la manguera de alta presión conectada a la bomba y a la pistola rociadora mientras el sistema se encuentra presurizado.
  - Siempre debe asegurarse de que la pistola rociadora, las boquillas y demás accesorios están correctamente colocados.
6. Conecte la manguera de alta presión a la bomba (desenrolle la manguera antes de conectarla a la bomba o a la pistola rociadora) (Figura 12).

**Figura 12 – Conecte la manguera de alta presión a la bomba**



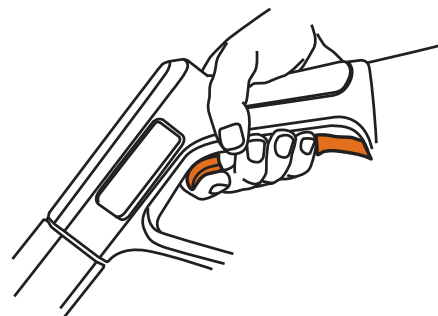
7. ENCIENDA el suministro de agua, aprete el gatillo para purgar el sistema de bombeo de aire (Figura 13).

## ⚠ CUIDADO



**La manguera puede ser dañado si se entra en contacto con el motor caliente o el silenciador.**

**Figura 13 – Apriete el gatillo**




## CÓMO USAR LAS BOQUILLAS

La conexión rápida sobre la lanza de la boquilla le permite cambiar entre distintas boquillas. Se puede cambiar de boquilla mientras la hidrolavadora está funcionando, una vez se haya trabado el gatillo de la pistola rociadora en la posición segura. Las boquillas modifican la presión y el patrón de rociado como se muestra.

- Para una limpieza más efectiva, mantenga la boquilla de 8 a 24 pulgadas (20 a 61 cm) lejos de la superficie a ser limpiada.
- Si mantiene la boquilla muy cerca, especialmente si se trata de una boquilla de alta presión, puede dañar la superficie a limpiar.

### ⚠ PELIGRO

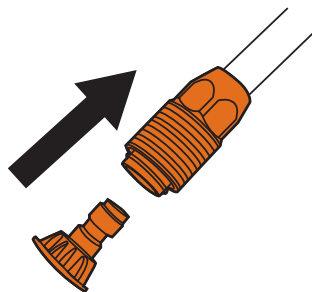
 **La corriente de agua a alta presión que genera este equipo puede cortar la piel y tejidos subyacentes, causando lesiones graves, posible amputación o muerte. La pistola rociadora contiene agua a alta presión, incluso con el motor parado y el agua desconectada.**

- NUNCA intercambie boquillas sin que el gatillo esté bloqueado en la pistola rociadora.
- NO tuerza la boquilla mientras esté rociando.

Siga estas instrucciones para cambiar las boquillas:

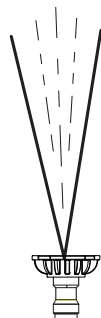
1. Tire del anillo de conexión rápida y retire la boquilla. Almacene las boquillas en el soporte de almacenamiento de accesorios (Figura 14).

**Figura 14 – Boquillas**



2. Seleccione la boquilla deseada:
  3. Tire del anillo, inserte la nueva boquilla y suelte el anillo. Tire de la boquilla para asegurarse de que está bien montada.
- Para enjuagues delicados (presión más baja y mayor flujo), limpieza de autos/camiones, botes, caravanas, muebles de patio, equipo para césped, etc., seleccione la BOQUILLA BLANCA. (Figura 15).

**Figura 15 – Boquilla de baja presión (blanca)**



- Para lavado general (de media presión y caudal medio), ideal para todo tipo de limpiezas, como fachadas, patios de ladrillo, cubiertas de madera, entradas, aceras, pisos de garaje, etc., seleccione la BOQUILLA AMARILLA. (Figura 16).

**Figura 16 – Boquilla de media presión (amarilla)**



- Para enjuague profundo (presión más alta y flujo más bajo), para superficies rebeldes o de difícil acceso como superficies en segundo piso, remoción de pintura, manchas de aceite, eliminación de óxido u otras sustancias difíciles (alquitrán, resina, grasa, cera, etc.), seleccione la BOQUILLA ROJA. (Figura 17).

### ⚠ CUIDADO

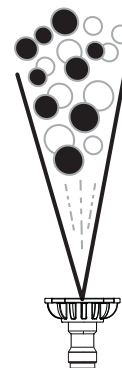
**⚠ Esta punta (boquilla roja) puede dañar la superficie de trabajo si se coloca muy cerca de la misma o si se mantiene en la misma posición por mucho tiempo.**

**Figura 17 – Boquilla de máxima presión (roja)**



- Use la BOQUILLA NEGRA cuando aplique detergente (Figura 18). Sólo use detergentes/jabones seguros para la hidrolavadora, para ayudar con la eliminación de suciedad y mugre de una variedad de superficies.

**Figura 18 – Boquilla de detergente (negra)**



## LIMPIEZA Y APLICACIÓN DE DETERGENTE

### ⚠ CUIDADO

#### ⚠ Los productos químicos pueden causar lesiones en el cuerpo y/o a la propiedad.

- NUNCA use líquido cáustico con la hidrolavadora.
- SÓLO use detergentes/jabones seguros para hidrolavadora. Siga todas las instrucciones de los fabricantes.

Para aplicar detergente, siga estos pasos:

1. Lea nuevamente cómo usar apropiadamente las boquillas.
2. Prepare la solución de detergente según lo requiera el trabajo dentro de un recipiente ubicado en la proximidad del tubo de succión.
3. Asegúrese de que el tubo de descarga esté completamente sumergido en el detergente.

#### NOTA:

**Asegúrese de que filtro permanece completamente sumergido en el detergente durante su aplicación.**

#### NOTA:

**El contacto con el silenciador caliente puede dañar el tubo de descarga de detergente.**

- Al colocar el tubo en la botella de la solución de detergente, dirija el tubo de manera que no toque el silenciador caliente.
7. Asegúrese de que la boquilla negra de detergente se encuentra instalada.

#### NOTA:

**El detergente no se puede aplicar con las boquillas de alta presión (amarilla, blanca, verde o roja). Sólo debe usar la boquilla negra con el detergente.**

8. Asegúrese de seguir todas las instrucciones.

#### NOTA:

**Debe colocar todas las mangueras antes de arrancar el motor.**

- Encender el motor sin que estén todas las boquillas conectadas y sin el suministro de agua encendido puede dañar la bomba.
  - Los daños al equipo a consecuencia del incumplimiento de estas instrucciones anulará la garantía.
9. Encienda el motor siguiendo las instrucciones Cómo arrancar su hidrolavadora.
  10. Aplique el detergente sobre la superficie seca, comenzando en la parte inferior de la misma y dirigiéndose hacia arriba utilizando movimientos largos, parejos y superpuestos.
  11. Permita que el detergente "penetre" de 3 a 5 minutos antes de lavar y enjuagar. Aplique nuevamente según sea necesario para impedir que la superficie se seque. NO permita que el detergente se seque sobre la superficie a limpiar (podría quedar con manchas).

**IMPORTANTE:** Usted deberá lavar el sistema de inyección de detergente después de cada uso colocando el filtro en un balde de agua limpia y haciendo funcionar la hidrolavadora a baja presión durante 1-2 minutos.

## ENJUAGUE DE LA HIDROLAVADORA

1. Retire la boquilla de detergente negra de la lanza.
2. Elija e instale la boquilla de alta presión deseada siguiendo las instrucciones en Cómo usar las boquillas
3. Dirija la pistola rociadora en una dirección segura y lejos de personas, animales y plantas. Apriete el gatillo para que se elimine cualquier resto de producto químico del sistema.
4. Mantenga la pistola rociadora a una distancia segura de la superficie que desea pulverizar.

### ⚠ ADVERTENCIA



**El retroceso de la pistola rociadora puede provocar una caída.**

- Utilizar únicamente sobre una superficie plana.
  - No utilizar sobre superficies elevadas para prevenir el riesgo de una caída seria.
  - Sujete firmemente la pistola rociadora con ambas manos cuando utilice el rociado a alta presión para evitar lesiones cuando la pistola retroceda.
5. Aplique un rociado de alta presión en un área pequeña, después revise si la superficie sufrió daños. Si no hay daños, puede asumir que es seguro continuar con el lavado.
  6. Comience por la parte superior de la superficie que va a enjuagar, dirigiéndose hacia abajo con los mismos movimientos superpuestos que utilizó para la limpieza.

## LIMPIEZA DEL TUBO DE DESCARGA DE DETERGENTE

Si usó el tubo de descarga de detergente, debe lavarlo con agua limpia antes de parar el motor.

1. Coloque el tubo de descarga de detergente/filtro en un balde con agua limpia.
2. Quite la boquilla de alta presión de la extensión para boquilla.
3. Elija e instale la boquilla negra de alta presión siguiendo las instrucciones en Cómo usar las boquillas.
4. Enjuague durante 1 a 2 minutos.
5. Apague el motor siguiendo las instrucciones Cómo detener la hidrolavadora y corte del suministro de agua.
6. SIEMPRE dirija la pistola rociadora en una dirección segura, apriete el gatillo para descargar el agua a alta presión. Trabe el seguro del gatillo cuando no esté en uso.

**IMPORTANTE:** La pistola rociadora contiene agua a alta presión, incluso con el motor parado y el agua desconectada.

### ⚠ PELIGRO



**La corriente de agua a alta presión que genera este equipo puede cortar la piel y tejidos subyacentes, causando lesiones graves, posible amputación o muerte. La pistola rociadora contiene agua a alta presión, incluso con el motor parado y el agua desconectada, lo que puede causar lesiones.**

- Mantenga la manguera de alta presión conectada a la bomba y a la pistola rociadora mientras el sistema se encuentra presurizado.
- SIEMPRE dirija la pistola rociadora en una dirección segura y apriete el gatillo para descargar la presión, cada vez que pare el motor. Trabe el seguro del gatillo cuando no esté en uso.

## OPERACIÓN

Si tiene problemas durante la operación de su hidrolavadora, llame al Servicio de Atención al Cliente de Generac al 1-888-436-3722.

## UBICACIÓN DE LA HIDROLAVADORA

### Espacios libres y movimiento de aire

#### ⚠ PELIGRO

**PELIGRO:** El monóxido de carbono que se genera durante el uso PUEDE MATAR en minutos. NUNCA usar en interiores o áreas cubiertas, INCLUSO SI ventanas y puertas están abiertas. Usar SÓLO al aire libre, y lejos de ventanas, puertas y ventilaciones.

#### NOTA:

Para obtener más información, consulte las precauciones acerca del monóxido de carbono en la sección Reglas de Seguridad.

Coloque la hidrolavadora al aire libre, en una zona en la que no se acumulen los gases de escape tóxicos. NUNCA coloque la hidrolavadora en un lugar en que los gases de escape se puedan acumular o entrar en un edificio que pueda estar ocupado. Asegúrese de que los gases de escape se mantienen lejos de ventanas, puertas, tomas de aire de ventilación u otras aberturas que puede permitir que los gases de escape se acumulen en un espacio cerrado. Los vientos y las corrientes de aire se deben tomar en cuenta en la posición de la hidrolavadora (Figura 19).

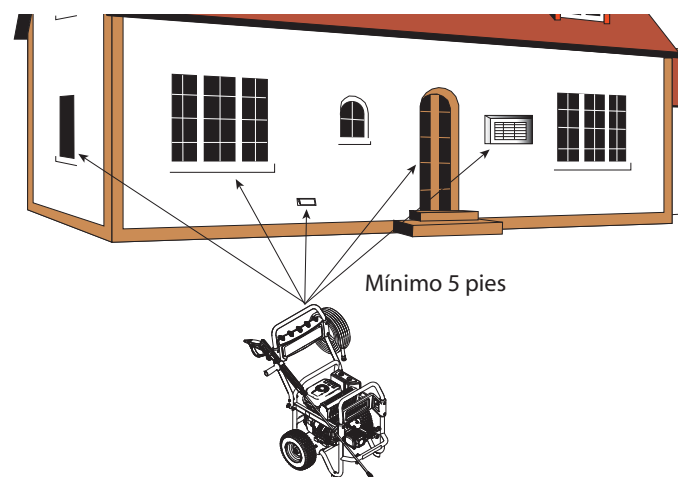
- Operar la hidrolavadora SÓLO al aire libre.
- Evite que los gases de escape entren a un área cerrada a través de ventanas, puertas, tomas de ventilación u otras aberturas.
- NUNCA encienda el motor en espacios cerrados, INCLUSO Si hay ventanas y puertas abiertas.

#### ⚠ ADVERTENCIA

**El calor/gases de escape puede encender combustibles, estructuras o dañar el tanque de combustible, causando un incendio.**

- Mantenga al menos 5 pies. (152 cm) de espacio libre en todos los lados de la hidrolavadora, incluida la parte superior.

Figura 19 - Espacios libres



## LISTA DE VERIFICACIÓN ANTES DE ARRANCAR EL MOTOR

1. Asegúrese de leer y comprender la sección Seguridad del Propietario y la sección Operación antes de usar su hidrolavadora.
2. Revise que el aceite está en el nivel adecuado en el cárter del motor y que el combustible se ha agregado al tanque de combustible.
3. Revise el ensamble de la unidad y asegúrese de que las juntas se fijan correctamente. También asegúrese de que no existen dobleces, cortes o daños a la manguera de alta presión.
4. Proporcione el suministro de agua adecuado con el flujo adecuado, quite la suciedad de los filtros y verifique la purga del aire del sistema.
5. Asegúrese de que la unidad está segura a nivel del suelo y que el área de trabajo está despejada.

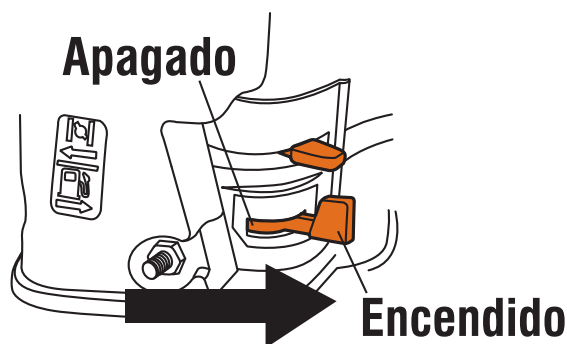
## CÓMO ARRANCAR SU HIDROLAVADORA

#### NOTA:

**NO encienda la bomba si el suministro de agua no está conectado y encendido. Los daños al equipo a consecuencia del incumplimiento de estas instrucciones anulará la garantía.**

1. Lleve la palanca de la válvula de combustible a la posición ON (Figura 20).

Figura 20 - Válvula de combustible

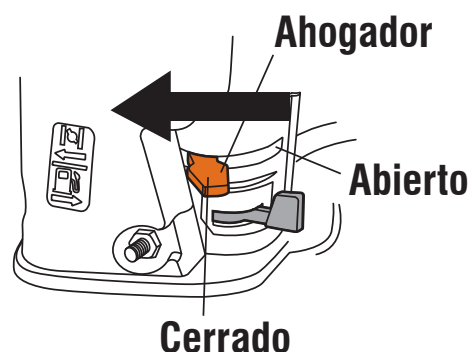


2. Lleve la palanca de la válvula de combustible a la posición "CLOSE" (Figura 21).

#### NOTA:

Si el motor está caliente, asegúrese de que la palanca del obturador esté en la posición "ABIERTO".

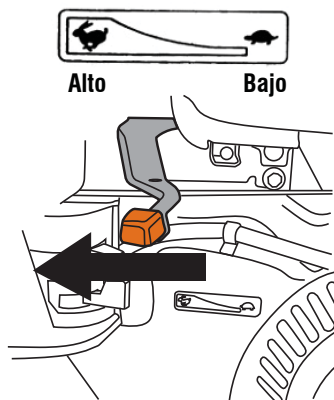
Figura 21 - Palanca del obturador



## Operación

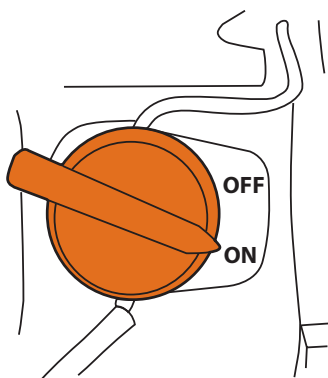
3. Mueva la palanca de control del obturador a la posición "ALTA", que se muestra en el motor como un conejo (Figura 22).

Figura 22 – Control del obturador



4. Gire el interruptor del motor a la posición "ON" (Figura 23).

Figure 23 – Posición ON




**IMPORTANTE:** Antes de arrancar la hidrolavadora, asegúrese de estar usando las gafas de seguridad.

### ⚠ ADVERTENCIA

 **Riesgo de lesiones en los ojos. El agua rociada puede salpicar o lanzar objetos.**

- Siempre use gafas de seguridad al usar este equipo o cerca de equipos en funcionamiento.
  - Antes de arrancar la hidrolavadora, asegúrese de estar usando las gafas de seguridad.
  - NUNCA sustituya gafas por gafas de seguridad.
5. Coloque el pie en la base o asegure la unidad de otra manera para evitar que se mueva durante el retroceso.
  6. Al arrancar el motor, sostenga la palanca de arranque (Figura 24) y tire lentamente hasta que sienta cierta resistencia. Luego, tire rápidamente para arrancar el motor.

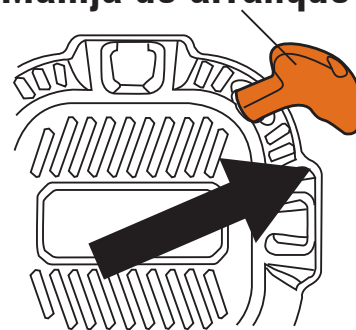
### ⚠ ADVERTENCIA

 **El retroceso del cable de arranque (repliegue rápido) puede causar lesiones corporales. El retroceso tirará de la mano y el brazo hacia el motor más rápido de lo que usted podrá soltarlo. Puede tener como consecuencia huesos rotos, fracturas, moretones y desgarros.**

- NUNCA tire del cable de arranque sin antes liberar la presión de la pistola rociadora.
  - Cuando arranque el motor, tire lentamente del cable hasta sentir una resistencia y luego tire rápidamente para evitar su retroceso.
  - Después de cada intento de arranque en que el motor no encienda, dirija la pistola rociadora hacia una dirección segura y apriete el gatillo para liberar la presión alta.
  - Sujete firmemente la pistola rociadora con ambas manos cuando utilice el rociado a alta presión para evitar lesiones cuando la pistola retroceda.
7. Regrese la manija de arranque lentamente a su posición original. NO permita que la cuerda regrese bruscamente hacia del arrancador.

Figura 24 – Arranque del motor

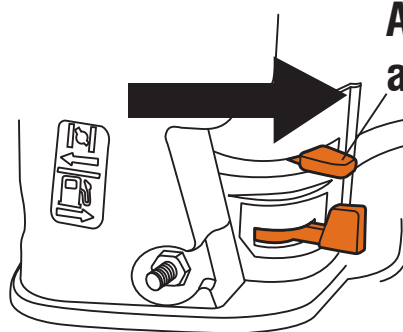
## Manija de arranque



8. Cuando arranque el motor, mueva lentamente la palanca del obturador a la posición "ABIERTO" a medida que el motor se calienta. Si el motor falla, mueva la palanca a la posición "CERRADO", y luego a la posición "ABIERTO" (Figura 25).

Figura 25 – Palanca del obturador

## Ahogador abierto



9. Después de cada intento de arranque en que el motor no encienda, dirija la pistola rociadora hacia una dirección segura y apriete el gatillo para liberar la presión alta.
10. Si el motor no arranca después de seis intentos, mueva la palanca a la posición "ABIERTO" y repita los pasos 6 a 10.

## ⚠ PELIGRO



La corriente de agua a alta presión que genera este equipo puede cortar la piel y tejidos subyacentes, causando lesiones graves, posible amputación o muerte. La pistola rociadora contiene agua a alta presión, incluso con el motor parado y el agua desconectada.

- NO permita que los NIÑOS operen la hidrolavadora o jueguen cerca de ella.
- Mantenga la manguera de alta presión conectada a la bomba y a la pistola rociadora mientras el sistema se encuentra presurizado.
- NUNCA apunte la pistola de rociado a personas, animales, dispositivos eléctricos o plantas. Puede resultar en lesiones graves.
- NO asegure la pistola rociadora en la posición abierta.
- NO abandone la pistola rociadora cuando la máquina está funcionando.
- NUNCA use una pistola rociadora que no tiene el seguro del gatillo o protección para gatillo en su lugar y en buenas condiciones.
- Siempre debe asegurarse de que la pistola rociadora, las boquillas y demás accesorios están correctamente colocados.

## ⚠ ADVERTENCIA



El contacto con la zona del silenciador puede resultar en quemaduras graves. El calor/gases de escape pueden encender combustibles, estructuras o dañar el tanque de combustible, causando un incendio.

- NO toque las superficies calientes y evite los gases de escape.
- Deje que el equipo se enfríe antes de tocarlo.
- Deje al menos 5 pies (152 cm) de espacio libre hacia todos los lados, incluida la parte superior.
- Es una violación al Código de Recursos Públicos de California, Sección 4442, utilizar u operar el motor en cualquier área cubierta de bosques, matorrales o hierba, a menos que el sistema de escape esté equipado con un apagachispas, tal como se define en la Sección 4442, mantenido en buenas condiciones de operación. Otros estados o jurisdicciones federales pueden tener leyes similares.
- Los repuestos deben ser iguales y estar instaladas en la misma posición que las piezas originales.

## SISTEMA DE ENFRIAMIENTO AUTOMÁTICO (ALIVIO TÉRMICO)

Si enciende el motor de su hidrolavadora durante 3 a 5 minutos sin presionar el gatillo de la pistola rociadora, el agua que circula en la bomba puede alcanzar temperaturas superiores a 125°F. El sistema enfría la bomba **descargando agua caliente en el suelo.**

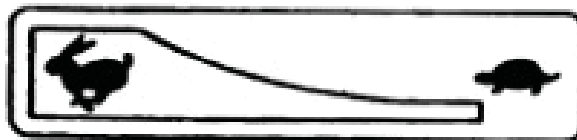
## VALOR DE PRESIÓN AJUSTABLE

La bomba de su hidrolavadora está equipada con una característica que le permite ajustar el valor de la presión. La bomba se preajusta en la fábrica para lograr la más alta presión posible. Para disminuir la presión, gire la perilla del control de presión hacia la izquierda hasta la presión deseada. Al girar la perilla del control de presión hacia la izquierda hasta que se pare, ajustará de nuevo la presión al valor de fábrica.

## CÓMO DETENER SU HIDROLAVADORA

1. Libere el gatillo de la pistola rociadora.
2. Lleve la palanca de control del obturador a la posición "BAJO" (tortuga) (Figura 26).

Figura 26 – Posición del obturador



Alto

Bajo

3. Ponga el interruptor de ON/OFF del motor en la posición "OFF".
4. SIEMPRE dirija la pistola rociadora en una dirección segura, apriete el gatillo para descargar el agua a alta presión. Trabe el seguro del gatillo cuando no esté en uso.
5. APAGUE el suministro de agua.

**IMPORTANTE:** La pistola rociadora contiene agua a alta presión, incluso con el motor parado y el agua desconectada.

## ⚠ PELIGRO



La corriente de agua a alta presión que genera este equipo puede cortar la piel y tejidos subyacentes, causando lesiones graves, posible amputación o muerte. La pistola rociadora contiene agua a alta presión, incluso con el motor parado y el agua desconectada.

- Mantenga la manguera de alta presión conectada a la bomba y a la pistola rociadora mientras el sistema se encuentra presurizado.
- SIEMPRE dirija la pistola rociadora en una dirección segura y apriete el gatillo para descargar la presión, cada vez que pare el motor. Trabe el seguro del gatillo cuando no esté en uso.

## RECOMENDACIONES DE MANTENIMIENTO

El mantenimiento regular mejorará el desempeño y extenderá la vida útil de su hidrolavadora. Concurra a cualquier distribuidor calificado para realizar el servicio.

La garantía de la hidrolavadora no cubre los artículos que han sido sometidos a abuso o negligencia por parte del usuario. Para recibir el valor total de la garantía, el usuario deberá mantener la hidrolavadora como se indica en este manual, incluido el almacenamiento adecuado según se detalla en Almacenamiento en invierno y a largo plazo.

### NOTA:

Si tiene preguntas acerca de cómo reemplazar componentes de su hidrolavadora, llame al 1-888-436-3722 para obtener asistencia.

Son necesarios algunos ajustes periódicos para mantener adecuadamente su hidrolavadora.

Todos los servicios y ajustes deberán hacerse al menos una vez por estación. Siga los requisitos en el cuadro Calendario de mantenimiento.

# Mantenimiento

## NOTA:

Una vez al año, usted deberá limpiar o reemplazar la bujía, limpiar o reemplazar el filtro de aire y comprobar que la pistola rociadora y el ensamble de extensión para boquillas no estén desgastados. Una bujía nueva y un filtro de aire limpio aseguran la mezcla adecuada de combustible y aire y ayudan a que su motor funcione mejor y dure más tiempo.

## CALENDARIO DE MANTENIMIENTO

Siga los intervalos de horas o días, lo que suceda primero. Se requiere un servicio más frecuente si se operan en condiciones adversas.

Primeras 5 horas
Cambio de aceite del motor
Cada 8 horas o diariamente
Verificar/limpiar el filtro de toma*
Verificar el estado de la manguera de alta presión
Verificar el estado de la manguera/filtro de descarga de detergente
Verificar que no hay fugas en la pistola rociadora o en el ensamble
Limpieza de suciedad
Verificar el nivel de aceite en el motor
Verificar el nivel de aceite en la bomba
Cada 50 horas o en cada estación
Verificar/limpiar el filtro de aire**
Cambiar el aceite de la bomba**
Cambio de aceite del motor**
Inspección del silenciador y el supresor de chispas
Cada 100 horas o en cada estación
Servicio a la bujía
* Limpiar si está obstruido. Reemplazar si está perforado o rasgado.
** Realizar el servicio más a menudo si se operan bajo condiciones de mucha suciedad o polvo.

## CONTROL DE EMISIONES

El mantenimiento, la sustitución o reparación de los dispositivos y sistemas de control de emisiones pueden ser realizados por cualquier centro de reparación de motores o personalmente. Sin embargo, para obtener servicio de control de emisiones "sin cargo", el trabajo debe ser realizado por un distribuidor autorizado. Consulte la Garantía de emisiones.

## MANTENIMIENTO DE LA HIDROLAVADORA

### Limpieza de suciedad

Limpie la suciedad acumulada en el sistema de limpieza una vez al día o antes del uso. Mantenga los enlaces, resortes y controles limpios. Mantenga la zona alrededor y detrás del silenciador libre de suciedad de combustible. Revise las ranuras y aberturas del aire de enfriamiento de la hidrolavadora. Estas aberturas se deben mantener limpias y sin obstrucciones.

Las partes de la hidrolavadora se deben mantener limpias para reducir el riesgo de sobrecalentamiento e ignición de suciedad acumulada.

- Utilice un paño húmedo para limpiar las superficies exteriores.

## NOTA:

El uso inadecuado de la hidrolavadora puede dañarla y acortar su vida útil.

- NO inserte objetos a través de las ranuras de enfriamiento de la unidad.
- Utilice un cepillo de cerdas suaves para retirar la suciedad endurecida, aceite, etc.
- Utilice una aspiradora para retirar la basura y la suciedad sueltas.

## VERIFIQUE EL ESTADO Y LIMPIE EL FILTRO DE LA TOMA

Examine el filtro en la toma de agua de la bomba. Limpie el filtro si se encuentra obstruido, o reemplácelo si está dañado.

## VERIFIQUE EL ESTADO DE LAS MANGUERAS DE ALTA PRESIÓN

Las mangueras de alta presión pueden desarrollar fugas por el desgaste, dobleces o mal uso. Inspeccione las mangueras antes de usarlas. Busque cortes, fugas, abrasiones, levantamiento de la cubierta, daño o movimiento de los acoplamientos. Si encuentra alguna de estas condiciones, reemplace la manguera de inmediato.

### ⚠ PELIGRO



La corriente de agua a alta presión que genera este equipo puede cortar la piel y tejidos subyacentes, causando lesiones graves, posible amputación o muerte. La pistola rociadora contiene agua a alta presión, incluso con el motor parado y el agua desconectada.

- NUNCA repare la manguera de alta presión. Reemplácela.
- El rango de la manguera de reemplazo DEBE cumplir o exceder el rango máximo de presión de la unidad.

## VERIFIQUE EL ESTADO DEL TUBO DE DESCARGA DE DETERGENTE

Examine el filtro del tubo de detergente y límpielo si se encuentra obstruido. El tubo debe ajustar bien en la junta. Examine el tubo en busca de fugas o rasaduras. Reemplace el filtro o tubo si están dañados.

## VERIFIQUE EL ESTADO DE LA PISTOLA ROCIADORA

Verifique que la conexión entre la pistola y la manguera es correcta. Presione el gatillo para probar si funciona correctamente; debe volver a su lugar cuando lo suelta. Reemplace la pistola de inmediato si no funciona correctamente.


## MANTENIMIENTO DE LA BOQUILLA

Una sensación pulsante cuando aprieta el gatillo de la pistola puede ser causada por presión excesiva en la bomba. La principal causa de presión excesiva en la bomba es una boquilla obstruida o restringida por materiales extraños, como suciedad, etc. Para corregir el problema, limpie la boquilla inmediatamente siguiendo estas instrucciones:

1. Apague el motor y corte el suministro de agua.
2. SIEMPRE dirija la pistola rociadora en una dirección segura, apriete el gatillo para descargar el agua a alta presión.

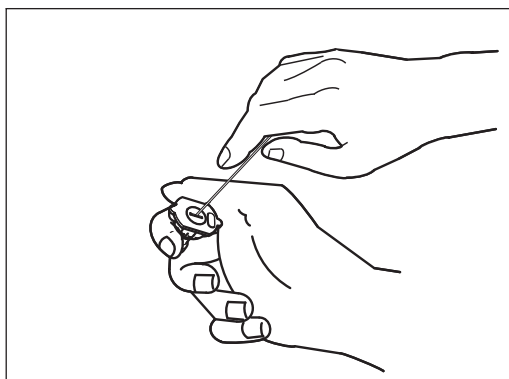


## ⚠ PELIGRO

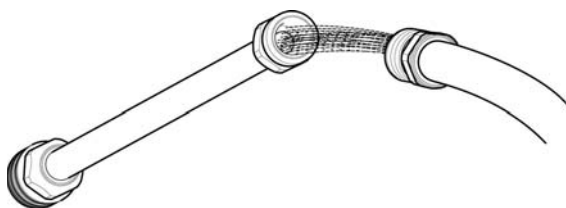
 La corriente de agua a alta presión que genera este equipo puede cortar la piel y tejidos subyacentes, causando lesiones graves, posible amputación o muerte. La pistola rociadora contiene agua a alta presión, incluso con el motor parado y el agua desconectada.

- Mantenga la manguera de alta presión conectada a la bomba y a la pistola rociadora mientras el sistema se encuentra presurizado.
  - SIEMPRE dirija la pistola rociadora en una dirección segura y apriete el gatillo para descargar la presión, cada vez que pare el motor. Trabe el seguro del gatillo cuando no esté en uso.
3. Retire la boquilla de la extensión.
  4. Use un pequeño sujetapapeles para retirar cualquier material extraño que esté tapando la boquilla (Figura 27).
  5. Retire la lanza de la pistola rociadora.
  6. Usando una manguera de jardín, retire la suciedad adicional enjuagando la lanza con agua a contracorriente (Figura 28) durante 30 a 60 segundos.
  7. Instale de nuevo la boquilla en la lanza.
  8. Reconecte la lanza a la pistola rociadora.
  9. Asegúrese de que la manguera de jardín está conectada a la toma de agua de la bomba. Verifique que la manguera de alta presión está conectada a la pistola rociadora y a la bomba. Encienda el suministro de agua.
  10. Encienda el motor siguiendo las instrucciones Cómo arrancar su hidrolavadora.
  11. Pruebe la hidrolavadora poniéndola en operación con cada una de las boquillas de conexión rápida.

**Figura 27 – Retire los materiales extraños**



**Figura 28 – Enjuague de la lanza**

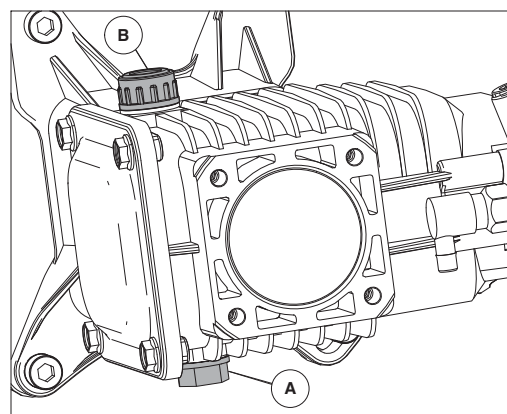


## MANTENIMIENTO DEL ACEITE DE LA BOMBA

Cambie el aceite de la bomba cada 50 horas de operación.

1. Limpie el área alrededor del tapón de drenaje de aceite (A).
2. Retire el tapón de drenaje de aceite. Drene el aceite completamente.
3. Coloque el tapón de drenaje de aceite. No apriete demasiado.
4. Limpie el área alrededor de la varilla de aceite (B).
5. Llene la bomba con aceite SAE 30 no detergente hasta la marca "Full" en la varilla de aceite.
6. Instale la varilla de aceite y ajústela.
7. Limpie el aceite derramado.

**Figura 29 – Drenaje del aceite de la bomba**



## MANTENIMIENTO DEL MOTOR

### ⚠ ADVERTENCIA



Las chispas no intencionales pueden resultar en un choque eléctrico.

### AL HACER AJUSTES O REPARACIONES A SU HIDROLAVADORA:

- Desconecte el cable de la bujía y colóquelo donde no puede hacer contacto con la bujía.

### AL PROBAR SI HAY CHISPAS EN EL MOTOR:

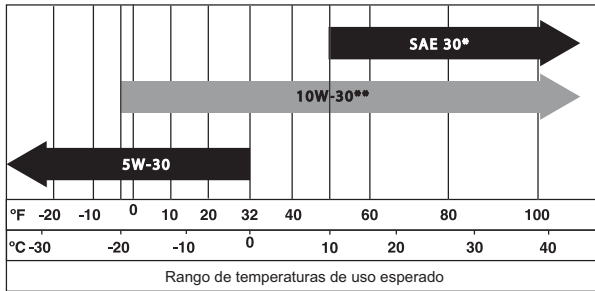
- Use un probador aprobado para bujías.
- NO realice la prueba sin la bujía conectada.

## RECOMENDACIONES SOBRE EL ACEITE DEL MOTOR

Se recomienda el uso de aceites detergentes de alta calidad con clasificación de servicio SF, SG, SH, SJ o superior. NO use aditivos especiales.

Las temperaturas exteriores determinan la viscosidad adecuada del aceite para el motor. Use la tabla para seleccionar la mejor viscosidad para el rango de temperatura exterior previsto.

# Mantenimiento



\* Por debajo de 50°F (10°C) el uso de aceite SAE 30 dará lugar a un arranque difícil.

\*\* Por encima de 80°F (27°C) el uso de aceite 10W30 puede aumentar el consumo de aceite. Compruebe el nivel de aceite más frecuentemente.

## NOTA:

Un aceite sintético que cumpla con ILSAC GF-2, con marca de certificación API y el símbolo de servicio API con "CONSERVACIÓN DE ENERGÍA SJ/CF" o superior, es un aceite aceptable a todas las temperaturas. El uso de aceites sintéticos no altera los intervalos entre cambios.

## NOTA:

El motor está equipado con un "Sistema de Alerta de Aceite". Este sistema detendrá automáticamente el motor antes de que el nivel de aceite sea inferior al valor seguro. Para evitar las molestias de una parada inesperada, compruebe siempre el nivel de aceite del motor antes de empezar.

## VERIFICACIÓN DEL NIVEL DE ACEITE

El nivel de aceite se debe verificar antes de cada uso o al menos cada 8 horas de operación. Mantenga el nivel de aceite.

1. Coloque el hidrolavadora sobre una superficie plana.
2. Limpie el área alrededor del área de llenado de aceite (Figura 31).
3. Retire la tapa de la boca de llenado de aceite y limpie la varilla de aceite.
4. Inserte la varilla en el cuello de llenado, pero no la atornille.
5. Compruebe que el nivel de aceite es el adecuado en la varilla.
6. Reemplace y ajuste el tapón de la boca de llenado de aceite.

## CÓMO AGREGAR ACEITE AL MOTOR

1. Coloque el hidrolavadora sobre una superficie plana.
2. Compruebe el nivel de aceite como se describe en Verificación del nivel de aceite.
3. De ser necesario, vierta aceite lentamente en la boca de llenado de aceite hasta que se alcance el nivel adecuado en la varilla. (Figura 31).
4. Compruebe el nivel de aceite según la sección Verificación del nivel de aceite.
5. Reemplace y ajuste el tapón de la boca de llenado de aceite.

## CAMBIO DEL ACEITE DEL MOTOR

Si usa su hidrolavadora bajo condiciones extremas de suciedad, o en climas muy calurosos, cambie el aceite más a menudo.

## ⚠ CUIDADO

⚠ Evite el contacto prolongado o repetido de la piel con el aceite usado del motor.

- Se ha demostrado que el aceite de motor usado causa cáncer de piel en algunos animales de laboratorio.
- Lave las áreas expuestas con agua y jabón.



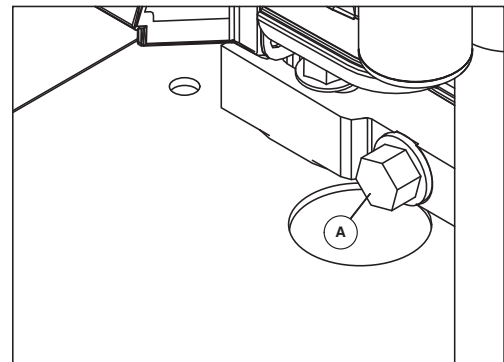
## MANTENER ALEJADO DEL ALCANCE DE LOS NIÑOS.

- No contamine. Conserve los recursos. Lleve el aceite usado a centros de recolección.

Cambie el aceite mientras el motor está caliente, como se indica a continuación:

1. Coloque el hidrolavadora sobre una superficie plana.
2. Desconecte el cable de la bujía y colóquelo donde no puede hacer contacto con la bujía.
3. Limpie el área alrededor del tapón de drenaje de aceite (A) (Figura 30). El tapón de drenaje de aceite se encuentra en la base del motor, en el lado opuesto al carburador.

Figura 30 – Tapón de drenaje de aceite



4. Retire el tapón de la boca de llenado de aceite (Figura 31).
5. Retire el tapón de drenaje de aceite y drene el aceite completamente en un recipiente adecuado.
6. Coloque nuevamente el tapón y ajústelo.

Figura 31 – Llenado de aceite del motor



7. Vierta lentamente el aceite (cerca de 20 oz.) en la boca de llenado hasta alcanzar el nivel adecuado en la varilla. NO sobrellene.
8. Coloque nuevamente el tapón. Ajústelo bien.
9. Limpie el aceite derramado.
10. Deshágase del aceite según las regulaciones locales.

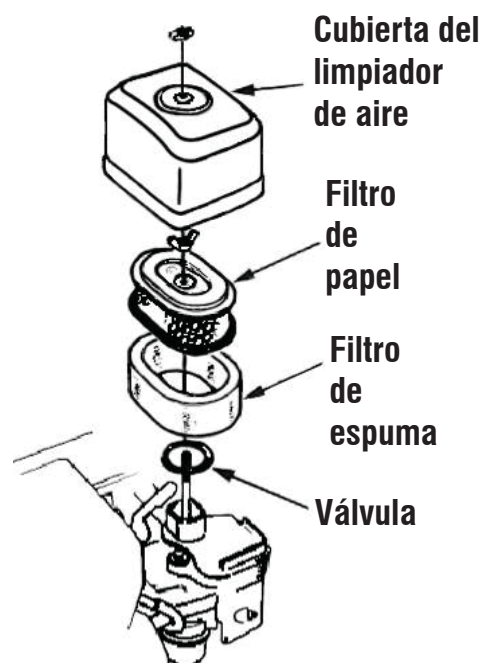
## SERVICIO DEL FILTRO DE AIRE

Su motor no funcionará correctamente y puede sufrir daños si se utiliza con un filtro de aire sucio. Realizar el servicio más a menudo si se opera bajo condiciones de mucha suciedad o polvo.

Para realizar el servicio al filtro de aire, siga los siguientes pasos:

1. Afloje los tornillos y retire la cubierta (Figura 32).
2. Retire el ensamble del filtro cuidadosamente.
3. Retire el filtro de espuma.
4. Para limpiar el cartucho, golpéelo suavemente sobre una superficie plana.
5. Vuelva a colocar el filtro de espuma.
6. Instale nuevamente un cartucho limpio o nuevo.
7. Coloque la cubierta y atorníllela.

Figura 32 – Servicio del filtro de aire

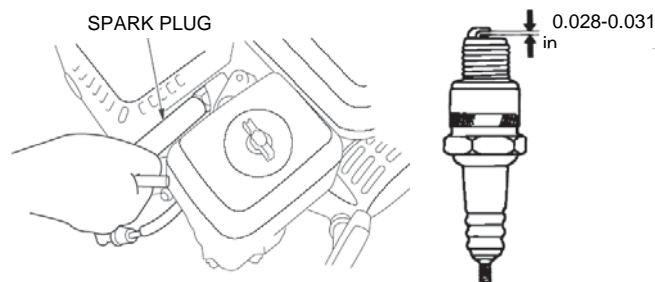


## SERVICIO A LA BUJÍA

Cambiar la bujía hará que su motor encienda más fácilmente y funcione mejor.

1. Limpie el área alrededor de la bujía.
2. Retire e inspeccione la bujía (Figura 33).
3. Compruebe la separación entre electrodos con un calibre de alambre y restablézcalo a la medida recomendada si es necesario (ver especificaciones).
4. Cambie la bujía si los electrodos están picados o quemados o si la porcelana está rota. Use la bujía de reemplazo recomendada. Consulte las especificaciones.
5. Instale la bujía y ajústela.

Figura 33 – Cambio de la bujía



## INSPECCIÓN DEL SILENCIADOR Y EL SUPRESOR DE CHISPAS

Inspeccione el silenciador en busca de grietas, corrosión u otros daños. Retire el supresor de chispas, de tenerla, e inspeccione en busca de daños o bloqueo de carbón. Si necesita partes de reemplazo, asegúrese de usar solamente repuestos originales.

### ⚠ ADVERTENCIA



**El contacto con la zona del silenciador puede resultar en quemaduras graves. El calor de los gases de escape puede arrancar combustibles, estructuras o dañar el tanque de combustible, causando un incendio.**

- NO toque las superficies calientes y evite los gases de escape.
  - Deje que el equipo se enfríe antes de tocarlo.
  - Deje al menos 5 pies (152 cm) de espacio libre hacia todos los lados, incluida la parte superior.
  - Es una violación al Código de Recursos Públicos de California, Sección 4442, utilizar u operar el motor en cualquier área cubierta de bosques, matorrales o hierba, a menos que el sistema de escape esté equipado con un apagachispas, tal como se define en la Sección 4442, mantenido en buenas condiciones de operación. Otros estados o jurisdicciones federales pueden tener leyes similares.
- Póngase en contacto con el fabricante de equipos originales, vendedor o distribuidor para obtener un supresor de chispas diseñado para el sistema de escape instalado en este motor.
- Los repuestos deben ser iguales y estar instalados en la misma posición que las piezas originales.

## LUEGO DE CADA USO

El agua no debe permanecer en la unidad por períodos prolongados. Los sedimentos y minerales pueden depositarse en partes de la bomba y no permitir su acción. Siga estos procedimientos luego de cada uso:

1. Apague el motor, corte el suministro de agua, apunte la pistola en una dirección segura y apriete el gatillo para descargar la presión; deje enfriar el motor.

### ⚠ PELIGRO



**La corriente de agua a alta presión que genera este equipo puede cortar la piel y tejidos subyacentes, causando lesiones graves, posible amputación o muerte. La pistola rociadora contiene agua a alta presión, incluso con el motor parado y el agua desconectada.**

# Mantenimiento

- Mantenga la manguera de alta presión conectada a la bomba y a la pistola rociadora mientras el sistema se encuentra presurizado.
  - SIEMPRE dirija la pistola rociadora en una dirección segura y apriete el gatillo para descargar la presión, cada vez que pare el motor. Trabe el seguro del gatillo cuando no esté en uso.
2. Desconecte las mangueras de la pistola y de la salida de alta presión en la bomba. Drene el agua de las mangueras, la pistola y la lanza. Utilice un trapo para limpiar la manguera.
  3. Vacíe la bomba de todo líquido. Verifique que el interruptor ON/OFF del motor y la válvula están en posición OFF. A continuación, tirar de la manija de retroceso cerca de seis veces. Esto deberá remover la mayoría del líquido en la bomba.
  4. Almacene la unidad en un lugar limpio y seco.
  5. Si no la va a usar por más de 30 días, consulte la sección Almacenamiento a largo plazo.

## ADVERTENCIA



**El combustible y sus vapores son extremadamente inflamables y explosivos. Un incendio o explosión pueden causar quemaduras graves o la muerte.**

## AL ALMACENAR COMBUSTIBLE O EQUIPOS CON COMBUSTIBLE EN EL TANQUE

- Almacenar alejado de calderas, estufas, calentadores de agua, secadoras de ropa u otros aparatos electrodomésticos que posean luz piloto u otras fuentes de ignición, ya que pueden encender los vapores del combustible.

## ALMACENAMIENTO EN INVIERNO

### NOTA:

### Debe proteger su unidad de temperaturas bajo cero.

- Si no lo hace, la bomba se dañará irreparablemente y la unidad no funcionará más.
- El daño por congelamiento no está cubierto en la garantía.

Para proteger la unidad de temperaturas bajo cero:

1. Siga los pasos 1 a 3 de la sección previa, Luego de cada uso.
2. Use un protector de bomba. Esto minimiza el riesgo de daños por congelamiento y lubrica pistones y sellos.
3. Si no tiene un protector de bomba, conecte un trozo de 3 pies de manguera de jardín al adaptador de la toma de agua. Vierta anticongelante RV (sin alcohol) en la manguera. Tire dos veces de la manija de retroceso. Desconecte la manguera de 3 pies.
4. Almacene la unidad en un lugar limpio y seco.

## ALMACENAMIENTO A LARGO PLAZO

Si no va a usar la hidrolavadora por más de 30 días, debe preparar el motor y la bomba para su almacenamiento a largo plazo.

## PROTECCIÓN DEL SISTEMA DE COMBUSTIBLE

El combustible puede echarse a perder si se lo almacena por más de 30 días. El combustible en mal estado hace que se formen depósitos de ácido y goma en el sistema de combustible o en partes esenciales del carburador. Para mantener el combustible fresco, utilice un estabilizante de combustible, disponible como un aditivo líquido o un cartucho de goteo concentrado.

No es necesario drenar el combustible del motor si se ha utilizado un estabilizante de combustible de acuerdo con las instrucciones. Ponga el motor en funcionamiento durante 2 minutos para que el estabilizante circule por todo el sistema de combustible. El motor y el combustible se pueden almacenar hasta por 24 meses (según las especificaciones del fabricante del estabilizante de combustible).

Si no se usó estabilizante de combustible, debe drenarse la gasolina y almacenarse en un recipiente adecuado. Mantenga el motor encendido hasta que se apague por falta de combustible. Para mantener el combustible en buen estado, se recomienda colocar estabilizante de combustible en el recipiente de almacenamiento.

## CAMBIO DE ACEITE

Mientras el motor todavía está caliente, drene el aceite del cárter del motor. Reemplace con el grado recomendado. Consulte: Cómo cambiar el aceite en Mantenimiento del motor.

## PROTECCIÓN DE LA BOMBA

Para proteger la bomba de daños causados por depósitos minerales o del congelamiento, use PumpSaver, Modelo 61350, para mantener la bomba. Esto minimiza el riesgo de daños por congelamiento y lubrica pistones y sellos.

### NOTA:

**PumpSaver está disponible como accesorio opcional. No está incluido en la hidrolavadora. Para comprar PumpSaver, contacte al centro autorizado de servicios más cercano.**

### NOTA:

### DEBE PROTEGER SU UNIDAD DE TEMPERATURAS BAJO CERO.

- Si no lo hace, la bomba se dañará irreparablemente y la unidad no funcionará más.
- El daño por congelamiento no está cubierto en la garantía.

Para usar PumpSaver, asegúrese de que la hidrolavadora está apagada y desconectada del suministro de agua. Lea y siga las instrucciones y advertencias que aparecen en el recipiente de PumpSaver.

## OTRAS CONDICIONES DE ALMACENAMIENTO

1. NO guarde combustible de una temporada para otra, a menos que haya sido tratado como se describe en la sección Protección del Sistema de combustible.
2. Cambie el recipiente de combustible si comienza a oxidarse. El óxido y/o la suciedad en el combustible pueden causar problemas si se utilizan en esta unidad.
3. Cubra la unidad con una cubierta protectora adecuada que no retenga humedad.

## ADVERTENCIA



**Las cubiertas para almacenamiento pueden ser inflamables.**

- NO cubra una hidrolavadora caliente con una cubierta para almacenamiento.
  - Deje enfriar el equipo durante el tiempo suficiente antes de colocar la cubierta.
4. Almacene la unidad en un lugar limpio y seco.

## GUÍA DE LOCALIZACIÓN Y CORRECCIÓN DE FALLAS

PROBLEMA	CAUSA	CORRECCIÓN
<b>La bomba tiene los siguientes problemas: No desarrolla presión, presión variable, traqueteo, pérdida de presión, bajo volumen de agua.</b>	<ol style="list-style-type: none"> <li>1. Boquilla de baja presión instalada.</li> <li>2. La toma de agua está bloqueada.</li> <li>3. Suministro inadecuado de agua.</li> <li>4. La manguera de entrada está doblada o tiene pérdidas.</li> <li>5. Filtro de manguera de entrada obstruido.</li> <li>6. El suministro de agua está por encima de 100°F.</li> <li>7. La manguera de alta presión está bloqueada o tiene pérdidas.</li> <li>8. La pistola rociadora tiene fugas.</li> <li>9. La boquilla está obstruida.</li> <li>10. La bomba está fallando.</li> </ol>	<ol style="list-style-type: none"> <li>1. Reemplácela con la boquilla de alta presión.</li> <li>2. Limpie la toma.</li> <li>3. Suministre el flujo de agua adecuado.</li> <li>4. Refuerce la manguera de entrada, emparche la pérdida.</li> <li>5. Verifique el estado y limpie el filtro de la toma.</li> <li>6. Proporcione un suministro de agua a temperatura más baja.</li> <li>7. Retire las obstrucciones en la manguera de salida o sustituya la manguera.</li> <li>8. Reemplace la pistola rociadora.</li> <li>9. Limpie la boquilla.</li> <li>10. Contacte al centro local de servicio.</li> </ol>
<b>El detergente no se mezcla con el aerosol.</b>	<ol style="list-style-type: none"> <li>1. El tubo de descarga de detergente no está sumergido.</li> <li>2. El tubo/filtro de descarga de detergente está obstruido o quebrado.</li> <li>3. Boquilla de alta presión instalada.</li> </ol>	<ol style="list-style-type: none"> <li>1. Coloque el tubo de descarga de detergente dentro del detergente.</li> <li>2. Limpie o reemplace el tubo/filtro de descarga de detergente.</li> <li>3. Reemplácela con la boquilla de baja presión.</li> </ol>
<b>El motor funciona bien sin carga pero "funciona mal", agregó cuando está cargado.</b>	<ol style="list-style-type: none"> <li>1. La velocidad del motor es muy baja.</li> </ol>	<ol style="list-style-type: none"> <li>1. Mueva el control del obturador a la posición RÁPIDA. Si el motor sigue funcionando mal, contacte al centro local de servicio.</li> </ol>
<b>El motor no arranca, o arranca y funciona mal.</b>	<ol style="list-style-type: none"> <li>1. Nivel de aceite bajo, "Sistema de alerta de aceite".</li> <li>2. Limpiador de aire sucio.</li> <li>3. Sin combustible.</li> <li>4. Combustible en mal estado.</li> <li>5. Cable de la bujía no conectado.</li> <li>6. Bujía en mal estado.</li> <li>7. Agua en el combustible.</li> <li>8. Mezcla muy rica en combustible.</li> </ol>	<ol style="list-style-type: none"> <li>1. Llene el cárter hasta el nivel adecuado.</li> <li>2. Limpie o reemplace el filtro de aire.</li> <li>3. Llene el tanque de combustible.</li> <li>4. Vacíe el tanque de combustible y llénelo con combustible nuevo.</li> <li>5. Conecte el cable a la bujía.</li> <li>6. Reemplace la bujía.</li> <li>7. Vacíe el tanque de combustible y llénelo con combustible nuevo.</li> <li>8. Contacte al centro local de servicio.</li> </ol>
<b>El motor se apaga mientras está funcionando.</b>	<ol style="list-style-type: none"> <li>1. Sin combustible.</li> </ol>	<ol style="list-style-type: none"> <li>1. Llene el tanque de combustible.</li> </ol>
<b>Al motor le falta potencia.</b>	<ol style="list-style-type: none"> <li>1. Filtro de aire sucio .</li> </ol>	<ol style="list-style-type: none"> <li>1. Reemplace el filtro de aire.</li> </ol>

## **DECLARACIÓN DE GARANTÍA DE CONTROL DE EMISIONES DE LA EPA EE.UU. SUS DERECHOS DE GARANTÍA Y OBLIGACIONES**

La Agencia de Protección Ambiental (EPA) de los EE.UU. y Generac Power Systems, Inc. (Generac) se complacen en explicar la garantía del Sistema de Control de Emisiones en su nuevo equipo de 2011 y posteriores. Los equipos nuevos que utilizan pequeños motores encendidos con chispa se deben diseñar, construir, y equipar de tal forma que cumplan con las estrictas normas contra el smog del gobierno federal. Generac garantiza el sistema de control de emisiones en su equipo por el período que se enumera a continuación siempre que no haya habido abuso, negligencia, modificación no aprobada o mantenimiento incorrecto de su equipo. El sistema de control de emisiones de este equipo incluye todos los componentes cuya falla aumentaría la emisión de todo contaminante regulado. Estos componentes se enumeran en la sección Información sobre Emisiones de este manual.

### **COBERTURA DE LA GARANTÍA DEL FABRICANTE:**

Esta Garantía ECS es válida por dos años, o por el mismo período que se especifique en la Garantía Limitada Generac, el que sea más largo. Para los equipos que tienen medidor de horas, el período de garantía es un número de horas igual a la mitad de la vida útil para la que está certificado el equipo, o el período de garantía especificado en años, el que sea menor. La vida útil se puede encontrar en la etiqueta de Control de Emisiones del motor. Si durante dicho período de garantía se identifica que cualquier parte de su equipo relacionada con las emisiones está defectuosa en cuanto a sus materiales o fabricación, un Centro de Servicio de Garantía Autorizado de Generac realizará las reparaciones o reemplazos.

### **RESPONSABILIDADES DEL DUEÑO EN LA GARANTÍA:**

Como dueño del equipo, usted es responsable de la realización de todo el mantenimiento requerido como se indica en su Manual del Usuario suministrado de fábrica. Para los propósitos de la garantía, Generac recomienda que guarde todos los recibos de mantenimiento de su generador, pero Generac no puede invalidar la garantía solamente debido a la falta de recibos.

Usted debe saber que Generac puede negar cualquier y/o toda garantía de cobertura o responsabilidad si su equipo, o una parte o componente del mismo, ha fallado debido al abuso, mantenimiento inapropiado, o modificaciones no autorizadas.

**Usted es responsable de ponerse en contacto con un Centro de Garantía Autorizado de Generac tan pronto como ocurra un problema. Las reparaciones por garantía deben terminarse en un periodo de tiempo razonable, que no exceda de 30 días.**

El servicio por garantía puede ser coordinado poniéndose en contacto con su distribuidor autorizado o con un Centro de Servicio de Garantía Autorizado de Generac. Para ubicar al Distribuidor de Servicio de Garantía Autorizado de Generac más cercano, llame al número gratuito que aparece debajo, o contáctenos a través del correo electrónico: [emissions@generac.com](mailto:emissions@generac.com).

**1-800-333-1322**

**NOTA IMPORTANTE:** Esta declaración de garantía explica sus derechos y obligaciones según la Garantía del Sistema de Control de Emisiones (Garantía ECS), que le es proporcionada por Generac conforme a la ley federal. Vea también las "Garantías Limitadas de Generac para Generac Power Systems, Inc.", que se incluyen en otra hoja en este documento, y que también le son proporcionadas por Generac. Observe que esta garantía no se aplicará a los daños incidentales, consecuentes o indirectos ocasionados por defectos en materiales o fabricación o a algún retraso en la reparación o el reemplazo de las partes defectuosas. Esta garantía reemplaza a las otras garantías, expresadas o implícitas. Específicamente, Generac no ofrece ninguna otra garantía en cuanto a la comerciabilidad o idoneidad para algún propósito en particular. Cualquier garantía implícita permitida por ley, será limitada en su duración a los términos de la garantía expresa proporcionada en el presente. Algunos estados no permiten limitaciones en cuanto a la duración de una garantía implícita, así que la limitación anterior puede no aplicarse a usted.

La Garantía del ECS se aplica solamente al sistema de control de emisiones de su nuevo equipo. La Garantía del ECS y la Garantía de Generac describen derechos y obligaciones importantes relacionadas con su nuevo motor.

El servicio de garantía puede realizarse solamente por un Centro de Servicio de Garantía Autorizado de Generac. Al pedir el servicio de garantía, se deben presentar pruebas en las que se indique la fecha de la venta al comprador/dueño original.

Si tiene alguna pregunta sobre sus derechos y responsabilidades de la garantía, debe contactarse con Generac, en la dirección siguiente:

**A LA ATENCIÓN DEL DEPARTAMENTO DE GARANTÍAS  
GENERAC POWER SYSTEMS, INC.  
P.O. BOX 297 • WHITEWATER, WI 53190**

## GARANTÍA DEL SISTEMA DE CONTROL DE EMISIONES

Garantía del Sistema de Control de Emisiones [ECS, por sus siglas en inglés] (garantía del ECS) para equipos que usan pequeños motores encendidos con chispa:

- (a) Aplicación: Esta garantía se aplicará a los equipos que utilizan pequeños motores no para vehículos. El período de garantía del ECS comenzará en la fecha en que el equipo nuevo es comprado o entregado a su comprador/dueño original y usuario final, y continuará por 24 meses consecutivos después de esa fecha.
  - (1) El período especificado en la presente Garantía Limitada de Generac, pero no menos de 24 meses, o
  - (2) Para motores equipados con medidor de horas, un número de horas de operación igual a la mitad de la vida útil de motor. La vida útil se puede encontrar en la etiqueta de Control de Emisiones del motor.
- (b) Cobertura General de la Garantía de Emisiones: Generac garantiza al comprador/dueño original y usuario final del nuevo motor o equipo y a cada comprador/ dueño subsiguiente que el ECS cuando se instaló:
  - (1) Estaba diseñado, construido y equipado para cumplir con todas las normas aplicables; y
  - (2) Estaba libre de defectos en los materiales y fabricación que pudieran ocasionar fallas de una pieza con garantía en cualquier momento durante el Período de Garantía del ECS.
- (c) La garantía para las piezas relacionadas con emisiones será interpretada como sigue:
  - (1) Cualquier pieza con garantía que no esté programada para reemplazo como parte del mantenimiento necesario indicado en el Manual del Usuario será garantizada por el Período de Garantía del ECS. Si cualquiera de estas piezas falla durante el Período de Garantía del ECS, será reparada o reemplazada por Generac según la subsección (4) siguiente. Dicha parte reparada o reemplazada bajo la Garantía del ECS será garantizada por el resto del Período de Garantía del ECS.
  - (2) Cualquier parte garantizada que esté programada solamente para las inspecciones regulares según se especifique en el Manual del Usuario será garantizada por el Período de Garantía del ECS. Un enunciado en el Manual del Usuario que indique "repare o reemplace cuanto sea necesario" no reducirá el Período de Garantía del ECS. Dicha parte reparada o reemplazada bajo la Garantía del ECS será garantizada por el resto del Período de Garantía del ECS.
  - (3) Cualquier pieza con garantía que esté programada para reemplazo como parte del mantenimiento necesario en el Manual del Usuario será garantizada por el periodo de tiempo previo al primer reemplazo programado para dicha pieza. Si la pieza falla antes del primer reemplazo programado, la pieza será reparada o reemplazada por Generac según la subsección (4) siguiente. Dicha pieza relacionada con las emisiones que haya sido reparada o reemplazada bajo la garantía del ECS será garantizada por el resto del periodo previo al primer reemplazo programado para esa pieza.
  - (4) La reparación o el reemplazo de cualquier pieza garantizada relacionada con las emisiones bajo esta Garantía del ECS será sin cargo para el dueño en un Centro de Servicio de Garantía Autorizado de Generac.
  - (5) A pesar de las disposiciones de la subsección (4) anterior, los servicios de garantía o de reparaciones se deben proporcionar en un Centro de Servicio Autorizado de Generac.
  - (6) Cuando el motor es examinado por un Centro de Servicio de Garantía Autorizado de Generac, el comprador/dueño no será responsable del costo de diagnóstico si la reparación está cubierta por la garantía.
  - (7) Durante el Período de Garantía del ECS, Generac tendrá el inventario de piezas relacionadas con las emisiones bajo garantía suficiente para cubrir la demanda prevista para tales piezas.
  - (8) Las piezas de recambio relacionadas con las emisiones que hayan sido autorizadas y aprobadas por Generac se pueden utilizar durante cualquier mantenimiento o reparación de Garantía del ECS y serán proporcionadas sin cargo al comprador/dueño. Dicho uso no reducirá las obligaciones de la Garantía del ECS de Generac.
  - (9) No se pueden realizar otras modificaciones al generador, excepto aquellas explícitamente aprobadas por Generac. Las modificaciones no aprobadas anulan la Garantía ECS y son motivo suficiente para invalidar un reclamo a ésta.
  - (10) Generac no será responsable por fallas de repuestos no autorizados, o fallas de piezas autorizadas causadas por el uso de repuestos no autorizados.

### **LAS PIEZAS RELACIONADAS CON EMISIONES PUEDEN INCLUIR LAS SIGUIENTES (SI ESTÁN INSTALADAS):**

- 1) SISTEMA DE DOSIFICACIÓN DEL COMBUSTIBLE
  - A. CARBURADOR Y PIEZAS INTERNAS
  - B. TANQUE/TAPÓN DE COMBUSTIBLE
  - C. LÍNEAS DE COMBUSTIBLE
  - D. LÍNEAS DE VENTEO EVAPORATIVO
  - E. REGULADOR (COMBUSTIBLES GASEOSOS)
- 2) SISTEMA DE INDUCCIÓN DE AIRE
  - A. MÚLTIPLE DE ADMISIÓN
  - B. FILTRO DE AIRE
- 3) SISTEMA DE IGNICIÓN
  - A. BUJÍAS
  - B. BOBINAS/MÓDULO DE ARRANQUE
- 4) SISTEMA DE INYECCIÓN DE AIRE
  - A. VÁLVULA DE INDUCCIÓN DE AIRE POR IMPULSOS
- 5) SISTEMA DE ESCAPE
  - A. CATALIZADOR
  - B. CAÑO DE ESCAPE

# Garantía

## GARANTÍA LIMITADA DE "TRES AÑOS" DE SISTEMAS DE POTENCIA GENERAC PARA LAVADORAS DE PRESIÓN PROFESIONALES

Por un periodo de tres años desde la fecha de la venta original, Generac Power Systems, Inc. (Generac) garantiza sus lavadoras a presión como libres de defectos en materiales y mano de obra por los ítems y periodos indicados abajo. Generac, a su opción, reparará o reemplazará cualquier parte que, luego de un examen, inspección y pruebas realizadas por un concesionario de servicio de garantía autorizado de Generac, se encuentre que está defectuoso. La reparación o reemplazo conforme a lo indicado en esta garantía limitada no renovará ni extenderá el periodo de garantía original. Cualquier producto reparado deberá estar bajo garantía sólo por el periodo de garantía original que reste. Cualquier equipo que el comprador/propietario reclame como defectuoso debe ser regresado a y examinado por el concesionario de servicio de garantía autorizado por Generac más cercano. Todos los costos de transporte bajo la garantía, incluyendo el retorno a la fábrica, serán por cuenta y prepagados por el propietario/comprador. Esta garantía se aplica sólo a las lavadoras a presión de Generac y no es transferible del propietario original. Guarde su comprobante de compra. Si usted no proporciona una prueba de la fecha de la compra inicial, se usará la fecha de embarque del producto del fabricante para determinar el periodo de garantía.

### PROGRAMACIÓN DE GARANTÍA

Las aplicaciones para consumidor están garantizadas por tres (3) años. Las aplicaciones comerciales y de alquiler se garantizan por 90 días.

#### APLICACIÓN PARA CONSUMIDOR

AÑO UNO y DOS - Cobertura completa limitada en mano de obra y repuestos (se requiere comprobante de compra y mantenimiento):

- Todos los componentes

AÑO TRES – Cobertura completa limitada en repuestos (se requiere comprobante de compra y mantenimiento):

- Solo motor – Componentes principales, incluyendo: Bloque, cabeza de cilindros, cigüeñal, levas, varillas y pistones.

#### APLICACIÓN COMERCIAL / DE ALQUILER

90 días – Cobertura completa limitada en mano de obra y repuestos (se requiere comprobante de compra y mantenimiento):

- Todos los componentes

**NOTA:** Para el propósito de esta garantía "uso de consumidor" significa uso personal en casa residencial o recreacional por el comprador original. Una vez que la lavadora a presión ha experimentado uso comercial o de alquiler, se le considerará en adelante y para propósitos de esta garantía como de no uso del consumidor.

### LINEAMIENTOS

- El cliente es responsable de leer y seguir todas las instrucciones de operación.
- Los productos que se dañen como resultado de una operación incorrecta no serán cubiertos por la garantía. Esto incluye a los componentes de la bomba de agua que son arrancados sin tener el flujo de agua y presión requeridos.
- El cliente será el responsable de transportar el producto a un centro de reparación autorizado Generac para todas las reparaciones en garantía.
- Tal vez se requiera verificar el mantenimiento para que aplique las reparaciones bajo garantía.
- Los costos de mano de obra cubiertos por garantía se basan en horas normales de trabajo. Costos adicionales por sobretiempos, feriados o trabajos de emergencia fuera de horas normales de trabajo serán responsabilidad del cliente.
- El costo del embarque de repuestos cubiertos por garantía es reembolsado a una tarifa de embarque por tierra. Los costos relacionados por una solicitud de embarque expedito serán responsabilidad del cliente.

### ESTA GARANTÍA NO SE APLICARÁ A LO SIGUIENTE:

- Lavadoras a presión Generac que utilicen repuestos que no son de Generac.
- Costos de mantenimiento normal y ajustes.
- Las fallas causadas por cualquier combustibles contaminados o inadecuada, los aceites o la falta de adecuados niveles de aceite, o agua contaminada.
- Reparaciones o diagnósticos realizados por individuos diferentes a los concesionarios autorizados por Guardian/Generac que no estén autorizados por escrito por Generac.
- Fallas debidos, pero no limitado, a uso y desgaste normal, accidente, mal uso, abuso, negligencia, mal uso o mantenimiento inadecuado. Como todo dispositivo mecánico, los motores Generac necesitan servicio y repuestos periódicamente para funcionar como están diseñados. Esta garantía no cubre reparaciones cuando el uso normal ha agotado la vida útil de una parte o motor.
- Las fallas causados por cualquier acto de Dios y / o otros eventos de fuerza mayor fuera del control del fabricante.
- El daño relacionado a roedores y/o plaga de insectos.
- Los productos que son modificados o alterados de manera no autorizada por Generac por escrito.
- Cualquier daño incidental, consecuencial o indirecto causado por defectos en los materiales y mano de obra, o cualquier retraso en reparar o reemplazar las partes defectuosas.
- Falla debido a una mala aplicación.
- Congelamiento de agua en la bomba (en climas helados, se debe drenar el agua de las bombas al final de la temporada).
- Gastos relacionados a "instrucciones del cliente" o detección de problemas donde no se encuentre defecto de fábrica.
- Equipo de alquiler usado mientras se realiza las reparaciones de garantía.
- Baterías de arranque, fusibles, filtros, bombillos de luz y fluidos de motor.

ESTA GARANTÍA REEMPLAZA CUALQUIER OTRA GARANTÍA, EXPRESA O IMPLÍCITA, ESPECÍFICAMENTE, GENERAC NO OTORGA OTRAS GARANTÍAS COMO DE MERCANTIBILIDAD O ADECUACIÓN PARA UN PROPOSITO PARTICULAR. Cualquier garantía implícita que sea permitida por ley, estará limitada en duración a los términos de la garantía expresa dispuesta aquí. Algunos estados no permiten limitaciones en cuánto dura una garantía implícita, de modo que la limitación expresada arriba puede no aplicarse al comprador/propietario.

LA ÚNICA RESPONSABILIDAD DE GENERAC SERÁ LA REPARACIÓN O REEMPLAZO DE LAS PARTES TAL COMO SE ESPECIFICA ARRIBA. EN NINGÚN CASO GENERAC SERÁ RESPONSABLE POR CUALQUIER DAÑO INCIDENTAL O CONSECUCIONAL, AÚN SI TALES DAÑOS SEAN UN RESULTADO DIRECTO DE UNA NEGLIGENCIA DE GENERAC. Algunos estados no permiten la exclusión o limitación de daños accidentales o resultantes, de modo que las limitaciones mencionadas más arriba podrían no aplicarse al comprador/propietario. El comprador/propietario está de acuerdo en no hacer reclamos contra Generac basados en negligencia. Esta garantía le da al comprador/propietario derechos legales específicos. El comprador/propietario también puede tener otros derechos que varían de estado a estado. Cualquier garantía implícita que sea permitida por ley, estará limitada en duración a los términos de la garantía expresa dispuesta aquí.

**GENERAC POWER SYSTEMS, INC. • P.O. BOX 8 • Waukesha, WI 53187**

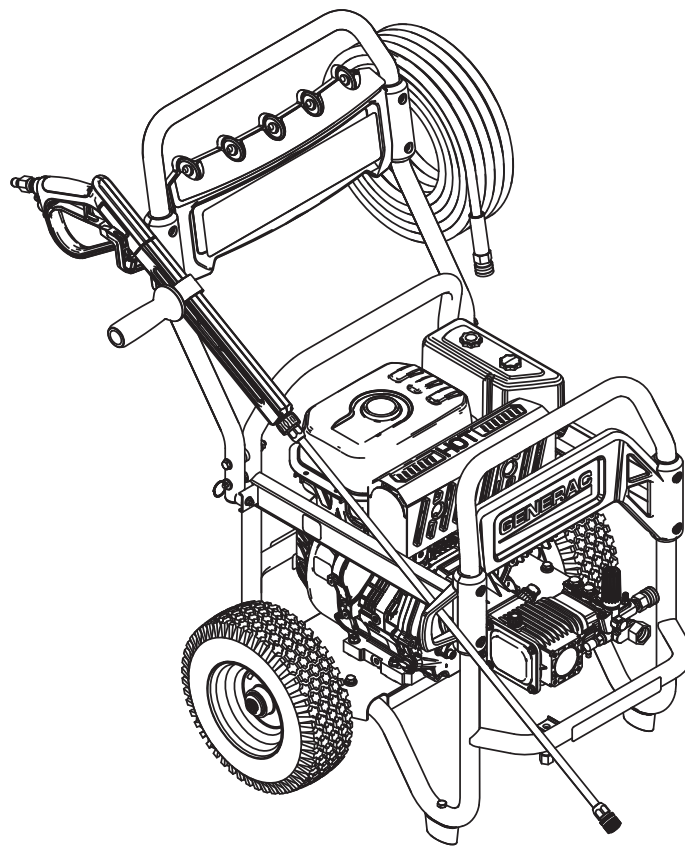
**Tel: (888) GENERAC (436-3722) • Fax: (262) 544-4851**

**Para ubicar al concesionario autorizado más cercano y para descargar los esquemas, vistas explotadas y listas de las partes, visite nuestro sitio web: [www.generac.com](http://www.generac.com)**



# Manuel de l'opérateur

## Laveuse à pression



# Table des matières

<b>Introduction.....</b>	<b>49</b>	<b>Entretien .....</b>	<b>61</b>
<b>Règles de sécurité.....</b>	<b>49</b>	Recommandations d'entretien .....	61
Symboles de sécurité et leurs signification .....	49	Programme d'entretien .....	62
<b>Information générale .....</b>	<b>52</b>	Contrôle des émissions.....	62
Connaître Votre Laveuse à Pression .....	52	Entretien de la laveuse à pression .....	62
Spécifications du produit.....	53	Vérifier et nettoyer le filtre d'entrée de l'eau.....	62
Déballage.....	53	Vérifier les tuyaux à haute pression .....	62
<b>Configuration .....</b>	<b>53</b>	Vérifier le tuyau à siphon de détergent.....	62
Assemblage.....	53	Vérifier le pistolet de pulvérisation .....	62
Ajouter l'huile à moteur.....	54	Entretien de la buse.....	62
Vérifier l'huile à pompe.....	54	Entretien de l'huile à pompe.....	63
Ajouter du carburant .....	55	Entretien du moteur.....	63
Brancher le tuyau et l'approvisionnement d'eau à la pompe.....	55	Recommandations d'huile de moteur.....	63
Comment utiliser les buses .....	57	Vérification du niveau d'huile .....	64
Nettoyer et utiliser du détergent.....	58	Ajouter l'huile à moteur.....	64
Rinçage de la laveuse à pression.....	58	Changer l'huile à moteur.....	64
Nettoyer le tuyau à siphon de détergent.....	58	Entretien du filtre à air .....	65
<b>Fonctionnement .....</b>	<b>59</b>	Entretien de la bougie d'allumage .....	65
Fonctionnement .....	59	Vérifier le pot d'échappement et le pare-étincelles.....	65
Emplacement de la laveuse à pression.....	59	Après chaque utilisation .....	65
Liste de contrôle avant de démarrer le moteur .....	59	Entreposage d'hiver.....	66
Comment démarrer votre laveuse à pression.....	59	Entreposage à long terme .....	66
Système de refroidissement automatique (Suppression thermique) .....	61	Protéger le système d'alimentation en carburant .....	66
Réglage de pression ajustable.....	61	Changer d'huile .....	66
Comment arrêter votre laveuse à pression.....	61	Protéger la pompe.....	66
		Autres instructions d'entreposage.....	66
		<b>Dépannage.....</b>	<b>67</b>
		Guide de Dépannage .....	67
		<b>Garantie .....</b>	<b>68</b>

## INTRODUCTION

Merci d'avoir acheté cette laveuse à pression fabriquée par Generac Power Systems, Inc. Ce modèle est une laveuse à pression entraînée par moteur, à haute performance, refroidie à l'air, qui fonctionne entre 3000 et 4000 psi selon le modèle acheté. Ces unités sont équipées de puissants moteurs Generac, une pompe à trois cylindres avec des pistons recouverts de céramique, un régulateur de pression, un système de suppression thermique automatique, un pistolet de pulvérisation de qualité professionnelle à isolation des vibrations pour réduire la fatigue, une lance en acier inoxydable, les buses à raccord rapide, un tuyau en caoutchouc de haute pression renforcé en acier pour une longue durée de vie et une flexibilité maximale et un tuyau à siphon de détergent.

**Le sens commun et le respect strict des instructions spéciales sont essentiels pour éviter les accidents.** L'opérateur doit lire ce manuel et comprendre complètement toutes les instructions avant d'utiliser cet équipement. En cas d'incompréhension d'une partie du manuel, contacter le dépositaire agréé le plus proche pour connaître les procédures de démarrage, de fonctionnement et d'entretien. Le propriétaire est responsable de l'utilisation correcte et sûre de l'équipement.

La laveuse à pression peut fonctionner en toute sécurité, de façon efficace et de façon fiable uniquement si elle est correctement installée, utilisée et entretenue. Avant d'utiliser, entretenir ou entreposer la laveuse à pression :

- Lire attentivement tous les avertissements de sécurité figurant dans ce manuel et sur le produit.
- Se familiariser avec ce manuel et l'unité avant de l'utiliser.
- Consulter la section Assemblage du manuel pour les instructions sur les procédures d'assemblage final. Suivre les instructions complètement.

Le fabricant ne peut pas anticiper toutes les situations possibles qui peuvent impliquer un danger. Les avertissements de ce manuel et figurant sur les étiquettes et les autocollants apposés sur l'unité ne sont, toutefois, pas exhaustifs. Si vous suivez une procédure, une méthode de travail ou une technique de fonctionnement que le fabricant ne recommande pas en particulier, assurez-vous qu'elle est sans danger pour les autres. S'assurer que la procédure, la méthode de travail ou la technique de fonctionnement choisie ne rende pas la laveuse à pression dangereuse.

LES INFORMATIONS CONTENUES DANS LE PRÉSENT MANUEL SE BASENT SUR LES MACHINES EN PRODUCTION AU MOMENT DE LA PUBLICATION. GENERAC SE RÉSERVE LE DROIT DE MODIFIER CE MANUEL À TOUT MOMENT.

**Conservez ces instructions pour référence future. Si vous prêtez cet appareil à quelqu'un, prêtez-lui TOUJOURS TOUTES les instructions aussi.**

## OÙ NOUS TROUVER

Vous pouvez contacter le Service à la clientèle de Generac par téléphone au 1-888-436-3722, ou sur l'Internet à [www.generac.com](http://www.generac.com). Écrivez les informations importantes de l'unité dans le tableau ci-dessous pour une référence future et / ou demandes de service.

Numéro de modèle	
Numéro de série	
Date d'achat	

## RÈGLES DE SÉCURITÉ

Dans tout ce manuel, et sur les étiquettes et sur les autocollants apposés sur la génératrice, les blocs DANGER, AVERTISSEMENT, ATTENTION et REMARQUE servent à alerter le personnel d'instructions spéciales au sujet d'une opération spécifique qui peut s'avérer dangereuse si elle n'est pas effectuée correctement ou avec précaution. Les respecter attentivement. Leurs définitions sont les suivantes :

### ▲ DANGER

**Indique une situation ou une action dangereuse qui, si elle n'est pas évitée, entraînera la mort ou des blessures graves.**

### ▲ AVERTISSEMENT

**Indique une situation ou une action dangereuse qui, si elle n'est pas évitée, pourrait entraîner la mort ou des blessures graves.**

### ▲ ATTENTION

**Indique une situation ou une action dangereuse qui, si elle n'est pas évitée, entraînera des blessures légères ou modérées.**

### REMARQUE :

**Les remarques contiennent des informations supplémentaires importantes relatives à une procédure et se trouvent dans le corps de texte régulier de ce manuel.**

Ces avertissements de sécurité ne peuvent pas éliminer les dangers qu'ils signalent. Le sens commun et le respect strict des instructions spéciales lors de l'action ou l'entretien sont essentiels pour éviter les accidents.

## SYMBOLES DE SÉCURITÉ ET LEURS SIGNIFICATION



Fumées toxiques



Effet rebond



Choc électrique



Surface glissante



Chute



Injection de liquide



Feu



Explosion



Manuel d'instructions



Pièces amovibles




Objets volants



Surface chaude

## Règles de sécurité

**! DANGER : Le monoxyde de carbone produit lors de l'utilisation PEUT TUER en quelques minutes. NE JAMAIS utiliser à l'intérieur ou dans d'autres zones abritées MÊME SI les portes et les fenêtres sont ouvertes. Utiliser uniquement à l'EXTÉRIEUR et loin des fenêtres, portes et événements.**

 Certains produits chimiques ou détergents peuvent être dangereux et, s'ils sont inhalés ou ingérés, provoquer des nausées importantes, des évanouissements ou des empoisonnements.

- Utiliser la laveuse à pression à l'extérieur SEULEMENT.
- Un moteur en marche émet du monoxyde de carbone.
- Le monoxyde de carbone est un gaz toxique, inodore et invisible. Respirer du monoxyde de carbone peut causer des céphalées, fatigue, vertiges, vomissements, confusion, une attaque, des nausées, d'évanouissements ou la mort. Si vous commencez à éprouver un de ces symptômes, passez IMMÉDIATEMENT à un endroit avec de l'air frais. Consulter un médecin.
- Empêcher les gaz d'échappement d'entrer dans un espace confiné par les fenêtres, les portes, les entrées d'air ou d'autres ouvertures. Avertir aux occupants à l'intérieur sur les symptômes du monoxyde de carbone pour qu'ils savent qu'ils doivent se déplacer à un endroit avec de l'air frais s'ils commencent à se sentir mal.
- L'utilisation d'un détecteur de monoxyde de carbone à l'intérieur des locaux occupés entre la laveuse à pression et l'occupant est recommandé.
- NE JAMAIS démarrer ou faire fonctionner le moteur dans un espace clos ou à l'intérieur, MÊME SI les portes et les fenêtres sont ouvertes.
- S'il y a un risque d'inhalation de vapeurs, utiliser un appareil ou un masque respiratoire.
- Lire soigneusement les instructions d'emploi du masque ou du respirateur afin d'être certain qu'il protège efficacement contre l'inhalation de vapeurs dangereuses. Si vous commencez à éprouver un des symptômes du monoxyde de carbone, passez IMMÉDIATEMENT à un endroit avec de l'air frais.

**! DANGER : NE JAMAIS diriger le pistolet de pulvérisation vers les personnes, les animaux ou les dispositifs électriques. Des blessures sérieuses ou la mort surviendront. TOUJOURS diriger le pistolet de pulvérisation dans une direction sécuritaire, presser la gâchette du pistolet de pulvérisation pour relâcher la haute pression chaque fois que vous arrêtez le moteur. Engager le verrou de la gâchette lorsqu'il n'est pas utilisé.**



- Le jet d'eau à haute pression produit par cet appareil peut percer la peau et ses tissus sous-jacents, pouvant mener à des blessures sérieuses, une possible amputation ou la mort. Le pistolet de pulvérisation retient la haute pression de l'eau, MÊME LORSQUE le moteur est arrêté et l'eau est débranchée, ce qui peut causer des blessures.
- NE JAMAIS laisser les ENFANTS utiliser la laveuse à pression ou jouer à proximité. Cet outil n'est PAS un jouet.
- NE JAMAIS tenter de réparer le tuyau à haute pression. Le remplacer.
- NE JAMAIS réparer les connexions qui fuient avec un mastic d'étanchéité. Remplacer le joint torique ou le joint.
- NE JAMAIS brancher le tuyau à haute pression à la rallonge de buse.
- Toujours garder le tuyau à haute pression raccordé à la pompe et au pistolet de pulvérisation lorsque le système est sous pression.
- NE JAMAIS sécuriser le pistolet de pulvérisation à la position ouverte.
- NE JAMAIS laisser le pistolet de pulvérisation sans surveillance lorsque l'appareil est en fonctionnement.
- NE JAMAIS utiliser un pistolet de pulvérisation qui n'a pas de verrouillage de gâchette ou une protection de gâchette en place et en état de fonctionnement.
- TOUJOURS s'assurer que le pistolet de pulvérisation, les buses et les accessoires sont bien fixés.

**! AVERTISSEMENT : Risque d'électrocution.**



**Le contact avec une source d'alimentation peut provoquer un choc électrique ou des brûlures.**

- NE JAMAIS pulvériser près d'une source d'alimentation.

**! AVERTISSEMENT : Le contact avec la zone du pot d'échappement peut provoquer des blessures sérieuses. La chaleur/les gaz d'échappement peuvent enflammer les combustibles, des structures ou endommager le réservoir de carburant provoquant un incendie.**



- NE PAS toucher les pièces chaudes et ÉVITER les gaz d'échappement chauds.

• Laisser l'équipement refroidir avant d'y toucher.

• Conserver un débatement d'au moins 5,2 pieds (152 cm) autour de la laveuse à pression, y compris au-dessus de la laveuse.



• L'utilisation ou le fonctionnement du moteur sur tout terrain couvert de forêt, broussailles ou herbes, est une violation du Code de ressources publiques de l'État de la Californie, Section 4442, à moins que le système d'échappement est équipé d'un pare-étincelles, tel que défini dans la Section 4442, maintenu en bon état de fonctionnement. D'autres États ou juridictions fédérales peuvent avoir des lois similaires.

Contactez le fabricant de l'appareil d'origine, le distributeur ou le dépositaire afin d'obtenir un pare-étincelles conçu pour le système d'échappement installé sur ce moteur.

- Les pièces de rechange doivent être les mêmes et installées dans la même position que les pièces d'origine.

**! AVERTISSEMENT : Le carburant et ses vapeurs sont extrêmement inflammables et explosives. Un incendie ou une explosion peut provoquer des brûlures graves ou la mort.**



**AU MOMENT D'AJOUTER OU VIDER LE CARBURANT**

- Éteindre la laveuse à haute pression et laisser refroidir au moins deux (2) minutes avant de retirer le capuchon du carburant. Dévissez le capuchon pour libérer la pression du réservoir.
- Remplir ou vider le réservoir de carburant à l'extérieur.



• NE PAS trop remplir le réservoir. Laisser de la place pour l'expansion du carburant.

- S'il y a des fuites de carburant, attendez qu'elles s'évaporent avant de démarrer le moteur.
- Gardez le carburant éloigné des étincelles, des flammes, d'une lumière pilote, la chaleur et de toute autre source de combustion.
- NE PAS allumer de cigarettes, ni fumer.

**LORSQUE VOUS DÉMARREZ L'APPAREIL**

- Assurez-vous que la bougie, le pot d'échappement, le capuchon du carburant et le filtre à air sont en place.
- NE PAS démarrer le moteur avec la bougie d'allumage enlevée.

**UTILISATION DE L'ÉQUIPEMENT**

- NE JAMAIS incliner le moteur ni l'équipement au point que l'essence se mette à couler.
- NE PAS vaporiser de liquides inflammables.

**TRANSPORT ET RÉPARATION DE L'ÉQUIPEMENT**

- VIDER le réservoir et FERMER le robinet d'essence pour transporter et réparer l'équipement.
- Débrancher le fil de la bougie d'allumage.

**ENTREPOSAGE D'ESSENCE OU D'UN ÉQUIPEMENT DONT LE RÉSERVOIR CONTIENT DE L'ESSENCE.**

- NE PAS entreposer à proximité de fours, poêles, chauffe-eau, sèche-linge ou d'autres appareils susceptibles de comporter une veilleuse ou une source potentielle d'inflammation des vapeurs d'essence.

**AVERTISSEMENT : L'utilisation de la laveuse à pression peut créer des flaques et les surfaces glissantes. Le rebond du pistolet de pulvérisation peut vous faire tomber.**



- Utiliser uniquement sur une surface équilibrée.
- La pente et le drainage de l'aire de nettoyage doivent être suffisants pour réduire le risque de chute accru sur des surfaces glissantes.



- Ne pas utiliser sur une surface élevée où les probabilités d'un effet rebond pourraient entraîner d'une chute grave.
- Tenez fermement le pistolet de pulvérisation à deux mains lors de l'utilisation du jet à haute pression pour éviter des blessures quand le pistolet de pulvérisation fait un effet de rebond.

**AVERTISSEMENT : Le démarreur et les autres pièces en rotation peuvent attraper les mains, les cheveux, les vêtements ou les accessoires.**



- NE JAMAIS utiliser une laveuse à pression sans le capot ou de les couvercles protecteurs.
- NE PAS porter de vêtements amples, de bijoux ni d'autres effets qui pourraient être happés par le démarreur ou les autres pièces en rotation.
- Retenir les cheveux longs en chignon et retirer les bijoux.

**AVERTISSEMENT : L'effet de rebond de la corde du démarreur (rétroaction rapide) peut entraîner des blessures corporelles. Le rebond va tirer la main et le bras vers le moteur plus rapidement que ce que vous pourrez laisser aller. Vous pouvez souffrir des fractures, des bleus ou des entorses.**



- NE JAMAIS tirer sur le cordon de démarrage sans relever premièrement la pression du pistolet de pulvérisation.
- Pour relâcher la pression retenue, pointer le pistolet une direction sans danger et relâcher la pression en tirant / actionnant la gâchette du pistolet de pulvérisation.
- Lors du démarrage du moteur, tirer lentement sur la corde jusqu'à sentir une résistance, puis tirer rapidement afin d'éviter l'effet de recul.
- Après chaque tentative de démarrage, lorsque le moteur ne démarre pas, toujours pointer le pistolet dans une direction sans danger et appuyer sur la détente pour libérer la haute pression d'eau.
- Tenir fermement le pistolet de pulvérisation à deux mains lors de l'utilisation du jet à haute pression pour éviter des blessures quand le pistolet de pulvérisation fait un effet de rebond.

**AVERTISSEMENT : La production involontaire d'étincelles peut provoquer un incendie ou une électrocution.**



**POUR RÉGLER OU RÉPARER VOTRE LAVEUSE À PRESSION.**

- Débrancher le fil de bougie d'allumage et l'écarté de sorte qu'il ne puisse toucher la bougie.



**LORS DES ESSAIS D'ALLUMAGE**

- Utiliser un testeur de bougie d'allumage approuvé.
- NE PAS vérifier l'étincelle avec la bougie d'allumage enlevée.

**AVERTISSEMENT : Risque de blessure aux yeux. Le jet peut éclabousser ou propulser des objets.**



- Toujours porter des lunettes de sécurité lors de l'utilisation de ce matériel ou dans la zone où ce matériel est utilisé.
- Avant de démarrer la laveuse à pression, veiller à porter des lunettes de sécurité adaptées.
- NE JAMAIS substituer les verres de sécurité par des lunettes de sécurité.

## AVERTISSEMENT PROPOSITION 65 CALIFORNIE

L'échappement du moteur et certains de ses constituants sont susceptibles selon l'État de Californie d'entraîner des cancers, des malformations congénitales ou pouvant être nocifs pour le système reproductif.

## AVERTISSEMENT PROPOSITION 65 CALIFORNIE

Ce produit contient ou émet des produits chimiques susceptibles selon l'État de Californie d'entraîner des cancers, des malformations congénitales ou autres maladies pouvant être nocives pour le système reproductif.

### REMARQUE :

**Le jet à haute pression peut endommager les objets fragiles comme le verre.**

- NE PAS pointer le pistolet de pulvérisation vers le verre lors de l'utilisation de la buse rouge MAX (0 °).
- NE JAMAIS diriger le pistolet de pulvérisation vers les personnes, les animaux, les dispositifs électriques ou les plantes.

### REMARQUE :

**Un traitement inadéquat de la laveuse à pression peut l'endommager et réduire sa durée de vie utile.**

- Si vous avez des questions concernant les utilisations prévues, demandez au dépositaire ou contactez un centre de services qualifié.
- NE JAMAIS utiliser un appareil dont des pièces sont cassées, manquantes ou non munies de leur capot ou de leurs couvercles protecteurs.
- NE neutraliser AUCUN dispositif de sécurité de cette machine.
- NE PAS faire fonctionner la laveuse à pression à une pression supérieure à la pression nominale.
- NE MODIFIEZ PAS en aucune façon, la laveuse à pression.
- Par temps froid, avant de démarrer la laveuse à pression, vérifier tous ses éléments pour vérifier l'absence de gel.
- Ne JAMAIS utiliser le tuyau à haute pression comme poignée pour déplacer l'appareil. Toujours utiliser pour cela la poignée de l'appareil.
- Vérifier la présence de fuites ou de signes de détérioration du circuit de carburant, comme un tuyau usé ou spongieux, des brides desserrées ou manquantes, ou un réservoir ou un capuchon endommagé. Réparer toutes les déficiences avant d'utiliser la laveuse à pression.
- Cet appareil est conçu pour être utilisé avec les pièces autorisées de Generac SEULEMENT. Si l'équipement est utilisé avec des pièces qui NE sont PAS conformes aux caractéristiques minimales, tous les risques et responsabilités incomberont à l'utilisateur.

## CONNAÎTRE VOTRE LAVEUSE À PRESSION

Lisez ce manuel d'instructions et les règles de sécurité avant d'utiliser votre laveuse à haute pression.

Si vous prêtez cet appareil à quelqu'un, prêtez-lui TOUJOURS TOUTES les instructions aussi. Comparez les illustrations avec votre laveuse à haute pression afin de vous familiariser avec l'emplacement des différents contrôles (Figure 1). Gardez ce manuel pour consultation future. Les manuels du propriétaire de remplacement peuvent être imprimés à partir du site Web de Generac.

- A - Pistolet de pulvérisation** – Contrôle l'application d'eau sur la surface à nettoyer avec la gâchette à vapeur. Comprend un blocage pour la gâchette à vapeur.
- B - Lance avec raccord rapide** – Vous permet de changer entre quatre différentes buses.
- C - Tuyau à haute pression** – Branchez une extrémité à la pompe d'eau et l'autre au pistolet de pulvérisation.
- D - Lanceur à rappel** – Pour mettre le moteur en marche.
- E - Réservoir d'huile** – Vérifiez et ajoutez de l'huile à moteur ici.
- F - Filtre à air** – Protège le moteur en filtrant la poussière et les débris de l'air d'admission.
- G - Pompe** – Développe la haute pression.
- H - Soupape de suppression thermique** – Possède un cycle d'eau à travers la pompe quand l'eau atteint 125 °F. L'eau chaude se décharge de la pompe sur le sol. Ceci empêche des dommages internes de la pompe.
- I - Interrupteur On/Off (Marche/Arrêt) du moteur** – Mettez l'interrupteur à la position « ON » avant d'utiliser le lanceur à rappel. Mettez l'interrupteur à la position « OFF » pour arrêter le moteur.
- J - Contrôle de pression/Soupape de marche à vide** – Contrôle la sortie de haute pression.

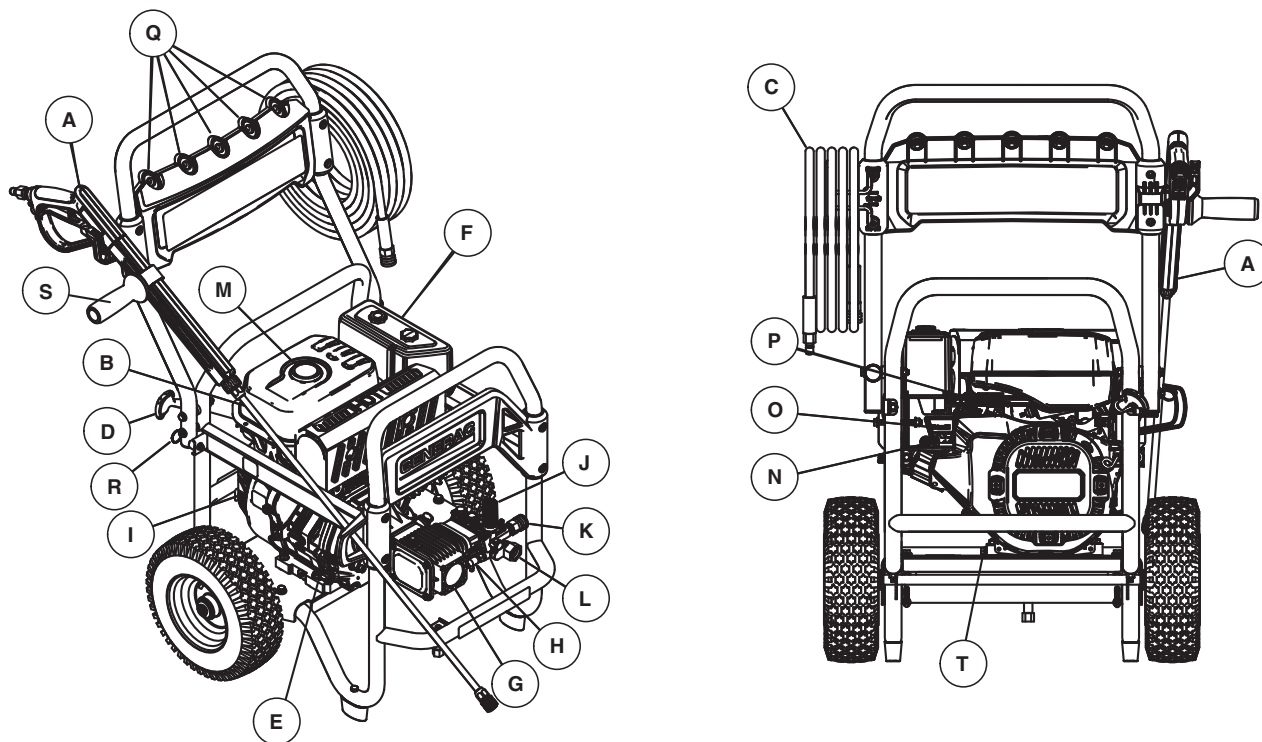
- K - Sortie haute pression** – Raccord pour le tuyau à haute pression.
- L - Entrée d'eau** – Raccord pour le tuyau d'arrosage.
- M - Réservoir de carburant** – Remplissez le réservoir avec de l'essence sans plomb. Toujours laisser de la place pour l'expansion du carburant.
- N - Interrupteur On/Off (Marche/Arrêt) du carburant** – Met l'alimentation en carburant vers le moteur en marche ou en arrêt.
- O - Étrangleur** – Prépare un moteur froid pour le démarrage.
- P - Levier de régulateur** – Augmente ou diminue la vitesse du moteur. L'accélérateur doit être au maximum lorsque la laveuse à pression est utilisée.
- Q - Buses** – Injection de produits chimiques, 0°, 15°, 25°, 40° (blanches, jaunes, rouges et noires) pour les diverses nettoyages à haute pression.
- R - Goupille de déverrouillage** – Tirer sur l'anneau pour déverrouiller la poignée. Ceci permet à la poignée de se replier pour le rangement.
- S - Poignée latérale ajustable** – Ajustable en tournant dans le sens contraire des aiguilles d'une montre pour la desserrer, ajuster à la position la plus confortable et serrer dans le sens contraire. Ceci permet avoir une prise ferme de fonctionnement du pistolet de pulvérisation.
- T - Purgeur d'huile** – Drainer l'huile à moteur ici.

## ARTICLES NON MONTRÉS

**Étiquette d'identification (près de l'arrière de la plaque de base)** – Fournit le modèle et le numéro de série de la laveuse à pression. Tenir ces renseignements à disposition lors d'un appel pour assistance.

**Filtre/Tuyau à siphon pour détergent** – Utilisé pour siphonner les détergents sécuritaires de la laveuse à pression dans le jet à basse pression.

Figure 1 – Features & Controls



## SPÉCIFICATIONS DU PRODUIT

Pression - (PSI / BAR)	3000 / 207	3300 / 228	4000 / 276
Débit - (GPM/LPM)	2,8 / 10,6	3,2 / 12,1	4,0 / 15,1
Température de l'eau - (°F / C°)	100/38 Max,		
Longueur du tuyau - (Pieds/Mètres)	35 / 10,7		50 / 15,2
Buses - Nombre par appareil	5		
Longueur de la lance (pouces/cm)	20 / 51	33 / 84	33 / 84
Pistolet	Professionnel		
Déplacement du moteur - (pouce cube/cc)	12,9 / 212	18,4 / 302	25,6 / 420
Type de bougie d'allumage	F7RTC ou équivalent		
Écartement de bougie d'allumage - (Pouces/mm)	0,028-0,031/0,70-0,80		
Capacité de carburant - (Quarts/Litres)	3,2 / 3,0	4,9 / 4,63	6,3 / 6,0
Capacité de carburant du moteur - (Onces/Litres)	20 / 0,6	37 / 1,1	37 / 1,1
Système d'arrêt d'huile basse	Oui		
Interrupteur marche/arrêt	Oui		

## DÉBALLAGE

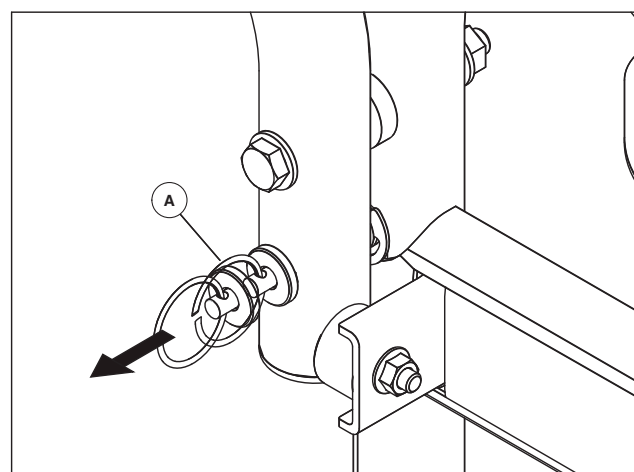
- Sortir tous les accessoires et composants livrés avec la laveuse à pression.
- Ouvrez la boîte complètement en coupant tous les coins du haut vers le bas.
- Assurez-vous d'avoir tous les pièces incluses avant l'assemblage.
  - Unité principale
  - Tuyau à haute pression
  - Filtre et tuyau à siphon
  - Pistolet de pulvérisation
  - Lance avec raccord rapide
  - Bouteille d'huile
  - Sac à pièces (comprend les pièces suivantes):
    - ~ Armature de crochet du tuyau et clé hexagonale
    - ~ Manuel d'instructions
    - ~ Carte d'enregistrement du propriétaire
    - ~ Sac contenant les buses à code de couleur
    - ~ Filter Screen
- S'il vous manque un article de votre boîte, veuillez appeler le Service à la clientèle de Generac au 1-888-436-3722. Quand vous appelez, veuillez avoir le modèle et le numéro de série de l'étiquette de données.
- Complétez et envoyez la fiche d'enregistrement. Écrivez le numéro de modèle, le numéro de série et la date d'achat dans le tableau qui se trouve à la section « Où nous trouver ». ».

## ASSEMBLAGE

Lisez tout le manuel d'instructions avant d'essayer d'assembler ou, si vous avez des problèmes avec l'assemblage de votre laveuse à pression, veuillez appeler le Service à la clientèle de Generac au 1-888-436-3722. Quand vous appelez, veuillez avoir le modèle et le numéro de série de l'étiquette de données.

- La poignée peut être repliée vers le bas ou verrouillée en place en utilisant la goupille de déverrouillage intégrée.

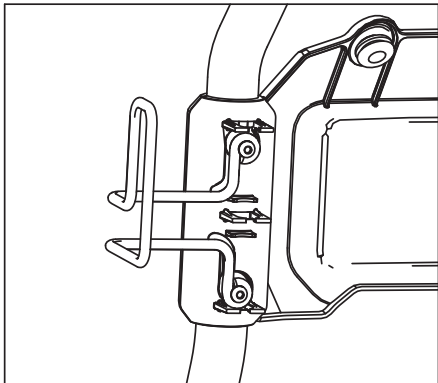
**Figure 2 - Attacher la poignée**



## Configuration

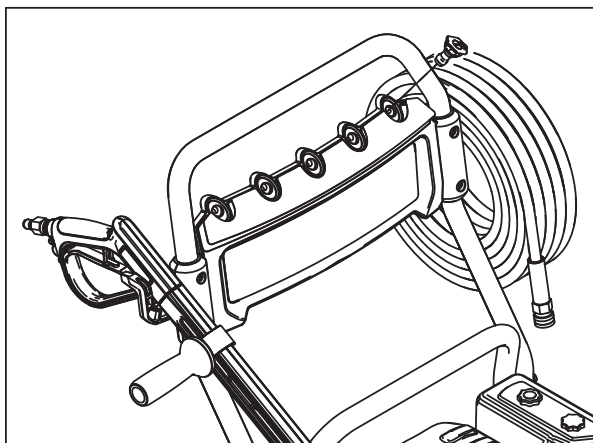
2. Installer le crochet du tuyau en utilisant les vis fournies et la clé hexagonale (Figure 3).

**Figure 3 – Installer le crochet du tuyau**



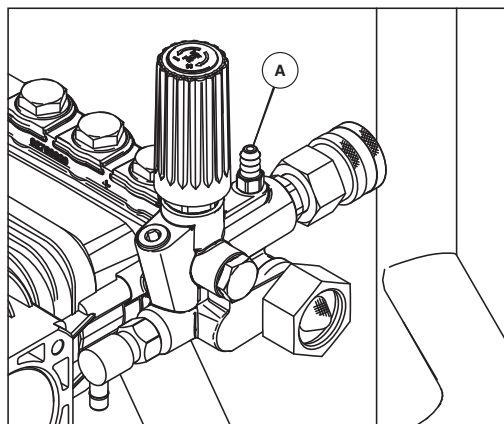
3. Insérez les buses à code de couleur dans les espaces fournis dans la poignée (Figure 4).
4. Placer le pistolet de pulvérisation et la rallonge des buses dans le porte-pistolet, comme illustré (Figure 4).

**Figure 4 - Insérer les buses**



5. Enroulez le tuyaux à pression et accrochez-le sur le crochet.
6. Attachez le tuyau à siphon à l'emplacement A (Figure 5).

**Figure 5 - Emplacement du tuyau à siphon**



## AJOUTER L'HUILE À MOTEUR

1. Mettre la laveuse à pression sur une surface solide et plane.
2. Nettoyer le secteur situé autour du réservoir d'huile et enlever la jauge/le capuchon du réservoir d'huile.
3. Utiliser l'entonnoir (optionnel), verser lentement le contenu de la bouteille d'huile fournie dans l'orifice de remplissage d'huile. Voir la section Entretien pour les recommandations du type d'huile.

### REMARQUE :

**Dans certaines unités, il y a plus d'un emplacement de remplissage d'huile. Dans ces cas, il faut simplement utiliser l'un des points de remplissage d'huile.**

4. Vérifier à tous les jours jusqu'à ce que la marque est COMPLÈTEMENT atteinte. NE PAS TROP REMPLIR.

### REMARQUE :

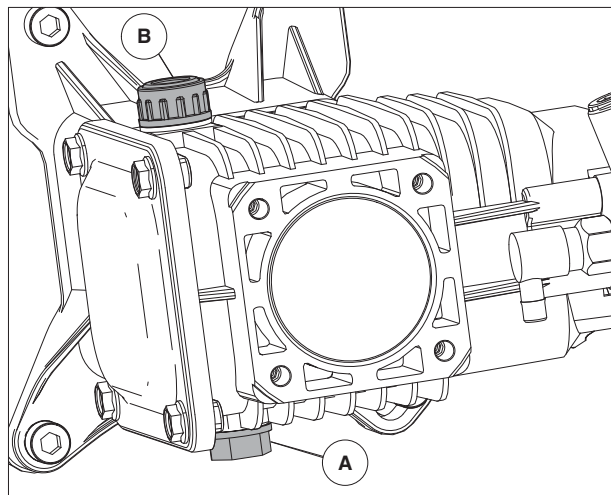
**Toute tentative de faire tourner ou de démarrer le moteur avant qu'il ait été correctement entretenu avec l'huile recommandée peut entraîner une panne du moteur.**

5. Remplacez la jauge/le capuchon de remplissage d'huile et serrez complètement.

## VÉRIFIER L'HUILE À POMPE

1. Mettre la laveuse à pression sur une surface solide et plane.
2. Nettoyer le secteur situé autour du réservoir d'huile et enlever la jauge/cape ventilée (B) (Figure 6).
3. Vérifier pour confirmer que le niveau d'huile est plein jusqu'à la ligne « Full » de la jauge. Si de l'huile est nécessaire, voir section Entretien. NE PAS TROP REMPLIR.
4. Voir la section Entretien pour des informations supplémentaires concernant l'entretien de l'huile de la pompe.
5. Remplacez la jauge/le capuchon de remplissage d'huile et serrez complètement.

**Figure 6 - Vérifier l'huile à pompe**





## AJOUTER DU CARBURANT

Le carburant doit se conformer aux exigences suivantes :

- Carburant propre, frais, sans plomb.
- Un minimum de 87 octanes/87 AKI (91 IOR).
- L'essence contenant jusqu'à 10% d'éthanol (essence-alcool) est acceptable.

### REMARQUE :

Éviter tout dommage à la laveuse à pression. Le non-respect du manuel d'utilisation à propos des recommandations du carburant annule la garantie.

- NE PAS utiliser de l'essence non approuvée comme E85.
- NE PAS mélanger de l'huile dans l'essence.
- NE PAS modifier le moteur pour fonctionner avec d'autres carburants.

Pour protéger le système de carburant d'une gélification, mélanger avec un stabilisateur de carburant lorsque vous ajoutez du carburant. Voir Entreposage. Tous les carburants ne sont pas le même. Si vous rencontrez des problèmes de performance ou de démarrage après l'utilisation d'un carburant, changez à un fournisseur de carburant différent ou changez les marques.

### ⚠ AVERTISSEMENT

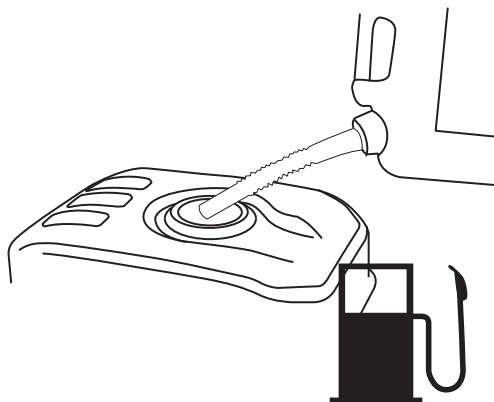


**Le carburant et ses vapeurs sont extrêmement inflammables et explosives. Un incendie ou une explosion peut provoquer des brûlures graves ou la mort.**

## AU MOMENT D'AJOUTER DU CARBURANT

- Éteindre la laveuse à haute pression et laisser refroidir au moins deux (2) minutes avant de retirer le capuchon du carburant. Dévissez le capuchon pour libérer la pression du réservoir.
  - Remplir le réservoir de carburant à l'extérieur.
  - NE PAS trop remplir le réservoir. Laisser de la place pour l'expansion du carburant.
  - S'il y a des fuites de carburant, attendez qu'elles s'évaporent avant de démarrer le moteur.
  - Gardez le carburant éloigné des étincelles, des flammes, d'une lumière pilote, la chaleur et de toute autre source de combustion.
  - NE PAS allumer une cigarette ou ne pas fumer.
1. Nettoyer le secteur situé autour du capuchon de remplissage de carburant, enlever le capuchon.
  2. Ajouter lentement de l'essence sans plomb au réservoir de carburant. Attention à ne pas trop remplir. Remplir au bas de la grille filtrante, ce qui permettra l'expansion du carburant (Figure 7).
  3. Installer le capuchon de carburant et laisser évaporer les fuites de carburant avant de démarrer le moteur.

**Figure 7 - Ajouter du carburant**



## BRANCHER LE TUYAU ET L'APPROVISIONNEMENT D'EAU À LA POMPE

### REMARQUE :

**NE PAS faire fonctionner la pompe si l'alimentation en eau n'est pas raccordée et ouverte. La garantie sera annulée si l'équipement est endommagé par suite du non-respect de cette instruction.**

### REMARQUE :

**Retirez et jetez le capuchon de transport de l'entrée d'eau de la pompe avant d'attacher le tuyau.**

1. Laisser couler l'eau avec votre tuyau d'arrosage pendant 30 secondes pour nettoyer tous les débris.
2. Avant de brancher le tuyau d'arrosage à l'entrée d'eau, vérifier le filtre d'entrée (A) (Figure 8). The cone should face outward. Nettoyer le filtre s'il contient des débris ou remplacer s'il est endommagé. NE PAS faire fonctionner la laveuse à pression si le filtre d'entrée est endommagé.

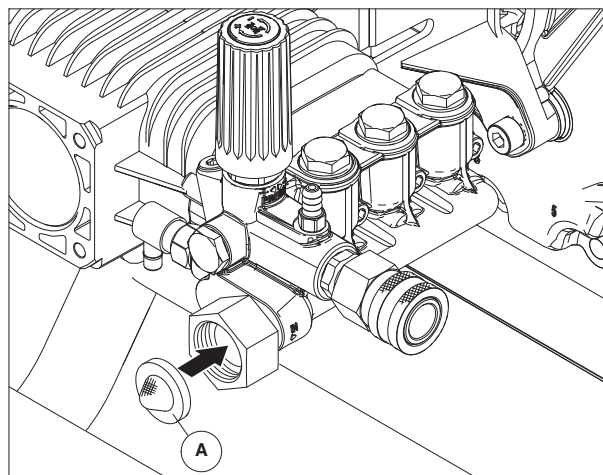
**IMPORTANT :** NE PAS siphonner de l'eau stagnante pour l'approvisionnement d'eau. Utilisez SEULEMENT de l'eau froide (moins de 100 °F). L'approvisionnement d'eau doit être suffisante pour traiter plus de 3,8 gallons par minute et pas moins de 30 psi.

### REMARQUE :

**L'utilisation d'une soupape unidirectionnelle (brise-vide ou clapet antiretour) à l'entrée de la pompe peut entraîner des dommages à la pompe ou au connecteur d'entrée.**

- Il DOIT y avoir au moins dix pieds de tuyau d'arrosage sans restriction entre l'entrée de la laveuse à pression et tout autre appareil, comme une brise-vide ou un clapet antiretour.
- La garantie sera annulée si l'équipement est endommagé par suite du non-respect de cette instruction.

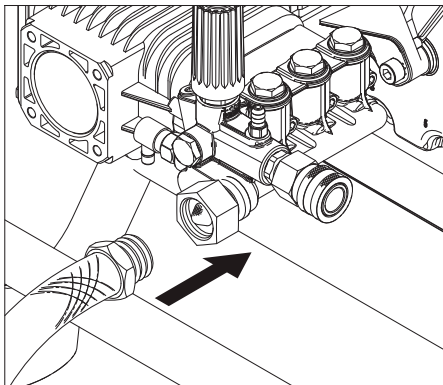
**Figure 8 – Installer le filtre d'entrée**



3. Brancher le tuyau d'arrosage (à ne pas dépasser 50 pieds de longueur) à l'entrée d'eau (Figure 9). Serrer à la main.

## Configuration

Figure 9 – Brancher le tuyau d'arrosage

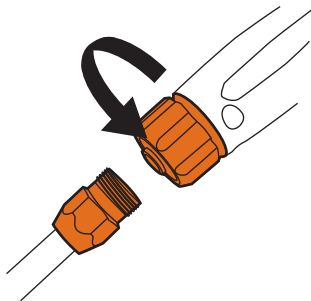


### ⚠ AVERTISSEMENT

 **Risque de blessure aux yeux. Le jet peut éclabousser ou propulser des objets.**

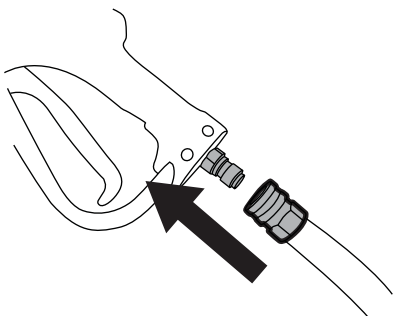
- Toujours porter des lunettes de sécurité lors de l'utilisation de ce matériel ou dans la zone où ce matériel est utilisé.
  - Avant de démarrer la laveuse à pression, veiller à porter des lunettes de sécurité adaptées.
  - NE JAMAIS substituer les verres de sécurité par des lunettes de sécurité.
4. Brancher la lance au pistolet de pulvérisation (Figure 10). Serrer à la main.

Figure 10 - Attacher la lance




5. Brancher l'extrémité du tuyau à haute pression à la base du pistolet de pulvérisation (Figure 11).

Figure 11 – Brancher le tuyau au pistolet de pulvérisation

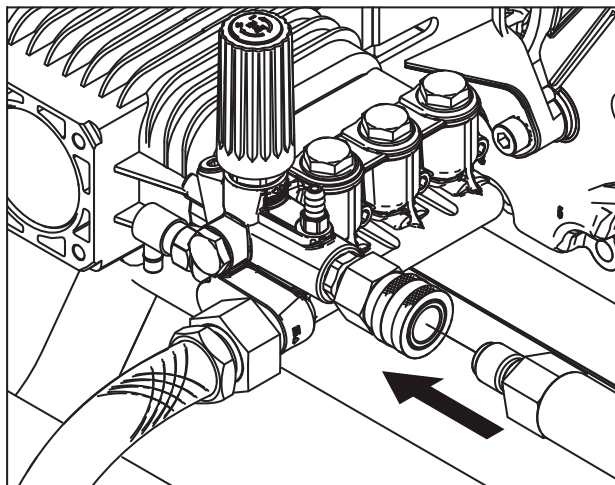


### ⚠ DANGER

 **Le jet d'eau à haute pression produit par cet appareil peut percer la peau et ses tissus sous-jacents, pouvant mener à des blessures sérieuses, une possible amputation ou la mort. Le pistolet de pulvérisation conserve l'eau à haute pression, même lorsque le moteur est arrêté et l'arrivée d'eau débranchée, et peut donc provoquer des blessures.**

- NE JAMAIS brancher le tuyau à haute pression à la lance.
  - Toujours garder le tuyau à haute pression raccordé à la pompe et au pistolet de pulvérisation lorsque le système est sous pression.
  - Toujours s'assurer que le pistolet de pulvérisation, les buses et les accessoires sont bien fixés.
6. Brancher le tuyau à haute pression à la pompe (dérouler le tuyau avant de brancher à la pompe ou au pistolet de pulvérisation) (Figure 12).

Figure 12 – Brancher le tuyau à haute pression à la pompe

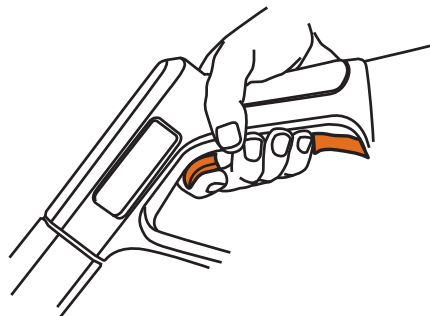


7. Mettez en MARCHE l'eau, appuyez sur la gâchette afin de purger l'air dans le système de la pompe (Figure 13).

### ⚠ ATTENTION

 **Le tuyau peut être endommagée si elle entre en contact avec un moteur chaud ou le silencieux.**

Figure 13 - Appuyer sur la gâchette




## COMMENT UTILISER LES BUSES

Le raccord rapide sur la lance de buse vous permet de changer entre les différentes buses. Les buses peuvent être modifiées lorsque la laveuse à pression est en fonctionnement, une fois que la gâchette du pistolet de pulvérisation est verrouillée à la position de sécurité. Les buses modifient la pression et le jet, comme indiqué.

- Pour un nettoyage plus efficace, garder la buse de 8 à 24 pouces (20 à 61 cm) éloignée de la surface à nettoyer.
- Si vous avez la buse trop près, surtout avec une buse à haute pression, vous risquez d'endommager la surface que vous nettoyez.

### ⚠ DANGER

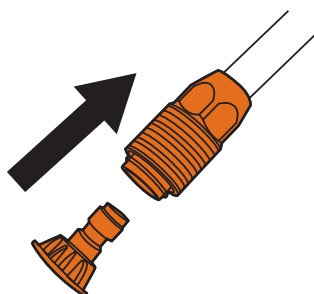
 **Le jet d'eau à haute pression produit par cet appareil peut percer la peau et ses tissus sous-jacents, pouvant mener à des blessures sérieuses, une possible amputation ou la mort. Le pistolet de pulvérisation conserve l'eau à haute pression, même lorsque le moteur est arrêté et l'arrivée d'eau débranchée, et peut donc provoquer des blessures.**

- NE JAMAIS échanger les buses sans engager le verrou de la gâchette du pistolet de pulvérisation.
- NE PAS tordre les buses pendant la pulvérisation.

Utiliser les instructions suivantes pour changer les buses :

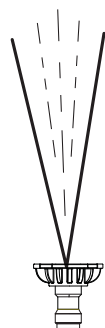
1. Retirer le collier sur le raccord rapide et ensuite la buse. Entreposer les buses dans le support de rangement d'accessoires (Figure 14).

Figure 14 - Buses



2. Choisissez la buse désirée :
  3. Tirer sur le collier, insérer la nouvelle buse et relâcher le collier. Tirez sur la buse pour vous assurer qu'elle est bien en place.
- La BUSE BLANCHE est utilisée pour un rinçage délicat (pression faible et débit plus élevé), pour le nettoyage doux des voitures/camions, bateaux, véhicules de camping, mobilier de jardin, équipement d'entretien de pelouse, etc. (Figure 15).

Figure 15 – Buse à basse pression (blanche)



- La BUSE JAUNE est pour un rinçage générale (pression moyenne et débit moyen), idéal pour la plupart des nettoyages tout usage comme les entrées, les patio en brique, es terrasses en bois, les entrées de cour et les trottoirs, les planchers des garages, etc. (Figure 16).

Figure 16 – Buse à moyenne pression (jaune)



- La BUSE ROUGE est pour un rinçage maximale (pression plus élevée et débit plus bas), pour les surfaces plus rebelles ou difficiles à atteindre comme les surfaces du deuxième étage, l'enlèvement de peinture, les taches d'huile, l'élimination de la rouille ou d'autres substances tenaces (du goudron, de la gomme, de la graisse, de la cire, etc.) (Figure 17).

### ⚠ ATTENTION

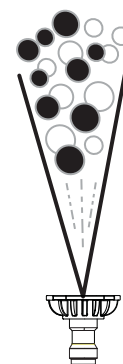
 **Cette extrémité (Buse rouge) peut endommager les surfaces de travail si elle est trop proche ou tenue dans la même position pendant une période prolongée.**

Figure 17 – Buse à pression maximale (rouge)



- Utiliser la BUSE NOIRE lorsque vous appliquez du détergent (Figure 18). Utiliser uniquement des savons/détergents sécuritaires de la laveuse à pression pour aider à éliminer la saleté tenace sur une variété de surfaces.

Figure 18 - Buse pour détergent (noire)



## NETTOYER ET UTILISER DU DÉTERGENT

### ▲ ATTENTION

#### ! Les produits chimiques peuvent causer des blessures corporelles et / ou des dommages matériels.

- NE JAMAIS utiliser du liquide caustique avec la laveuse à pression
- Utiliser UNIQUEMENT des savons/détergents sécuritaires de la laveuse à pression. Suivre toutes les instructions du fabricant.

Pour appliquer le détergent, suivez les étapes suivantes :

1. Revoir l'utilisation appropriée des buses.
2. Préparer la solution de détergent comme requis pour le travail dans un récipient situé à proximité du tuyau à siphon.
3. S'assurer que le tuyau à siphon reste totalement immergé dans le détergent.

#### REMARQUE :

**S'assurer que le filtre reste totalement immergé dans le détergent quand vous utilisez le détergent.**

#### REMARQUE :

**Le contact avec le pot d'échappement chaud peut endommager le tuyau à siphon de détergent.**

- Lorsque vous insérez le siphon dans une bouteille de solution de détergente, acheminez le tuyau afin de prévenir un contact malencontreusement avec le pot d'échappement chaud.
7. Assurez-vous que la buse de détergent noire est installée.

#### REMARQUE :

**Le détergent ne peut pas être appliqué avec les buses à haute pression (jaune, blanche, verte ou rouge). Utiliser uniquement la buse noire avec du détergent.**

8. Confirmer que toutes les instructions de configuration ont été suivies.

#### REMARQUE :

**Avant de démarrer le moteur, il est impératif de raccorder tous les tuyaux.**

- La pompe sera endommagée si le moteur est démarré en l'absence de tuyaux branchés et l'alimentation d'eau.
  - La garantie sera annulée si l'équipement est endommagé par suite du non-respect de ces instructions.
9. Démarrer le moteur en suivant les instructions Comment Démarrer Votre Laveuse à Pression.
  10. Appliquer le détergent sur une surface sèche, à partir de la partie inférieure de la zone à être lavée et travailler vers la partie supérieure en utilisant des mouvements longs, uniformes, se chevauchant.
  11. Laissez le détergent « tremper » de 3 à 5 minutes avant de laver et rincer. Rappliquez si nécessaire pour ne pas permettre que la surface se sèche. NE PAS laisser le détergent sécher sur la surface que vous nettoyez (pour éviter les marques).

**IMPORTANT :** Vous devez vider le système à siphon du détergent après chaque utilisation en plaçant le filtre dans un seau d'eau propre, puis démarrez la laveuse à basse pression pendant 1-2 minutes.

## RINÇAGE DE LA LAVEUSE À PRESSION

1. Retirer la buse de détergent noire de la lance.
2. Sélectionner et installer la buse à haute pression souhaitée suivant les instructions Comment utiliser les buses.
3. Diriger le pistolet de pulvérisation dans une direction sécuritaire et jamais vers les personnes, les animaux et les plants. Appuyer sur la gâchette afin de purger des produits chimiques restants dans le système.
4. Tenir le pistolet de pulvérisation à une distance sécuritaire de la zone que vous désirez pulvériser.

### ▲ AVERTISSEMENT



**Le rebond du pistolet de pulvérisation peut vous faire tomber.**

- Utiliser uniquement sur une surface équilibrée.
  - Ne pas utiliser sur une surface élevée pour prévenir le risque d'une chute grave.
  - Tenir fermement le pistolet de pulvérisation à deux mains lors de l'utilisation du jet à haute pression pour éviter des blessures quand le pistolet de pulvérisation fait un effet de rebond.
5. Appliquer un jet à haute pression sur une petite surface, puis vérifier la surface en cas de dommages. S'il n'y a pas de dommages, vous pouvez considérer qu'il est acceptable de continuer à rincer.
  6. Commencer en haut de la zone à rincer et continuer vers le bas en faisant chevaucher les passes, comme vous avez fait pour le nettoyage.

## NETTOYER LE TUYAU À SIPHON DE DÉTERGENT

Si vous avez utilisé le tuyau à siphon de détergent, vous devez le rincer avec de l'eau propre avant d'arrêter le moteur.

1. Placer le filtre/tuyau de siphon de détergent dans un seau rempli d'eau propre.
2. Retirer la buse à haute pression de la rallonge de buse.
3. Sélectionner et installer la buse de détergent noire suivant les instructions Comment utiliser les buses.
4. Rincer pendant 1 à 2 minutes.
5. Arrêter le moteur suivant les instructions Comment arrêter la laveuse à pression et éteindre l'approvisionnement d'eau.
6. TOUJOURS diriger le pistolet de pulvérisation dans une direction sécuritaire, appuyer sur la gâchette du pistolet de pulvérisation pour relâcher la haute pression de l'eau retenue. Engager le verrou de la gâchette lorsqu'il n'est pas utilisé.

**IMPORTANT :** Le pistolet de pulvérisation retient la haute pression de l'eau, même lorsque le moteur est arrêté et l'eau est débranchée, ce qui peut causer des blessures.

### ▲ DANGER



**Le jet d'eau à haute pression produit par cet appareil peut percer la peau et ses tissus sous-jacents, pouvant mener à des blessures sérieuses, une possible amputation ou la mort. Le pistolet de pulvérisation conserve l'eau à haute pression, même lorsque le moteur est arrêté et l'arrivée d'eau débranchée, et peut donc provoquer des blessures.**

- Toujours garder le tuyau à haute pression raccordé à la pompe et au pistolet de pulvérisation lorsque le système est sous pression.
- TOUJOURS diriger le pistolet de pulvérisation dans une direction sécuritaire, presser la gâchette du pistolet de pulvérisation pour relâcher la haute pression chaque fois que vous arrêtez le moteur. Engager le verrou de la gâchette lorsqu'il n'est pas utilisé.

## FONCTIONNEMENT

Si vous avez des problèmes avec le fonctionnement de votre laveuse pression, veuillez contacter le Service à la clientèle de Generac au 1-888-436-3722.

## EMPLACEMENT DE LA LAVEUSE À PRESSION

### Dégagement et circulation d'air

#### **⚠ DANGER**



**DANGER : Le monoxyde de carbone produit lors de l'utilisation PEUT TUER en quelques minutes. NE JAMAIS utiliser à l'intérieur ou dans d'autres zones abritées MÊME SI les portes et les fenêtres sont ouvertes. Utiliser uniquement à L'EXTÉRIEUR et loin des fenêtres, portes et événements.**

#### REMARQUE :

Pour plus d'information, consulter les avertissement sur le monoxyde de carbone à la section Règles de sécurité.

Placer la laveuse à pression à l'extérieur dans une zone qui n'accumule pas des gaz d'échappement mortels. NE JAMAIS placer la laveuse à pression là où le gaz d'échappement pourrait s'accumuler et entrer à l'intérieur ou être tiré dans un édifice qui pourrait être occupé. Assurez-vous que le gaz d'échappement est tenu à l'écart de toutes les fenêtres, les portes, les entrées d'air ou d'autres ouvertures qui peuvent permettre aux gaz d'échappement d'être collectés dans un endroit restreint. Les vents dominants et des courants d'air doivent être pris en considération lorsque vous positionnez la laveuse à pression (Figure 19).

- Utiliser la laveuse à pression à l'extérieur SEULEMENT.
- Empêcher les gaz d'échappement d'entrer dans un espace confiné par les fenêtres, les portes, les entrées d'air ou d'autres ouvertures.
- NE JAMAIS démarrer ou faire fonctionner le moteur dans un espace clos ou à l'intérieur, MÊME SI les portes et les fenêtres sont ouvertes.

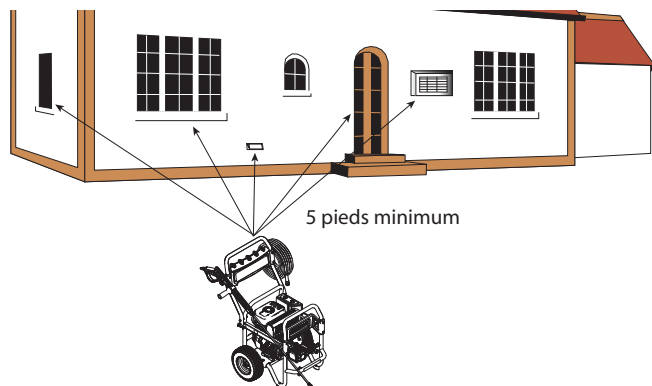
#### **⚠ AVERTISSEMENT**



**La chaleur/les gaz d'échappement peuvent enflammer les combustibles, des structures ou endommager le réservoir de carburant provoquant un incendie.**

- Garder au moins 5 pieds (152 cm) de dégagement sur tous les côtés de la laveuse à pression, y compris la partie supérieure.

Figure 19 - Dégagements de construction



## LISTE DE CONTRÔLE AVANT DE DÉMARRER LE MOTEUR

1. Assurez-vous de lire et de comprendre la section Sécurité de l'utilisateur et la section Fonctionnement avant d'utiliser la laveuse à pression.
2. Vérifier que l'huile est au niveau approprié dans le carter du moteur et que le carburant a été ajouté au réservoir de carburant.
3. Examiner l'assemblage de l'unité et s'assurer que les raccords sont correctement sécurisés. Assurez-vous également qu'il n'y ait pas de déformations, de coupures, ou de dommages au tuyau à haute pression.
4. Fournir un approvisionnement d'eau approprié à un débit approprié, nettoyer les filtres de débris et confirmer que le système est libre d'air.
5. Confirmer que l'unité est solide au niveau du sol et que l'escape de travail environnant est propre.

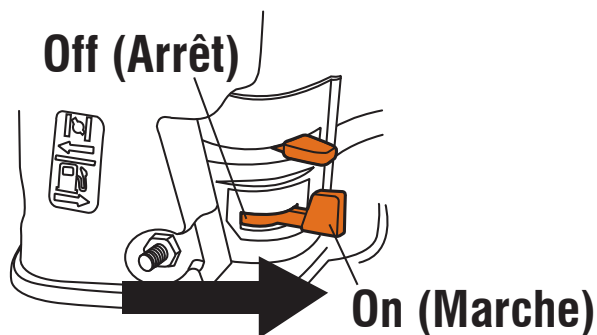
## COMMENT DÉMARRER VOTRE LAVEUSE À PRESSION

#### REMARQUE :

**NE PAS faire fonctionner la pompe si l'alimentation en eau n'est pas raccordée et ouverte. La garantie sera annulée si l'équipement est endommagé par suite du non-respect de ces instructions.**

1. Placer le levier de robinet à carburant à la position ON (Figure 20).

Figure 20 - Robinet à carburant

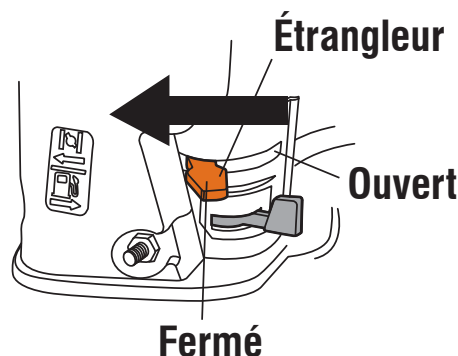


2. Positionner le levier d'étrangleur à la position « CLOSE » (Figure 21).

#### REMARQUE :

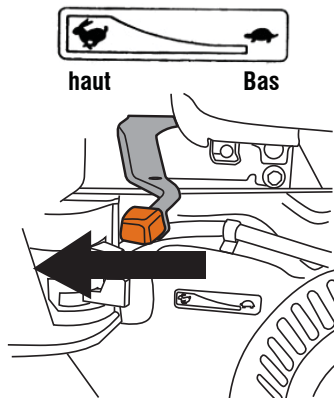
**Pour un moteur chaud, vérifiez que le levier d'étrangleur est à la position « OPEN ».**

Figure 21 - Levier d'étrangleur



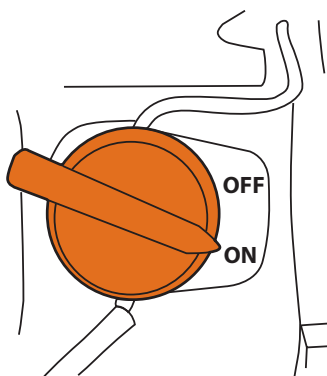
3. Déplacer le levier de commande du régulateur à la position « High », figurant sur le moteur comme un lapin (Figure 22).

Figure 22 - Commande du régulateur



4. Placer l'interrupteur du moteur à la position « ON » (o) (Figure 23).

Figure 23 - La position ON



**IMPORTANT :** Avant de démarrer la laveuse à pression, veiller à porter des lunettes de sécurité adaptées.

### ⚠ AVERTISSEMENT

**Risque de blessure aux yeux. Le jet peut éclabousser ou propulser des objets.**

- Toujours porter des lunettes de sécurité lors de l'utilisation de ce matériel ou dans la zone où ce matériel est utilisé.
  - Avant de démarrer la laveuse à pression, veiller à porter des lunettes de sécurité adaptées.
  - NE JAMAIS substituer les verres de sécurité par des lunettes de sécurité.
5. Placer le pied sur le repose-pieds ou autrement assurer l'unité du mouvement lorsque vous reculez.
  6. Lorsque vous démarrez le moteur, saisissez la poignée du démarreur (Figure 24) et tirez doucement jusqu'à ce que vous sentiez une résistance. Ensuite tirez rapidement pour mettre en marche le moteur.

### ⚠ AVERTISSEMENT

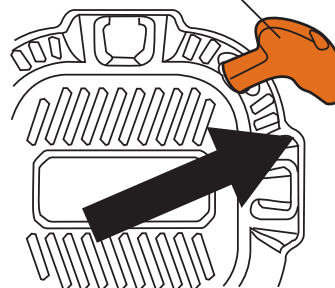


L'effet de rebond de la corde du démarreur (réaction rapide) peut entraîner des blessures corporelles. Le rebond va tirer la main et le bras vers le moteur plus rapidement que ce que vous pourriez laisser aller. Vous pouvez souffrir des fractures, des bleus ou des entorses.

- NE JAMAIS tirer sur le cordon de démarrage sans relever premièrement la pression du pistolet de pulvérisation.
  - Lorsque vous démarrez le moteur, tirer sur le cordon jusqu'à ce que vous sentiez une résistance et ensuite tirer rapidement pour éviter l'effet de rebond.
  - Après chaque tentative de démarrage, lorsque le moteur ne fonctionne pas, toujours diriger le pistolet de pulvérisation dans une direction sécuritaire et presser la gâchette du pistolet de pulvérisation pour relâcher la haute pression.
  - Tenir fermement le pistolet de pulvérisation à deux mains lors de l'utilisation du jet à haute pression pour éviter des blessures quand le pistolet de pulvérisation fait un effet de rebond.
7. Retourner la poignée du démarreur lentement. NE PAS laisser la corde faire un « effet rebond » contre le démarreur.

Figure 24 - Mettre le moteur en marche

### Poignée du démarreur



8. Lorsque le moteur démarre, déplacer lentement le levier d'étrangleur à la position « OPEN » pendant le chauffage du moteur. Si le moteur hésite, déplacer le levier d'étrangleur à la position « CLOSE », puis « OPEN » (Figure 25).

Figure 25 - Levier d'étrangleur



9. Après chaque tentative de démarrage, lorsque le moteur ne démarre pas, toujours pointer le pistolet dans une direction sans danger et appuyer sur la détente pour libérer la haute pression d'eau.
10. Si le moteur ne démarre pas au bout de six tentatives, déplacer le levier à la position « OPEN », et répéter les étapes 6 à 10.

**⚠ DANGER**

**Le jet d'eau à haute pression produit par cet appareil peut percer la peau et ses tissus sous-jacents, pouvant mener à des blessures sérieuses, une possible amputation ou la mort. Le pistolet de pulvérisation conserve l'eau à haute pression, même lorsque le moteur est arrêté et l'arrivée d'eau débranchée, et peut donc provoquer des blessures.**

- NE PAS laisser les ENFANTS utiliser la laveuse à pression ou jouer à proximité.
- Toujours garder le tuyau à haute pression raccordé à la pompe et au pistolet de pulvérisation lorsque le système est sous pression.
- NE JAMAIS diriger le pistolet de pulvérisation vers les personnes, les animaux ou les dispositifs électriques. Des blessures sérieuses surviendront.
- NE PAS sécuriser le pistolet de pulvérisation à la position ouverte.
- NE PAS laisser le pistolet de pulvérisation sans surveillance lorsque l'appareil est en fonctionnement.
- NE JAMAIS utiliser un pistolet de pulvérisation qui n'a pas de verrouillage de gâchette ou une protection de gâchette en place et en état de fonctionnement.
- Toujours s'assurer que le pistolet de pulvérisation, les buses et les accessoires sont bien fixés.

**⚠ AVERTISSEMENT**

**Le contact avec la zone du pot d'échappement peut provoquer des blessures sérieuses. La chaleur/les gaz d'échappement peuvent enflammer les combustibles, des structures ou endommager le réservoir de carburant provoquant un incendie.**

- NE PAS toucher les pièces chaudes et ÉVITER les gaz d'échappement chauds.
- Laisser refroidir l'appareil avant de toucher.
- Garder au moins cinq (5) pieds (152 cm) de dégagement sur tous les côtés de la laveuse à pression, y compris la partie supérieure.
- L'utilisation ou le fonctionnement du moteur sur tout terrain couvert de forêt, broussailles ou herbes, est une violation du Code de ressources publiques de l'État de la Californie, Section 4442, à moins que le système d'échappement est équipé d'un pare-étincelles, tel que défini dans la Section 4442, maintenu en bon état de fonctionnement. D'autres États ou juridictions fédérales peuvent avoir des lois similaires.
- Les pièces de rechange doivent être les mêmes et installée dans la même position que les pièces originelles.

## SYSTÈME DE REFROIDISSEMENT AUTOMATIQUE (SUPPRESSION THERMIQUE)

Si vous faites fonctionner le moteur de votre laveuse à pression pendant 3-5 minutes sans appuyer sur la gâchette du pistolet de pulvérisation, circulation d'eau dans la pompe peut atteindre des températures supérieures à 125°F. Le système se met en marche pour refroidir la pompe en évacuant l'eau chaude sur le sol.

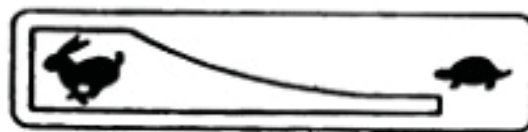
## RÉGLAGE DE PRESSION AJUSTABLE

Votre laveuse à pression est équipée d'une caractéristique vous permettant d'ajuster le réglage de pression. La pompe est pré-réglée à l'usine pour obtenir la pression la plus haute possible. Pour diminuer la pression, tourner le bouton de contrôle de la pression dans le sens contraire des aiguilles d'une montre jusqu'à la pression désirée. Tourner le bouton de contrôle de pression jusqu'à ce qu'il s'arrête mettra la pression sur le réglage d'usine.

## COMMENT ARRÊTER VOTRE LAVEUSE À PRESSION

1. Relâcher la gâchette du pistolet de pulvérisation.
2. Placer le levier de commande du régulateur à la position « LOW » (tortue) (Figure 26).

Figure 26 - Position du régulateur



Élevé

Bas

3. Placer l'interrupteur ON/OFF (Marche/Arrêt) du moteur à la position « Arrêt ».
4. TOUJOURS diriger le pistolet de pulvérisation dans une direction sécuritaire et appuyer sur la gâchette du pistolet de pulvérisation pour relâcher la haute pression de l'eau retenue. Engager le verrou de la gâchette lorsqu'il n'est pas utilisé.
5. FERMER l'alimentation d'eau.

**IMPORTANT :** Le pistolet de pulvérisation retiennent la haute pression de l'eau, même lorsque le moteur est arrêté et l'eau est débranchée, ce qui peut causer des blessures.

**⚠ DANGER**

**Le jet d'eau à haute pression produit par cet appareil peut percer la peau et ses tissus sous-jacents, pouvant mener à des blessures sérieuses, une possible amputation ou la mort. Le pistolet de pulvérisation conserve l'eau à haute pression, même lorsque le moteur est arrêté et l'arrivée d'eau débranchée, et peut donc provoquer des blessures.**

- Toujours garder le tuyau à haute pression raccordé à la pompe et au pistolet de pulvérisation lorsque le système est sous pression.
- TOUJOURS diriger le pistolet de pulvérisation dans une direction sécuritaire, presser la gâchette du pistolet de pulvérisation pour relâcher la haute pression chaque fois que vous arrêtez le moteur. Engager le verrou de la gâchette lorsqu'il n'est pas utilisé.

## RECOMMANDATIONS D'ENTRETIEN

Un entretien régulier améliorera les performances et prolongera la vie de la laveuse à pression. Voir un dépositaire qualifié pour tout service.

La garantie de la laveuse à pression ne couvre pas les articles qui ont été sujets à une mauvaise utilisation ou une négligence. Pour recevoir la contrepartie totale de la garantie, l'utilisateur doit entretenir l'outil comme démontré dans ce manuel, y compris un entreposage approprié tel que décrit à la section Entreposage d'hiver et Entreposage à long terme.

**REMARQUE :**

**Si vous avez des question à propos le remplacement des composants de votre laveuse à pression, veuillez appeler au 1-888-436-3722 pour avoir de l'assistance.**

Certains réglages devront être faits périodiquement pour entretenir correctement votre laveuse à pression.

Tous les services et les réglages devraient être effectués au moins une fois par saison. Suivre les exigences dans le tableau Programme d'entretien.

# Entretien

## REMARQUE :

Une fois par an, vous devez nettoyer ou remplacer la bougie, nettoyer ou remplacer le filtre à air, et vérifier le pistolet de pulvérisation et l'assemblage de la rallonge de buse pour l'usure. Une nouvelle bougie et filtre à air propre assurent un bon mélange d'air-carburant et aident au moteur à mieux fonctionner et à durer plus longtemps.

## PROGRAMME D'ENTRETIEN

Respecter les intervalles ou horaires du calendrier, selon la première occurrence. Un entretien plus fréquent est nécessaire lorsque l'appareil fonctionne dans des conditions défavorables.

<b>Premières 5 heures</b>
Changez l'huile à moteur
<b>Chaque 8 heures ou à tous les jours</b>
Vérifier/nettoyer le filtre d'entrée de l'eau*
Vérifier le tuyau à haute pression
Vérifier le filtre/tuyau à siphon de détergent
Vérifier le pistolet de pulvérisation et l'assemblage pour des fuites
Nettoyez le débris
Vérifier le niveau d'huile du moteur
Vérifier le niveau d'huile de la pompe
<b>Chaque 50 heures ou chaque saison</b>
Vérifier/nettoyer le filtre à air de la laveuse**
Changez l'huile à pompe**
Changez l'huile à moteur**
Vérifier le pot d'échappement et le pare-étincelles
<b>Chaque 100 heures ou chaque saison</b>
Service pour la bougie d'allumage
* Nettoyer s'il y a une obstruction. Remplacer s'il y a une perforation ou est déchiré.
** Service plus souvent dans un milieu sale ou poussiéreux.

## CONTRÔLE DES ÉMISSIONS

L'entretien, le remplacement ou la réparation des dispositifs et systèmes antipollution peuvent être exécutés par toute entreprise de réparation de moteurs non routiers ou tout individu. Toutefois, pour obtenir le service de contrôle des émissions « gratuitement », le travail doit être effectué par un dépositaire autorisé. Voir la garantie d'émissions.

## ENTRETIEN DE LA LAVEUSE À PRESSION

### Nettoyer le débris

Par jour ou avant l'utilisation, nettoyer le débris accumulé du système de nettoyage. Garder la tringlerie, les freins et les contrôles propres. Garder la zone autour et derrière le pot d'échappement libre de tout débris combustibles. Vérifier les fentes et les ouvertures d'air de refroidissement sur la laveuse à pression. Ces ouvertures doivent être maintenues propres et sans obstructions.

Les pièces de la laveuse à pression doivent être gardées propres pour réduire les risques de surchauffe et d'inflammation du débris accumulé.

- Employez un tissu humide pour essuyer les surfaces extérieures.

## REMARQUE :

Un traitement inadéquat de la laveuse à pression peut l'endommager et réduire sa durée de vie utile.

- NE PAS insérer aucun objet à travers les fentes de refroidissement.
- Utiliser une brosse à soies, doux pour enlever l'accumulation de saleté, de l'huile, etc.
- Utiliser un aspirateur pour ramasser la saleté superficielle et les débris.

## VÉRIFIER ET NETTOYER LE TAMIS DE FILTRAGE D'ENTRÉE

Contrôler le filtre à l'entrée d'eau de la pompe. Nettoyer le tamis s'il est colmaté ou remplacer le tamis s'il est endommagé.

## VÉRIFIER LES TUYAUX À HAUTE PRESSION

Le tuyau à haute pression peut fuir en raison de l'usure, de pincements ou d'une mauvaise utilisation. Vérifier le bon état des tuyaux avant chaque utilisation. Vérifier l'absence de coupures, de fuites, d'usure ou de renflement du revêtement, de détérioration et de jeu dans les raccords. Remplacer le tuyau immédiatement au moindre signe de détérioration.

### **▲ DANGER**



**Le jet d'eau à haute pression produit par cet appareil peut percer la peau et ses tissus sous-jacents, pouvant mener à des blessures sérieuses, une possible amputation ou la mort. Le pistolet de pulvérisation conserve l'eau à haute pression, même lorsque le moteur est arrêté et l'arrivée d'eau débranchée, et peut donc provoquer des blessures.**

- NE JAMAIS tenter de réparer le tuyau à haute pression. Le remplacer.
- Le tuyau de remplacement DOIT avoir ou dépasser la pression maximum de l'appareil

## VÉRIFIER LE TUYAU À SIPHON DE DÉTERGENT

Contrôler le filtre du tuyau de détergent et le nettoyer si nécessaire. Le tuyau doit être fixé solidement sur le raccord cranté. Contrôler l'absence de fuites et de déchirures. Le cas échéant, remplacer le filtre ou le tuyau endommagé.

## VÉRIFIER LE PISTOLET DE PULVÉRISATION

Examiner le raccordement du tuyau au pistolet et s'assurer de sa solidité. Contrôler le fonctionnement de la gâchette en la manœuvrant et en s'assurant qu'elle revient en position de repos. Remplacer le pistolet de pulvérisation immédiatement s'il ne fait pas « l'effet rebond ».

## ENTRETIEN DE LA BUSE

Une sensation d'impulsion tout en appuyant sur la gâchette du pistolet de pulvérisation peut être causée par une pression excessive de la pompe. Cet excès de pression dans la pompe est souvent dû à l'engorgement ou au blocage d'une buse par des corps étrangers, tels que de la poussière, etc. Pour remédier le problème, nettoyer immédiatement la buse suivant les instructions ci-dessous :



1. Arrêter le moteur et couper l'alimentation en eau.
2. TOUJOURS diriger le pistolet de pulvérisation dans une direction sécuritaire, appuyer sur la gâchette du pistolet de pulvérisation pour relâcher la haute pression de l'eau retenue.

## ⚠ DANGER

**Le jet d'eau à haute pression produit par cet appareil peut percer la peau et ses tissus sous-jacents, pouvant mener à des blessures sérieuses, une possible amputation ou la mort. Le pistolet de pulvérisation conserve l'eau à haute pression, même lorsque le moteur est arrêté et l'arrivée d'eau débranchée, et peut donc provoquer des blessures.**

- Toujours garder le tuyau à haute pression raccordé à la pompe et au pistolet de pulvérisation lorsque le système est sous pression.
  - TOUJOURS diriger le pistolet de pulvérisation dans une direction sécuritaire, presser la gâchette du pistolet de pulvérisation pour relâcher la haute pression chaque fois que vous arrêtez le moteur. Engager le verrou de la gâchette lorsqu'il n'est pas utilisé.
3. Retirer la buse de l'extrémité de la rallonge de buse.
  4. Utiliser un trombone pour libérer tout matériel étranger obstruant ou limitant la buse (Figure 27).
  5. Enlever la lance du pistolet de pulvérisation.
  6. En utilisant un tuyau d'arrosage, enlever le débris additionnel en rinçant à contre-débit avec de l'eau à travers de la lance (Figure 28) pendant 30 à 60 secondes.
  7. Réinstaller la buse dans la lance.
  8. Rebrancher la lance au pistolet de pulvérisation.
  9. Assurez-vous que le tuyau d'arrosage est branché à l'entrée d'eau de la pompe. Vérifier que le tuyau à haute pression est branché au pistolet de pulvérisation et à la pompe. Ouvrir l'eau.
  10. Démarrer le moteur en suivant les instructions Comment démarrer votre laveuse à pression.
  11. Contrôler la laveuse à pression en utilisant chaque buse à raccord rapide.

Figure 27 - Enlever le matériel étranger

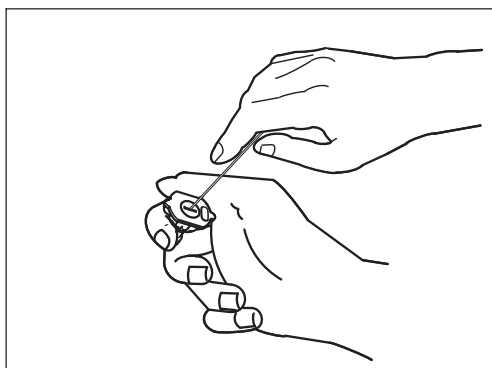
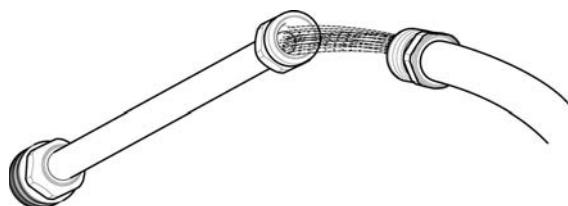


Figure 28 - Lance à contre-débit

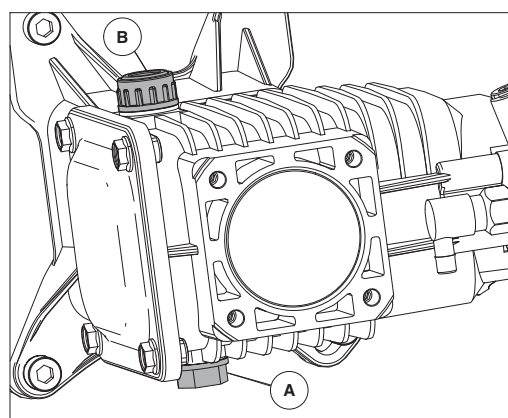


## ENTRETIEN DE L'HUILE À POMPE

Changer l'huile à pompe toutes les cinquante (50) heures de fonctionnement.

1. Nettoyer la zone autour du capuchon de vidange d'huile (A).
2. Retirer le capuchon de vidange d'huile. Égoutter l'huile complètement.
3. Installer le capuchon de vidange d'huile. Ne pas trop serrer.
4. Nettoyer la zone autour de la jauge d'huile (B).
5. Remplir la pompe avec de l'huile non détergente SAE 30 jusqu'à la ligne « Full » sur la jauge.
6. Installer la jauge d'huile et serrer fermement à la main.
7. Nettoyer toute éclaboussure d'huile.

Figure 29 - Vidange de l'huile à pompe



## ENTRETIEN DU MOTEUR

### ⚠ AVERTISSEMENT



**La production involontaire d'étincelles peut provoquer un incendie ou une électrocution.**

### POUR RÉGLER OU RÉPARER VOTRE LAVEUSE À PRESSION :

- Débrancher le fil de bougie d'allumage et l'écarter de sorte qu'il ne puisse toucher la bougie.

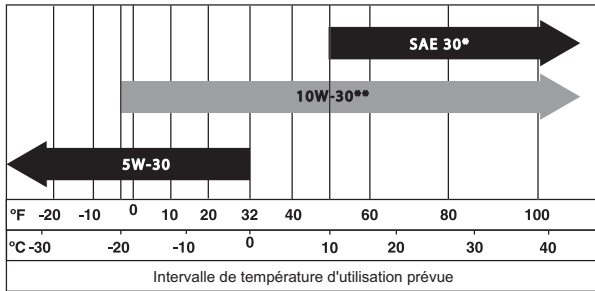
### LORS DES ESSAIS D'ALLUMAGE :

- Utiliser un testeur de bougie d'allumage approuvé.
- NE PAS vérifier l'allumage lorsque la bougie est retirée.

## RECOMMANDATIONS D'HUILE DE MOTEUR

Nous vous recommandons d'utiliser des huiles détergentes de haute qualité acceptable si elles sont classifiées pour le service SF, SG, SH, SJ ou supérieur. NE PAS utiliser aucun additif spécial.

La température extérieure détermine la viscosité de l'huile appropriée pour le moteur. Utiliser le tableau pour sélectionner la meilleure viscosité pour l'intervalle de température attendu.



\* En dessous de 50 °F (10 °C), l'utilisation de SAE 30 entraînera un démarrage difficile.

\*\* En dessus de 80 °F (27 °C) l'utilisation d'une huile 10W30 peut entraîner une augmentation de la consommation d'huile. Vérifier le niveau de l'huile plus fréquemment.

#### REMARQUE :

**L'huile synthétique satisfaisant les spécifications ILSAC GF-2, la marque de certification API et le symbole de service API avec « SJ / CF ENERGY CONSERVATION » ou plus, est une huile acceptable à toutes les températures. L'utilisation d'huiles synthétiques ne modifie pas les intervalles de changement d'huile.**

#### REMARQUE :

**Le moteur est équipé d'un « Système d'alerte d'huile ». Le système va automatiquement arrêter le moteur avant que le niveau d'huile descende en dessous d'une limite sécuritaire. Pour éviter l'inconvénient d'un arrêt imprévu, toujours vérifier le niveau d'huile du moteur avant le démarrage.**

## VÉRIFIER LE NIVEAU D'HUILE

Le niveau d'huile doit être vérifié avant chaque utilisation ou au moins toutes les 8 heures de fonctionnement. Garder le niveau d'huile maintenu.

1. S'assurer que la laveuse à pression est sur une surface équilibrée.
2. Nettoyer le secteur situé autour du capuchon du réservoir d'huile (Figure 31).
3. Enlever le capuchon du réservoir d'huile et essuyer la jauge.
4. Insérer la jauge dans le col de remplissage mais ne pas la visser.
5. Vérifier que l'huile est au niveau approprié dans la jauge.
6. Remplacer et serrer le capuchon du réservoir d'huile fermement à la main.

## AJOUTER L'HUILE À MOTEUR

1. S'assurer que la laveuse à pression est sur une surface équilibrée.
2. Vérifier le niveau d'huile comme décrit à la section Vérifier le niveau d'huile.
3. Si nécessaire, verser lentement l'huile dans l'orifice du réservoir d'huile jusqu'à ce que le niveau approprié dans la jauge est atteint (Figure 31).
4. Vérifier le niveau d'huile selon la section Vérifier le niveau d'huile.
5. Remplacer et serrer le capuchon du réservoir d'huile fermement à la main.

## CHANGER L'HUILE À MOTEUR

Si vous utilisez votre laveuse à pression dans des conditions extrêmement sales ou poussiéreuses, ou dans des conditions climatiques extrêmement chaudes, changez l'huile plus souvent.

### ⚠ ATTENTION

**⚠ Évitez des contacts de peau prolongés ou répétées avec de l'huile de moteur usagée.**

- Il a été démontré que l'huile à moteur peut causer du cancer de la peau chez certains animaux de laboratoire.
- Lavez complètement les endroits exposés avec du savon et de l'eau.

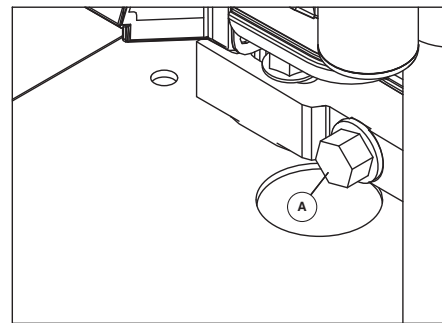
**⚠ GARDEZ HORS DE PORTÉE DES ENFANTS.**

- Ne polluez pas. Conservez les ressources. Déposer l'huile usagée dans un centre de collecte.

Changer l'huile lorsque le moteur est encore chaud du fonctionnement, de la manière suivante :

1. S'assurer que l'unité est sur une surface équilibrée.
2. Débrancher le fil de bougie d'allumage et l'écartier de sorte qu'il ne puisse toucher la bougie.
3. Nettoyer le secteur situé autour du capuchon de vidange de l'huile (A) (Figure 30). Le capuchon de vidange de l'huile est situé à la base du moteur, en face du carburateur.

**Figure 30 – Capuchon de vidange de l'huile**



4. Enlever le capuchon du réservoir d'huile (Figure 31).
5. Retirer le capuchon de vidange de l'huile et vider toute l'huile dans un récipient approprié.
6. Réinstaller le capuchon de vidange de l'huile et serrer soigneusement.

**Figure 31 - Remplir l'huile à moteur**



7. Verser lentement l'huile (environ 20 onces) dans l'orifice du réservoir d'huile jusqu'au niveau approprié dans la jauge. NE PAS trop remplir.
8. Réinstaller le capuchon du réservoir d'huile. Serrer le capuchon solidement à la main.
9. Nettoyer toute éclaboussure d'huile.
10. Jeter l'huile adéquatement selon tous les règlements locaux.

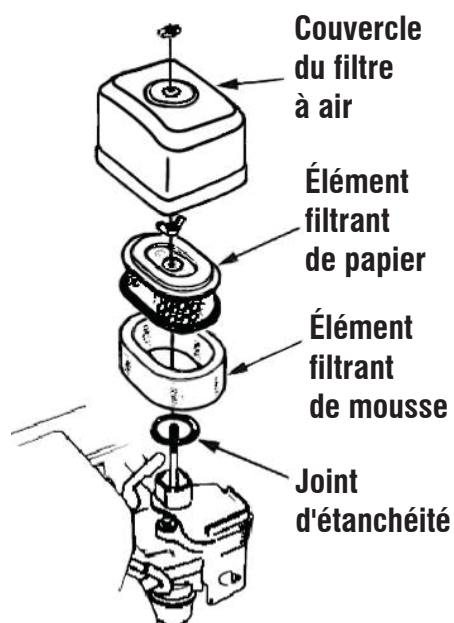
## ENTRETIEN DU FILTRE À AIR

Votre moteur ne fonctionnera pas correctement et peut être endommagé si vous le faites fonctionner avec un filtre à air sale. L'entretenir plus souvent si l'appareil fonctionne en conditions poussiéreuses ou sales.

Pour entretenir le filtre à air, suivez les étapes suivantes :

1. Desserrer la vis et enlever le couvercle (Figure 32).
2. Retirer soigneusement le filtre.
3. Enlever le filtre.
4. Pour nettoyer la cartouche, placez-la soigneusement sur une surface plane.
5. Réinstaller le filtre en mousse.
6. Réinstaller une cartouche propre ou neuve.
7. Installer le couvercle et serrez la vis soigneusement.

Figure 32 - Entretenir le filtre à air

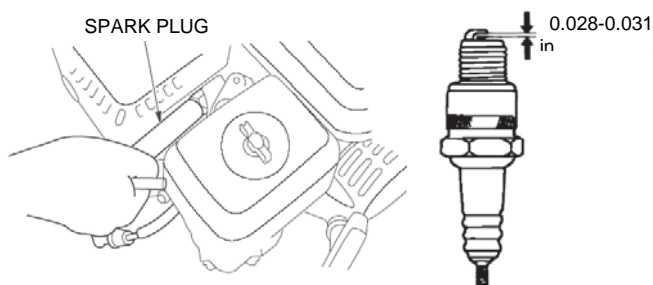


## ENTRETIEN DE LA BOUGIE D'ALLUMAGE

Le changement de la bougie aidera le moteur à démarrer plus facilement et à mieux fonctionner.

1. Nettoyer le secteur situé autour de la bougie d'allumage.
2. Enlever et vérifier la bougie (Figure 33).

Figure 33 - Changer la bougie d'allumage



3. Vérifier l'écartement des électrodes à l'aide d'une jauge d'épaisseur à fils et réinitialiser l'écartement de bougie selon l'écartement recommandé si nécessaire (voir les spécifications).
4. Remplacer la bougie si les électrodes sont piquées, brûlées ou si la porcelaine est fissurée. Utiliser la bougie de rechange recommandée. Voir les spécifications.
5. Installer la bougie et serrer fermement.

## VÉRIFIER LE POT D'ÉCHAPPEMENT ET LE PARE-ÉTINCELLES

Vérifier le pot d'échappement pour toute fissure, corrosion ou d'autres dommages. Retirer le pare-étincelles, le cas échéant, et vérifier pour tout dommage ou obstruction de carbone. Si des pièces de remplacement sont nécessaires, assurez-vous d'utiliser uniquement des pièces de remplacement originales de l'appareil.

### ⚠ AVERTISSEMENT



**Le contact avec la zone du pot d'échappement peut provoquer des blessures sérieuses. La chaleur/les gaz d'échappement peuvent enflammer les combustibles, des structures ou endommager le réservoir de carburant provoquant un incendie.**

- NE PAS toucher les pièces chaudes et ÉVITER les gaz d'échappement chauds.
- Laisser refroidir l'appareil avant de toucher.
- Garder au moins 5 pieds (152 cm) de dégagement sur tous les côtés de la laveuse à pression, y compris la partie supérieure.
- L'utilisation ou le fonctionnement du moteur sur tout terrain couvert de forêt, broussailles ou herbes, est une violation du Code de ressources publiques de l'État de la Californie, Section 4442, à moins que le système d'échappement est équipé d'un pare-étincelles, tel que défini dans la Section 4442, maintenu en bon état de fonctionnement. D'autres États ou juridictions fédérales peuvent avoir des lois similaires. Contacter le fabricant de l'appareil d'origine, le distributeur ou le dépositaire afin d'obtenir un pare-étincelles conçu pour le système d'échappement installé sur ce moteur.
- Les pièces de rechange doivent être les mêmes et installées dans la même position que les pièces d'origines.

## APRÈS CHAQUE UTILISATION

Il n'est pas conseillé de laisser de l'eau dans l'appareil pendant de longues périodes. Des sédiments ou des minéraux peuvent se déposer sur les pièces de la pompe et la rendre inopérante. Suivez ces procédures après chaque utilisation :

1. Arrêter le moteur, éteindre l'approvisionnement d'eau, diriger le pistolet dans une direction sécuritaire et appuyer sur la gâchette pour relâcher la haute pression et laisser refroidir le moteur.

### ⚠ DANGER



**Le jet d'eau à haute pression produit par cet appareil peut percer la peau et ses tissus sous-jacents, pouvant mener à des blessures sérieuses, une possible amputation ou la mort. Le pistolet de pulvérisation conserve l'eau à haute pression, même lorsque le moteur est arrêté et l'arrivée d'eau débranchée, et peut donc provoquer des blessures.**

- Toujours garder le tuyau à haute pression raccordé à la pompe et au pistolet de pulvérisation lorsque le système est sous pression.

- TOUJOURS diriger le pistolet de pulvérisation dans une direction sécuritaire, presser la gâchette du pistolet de pulvérisation pour relâcher la haute pression chaque fois que vous arrêtez le moteur. Engager le verrou de la gâchette lorsqu'il n'est pas utilisé.
- 2. Débrancher les tuyaux du pistolet de pulvérisation et de la sortie de haute pression sur la pompe. Vider l'eau des tuyaux, du pistolet de pulvérisation et de la lance. Utiliser un chiffon pour essuyer le tuyau.
- 3. Vider la pompe de tous les liquides pompés. Vérifier que l'interrupteur ON/OFF du moteur et que le robinet de carburant sont à la position OFF. Ensuite, tirez la poignée environ six fois. Cela devrait éliminer la plupart des liquides dans la pompe.
- 4. Conserver l'unité dans une zone propre et sèche.
- 5. Si elle est entreposée pendant plus de 30 jours, consultez la section Entreposage de longue durée.

### AVERTISSEMENT



**Le carburant et ses vapeurs sont extrêmement inflammables et explosives. Un incendie ou une explosion peut provoquer des brûlures graves ou la mort.**

### ENTREPOSAGE D'ESSENCE OU D'UN ÉQUIPEMENT DONT LE RÉSERVOIR CONTIENT DE L'ESSENCE :

- NE PAS entreposer à proximité de fours, poêles, chauffe-eau, sèche-linge ou d'autres équipements susceptibles de comporter une veilleuse ou une source potentielle d'inflammation des vapeurs d'essence.

### ENTREPOSAGE D'HIVER

#### REMARQUE :

**Vous devez protéger l'appareil contre les températures de congélation.**

- Le fait de ne pas effectuer ceci peut provoquer des dommages permanentes à la pompe et rendre votre appareil inutilisable.
- Les dommages provoqués par congélation ne sont pas couverts par la garantie.

Pour protéger l'appareil contre les températures de congélation :

1. Suivre les étapes 1-3 dans la section précédente après chaque utilisation.
2. Utiliser un protecteur de pompe pour traiter la pompe. Cela minimise les dommages pour congélation et lubrifie les pistons et les joints.
3. Si un protecteur de pompe n'est pas disponible, brancher une section de 3 pieds du tuyau d'arrosage à l'adaptateur d'entrée d'eau. Verser l'antigel pour véhicules récréatifs (antigel sans alcool) dans le tuyau. Tirez la poignée de rappel deux fois. Débrancher le tuyau de 3 pieds.
4. Conserver l'unité dans une zone propre et sèche.

### ENTREPOSAGE À LONG TERME

Si vous ne prévoyez pas utiliser la laveuse à pression pour plus de 30 jours, vous devez préparer le moteur et la pompe pour l'entreposage à long terme.

### PROTÉGER LE SYSTÈME D'ALIMENTATION EN CARBURANT

Le carburant peut être vicié après un entreposage de plus de 30 jours. L'essence vicié provoque des dépôts d'acide et de gomme dans le système de carburant ou sur les pièces essentielles du carburateur. Pour garder le carburant frais, utiliser un stabilisateur de carburant, disponible sous forme d'additif liquide ou une cartouche de gouttes concentrées.

Il n'est pas nécessaire de vider le carburant du moteur si un stabilisateur de carburant est ajouté conformément aux instructions. Faire fonctionner le moteur pendant 2 minutes pour faire circuler le stabilisateur dans le système de carburant. Le moteur et le carburant peuvent ainsi être conservés jusqu'à 24 mois (selon les caractéristiques du fabricant du stabilisateur de carburant).

Si l'essence dans le moteur n'a pas été traitée avec un stabilisateur de carburant, elle doit être versée dans un contenant approuvé. Faire fonctionner le moteur jusqu'à ce qu'il s'arrête à cause de la manque de carburant. L'utilisation d'un stabilisateur de carburant dans le récipient de rangement est recommandé pour conserver la fraîcheur.

### CHANGER D'HUILE

Tandis que le moteur est encore chaud, évacuez l'huile du carter du moteur. Recharger avec le degré recommandé. Voir la section Changer l'huile du moteur dans l'Entretien du moteur.

### PROTÉGER LA POMPE

Pour protéger la pompe contre les dommages causés par des dépôts minéraux ou la congélation, utiliser PumpSaver, modèle 61350 pour traiter de la pompe. Cela prévient les dommages pour congélation et lubrifie les pistons et les joints.

#### REMARQUE :

**Le PumpSaver est disponible comme un accessoire optionnel. Il n'est pas inclus avec une laveuse à pression. Contacter le centre de service autorisé le plus près pour acheter le PumpSaver.**

#### REMARQUE :

**VOUS DEVEZ PROTÉGER VOTRE APPAREIL CONTRE LE GEL.**

- Le fait de ne pas effectuer ceci peut provoquer des dommages permanentes à la pompe et rendre votre appareil inutilisable.
- Les dommages provoqués par congélation ne sont pas couverts par la garantie.

Pour utiliser un PumpSaver, assurez-vous que la laveuse à pression est éteinte et déconnectée de l'approvisionnement d'eau. Lire et suivre toutes les instructions et avertissements donnés sur la boîte du PumpSaver.

### AUTRES INSTRUCTIONS D'ENTREPOSAGE

1. NE PAS entreposer le carburant d'une saison à l'autre à moins qu'il n'ait été traité comme décrit à la section Protection du système de carburant.
2. Remplacer le réservoir de carburant s'il commence à rouiller. La rouille et / ou la saleté dans le carburant peut causer des problèmes s'il est utilisé avec cet appareil.
3. Couvrir l'appareil avec une couverture de protection adéquate qui ne retient pas l'humidité.

### AVERTISSEMENT



**Les couvertures de rangement peuvent être inflammables.**

- NE PAS placer une couverture de rangement sur une laveuse à pression chaude.
  - Laisser refroidir l'appareil pendant un temps suffisant avant de placer la couverture sur l'appareil.
4. Conserver l'unité dans une zone propre et sèche.

## GUIDE DE DÉPANNAGE

PROBLÈME	CAUSE	CORRECTION
<b>La pompe rencontre les problèmes suivants: impossible de monter en pression, pression intermittente, à coups de pression, faible débit d'eau.</b>	<ol style="list-style-type: none"> <li>1. Buse à basse pression installée.</li> <li>2. Entrée d'eau obstruée.</li> <li>3. Alimentation en eau inadéquate.</li> <li>4. Pincement ou fuite sur le tuyau d'entrée.</li> <li>5. Filtre d'entrée du tuyau obstrué.</li> <li>6. Température d'eau supérieure à 35°C.</li> <li>7. Colmatage ou fuite du tuyau à haute pression.</li> <li>8. Fuite du pistolet de pulvérisation.</li> <li>9. La buse est obstruée.</li> <li>10. Pompe défectueuse.</li> </ol>	<ol style="list-style-type: none"> <li>1. Remplacer par une buse à pression élevée</li> <li>2. Nettoyer l'entrée.</li> <li>3. Fournir un débit d'eau adéquat.</li> <li>4. Éliminer le pincement, réparer la fuite.</li> <li>5. Vérifier et nettoyer le filtre d'entrée du tuyau.</li> <li>6. Fournir une alimentation d'eau plus froide.</li> <li>7. Supprimer les obstruction dans le tuyau de sortie ou remplacer le tuyau.</li> <li>8. Remplacer le pistolet de pulvérisation.</li> <li>9. Nettoyer la buse.</li> <li>10. Contacter un centre de service local.</li> </ol>
<b>Le détergent ne se mélange pas avec le jet d'eau.</b>	<ol style="list-style-type: none"> <li>1. Tuyau à siphon non immergé dans le détergent.</li> <li>2. Le filtre/ tuyau à siphon de détergent est obstrué ou brisé.</li> <li>3. Buse à pression élevée installée.</li> </ol>	<ol style="list-style-type: none"> <li>1. Faire plonger le tuyau à siphon dans le détergeant.</li> <li>2. Nettoyer ou remplacer le filtre ou le tuyau à siphon de détergent.</li> <li>3. Remplacer par une buse à basse pression.</li> </ol>
<b>Le moteur tourne bien à vide mais a des ratés en charge.</b>	<ol style="list-style-type: none"> <li>1. Vitesse du moteur trop faible.</li> </ol>	<ol style="list-style-type: none"> <li>1. Déplacer la commande de régulateur en position FAST (rapide). Si le moteur continue a fonctionner « incorrectement », contacter le centre de service local.</li> </ol>
<b>Le moteur ne démarre pas; ou démarre mais fonctionne irrégulièrement.</b>	<ol style="list-style-type: none"> <li>1. Niveau bas d'huile, « Système d'alerte d'huile ».</li> <li>2. Filtre à air sale.</li> <li>3. Plus de carburant.</li> <li>4. Carburant vicié.</li> <li>5. Le fil de la bougie n'est pas branché à la bougie d'allumage.</li> <li>6. Bougie d'allumage défectueuse.</li> <li>7. Eau dans le carburant.</li> <li>8. Mélange de carburant trop riche.</li> </ol>	<ol style="list-style-type: none"> <li>1. Remplir le carter du moteur au niveau approprié.</li> <li>2. Nettoyer ou remplacer le filtre à air.</li> <li>3. Remplir le réservoir de carburant.</li> <li>4. Vider le réservoir de carburant ; remplir avec du carburant neuf.</li> <li>5. Brancher le fil à la bougie d'allumage.</li> <li>6. Remplacez la bougie d'allumage.</li> <li>7. Vider le réservoir de carburant ; remplir avec du carburant neuf.</li> <li>8. Contacter un centre de service local.</li> </ol>
<b>Le moteur s'arrête inopinément.</b>	<ol style="list-style-type: none"> <li>1. Plus de carburant.</li> </ol>	<ol style="list-style-type: none"> <li>1. Remplir le réservoir de carburant.</li> </ol>
<b>Manque de puissance.</b>	<ol style="list-style-type: none"> <li>1. Filtre à air sale.</li> </ol>	<ol style="list-style-type: none"> <li>1. Remplacez le filtre à air.</li> </ol>

## ÉNONCÉ DE LA GARANTIE EPA AMÉRICAINE DU CONTRÔLE DES ÉMISSIONS VOS DROITS ET OBLIGATIONS DE GARANTIE

L'Agence pour la Protection de l'Environnement américaine (ci-après dénommée EPA) et la société Generac Power Systems, Inc. (ci-après dénommée Generac) sont heureux de vous expliquer ce qu'est la garantie de votre nouvel équipement 2011 et ultérieur. Le nouvel équipement utilise des petits moteurs à allumage commandé doivent être conçus, construits et équipés dans le respect des normes nationales rigoureuses en matière de pollution pour le gouvernement fédéral. Generac garantira le système de contrôle des émissions de votre appareil pour les périodes indiquées ci-après, en l'absence d'acte abusif, de négligence, de modification non approuvée ou de maintenance inadaptée de votre équipement. Le système de contrôle des émissions sur cet appareil comprend tous les composants dont la défaillance pourrait augmenter les émissions des polluants réglementés. Ces composants sont listés dans la section Informations sur les émissions de ce manuel.

### COUVERTURE DE GARANTIE DU FABRICANT :

Cette garantie appareils SCE est valide pour deux ans, ou pour la même période comme indiqué dans la garantie limitée de Generac, selon la plus longue. Pour les appareils avec un compteur horaire, la période de la garantie est un nombre d'heures égal à la moitié de la durée de vie utile certifiée de l'appareil, ou la période de garantie spécifiée ci-dessus en années, selon la possibilité inférieure. La durée de vie utile peut être trouvée sur l'étiquette de contrôle des émissions sur le moteur. Si un composant ou système de votre équipement relatif aux émissions comporte une pièce défectueuse ou présente un défaut de fabrication pendant la durée de la garantie, les réparations ou remplacements de pièces seront effectués par un dépositaire d'entretien de garantie agréé par Generac.

### RESPONSABILITÉS DE GARANTIE DU PROPRIÉTAIRE :

En tant que propriétaire de l'appareil, vous êtes responsable de la réalisation de toute la maintenance nécessaire telle que listée dans le manuel d'entretien qui vous a été remis par l'usine. Aux fins de la garantie, Generac vous recommande de conserver tous les reçus relatifs à la maintenance effectuée sur votre génératrice, mais Generac ne peut pas refuser la garantie uniquement en raison de la non-présentation des reçus.

Vous devez cependant savoir que Generac pourra refuser tout et / ou partie de la couverture de la garantie ou de la responsabilité si votre appareil et / ou toute pièce de celle-ci ne fonctionne plus du fait d'un usage abusif, d'une négligence, d'une mauvaise maintenance ou de modifications non approuvées.

**Vous êtes chargé de contacter un dépositaire de garantie agréé par Generac dès qu'un problème se présente. Les réparations effectuées dans le cadre de la garantie devront être faites dans une période raisonnable, inférieure à 30 jours.**

Le service de garantie peut être organisé en contactant votre dépositaire ou un dépositaire de service de garantie agréé par Generac. Pour connaître le dépositaire de service de garantie agréé par Generac situé le plus près, appeler notre numéro ci-dessous, ou envoyer un courrier à [emissions@generac.com](mailto:emissions@generac.com).

**1-800-333-1322**

**REMARQUE IMPORTANTE :** Cet énoncé de garantie explique vos droits et obligations dans le cadre de la garantie du Système de Contrôle des Émissions qui vous est fournie par Generac conformément au droit de l'État fédéral. Consulter également les « Garanties limitées de Generac pour Generac Power Systems, Inc. » jointes au présent document sur un feuillet séparé, qui vous est également remis par Generac. Veuillez noter que la présente garantie ne s'applique pas aux dommages accessoires, importants ou indirects causés par des défaillances matérielles ou de fabrication, ou par tout retard de réparation ou de remplacement de la ou des pièce(s) défectueuses. La présente garantie remplace toutes les autres garanties, implicites ou explicites. En particulier, Generac n'émet aucune garantie de conformité ou d'usage pour un objectif particulier. Certains États et provinces ne permettent pas la limitation de la durée des garanties implicites. Toutes les garanties implicites qui sont autorisées par loi, seront limitées dans la durée selon les termes de la présente garantie. La limitation mentionnée ci-dessus pourrait donc ne pas s'appliquer à votre cas.

La garantie du SCE ne s'applique qu'au système de contrôle des émissions de votre nouvel équipement. Les garanties du SCE et de Generac décrivent les droits et obligations importantes relatives à votre nouvel équipement.

Le service de garantie ne peut être réalisé que par une entreprise de service agréée par Generac. En cas de demande du service de garantie, des preuves mentionnant la date de vente à l'acquéreur / au propriétaire d'origine doivent être présentées.

Pour toute question concernant vos droits et responsabilités de garantie, merci de contacter Generac à l'adresse suivante :

**ATTENTION WARRANTY DEPARTMENT  
GENERAC POWER SYSTEMS, INC.  
P.O. BOX (boîte postale) 297 • WHITEWATER, WI 53190**

## GARANTIE DU SYSTÈME DE CONTRÔLE DES ÉMISSIONS

Garantie du Système de Contrôle des Émissions (garantie du SCE) pour l'équipement utilisant de petits moteurs à allumage commandé :

- (a) Applicabilité : la présente garantie s'applique à l'équipement qui utilise de petits moteurs hors route. La période de la garantie du SCE commencera à la date d'achat / de livraison du nouvel équipement à son acquéreur / propriétaire d'origine, final, et durera pour moins de :
- (1) La période de temps spécifiée dans la présente Garantie limitée de Generac, mais pas moins de 24 mois, ou
  - (2) Pour les moteurs équipés d'un compteur horaire, un certain nombre d'heures de fonctionnement égale à la moitié de la durée de vie utile du moteur. La durée de vie utile peut est indiquée sur l'étiquette de contrôle des émissions sur le moteur.
- (b) Couverture générale de garantie d'émissions : Generac garantit à l'acquéreur / au propriétaire d'origine, final, du nouveau moteur ou équipement et à chacun des acquéreurs / propriétaires suivant que lorsqu'il est installé le SCE :
- (1) Est conçu, construit et équipé dans le respect de toutes les réglementations applicables ; et
  - (2) Ne comporte aucune pièce défectueuse ni ne présente aucun défaut de fabrication à tout moment de la période de garantie du SCE.
- (c) La garantie sur les pièces relatives aux émissions sera interprétée de la façon suivante :
- (1) Toute pièce garantie, dont le remplacement n'est pas prévu au cours des maintenances obligatoires mentionnées dans le Manuel d'entretien sera garantie pour toute la durée de la Garantie du SCE. Si l'une de ces pièces devient défectueuse pendant la durée de la Garantie du SCE, elle sera réparée ou remplacée par Generac conformément au paragraphe (4) qui suit. Ces pièces réparées ou remplacées dans le cadre de la Garantie du SCE seront garanties pour le reste de la durée de la Garantie du SCE.
  - (2) Toute pièce garantie dont il est prévu une inspection régulière dans le Manuel d'entretien sera garantie pendant toute la durée de la Garantie du SCE. Toute déclaration au niveau du Manuel d'entretien et relative à l'effet de « réparation ou remplacement si nécessaire » ne réduira pas la durée de la Garantie du SCE. Ces pièces réparées ou remplacées dans le cadre de la Garantie du SCE seront garanties pour le reste de la durée de la Garantie du SCE.
  - (3) Toute pièce garantie, dont le remplacement est pas prévu au cours des maintenances obligatoires mentionnées dans le Manuel d'entretien sera garantie pour la période précédant la date du premier remplacement prévu. Si la pièce devient défectueuse avant le premier remplacement prévu, elle sera réparée ou remplacée par Generac, conformément au paragraphe (4) qui suit. Ces pièces relatives aux émissions réparées ou remplacées dans le cadre de la Garantie du SCE seront garanties pour le reste de la durée précédant la date de leur premier remplacement prévu.
  - (4) La réparation ou le remplacement de toute pièce relative aux émissions et garantie dans le cadre de la Garantie du SCE sera réalisé sans frais pour le propriétaire dans un service de garantie agréé par Generac.
  - (5) Nonobstant les dispositions de la sous-section (4) ci-dessus, les services ou réparations sous garantie doivent être effectués aux centres d'entretien agréés par Generac.
  - (6) Si le moteur est inspecté par un service de garantie agréé par Generac, les frais de diagnostic ne seront pas à la charge de l'acquéreur / du propriétaire si la réparation entre dans le cadre de la garantie.
  - (7) Generac est tenu, pendant la durée de la Garantie du SCE, de conserver un stock de pièces relatives aux émissions et garanties suffisant afin de répondre à la demande desdites pièces.
  - (8) Toute pièce de rechange relative aux émissions agréée et approuvée par Generac pourra être utilisée pour la réalisation de toute maintenance ou réparation effectuée dans le cadre de la garantie du SCE et sera fournie sans frais à la charge de l'acquéreur / du propriétaire. Cette utilisation ne réduira pas les obligations de Generac dans le cadre de la Garantie du SCE.
  - (9) Aucune modification, autres que celles explicitement approuvées par Generac, ne peuvent être apportées à la génératrice. Les modifications non approuvées annulent la Garantie du SCE et constituera un motif suffisant pour rejeter toute demande de bénéfice de la Garantie du SCE.
  - (10) Generac ne sera pas responsable des défaillances des pièces de rechange non autorisées, ou défaillance des pièces autorisées causées par l'utilisation de pièces de rechange non autorisées.

### LES PIÈCES RELATIVES AUX ÉMISSIONS PEUVENT INCLURE CE QUI SUIT (LE CAS ÉCHÉANT) :

- |  |                              |
|--|------------------------------|
| 1) DISPOSITIF MESUREUR DE CARBURANT    | 3) SYSTÈME D'ALLUMAGE        |
| A. CARBURATEUR ET PIÈCES INTERNES      | A. BOUGIES D'ALLUMAGE        |
| B. CAPUCHON/RÉSERVOIR DE CARBURANT     | B. MODULE/BOBINES D'ALLUMAGE |
| C. CANALISATIONS DE CARBURANT          | 4) SYSTÈME D'ADMISSION D'AIR |
| D. CANALISATION DE TUYAUX D'ÉVACUATION | A. SOUPE À IMPULSION D'AIR   |
| E. RÉGULATEUR (CARBURANTS GAZEUX)      | 5) SYSTÈME D'ÉCHAPPEMENT     |
| 2) SYSTÈME D'ADMISSION D'AIR           | A. CATALYSEUR                |
| A. COLLECTEUR D'ADMISSION              | B. COLLECTEUR D'ÉCHAPPEMENT  |
| B. FILTRE À AIR                        |                              |

# Garantie

## **GARANTIE LIMITÉE DE « TROIS ANS » DE GENERAC POWER SYSTEMS POUR LES LAVEUSES À PRESSION DE NIVEAU PROFESSIONNEL**

La société Generac Power Systems, Inc. (ci-après dénommée Generac) garantit que, pendant une période de trois années à compter de la date d'achat d'origine, ses laveuses à pression ne présenteront aucun défaut matériel ni de fabrication pour les éléments et la période mentionnée ci-après. Generac réparera ou remplacera, comme il le jugera nécessaire, toute pièce jugée défectueuse après un examen, une inspection et un test réalisés par Generac ou un dépositaire de service de garantie agréé par Generac. Tout(e) réparation ou remplacement dans le cadre de la présente garantie limitée ne renouvelle pas ou ne prolonge pas la durée de garantie initiale. Tout produit réparé est uniquement garanti pendant la durée restante de garantie initiale. Tout équipement déclaré défectueux par l'acquéreur / le propriétaire doit être retourné et examiné par le dépositaire de service de garantie agréé par Generac le plus proche. Tous les frais d'envoi à payer dans le cadre de la garantie, dont le retour à l'usine, seront supportés et payés à l'avance par l'acquéreur / le propriétaire. Cette garantie ne s'applique qu'aux laveuses à pression Generac et n'est pas transférable par l'acquéreur d'origine. Il est conseillé de conserver les preuves d'achat. Si vous ne fournissez pas de preuve de la date d'achat d'origine, la date d'envoi du produit par son fabricant servira à déterminer la période de garantie.

### **PROGRAMME DE GARANTIE**

Les applications des clients sont garanties pendant trois (3) ans. Les applications commerciales et de location sont garanties pendant 90 jours.

#### **APPLICATION DES CLIENTS**

ANNEE UNE et DEUX – Couverture complète limitée pour la main d'œuvre et la (les) pièce(s) (il est nécessaire de présenter une preuve d'achat et de maintenance) :

- Tous les composants

ANNEE TROIS – Couverture complète limitée pour la (les) pièce(s) (il est nécessaire de présenter une preuve d'achat et de maintenance) :

- Moteur uniquement – Composants principaux, y compris : bloc, tête, démarrage, came, tiges et pistons.

#### **APPLICATIONS COMMERCIALES / DE LOCATION**

90 jours – Couverture complète limitée pour la main d'œuvre et la (les) pièce(s) (il est nécessaire de présenter une preuve d'achat et de maintenance) :

- Tous les composants

**REMARQUE :** Aux fins de la présente garantie, « utilisation du consommateur » désigne une utilisation ménagère personnelle ou récréative de la part de l'acquéreur d'origine. Une fois que la laveuse à pression a été utilisée de manière commerciale ou locative, elle sera considérée par la suite comme une laveuse à utilisation non personnelle dans le cadre de la présente garantie.

### **DIRECTIVES**

- Le client a la responsabilité de lire et suivre tout le mode d'emploi.
- Les produits, qui sont endommagés en raison d'une utilisation inappropriée, ne seront pas couverts par la garantie. Cela inclut les composants de la pompe à eau qui sont démarrés sans le débit et la pression d'eau nécessaires.
- Le client sera responsable pour le transport du produit à un centre de réparation agréé pour tous les Generac réparations sous garantie.
- La vérification de maintenance peut être demandée pour la couverture des réparations dans le cadre de la garantie.
- Le taux de main-d'œuvre sous garantie est basé sur les heures normales de travail. Les autres frais relatifs aux heures supplémentaires, aux vacances ou aux coûts salariaux pour les réparations d'urgence en dehors des heures normales de travail seront à la charge du client.
- Les frais de transport des pièces sous garantie sont remboursés à des tarifs de transport terrestre. Les frais associés aux demandes de transport seront à la charge du client.

### **LA PRÉSENTE GARANTIE NE S'APPLIQUE PAS AUX ÉLÉMENTS SUIVANTS :**

- Les laveuses à pression Generac utilisant des pièces de rechange ne provenant pas de Generac.
- Les coûts de maintenance et des modifications normales.
- Les défaillances causées par tout combustibles contaminés ou inadéquats, les huiles ou l'absence de niveaux d'huile corrects, ou l'eau contaminée.
- Les réparations ou diagnostics réalisés par des dépositaires non agréés par Guardian / Generac et non autorisés par écrit par Generac.
- Les défaillances dues, mais sans s'y limiter, à l'usure normale, un accident, abus, négligence, mauvaise utilisation ou un entretien inadéquat. Comme pour tous les dispositifs mécaniques, les moteurs Generac nécessitent une réparation et un remplacement périodiques de leurs pièces pour fonctionner comme prévu. La présente garantie ne couvre pas les réparations lorsque le problème de la ou les pièce(s) ou du moteur découle d'une utilisation normale.
- Les défaillances causées par un acte de Dieu et / ou d'autres événements de force majeure hors du contrôle du fabricant.
- Les dommages dus à des rongeurs et/ou insectes.
- Les produits modifiés ou altérés d'une façon n'ayant pas été autorisée par écrit par Generac.
- Les dommages accessoires, importants ou indirects causés par des défaillances matérielles ou de fabrication, ou par tout retard de réparation ou de remplacement de la ou des pièce(s) défectueuses.
- Les défaillances dues à une mauvaise application.
- Le gel de l'eau dans la pompe (par temps de gel, il faut correctement vider la pompe à la fin de la saison).
- Les dépenses liées à l'instruction du client ou au dépannage lorsqu'aucun défaut n'est détecté.
- Les équipements loués utilisés pendant la réalisation des réparations dans le cadre de la garantie.
- Les batteries de démarrage, fusibles, filtres, ampoules et fluides du moteur.

LA PRÉSENTE GARANTIE REMPLACE TOUTES LES AUTRES GARANTIES, IMPLICITES OU EXPLICITES, EN PARTICULIER, GENERAC N'ÉMET AUCUNE GARANTIE DE CONFORMITÉ OU D'USAGE POUR UN OBJECTIF PARTICULIER. Toute garantie implicite qui est autorisée par la loi doit être limitée en durée conformément aux conditions de garantie explicite stipulées dans la présente. Certains états ne permettent pas de poser une limite à la durée de la garantie implicite, la limite susmentionnée ne s'applique donc pas à l'acheteur / au propriétaire.

GENERAC NE SERA RESPONSABLE QUE DE LA RÉPARATION OU DU REMPLACEMENT DE LA OU DES PIÈCES TEL QUE SUSMENTIONNÉ. EN AUCUN CAS GENERAC NE POURRA ÊTRE TENU RESPONSABLE DE TOUT DOMMAGE ACCESSOIRE OU IMPORTANT, MÊME SI CE DOMMAGE DÉCOULE DIRECTEMENT D'UNE NÉGLIGENCE DE GENERAC. Certains états ne permettent pas d'exclure ou de poser une limite aux dommages accessoires ou importants, la limite susmentionnée ne s'applique donc pas à l'acheteur / au propriétaire. L'acheteur / le propriétaire accepte de ne faire aucune réclamation à l'encontre de Generac, en se basant sur la négligence. La présente garantie confère à l'acheteur / au propriétaire des droits juridiques spécifiques. L'acheteur / le propriétaire peut également avoir d'autres droits qui varient d'État en État. Toute garantie implicite qui est autorisée par la loi doit être limitée en durée conformément aux conditions de garantie explicite stipulées dans la présente.

**GENERAC POWER SYSTEMS, INC. • P.O. BOX 8 • Waukesha, WI 53187**

**Tél. : (888) GENERAC (436-3722) • Fax : (262) 544-4851**

**Afin de localiser le dépositaire autorisé le plus proche et de télécharger les schémas, les vues éclatées des pièces et les listes des pièces, visitez notre site Internet : [www.generac.com](http://www.generac.com)**