



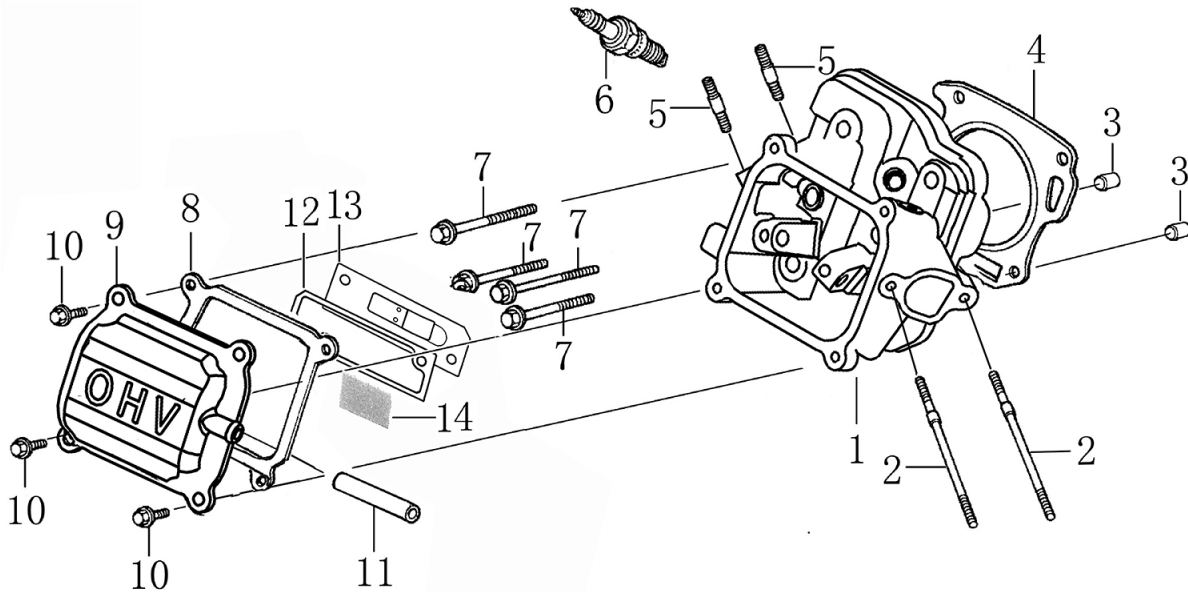
Engine Parts Manual

212cc (G19) EPA3/CARB

NOTICE!

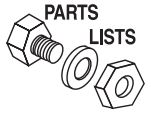
The information in this manual is known to be accurate as of the date of release shown on the cover. However, engineering changes can occur without notice. To obtain the proper parts, please be sure to use the serial number of the unit being serviced when ordering from this manual. Always refer to any parts notes and changes before ordering. All other parts not shown in this manual can be found on Generac's exploded view drawings online on GENservice at www.generac.com.

Cylinder Head

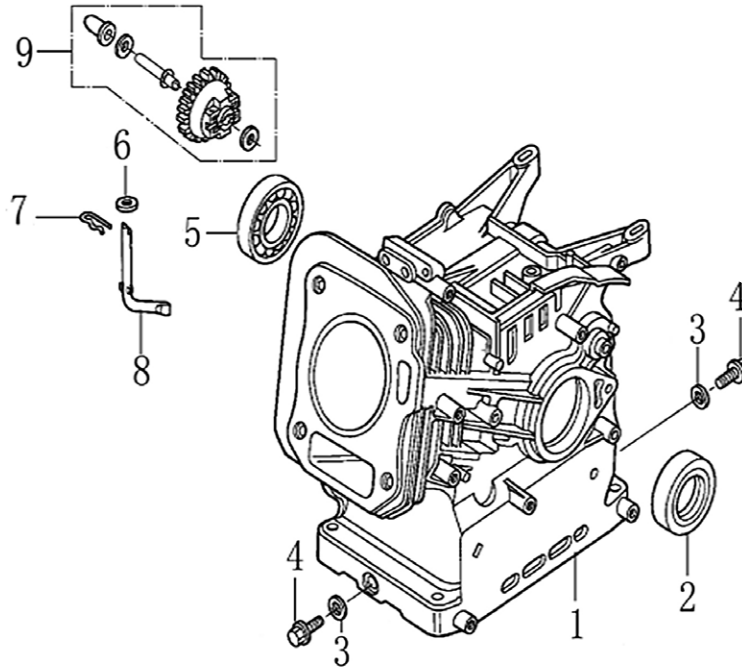


ITEM	PART NO.	QTY.	DESCRIPTION
1	0J88870101	1	HEAD, CYLINDER
2	0J35220159	2	BOLT, STUD, INTAKE
3	0J35220165	2	PIN, DOWEL
4	0K10430110	1	GASKET, CYLINDER HEAD
5	0G84420210	2	BOLT, STUD , EXHAUST
6	0J00620106	1	PLUG, SPARK
7	0J35220158	4	BOLT, FLANGE HEAD 8*60
8	0J88870103	1	GASKET, VALVE COVER
9	0J88870104	1	COVER, VALVE
10	0G84420217	4	BOLT, FLANGE , 6*14
11	0J88870105	1	TUBE, BREATHER
12	0J88870107	1	GASKET BREATHER CHAMBER
13	0J88870106	1	CAP, BREATHER CHAMBER
14	0J88870108	1	OIL STRAINER

212cc ENGINE

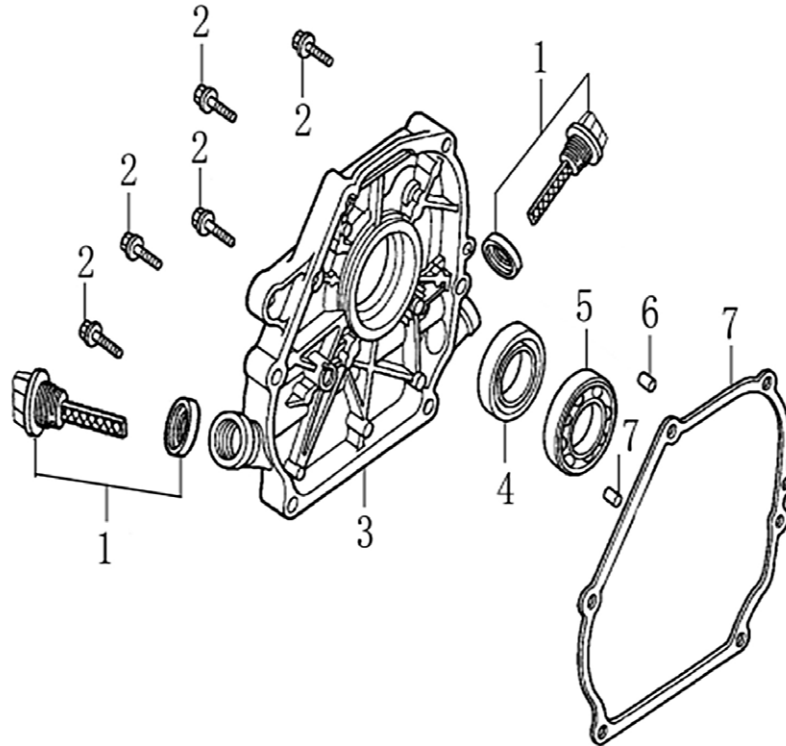


Crankcase



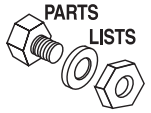
ITEM	PART NO.	QTY.	DESCRIPTION
1	OK44430110	1	CRANKCASE- 212CC
2	OJ35220166	1	OIL SEAL 25x41.25x6
3	OJ35220164	2	WASHER, DRAIN PLUG
4	OJ35220111	2	BOLT, DRAIN PLUG
5	OJ35230139	1	BEARING, RADIAL BALL
6	OJ47870118	1	WASHER, PLAIN
7	OG84420219	1	PIN, LOCK
8	OJ47870119	1	SHAFT, GOVERNOR ARM
9	OJ88870110	1	GOVERNOR GEAR ASSY.

Crankcase Cover

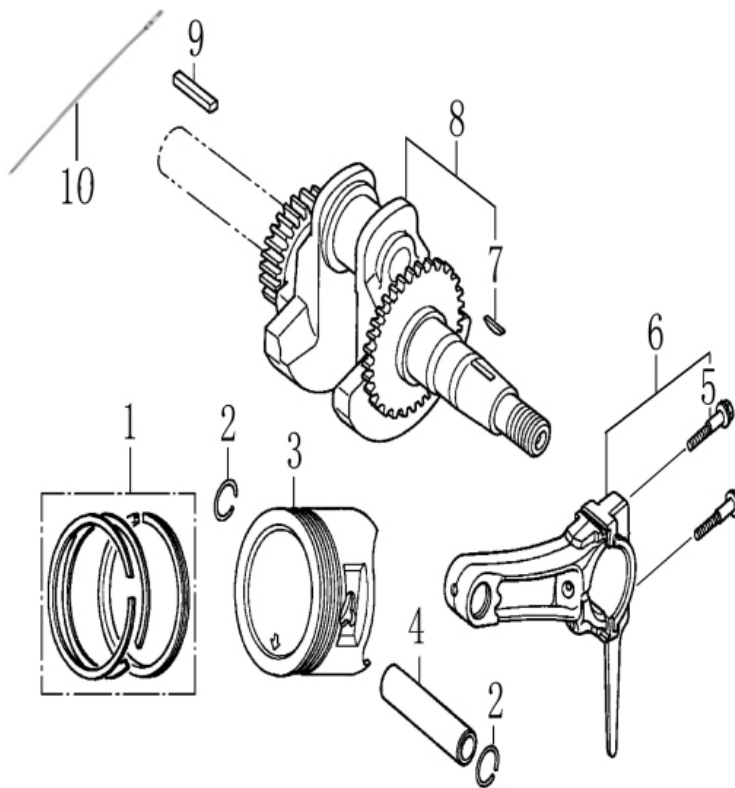


ITEM	PART NO.	QTY.	DESCRIPTION
1	0J35230110	2	DIPSTICK/CAP ASSY.
2	0J35230136	6	BOLT, FLANGE
3	0J88870111	1	COVER, CRANK CASE
4	0J35220166	1	SEAL, OIL 25x41.25x6
5	0J35230139	1	BEARING, RADIAL BALL
6	0J35230138	2	PIN, DOWEL
7	0J88870112	1	GASKET, CASE COVER

212cc ENGINE

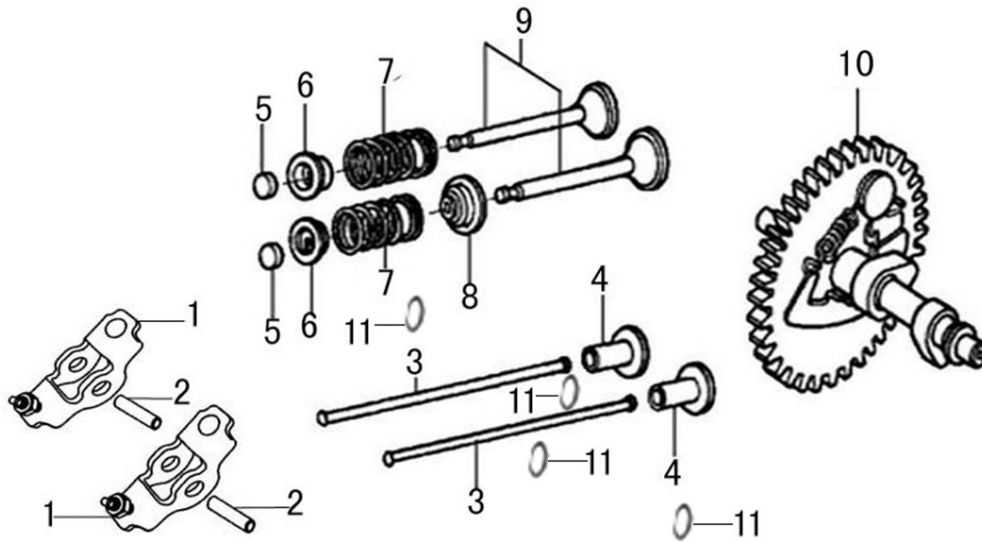


Crankshaft and Piston



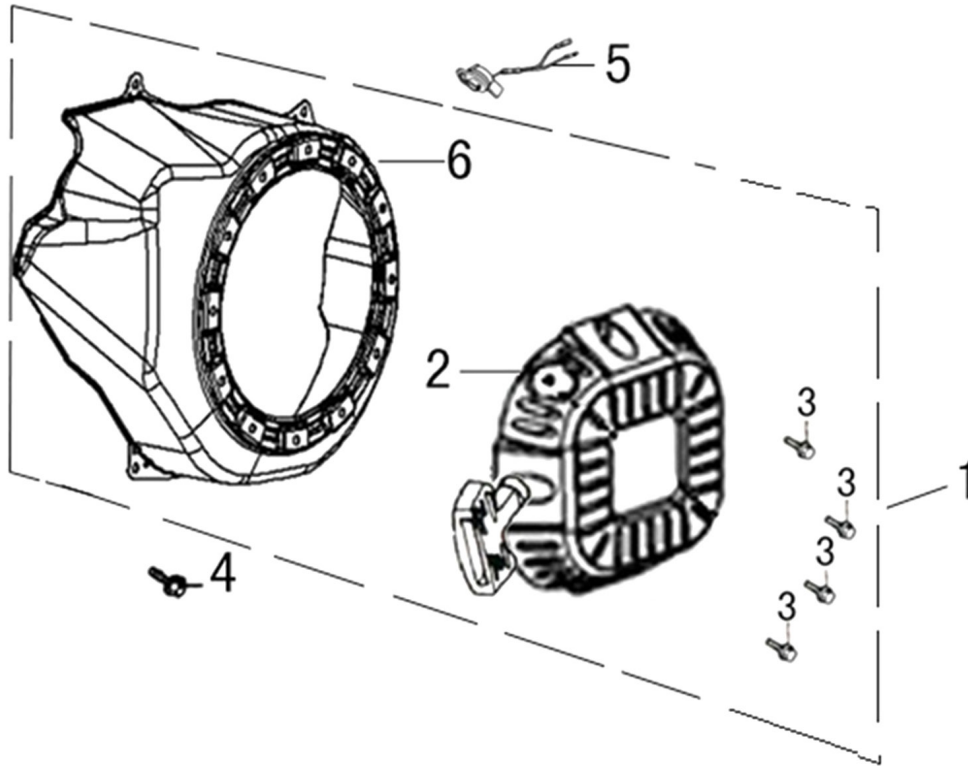
ITEM	PART NO.	QTY.	DESCRIPTION
1	0K10430113	1	RING SET
2	0J47870127	2	CLIP, PISTON PIN
3	0K10430114	1	PISTON
4	0J47870129	1	PIN, PISTON
5	0J47870130	2	BOLT, CONNECTING ROD
6	0J47870131	1	ROD ASSY., CONNECTING
7	0G84420119	1	KEY, SPECIAL WOODRUFF
8	0K10430115	1	CRANKSHAFT COMP
9	0J88870117	1	KEY, CRANKSHAFT
10	0H95590122	1	HOOP STRIP

Rocker and Camshaft



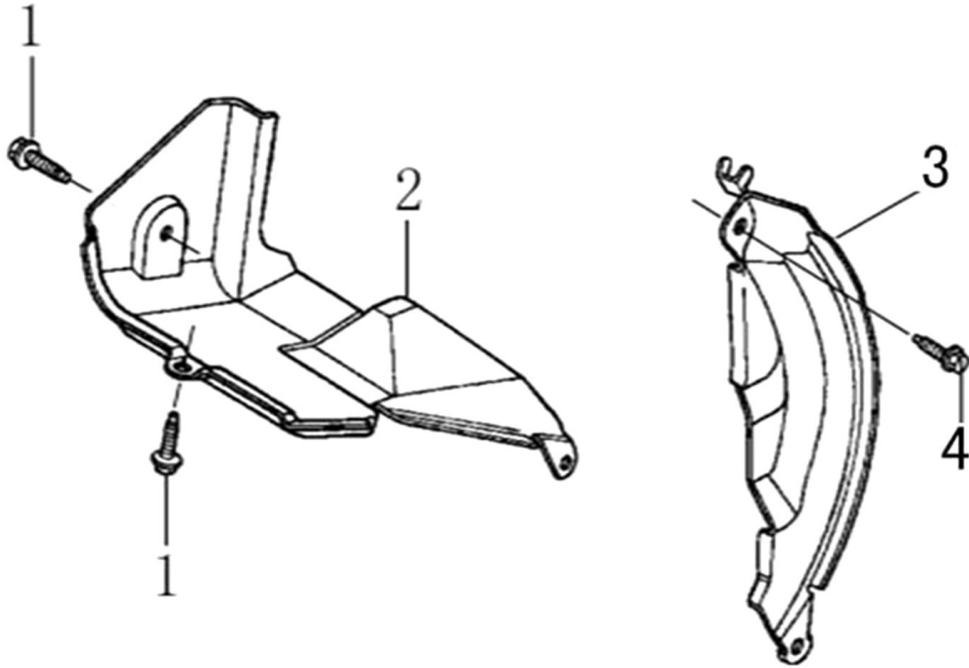
ITEM	PART NO.	QTY.	DESCRIPTION
1	0J88870120	2	ARM, ROCKER
2	0J88870119	2	VALVE ROCKER SHAFT
3	0J88870121	2	ROD, PUSH
4	0J35220122	2	VALVE, LIFTER-TAPPET
5	0J35230114	2	VALVE, ROTATOR
6	0J35220118	2	RETAINER, VALVE SPRING
7	0J35220117	2	SPRING, VALVE
8	0J35220119	1	SEAL, GUIDE
9	0J35230140	1	VALVE SET
10	0J47870133	1	CAMSHAFT ASSY.
11	0K10430117	4	WASHER, SPLIT

Starter



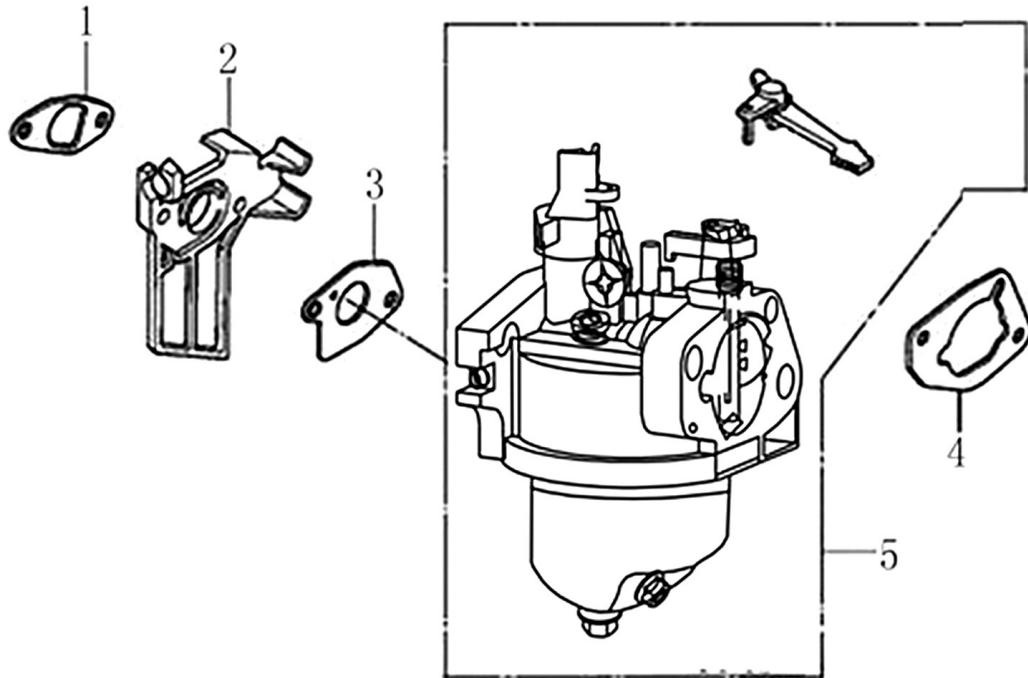
ITEM	PART NO.	QTY.	DESCRIPTION
1	0K44430111	1	RECOIL STARTER W/HSNG
2	0K40510117	1	STARTER ASSY., RECOIL
3	0G84420241	4	BOLT, FLANGE 6x8
4	0J35220157	4	BOLT, FLANGE 6x10
5	0K40510112	1	SWITCH ASSY., ENGINE STOP
6	0K10430123	1	COVER, FAN

Shrouds



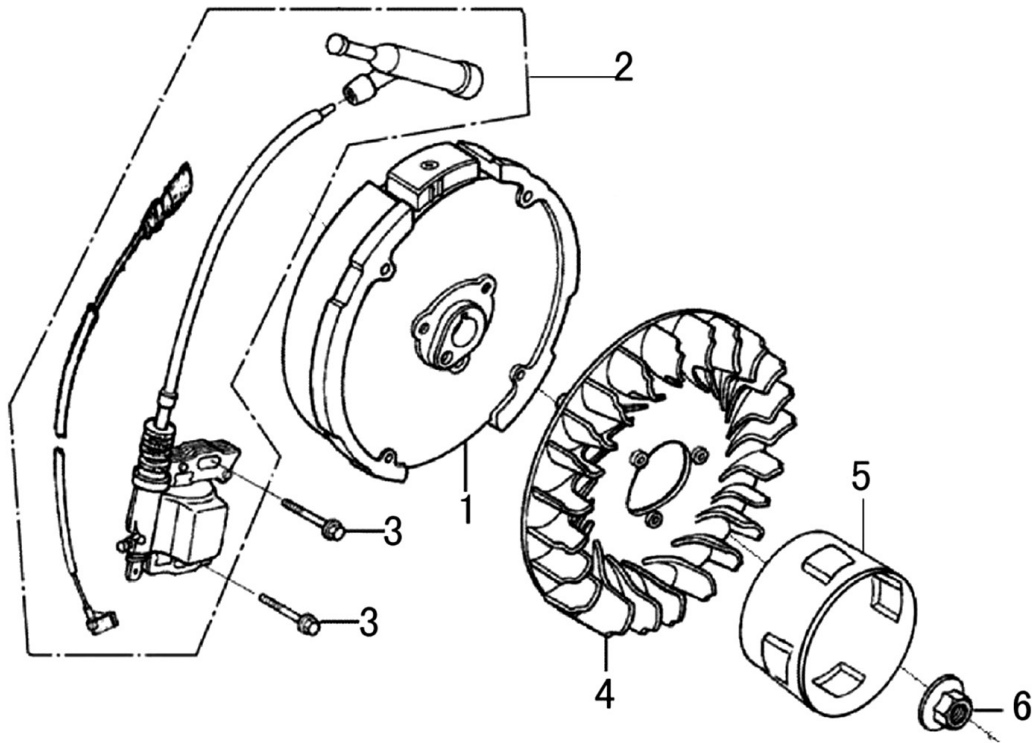
ITEM	PART NO.	QTY.	DESCRIPTION
1	0G84420241	2	BOLT, FLANGE 6x8
2	0J35230118	1	SHROUD COMP
3	0K40510113	1	PLATE, SIDE
4	0J35220156	1	BOLT, FLANGE, 6x20

Carburetor



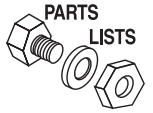
ITEM	PART NO.	QTY.	DESCRIPTION
1	0J35220128	1	GASKET, INSULATOR
2	0K49010110	1	INSULATOR, CARBURETOR
3	0J35220127	1	GASKET, CARBURETOR
4	0J35220129	1	GASKET, AIR CLEANER/CARB
5	0K10430120	1	CARBURETOR

Flywheel

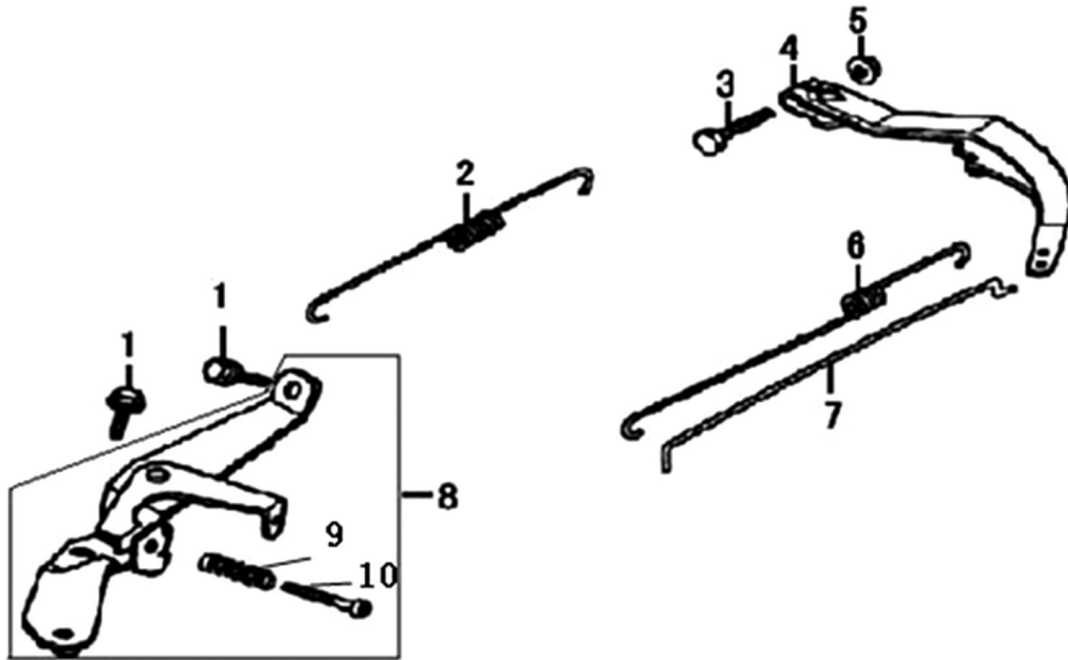


ITEM	PART NO.	QTY.	DESCRIPTION
1	0H95610115	1	FLYWHEEL
2	0J35220153	1	COIL ASSY., IGNITION
3	0G84420268	2	BOLT, FLANGE, 6x25
4	0J35230117	1	FAN, COOLING
5	0K10430121	1	PULLEY, STARTER
6	0J35220162	1	NUT, SPECIAL

212cc ENGINE

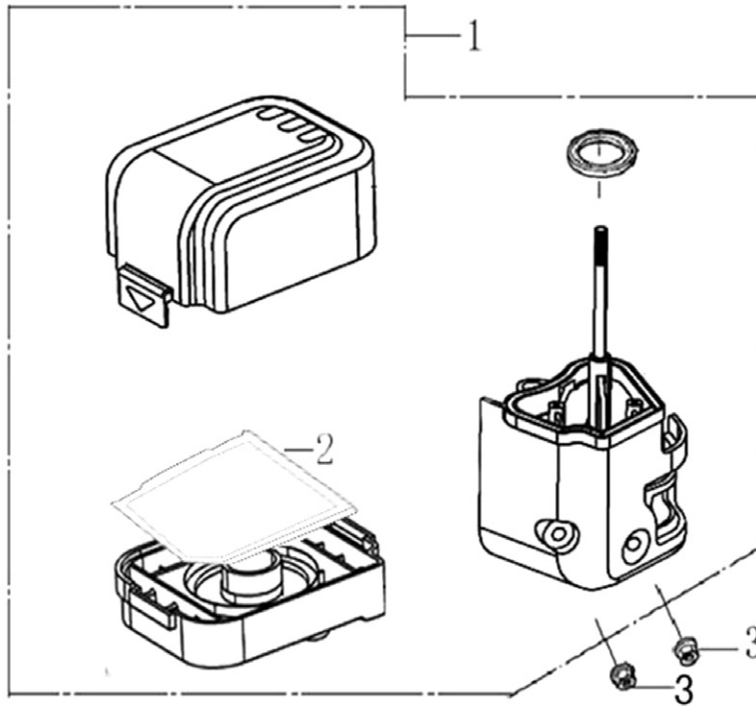


Control



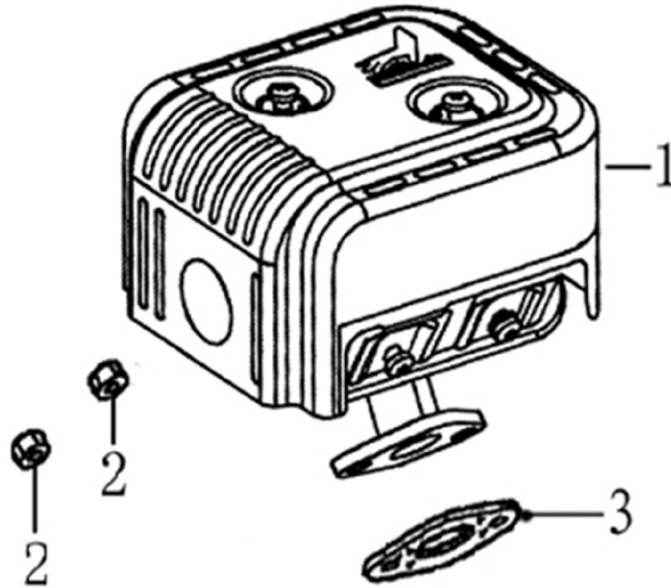
ITEM	PART NO.	QTY.	DESCRIPTION
1	0J35220157	2	BOLT, FLANGE
2	0J35220136	1	SPRING, GOVERNOR
3	0G84420197	1	BOLT, QUADRATE HEAD
4	0J35220138	1	ARM, GOVERNOR
5	0G84420272	1	NUT, FLANGE
6	0J35220137	1	SPRING, THROTTLE RETURN
7	0H95590116	1	ROD, GOVERNOR
8	0J47870149	1	CONTROL ASSY.
9	0J47870150	1	SPRING
10	0J35250132	1	SCREW, 5x35

Air Cleaner



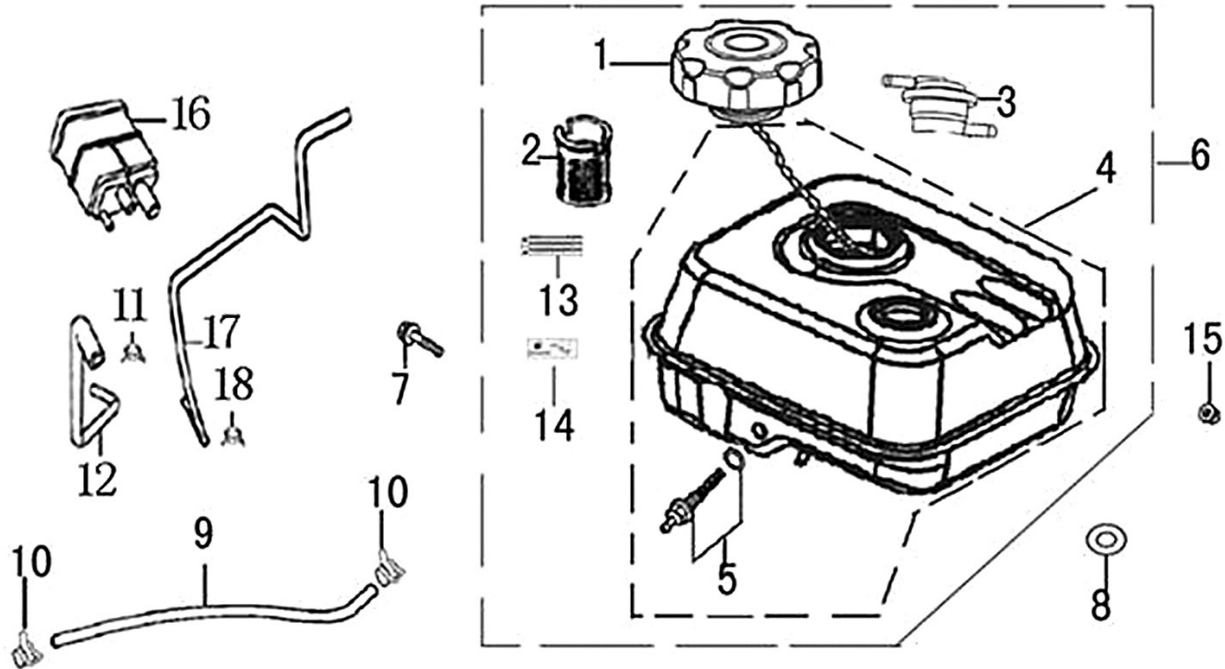
ITEM	PART NO.	QTY.	DESCRIPTION
1	0K44430112	1	AIR CLEANER ASSY
2	0K40510116	1	ELEMENT ASSY., AIR CLEANER
3	0G84420272	2	NUT, FLANGE

Muffler



ITEM	PART NO.	QTY.	DESCRIPTION
1	0K10470100	1	MUFFLER ASSY.
2	0J35220161	2	NUT, HEX.
3	0J35220144	1	GASKET, MUFFLER
NOT SHOWN	0K1851	1	ARRESTOR, SPARK

Fuel Tank



ITEM	PART NO.	QTY.	DESCRIPTION
1	0J88870127	1	CAP COMP., FUEL FILLER
2	0J35220133	1	FILTER, FUEL
3	0J88870128	1	VALVE, ROLL OVER
4	0K10430122	1	TANK W/ JOINT ASSY., FUEL
5	0J35220132	1	JOINT ASSY., FUEL TANK
6	0J88870129	1	TANK, FUEL, COMP.
7	0G84420268	1	BOLT, FLANGE , 6x25
8	0J35220171	2	WASHER, RUBBER
9	0G9757D	1	HOSE, FUEL
10	0J88870130	2	CLAMP
11	0J88870132	1	CLAMP
12	0K10470102	1	HOSE, ROV TO CARB CANISTR
13	N/A	1	WARNING MARK
14	N/A	1	REMINDER MARK
15	0G84420272	2	NUT, FLANGE
16	0K10470101	1	CARBON CANISTER ASSY
17	0J35220147	1	HOSE, A/C TO CARB CNSTR
18	0J35220174	1	CLAMP

212cc ENGINE



