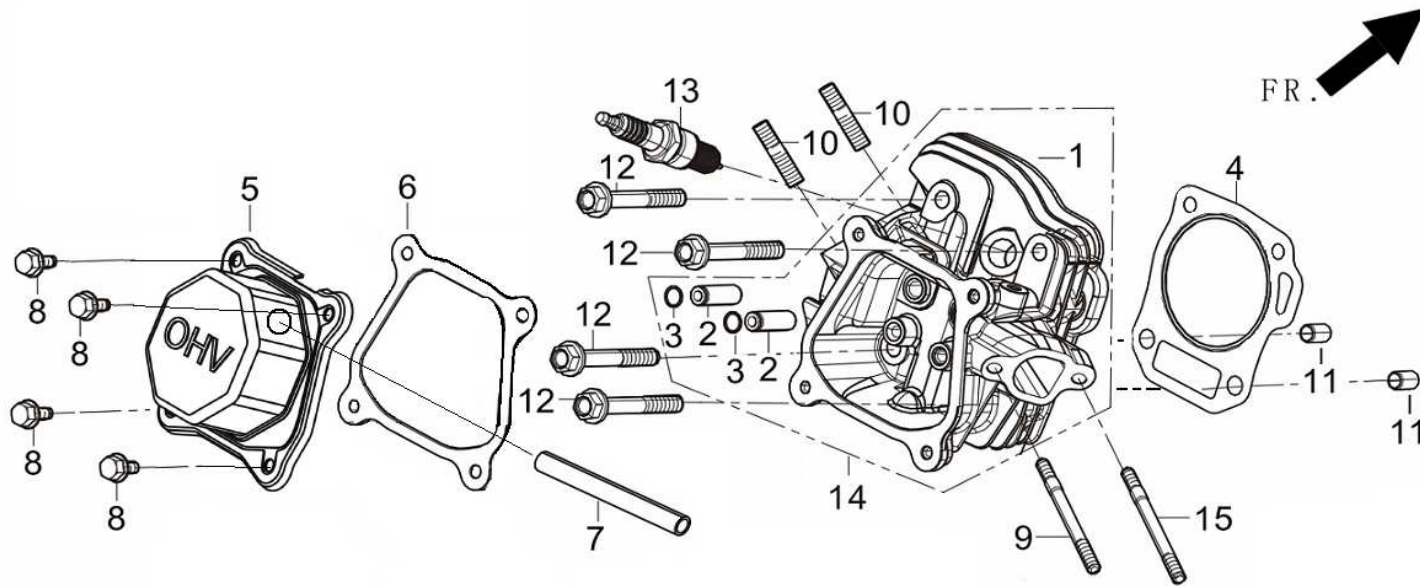
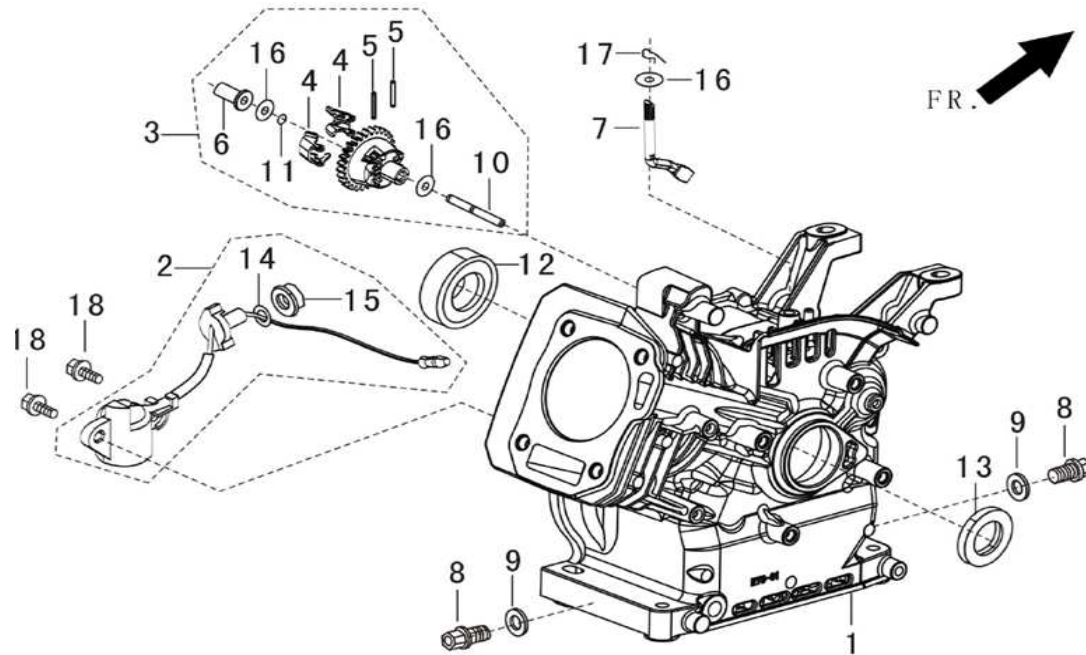


FIG.1 CYLINDER HEAD SUBASSEMBLY



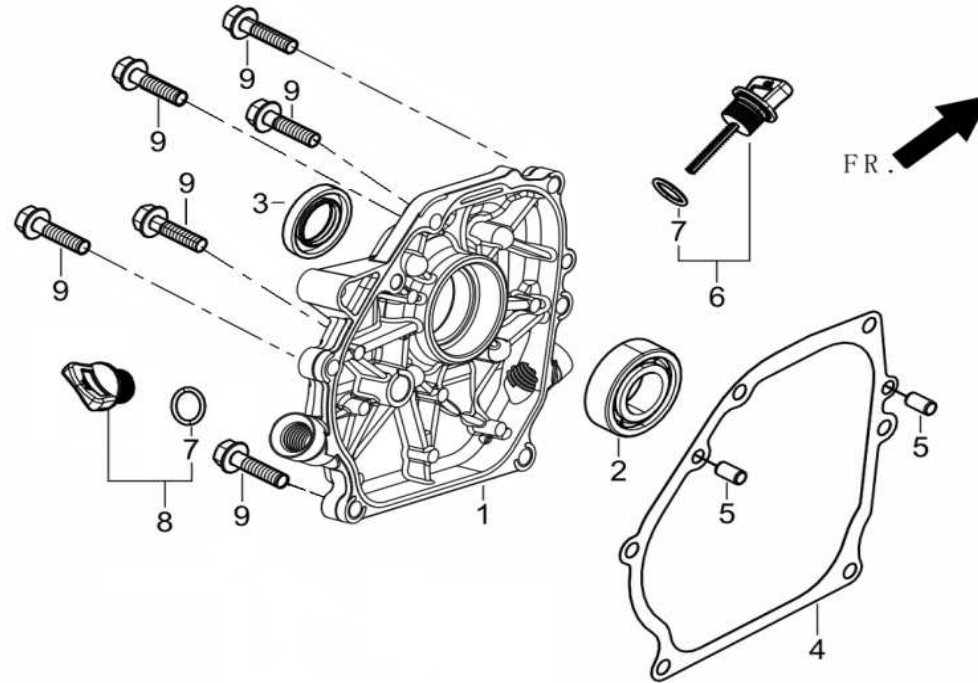
REF.NO.	DESCRIPTION	QTY	MiTM	RATO
1-04	GASKET-CYLINDER HEAD	1	45-0463	12131-Z530320-0000
1-05	CYLINDER HEAD COVER SUBASSY	1	45-0464	12410-Z440210-0099
1-06	GASKET-CYLINDER HEAD COVER	1	45-0465	12004-Z440210-0000
1-07	BREATHER TUBE	1	45-0466	17004-Z440110-0000
1-08	BOLT- M6x1.0x12mm	4	45-0315	90001-0612-01
1-09	STUD - M6x1x113 OAL	1	45-0467	90204-Z010310-0000
1-10	STUD - M8x1.25x113 OAL	2	45-0468	90203-Z010110-0000
1-11	PIN-CYLINDER HEAD	2	45-0469	90502-1114-00
1-12	BOLT - M8x1.25x60 FLANGE	4	45-0470	12003-Z010110-0000
1-13	SPARK PLUG	1	45-0471	30010-Z010110-0000
1-14	CYLINDER HEAD SUBASSY	1	45-0472	12140-Z440510-0099
1-15	STUD-CYLINDER HEAD	1	45-0684	90207-Z330210-0000

FIG.2 CRANKCASE/GOVERNOR GEAR ASSEMBLY



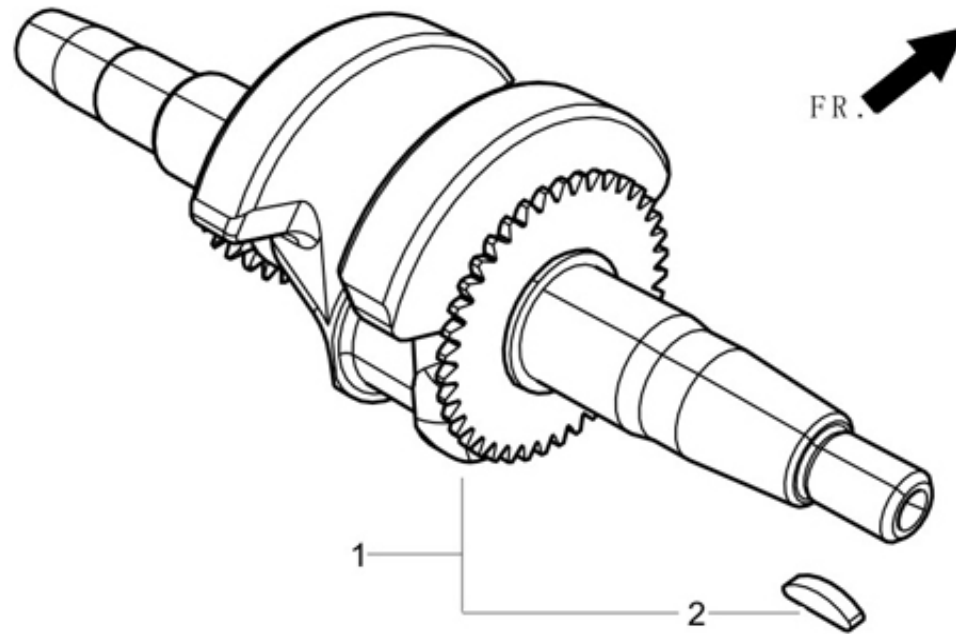
REF.NO.	DESCRIPTION	QTY	MiTM	RATO
2-01	CRANKCASE SUBASSY	1	45-0473	11310-Z530410-0099
2-02	SENSOR-ENGINE OIL	1	45-0474	37060-Z010120-0000
2-03	GOVERNOR GEAR ASSY	1	45-0475	16400-Z010110-0000
2-07	GOVERNOR ARM	1	45-0476	16061-Z010110-0000
2-08	BOLT-DRAIN PLUG-M10x1.25x15 FL	2	45-0477	11007-Z010110-0000
2-09	WASHER-OIL DRAIN-OD16, ID10	2	45-0530	90408-Z010110-0000
2-12	BEARING-GOV GEAR	1	45-0478	90547-0205-CL
2-13	SEAL-OIL	1	45-0479	90682-Z300110-0000
2-15	NUT-CRANKCASE	1	45-0685	90327-1000-31
2-16	WASHER-GOVERNOR GEAR	1	45-0480	90408-Z010210-0000
2-17	PIN	1	45-0328	90501-Z010110-0000
2-18	BOLT-CRANKCASE-M6x1x14 FLANGE	2	45-0531	90001-0614-01

FIG.3 CRANKCASE COVER SUBASSEMBLY



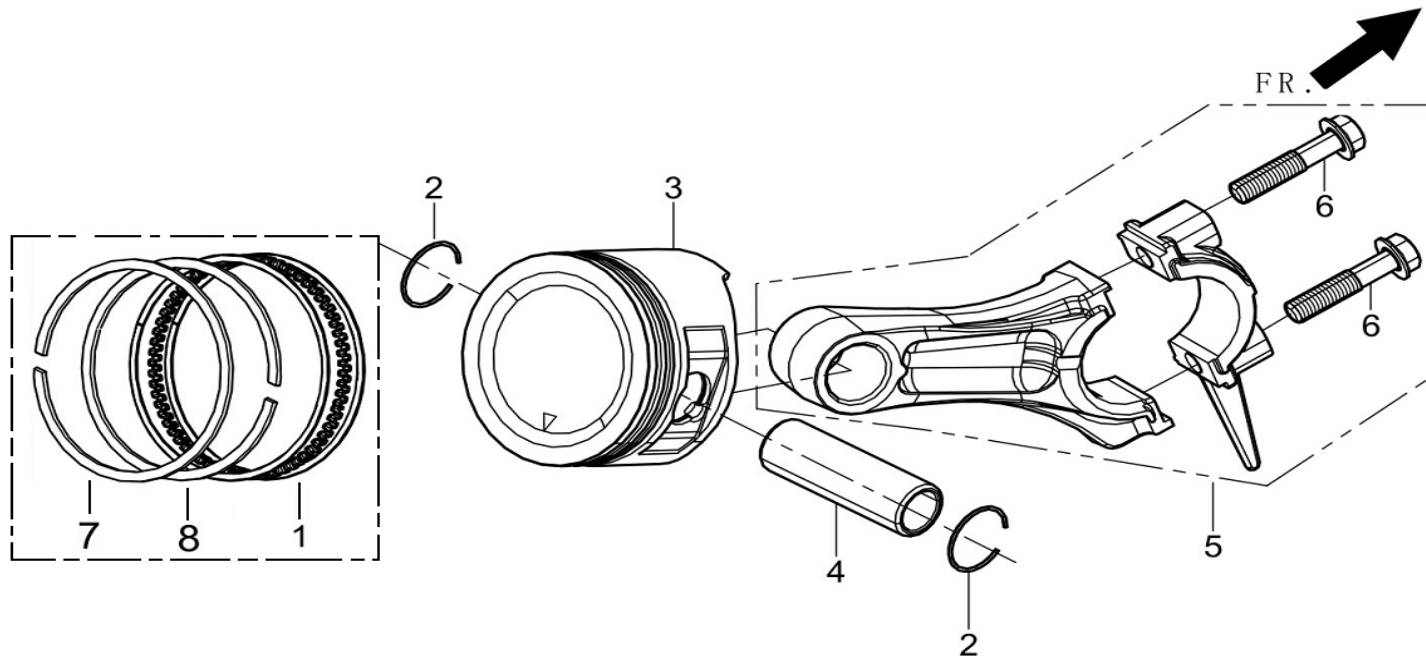
REF.NO.	DESCRIPTION	QTY	MiTM	RATO
3-01	COVER-CRANKCASE	1	45-0481	11411-Z440210-0000
3-02	BEARING-GOVERNOR GEAR	1	45-0478	90547-0205-CL
3-03	SEAL-OIL	1	45-0479	90682-Z300110-0000
3-04	GASKET-CRANKCASE	1	45-0482	11001-Z440110-0000
3-05	PIN	2	45-0329	90502-0912-00
3-06	OIL DIPSTICK SUBASSY	1	45-0483	15010-Z010120-Q500
3-08	OIL PLUG SUBASSY	1	45-0594	15030-Z010120-Q500
3-09	BOLT-M8X1.25X32 FLANGE	6	45-0532	90001-0832-01

FIG.4 CRANKSHAFT CONNECTING ROD



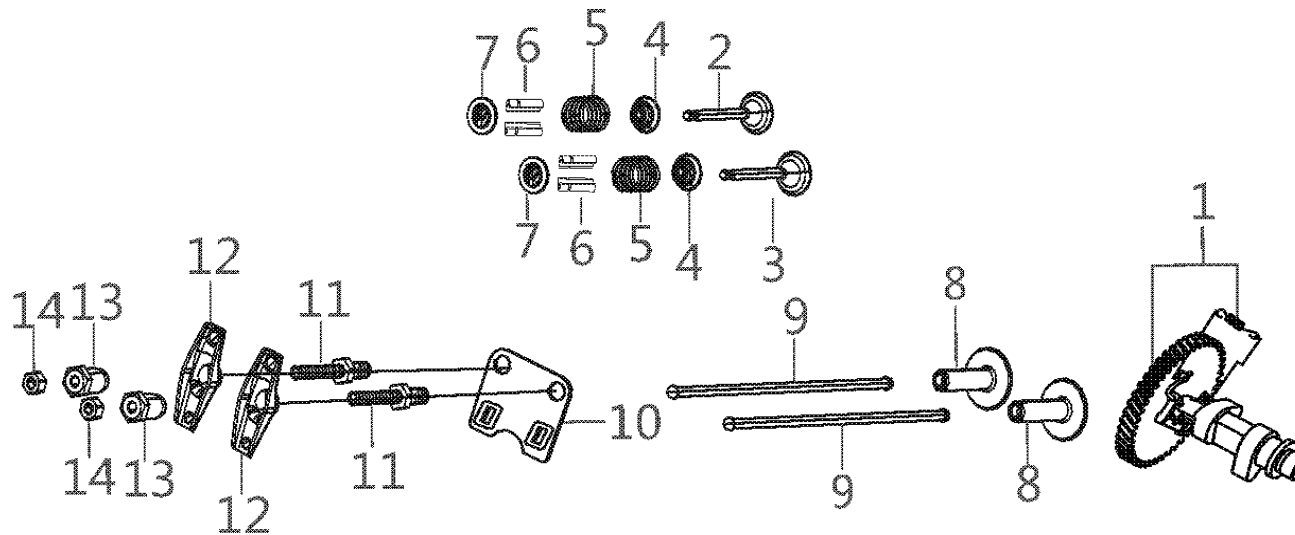
REF.NO.	DESCRIPTION	QTY	MiTM	RATO
4-01	CRANKSHAFT ASSY	1	45-0484	13300-Z530210-0000

FIG.5 PISTON SUBASSEMBLY



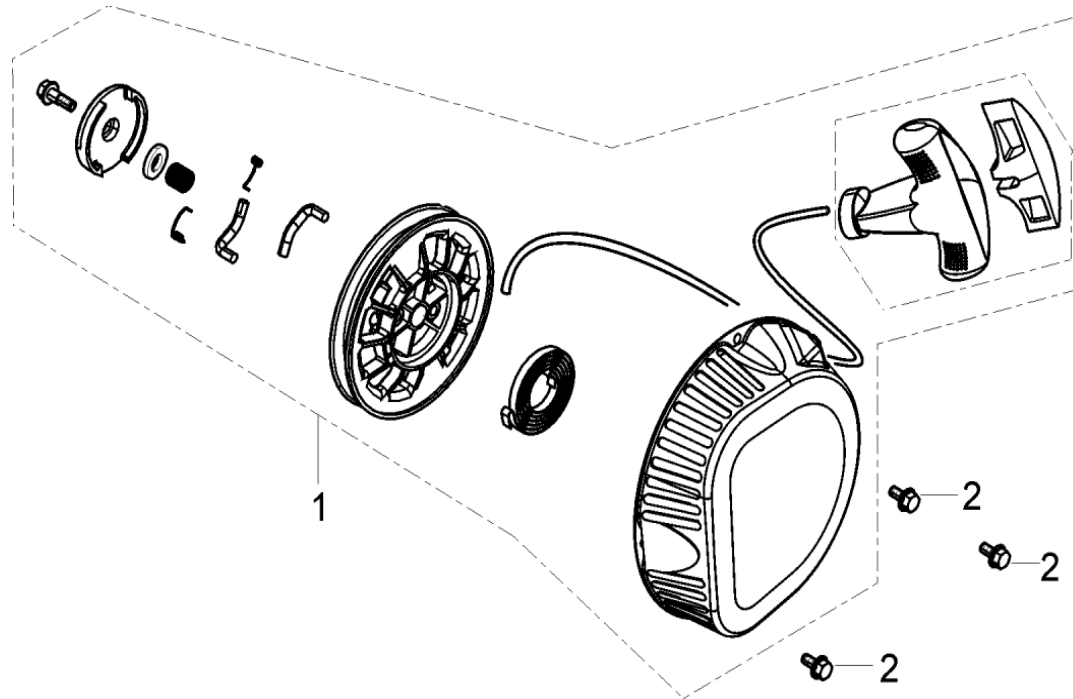
REF.NO.	DESCRIPTION	QTY	MiTM	RATO
5-01	OIL RING SET	1	45-0490	13210-Z140220-0099
5-02	CLIP-PISTON PIN	2	45-0350	13122-Z010110-0000
5-03	PISTON-70mm BORE	1	45-0485	13111-Z140220-0099
5-04	PISTON PIN	1	45-0486	13121-Z010110-0000
5-05	CONNECTING ROD	1	45-0487	13010-Z440210-0099
5-07	RING-THE FIRST	1	45-0488	13201-Z140210-0099
5-08	RING-THE SECOND	1	45-0489	13202-Z140210-0099

FIG.6 VALVE TRAIN / CAMSHAFT SUBASSEMBLY



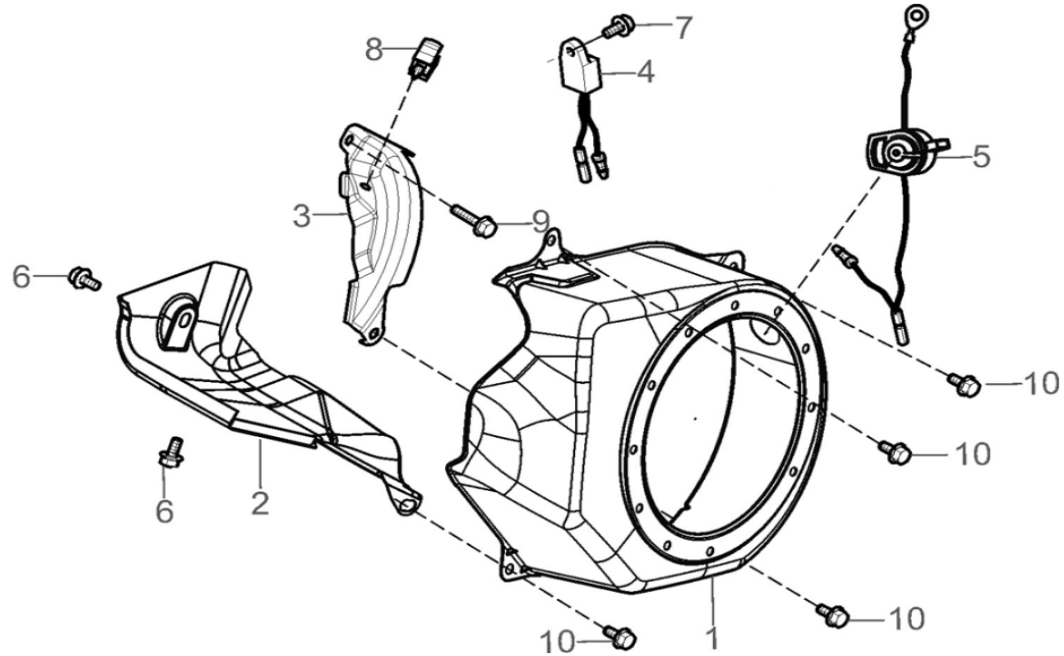
REF.NO.	DESCRIPTION	QTY	MiTM	RATO
6-01	CAMSHAFT ASSY	1	45-0491	14200-Z530110-0099
6-02	VALVE-EXHAUST	1	45-0492	12121-Z010120-0000
6-03	VALVE-INTAKE	1	45-0493	12111-Z010310-0099
6-04	GUIDE-SEAL	2	45-0496	12101-Z010110-0000
6-05	VALVE-SPRING	2	45-0501	12103-Z010110-0000
6-06	CLIP VALVE LOCK	4	45-0547	12109-Z810110-0000
6-07	SEAT-VALVE SPRING	2	45-0494	12107-Z010110-0000
6-08	VALVE-TAPPET	2	45-0497	14081-Z040110-0000
6-09	VALVE LIFTER SUBASSY	2	45-0498	14071-Z440110-0000
6-10	LIFTER STOPPER PLATE	1	45-0499	14090-Z010110-0000
6-11	BOLT-VALVE ADJUSTING	2	45-0270	14313-Z010110-0000
6-12	VALVE ROCKER	2	45-0500	14311-Z010110-0000
6-13	NUT-VALVE ADJUSTING	2	45-0271	14314-Z010110-0000
6-14	NUT-VALVE LOCK	2	45-0269	14312-Z010110-0000

FIG.7 RECOIL STARTER



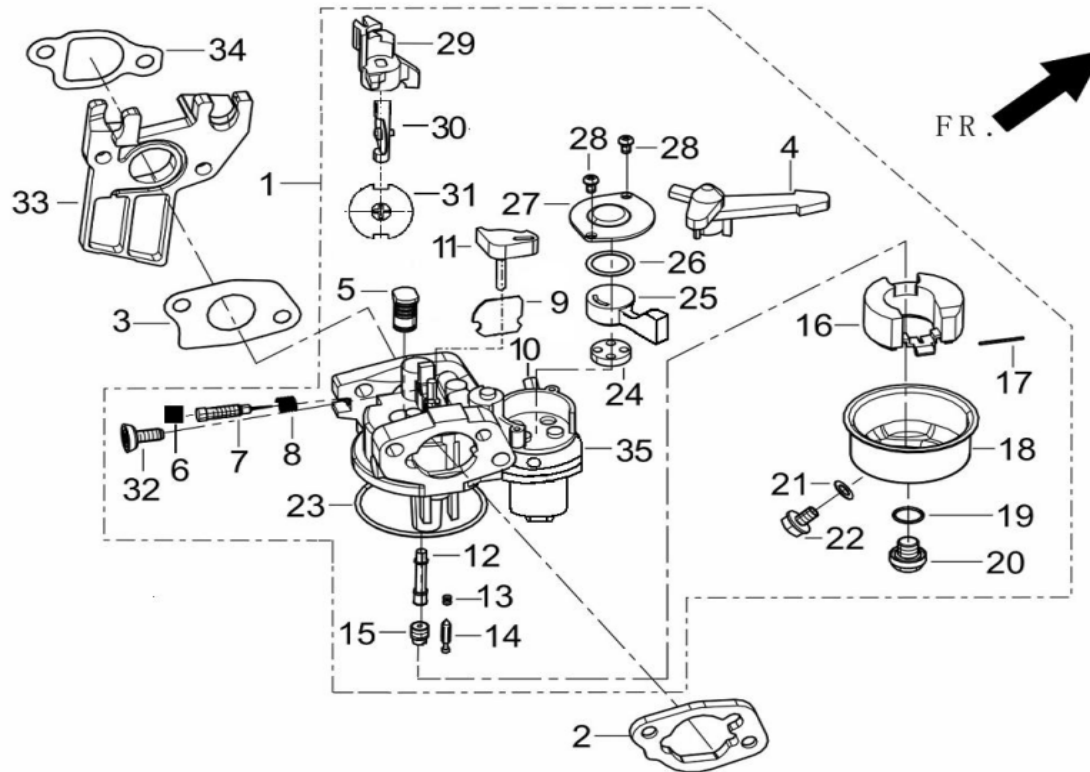
REF.NO.	DESCRIPTION	QTY	MiTM	RATO
7-01	RECOIL STARTER ASSY	1	45-0502	28200-Z010720-H600
7-02	BOLT-RECOIL STARTER	3	45-0381	90001-0608-01

FIG.8 SHROUDS



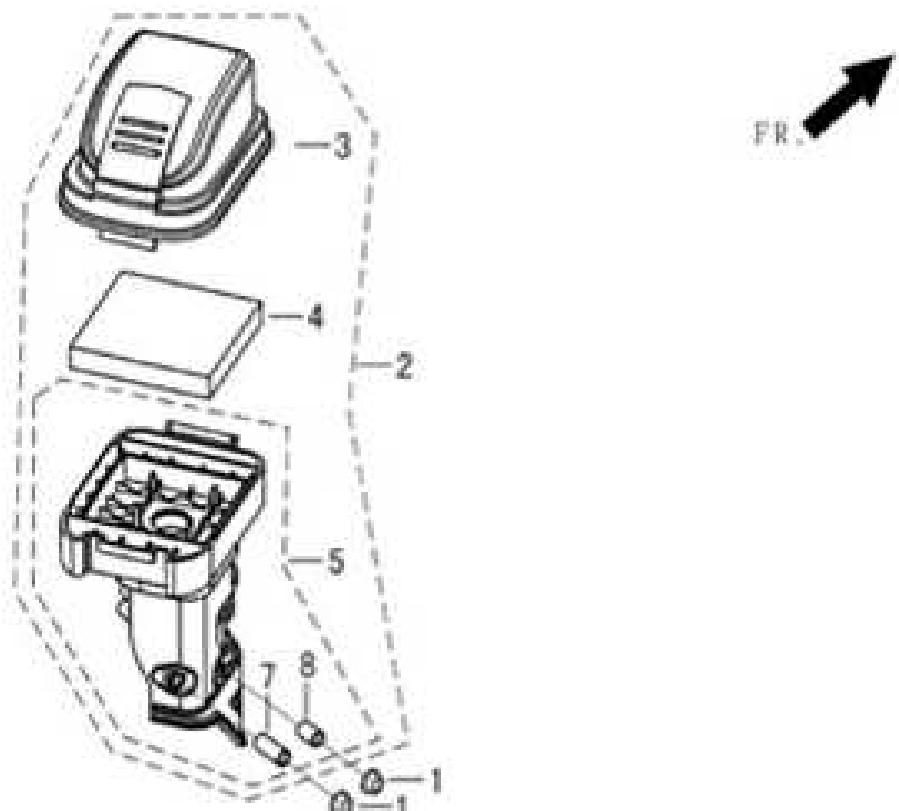
REF.NO.	DESCRIPTION	QTY	MiTM	RATO
8-01	SHROUD-IMPELLER	1	45-0503	28110-Z010410-H600
8-02	SHROUD-CYLINDER BODY	1	45-0504	19304-Z010110-0000
8-03	LOWER SHIELD	1	45-0505	19340-Z010120-0000
8-04	PROTECTOR-OIL	1	45-0313	37050-Z010210-0000
8-05	SWITCH-STOP ENGINE	1	45-0506	35540-Z060130-Q200
8-06	BOLT-SHROUD-M6X1X10 FLANGE	2	45-0533	90001-0610-01
8-07	BOLT- M6x1.0x12mm	1	45-0315	90001-0612-01
8-08	CLIP-SHROUD	1	45-0507	90740-Z010110-0000
8-09	BOLT	1	45-0316	90001-0616-01
8-10	BOLT- M6x1.0x12mm	4	45-0315	90001-0612-01

FIG.9 CARBURETOR ASSY



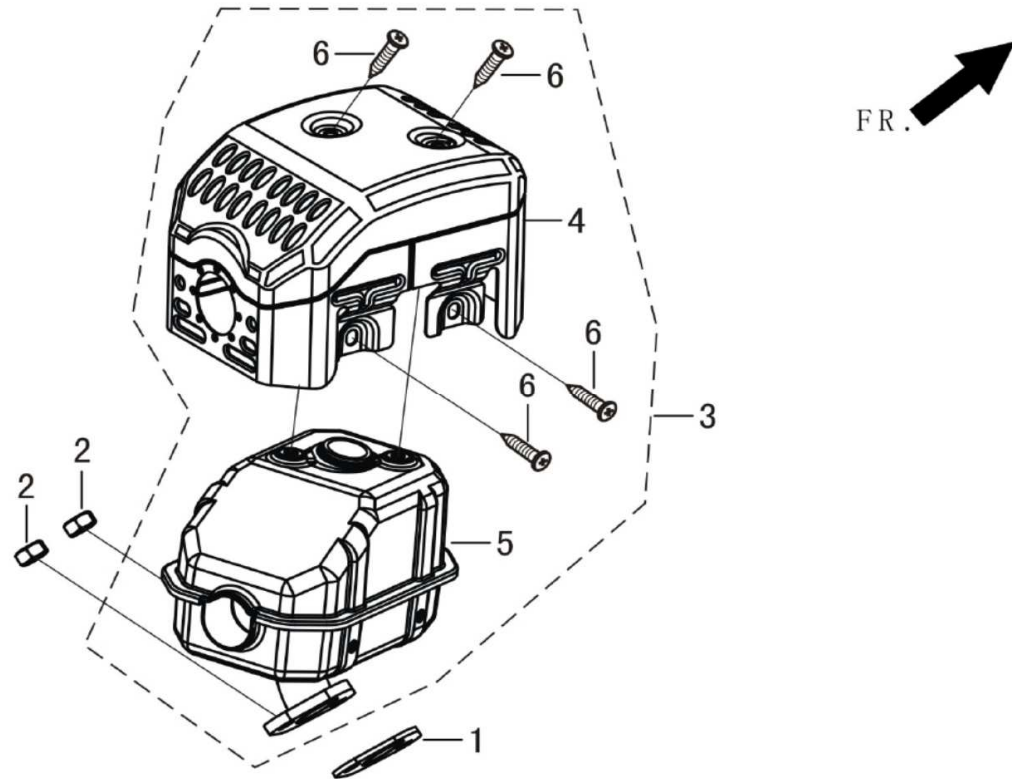
REF.NO.	DESCRIPTION	QTY	MiTM	RATO
9-01	CARBURETOR ASSY	1	45-0508	16100-Z530410-0099
9-02	GASKET-AIR CLEANER	1	45-0509	17001-Z010210-0000
9-03	GASKET-CARBURETOR	1	45-0201	16001-Z010110-0000
9-33	PLATE-CARBURETOR INSULATOR	1	45-0510	16003-Z010110-0000
9-34	GASKET-CARBURETOR INSULATOR	1	45-0511	16002-Z050110-0000

FIG.10 AIR CLEANER



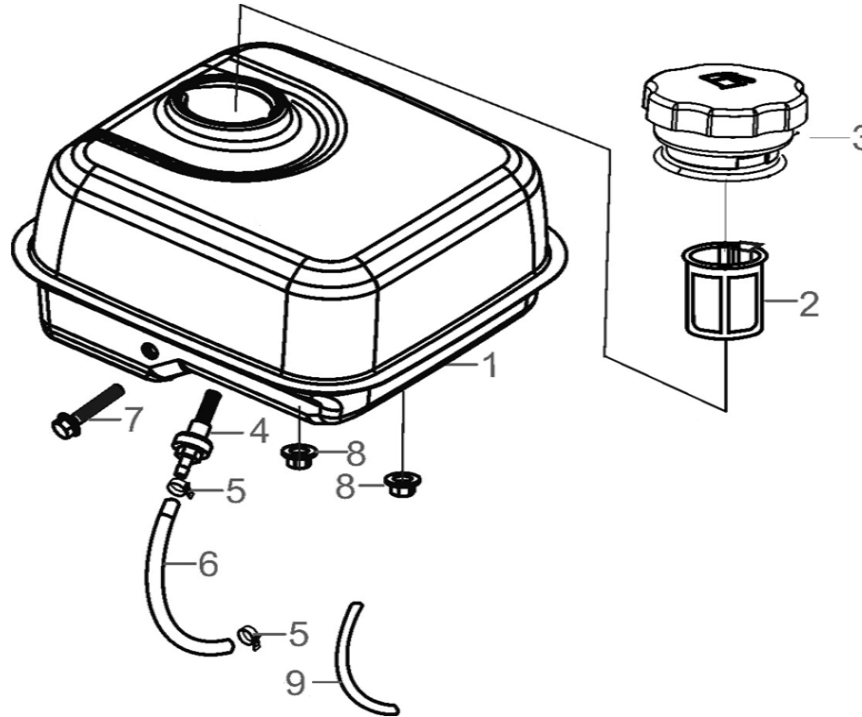
REF.NO.	DESCRIPTION	QTY	MiTM	RATO
10-01	NUT	2	45-0324	90305-0600-31
10-02	AIR CLEANER	1	45-0512	17100-Z440110-0000
10-04	AIR CLEANER ELEMENT	1	45-0686	17151-Z440110-0000

FIG.11 MUFFLER ASSEMBLY



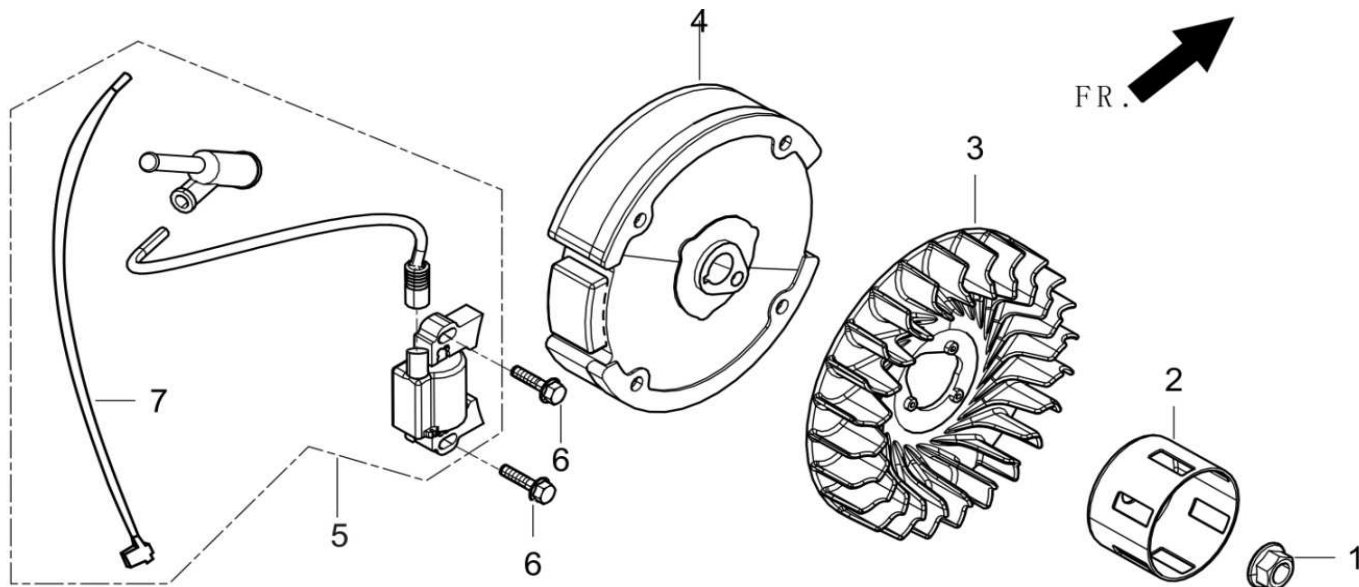
REF.NO.	DESCRIPTION	QTY	MiTM	RATO
11-01	GASKET-EXHAUST OUTLET	1	45-0513	18001-Z440110-0000
11-02	NUT-MUFFLER	2	45-0534	90303-0800-31
11-03	MUFFLER ASSY-212CC	1	45-0514	18100-Z442220-H699

FIG.12 FUEL TANK ASSEMBLY



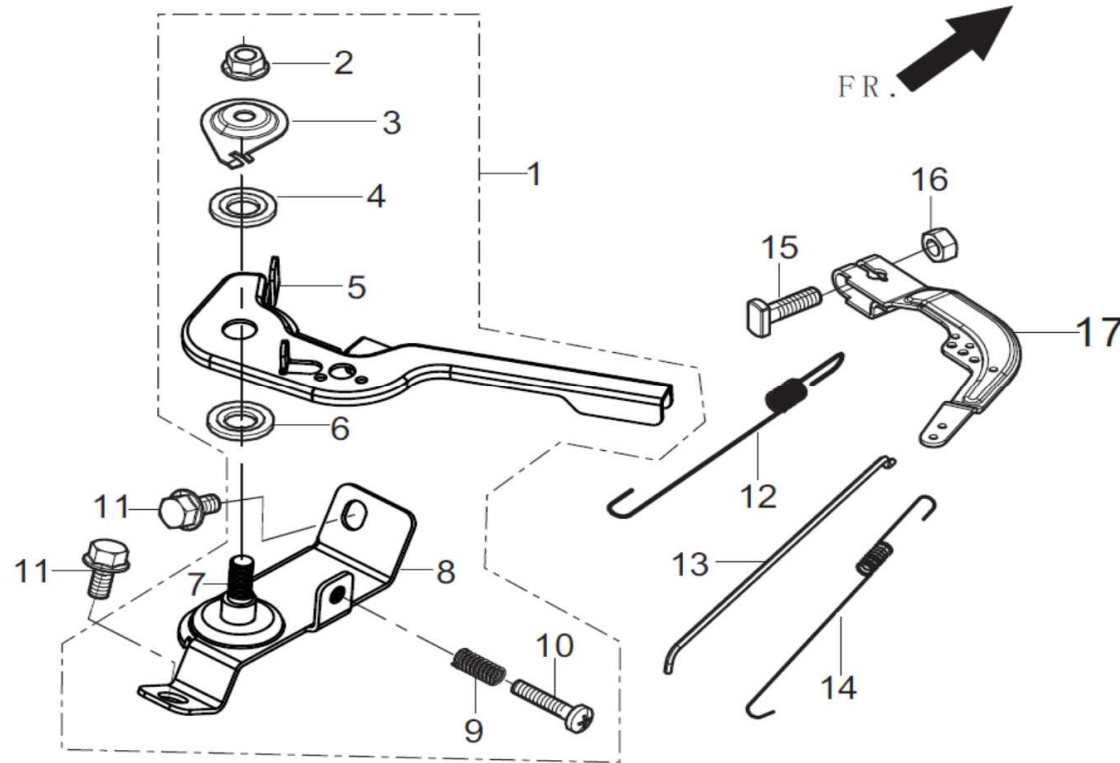
REF.NO.	DESCRIPTION	QTY	MiTM	RATO
12-01	FUEL TANK-212CC	1	45-0515	16620-Z440410-H600
12-02	STRAINER-FUEL	1	45-0411	16652-Z010710-0000
12-03	CAP-FUEL TANK	1	45-0516	16730-Z440210-LK00
12-04	FUEL TANK-OIL SUBASSY	1	45-0289	16680-Z010110-0000
12-05	CLAMP	2	45-0517	90740-Z010210-0000
12-06	HOSE-FUEL 5mm	1	45-0518	90686-Z010710-0000
12-07	BOLT-FUEL TANK	1	45-0319	90001-0630-01
12-08	NUT-FUEL TANK	2	45-0324	90305-0600-31
12-09	HOSE-AIR CLEANER	1	45-0519	30431-Z010110-0000

FIG.13 FLYWHEEL / IMPELLER / STARTER PULLEY / IGNITION COIL



REF.NO.	DESCRIPTION	QTY	MiTM	RATO
13-01	NUT-FLYWHEEL	1	45-0520	13501-Z010110-0000
13-02	PULLEY-STARTER	1	45-0521	28002-Z010310-0000
13-03	IMPELLER	1	45-0522	19352-Z440110-0000
13-04	FLYWHEEL SUBASSY	1	45-0523	13510-Z440110-0000
13-05	IGNITION COIL	1	45-0524	30400-Z440110-0000
13-06	BOLT-IGNITION COIL-M6X1X25FLA	2	45-0535	90001-0625-01

FIG.14 THROTTLE CONTROL ASSEMBLY



REF.NO.	DESCRIPTION	QTY	MiTM	RATO
14-01	THROTTLE CONTROL ASSY	1	45-0525	16520-Z010420-0000
14-11	BOLT-SHROUD-M6X1X10 FLANGE	2	45-0533	90001-0610-01
14-12	SPRING-GOVERNOR	1	45-0526	16063-Z050120-0000
14-13	ROD-GOVERNEOR	1	45-0527	16062-Z010110-0000
14-14	SPRING-THROTTLE VALVE RETURN	1	45-0528	16012-Z010110-0000
14-15	BOLT-GOVERNOR SUPPORT	1	45-0282	16072-Z010110-0000
14-16	NUT	1	45-0324	90305-0600-31
14-17	GOVERNOR SUPPORT SUBASSY	1	45-0529	16070-Z010110-0000