



Illustrated Parts List

Model Series

10H900

TYPE NUMBERS
0101 through 0641.

TABLE OF CONTENTS

| | |
|-----------------------------------|---|
| Air Cleaner | 6 |
| Blower Housing/Shrouds | 7 |
| Brake | 5 |
| Camshaft | 3 |
| Carburetor | 4 |
| Controls | 5 |
| Crankcase Cover/Sump | 3 |
| Crankshaft | 3 |
| Cylinder | 2 |
| Cylinder Head | 2 |
| Exhaust System | 6 |
| Flywheel | 7 |
| Fuel Supply | 4 |
| Gasket Set - Engine | 2 |
| Gasket Set - Valve | 2 |
| Governor Spring | 5 |
| Ignition | 5 |
| Lubrication | 2 |
| Operator's Manual | 2 |
| Piston/Rings/Connecting Rod | 3 |
| Rewind Starter | 7 |
| Warning Label | 2 |

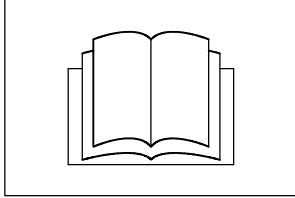


PRINTED IN U.S.A.

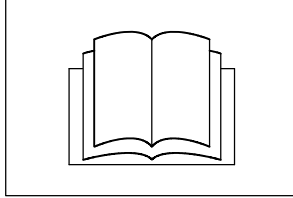
COPYRIGHT by BRIGGS & STRATTON CORPORATION
All rights reserved. No part of this material may be reproduced or transmitted, in any form or by any means, electronic or mechanical, including photocopying, recording or by any information storage and retrieval system, without permission in writing from Briggs & Stratton Corporation.

10H900

1058 OPERATOR'S MANUAL



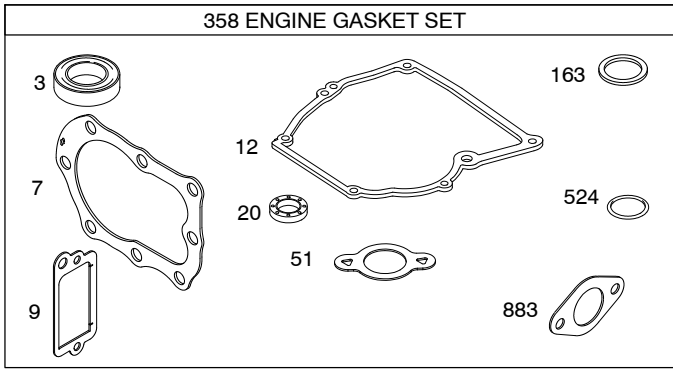
1330 REPAIR MANUAL



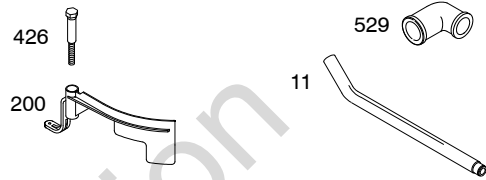
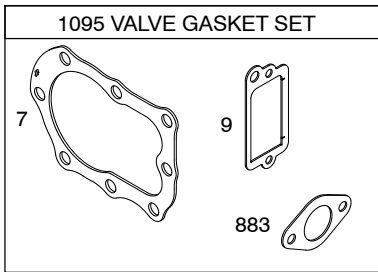
1319 WARNING LABEL

| | |
|---|--|
| WARNING | |
| | Read and follow Operating instructions before running engine. |
| | Gasoline is flammable. Allow engine to cool at least 2 minutes before refueling. |
| | Engines emit carbon monoxide, DO NOT run in enclosed area. |
| | Muffler area temperature may exceed 150°F. Do not touch hot parts. |
| REQUIRED when replacing parts with warning labels affixed. | |

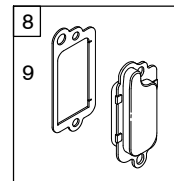
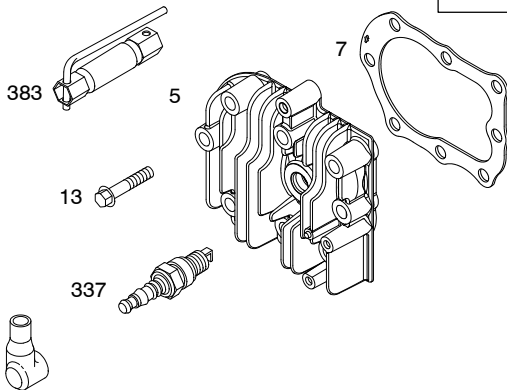
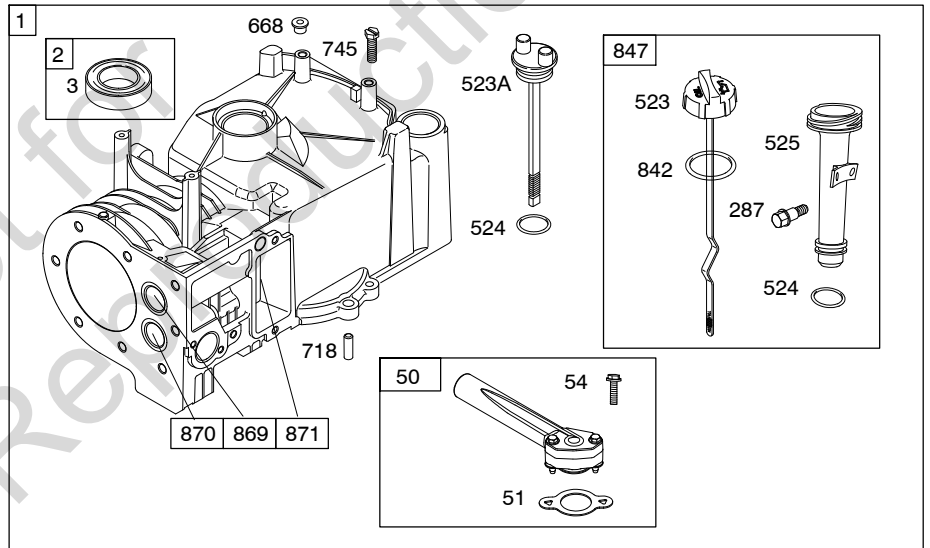
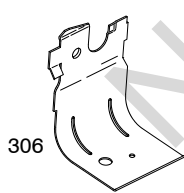
358 ENGINE GASKET SET



1095 VALVE GASKET SET

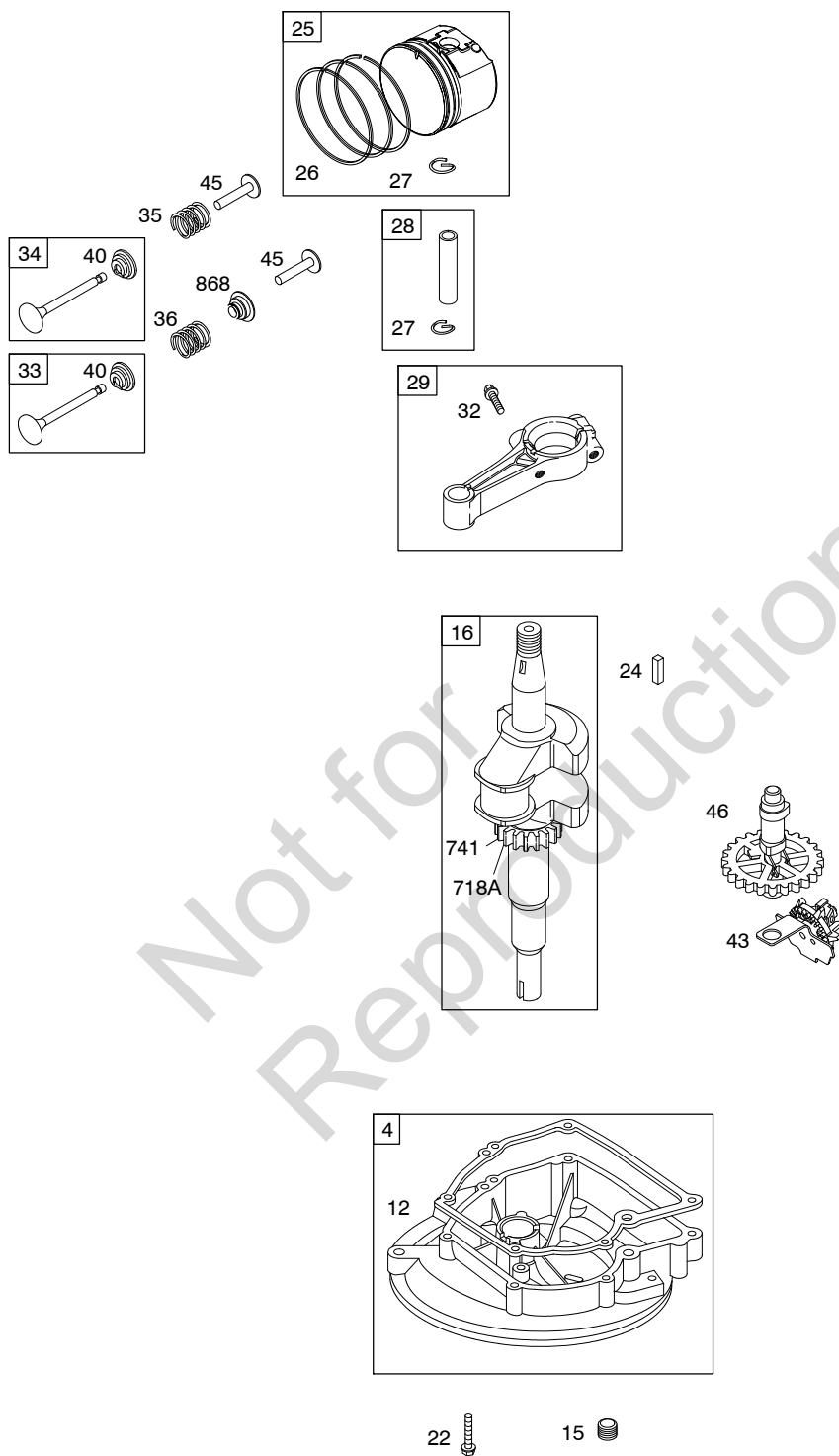


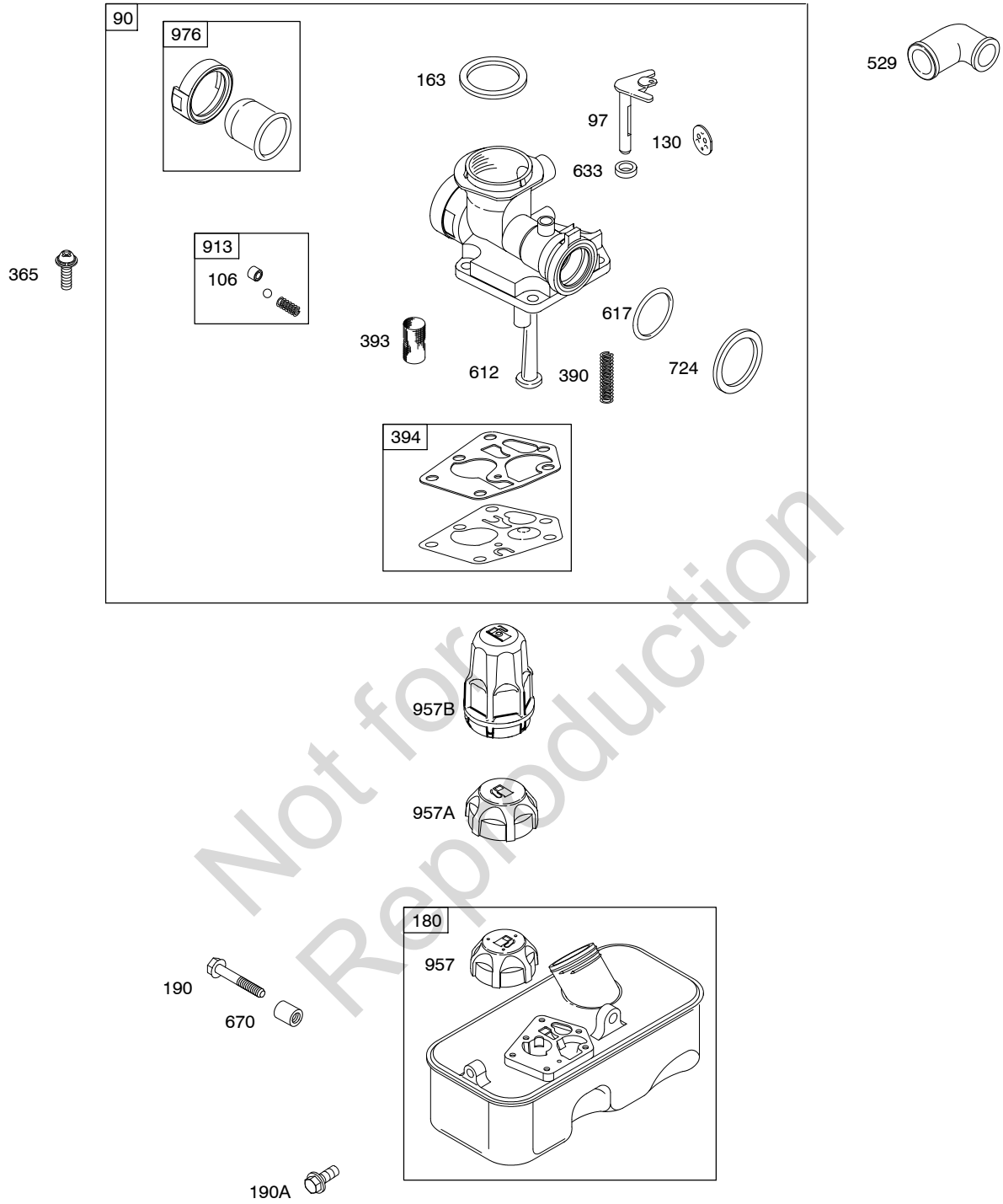
307

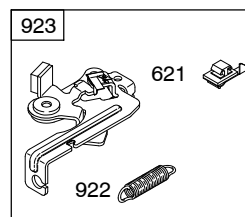
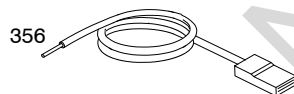
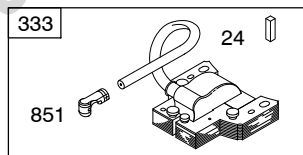
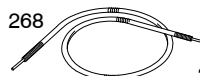
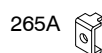
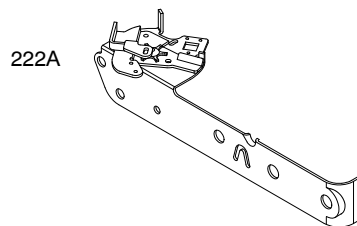
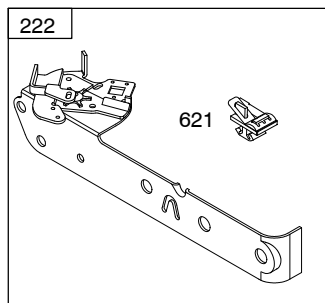
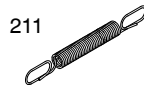


10

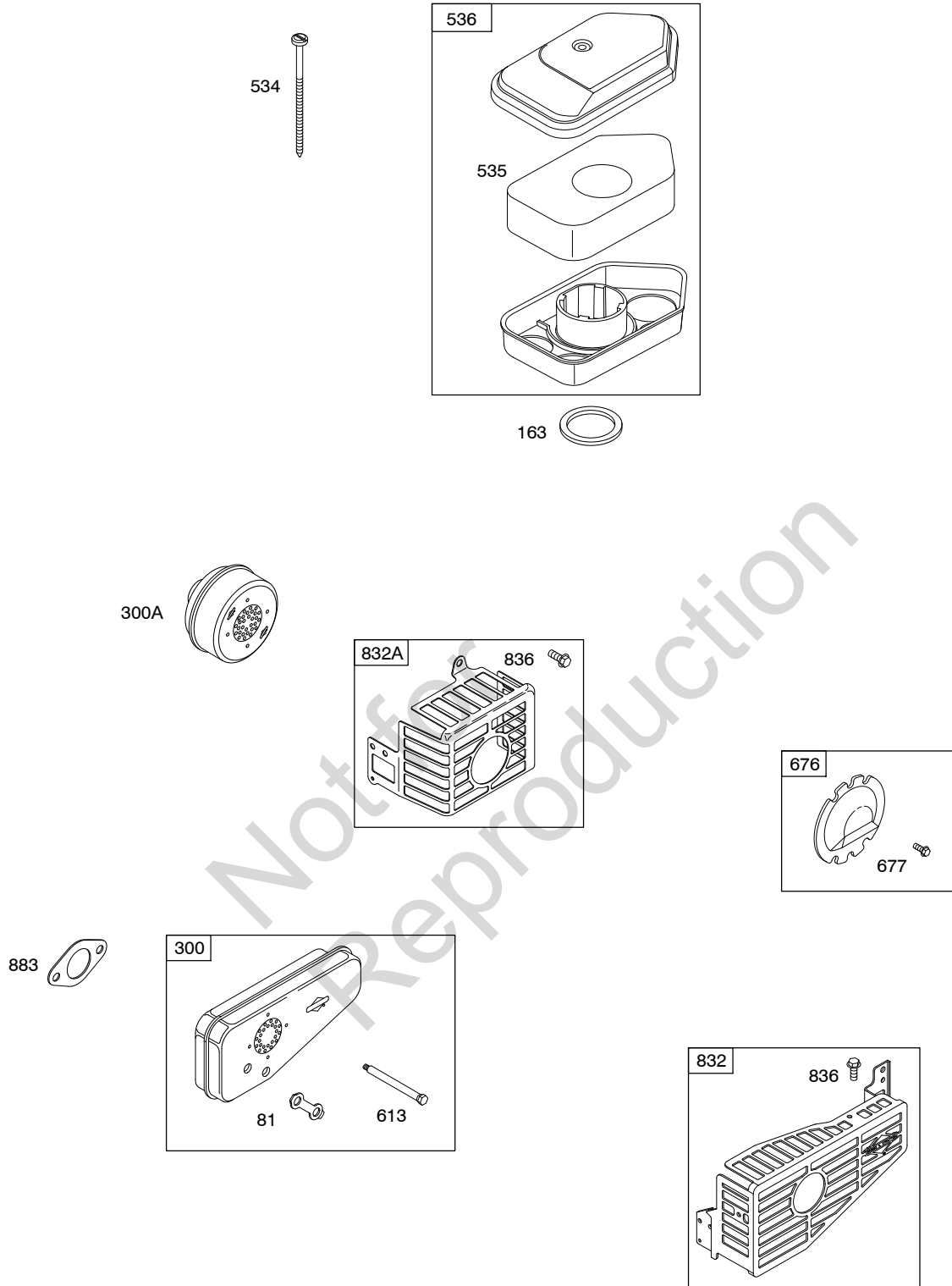
Illustrations cover a range of engines. Parts shown without corresponding text may not be used on your specific engine.
 5716-2 Assemblies include all parts shown in frames. 02/04/2009





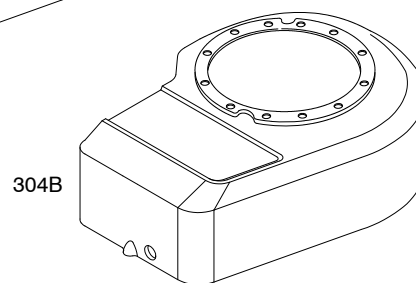
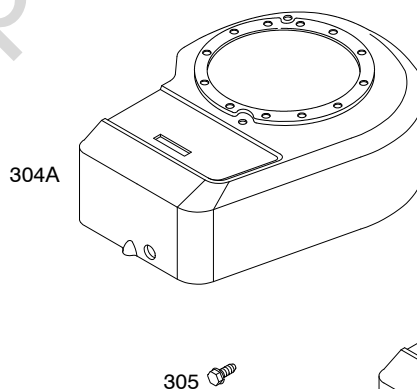
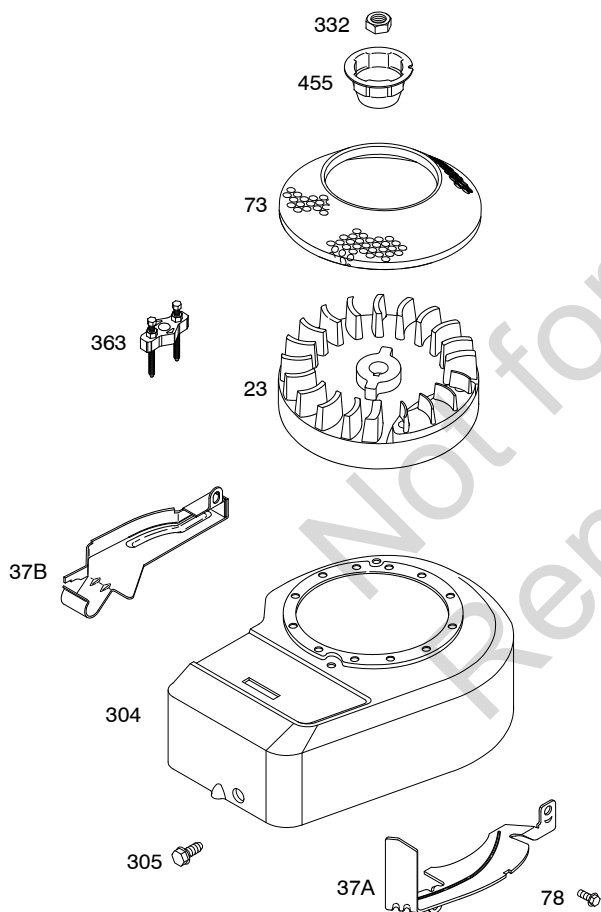
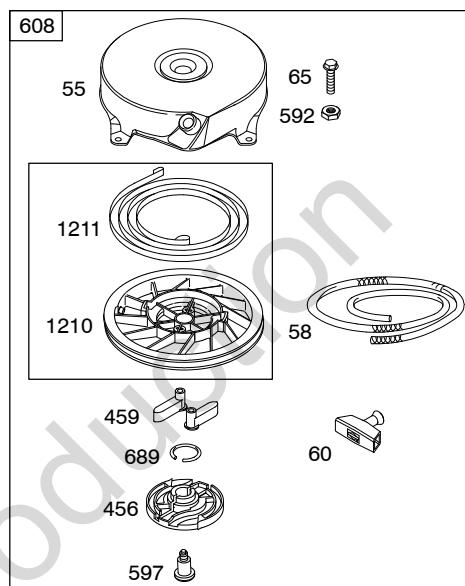
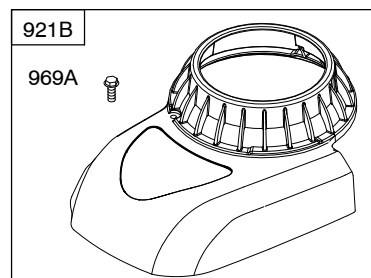
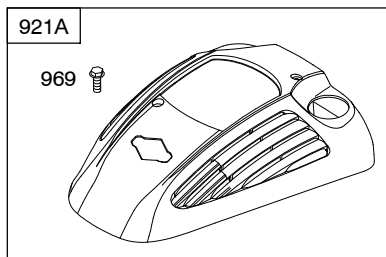
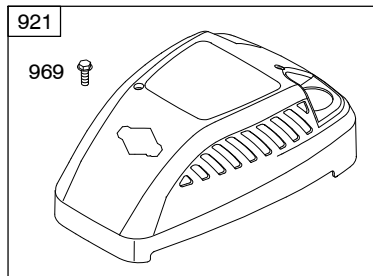


Illustrations cover a range of engines. Parts shown without corresponding text may not be used on your specific engine.
 5716-5 Assemblies include all parts shown in frames. 02/04/2009



Illustrations cover a range of engines. Parts shown without corresponding text may not be used on your specific engine.
5716-6 Assemblies include all parts shown in frames. 02/04/2009

1036 EMISSIONS LABEL



Illustrations cover a range of engines. Parts shown without corresponding text may not be used on your specific engine.
 5716-7 Assemblies include all parts shown in frames. 02/04/2009

10H900

| REF. NO. | PART NO. | DESCRIPTION | REF. NO. | PART NO. | DESCRIPTION | REF. NO. | PART NO. | DESCRIPTION |
|----------|----------|---|----------|----------|--|----------|----------|---|
| 1 | 699653 | Cylinder Assembly | 24 | 222698S | Key-Flywheel | 37A | 691209 | Guard-Flywheel (Muffler Side) |
| 2 | 399269 | Kit-Bushing/Seal (Magneto Side) | 25 | 790908 | Piston Assembly (Standard) (Used After Code Date 04111400). | 37B | 690482 | Guard-Flywheel (Carburetor Side) |
| 3 | 299819S | Seal-Oil (Magneto Side) | | | ----- Note ----- | 40 | 692194 | Retainer-Valve |
| 4 | 698691 | Sump-Engine | | | 699657 Piston Assembly (Standard) (Used Before Code Date 04111500). | 43 | 698690 | Slinger-Governor/Oil |
| 5 | 790169 | Head-Cylinder | | | | 45 | 691762 | Tappet-Valve |
| 7 | 698717 | Gasket-Cylinder Head | | | | 46 | 691998 | Camshaft |
| 8 | 791781 | Breather Assembly | | | | 50 | 699644 | Manifold-Intake |
| 9 | 695890 | Gasket-Breather | | | | 51 | 699649 | Gasket-Intake |
| 10 | 691666 | Screw (Breather Assembly) | | | | 54 | 691111 | Screw (Intake Manifold) |
| 11 | 691245 | Tube-Breather | | | 792532 Piston Assembly (.020" Oversize) (Used After Code Date 04111400). | 55 | 692144 | Housing-Rewind Starter |
| 12 | 692218 | Gasket-Crankcase (Standard) (.015" Thick) | | | | 58 | 697316 | Rope-Starter (88 5/8" Long) Used on Type No(s). 0101, 0116, 0117, 0120, 0121, 0216, 0246, 0285, 0327, 0333, 0437, 0455, 0522, 0632, 0641. |
| 13 | 691640 | Screw (Cylinder Head) | 26 | 795132 | Ring Set (Standard) (Used After Code Date 04111400). | | | ----- Note ----- |
| 15 | 691680 | Plug-Oil Drain | | | 699658 Ring Set (Standard) (Used Before Code Date 04111500). | | | 691921 Rope-Starter (70" Long) Used on Type No(s). 0111, 0113, 0114, 0115. |
| 16 | 692989 | Crankshaft Used on Type No(s). 0111, 0113, 0114, 0115, 0120, 0121, 0216, 0327. | | | 795134 Ring Set (.020" Oversize) (Used After Code Date 04111400). | 60 | 691915 | Grip-Starter Rope |
| | | ----- Note ----- | | | | 65 | 690837 | Screw (Rewind Starter) |
| | | 691472 Crankshaft Used on Type No(s). 0101, 0116, 0246, 0285, 0333, 0437, 0455, 0522, 0632, 0641. | 27 | 691588 | Lock-Piston Pin | 73 | 699850 | Screen-Rotating |
| | | 691471 Crankshaft Used on Type No(s). 0117. | 28 | 699659 | Pin-Piston (Standard) (Used After Code Date 03093000). | 78 | 692198 | Screw (Flywheel Guard) |
| 20 | 391483S | Seal-Oil (PTO Side) | | | ----- Note ----- | 81 | 691179 | Lock-Muffler Screw |
| 22 | 692551 | Screw (Crankcase Cover/Sump) | | | 298909 Pin-Piston (Standard) (Used Before Code Date 03100100). | 90 | 795469 | Carburetor |
| 23 | 795549 | Flywheel | | | | 97 | 691931 | Shaft-Throttle |
| | | ----- Note ----- | | | | 106 | 691901 | Seat-Inlet |
| | | 690843 Flywheel Used on Type No(s). 0111, 0115. | | | 298908 Pin-Piston (.005" Oversize) (Used Before Code Date 03100100). | 130 | 691190 | Valve-Throttle |
| | | 795695 Flywheel (Used After Code Date 08012900). | 29 | 699654 | Rod-Connecting | 163 | 271139S | Gasket-Air Cleaner |
| | | Used on Type No(s). 0113, 0114, 0121. | 32 | 691664 | Screw (Connecting Rod) | 180 | 494406 | Tank-Fuel |
| | | 690843 Flywheel (Used Before Code Date 08013000). | 33 | 296676 | Valve-Exhaust | 188 | 692198 | Screw (Control Bracket) |
| | | Used on Type No(s). 0113, 0114, 0121. | 34 | 296677 | Valve-Intake | 190 | 691640 | Screw (Fuel Tank) (1 3/4" Long) |
| | | | 35 | 690520 | Spring-Valve (Intake) | 190A | 691108 | Screw (Fuel Tank) (9/16" Long) |
| | | | 36 | 690520 | Spring-Valve (Exhaust) | 200 | 691912 | Blade-Governor |
| | | | | | | 201 | 690347 | Link-Air Vane |

Illustrations cover a range of engines. Parts shown without corresponding text may not be used on your specific engine.

10H900

| REF. NO. | PART NO. | DESCRIPTION | REF. NO. | PART NO. | DESCRIPTION | REF. NO. | PART NO. | DESCRIPTION |
|----------|----------|--|----------|----------|---|----------|----------|--|
| 535 | 698369 | Filter-Air Cleaner Foam | 745A | 690859 | Screw (Brake) (1/2" Long) | 925 | 691349 | Cover-Linkage Used on Type No(s). 0101, 0120, 0216, 0246, 0285, 0327, 0333, 0437, 0455, 0522, 0632, 0641. |
| 536 | 698472 | Cleaner-Air | 772 | 691111 | Screw (Linkage Cover) | 957 | 497929S | Cap-Fuel Tank Used on Type No(s). 0101, 0114, 0116, 0117, 0120, 0216, 0246, 0285, 0327, 0333, 0437, 0455, 0522, 0632, 0641. |
| 592 | 690800 | Nut (Rewind Starter) | 832 | 699299 | Guard-Muffler Used on Type No(s). 0114. | 957A | 791129 | Cap-Fuel Tank Used on Type No(s). 0111, 0113, 0114, 0115, 0121. |
| 597 | 691696 | Screw (Pawl Friction Plate) | 832A | 699670 | Guard-Muffler Used on Type No(s). 0111, 0113, 0115. | 957B | 792878 | Cap-Fuel Tank |
| 608 | 499706 | Starter-Rewind Used on Type No(s). 0101, 0116, 0117, 0120, 0121, 0216, 0246, 0285, 0327, 0333, 0437, 0455, 0522, 0632, 0641. | 836 | 690664 | Screw (Muffler Guard) | 969 | 694046 | Screw (Blower Housing Cover) (2 1/3" Long) Used on Type No(s). 0111, 0114, 0115, 0116, 0117. |
| | | ----- Note ----- 690101 Rope-Starter Used on Type No(s). 0111, 0113, 0114, 0115. | 842 | 691870 | Seal-O Ring (Dipstick Tube) | | | |
| 612 | 496046S | Tube-Pick Up | 847 | 691440 | Dipstick/Tube Assembly | | | |
| 613 | 691413 | Screw (Muffler) | 851 | 493880S | Terminal-Spark Plug | | | |
| 617 | 270344S | Seal-O Ring (Intake Manifold) | 868 | 697338 | Seal-Valve | | | |
| 621 | 692310 | Switch-Stop | 869 | 699641 | Seat-Valve (Intake) | | | |
| 633 | 691321 | Seal-Choke/Throttle Shaft (Throttle) | 870 | 699642 | Seat-Valve (Exhaust) | | | |
| 635 | 66538S | Boot-Spark Plug | 871 | 699643 | Bushing-Valve Guide (Exhaust) ----- Note ----- 63709 Bushing-Valve Guide (Intake) | 969A | 692523 | Screw (Blower Housing Cover) (2/3" Long) Used on Type No(s). 0101, 0121, 0216, 0246, 0285, 0327, 0333, 0437, 0455, 0522, 0632, 0641. |
| 668 | 692889 | Spacer | 883 | 691880 | Gasket-Exhaust | 976 | 694394 | Primer-Carburetor Label-Emissions (Available From A Briggs & Stratton Authorized Dealer) |
| 670 | 691633 | Spacer-Fuel Tank | 913 | 494409 | Seat-Check Valve | 1036 | | |
| 676 | 393756 | Deflector-Muffler Used on Type No(s). 0115. | 921 | 694044 | Cover-Blower Housing Used on Type No(s). 0114, 0115. | 1058 | 277038 | Operator's Manual |
| 677 | 690661 | Screw (Muffler Deflector) Used on Type No(s). 0115. | 921A | 793973 | Cover-Blower Housing Used on Type No(s). 0111, 0113, 0117. | 1095 | 498526 | Gasket Set-Valve |
| 689 | 691855 | Spring-Friction | 921B | 699796 | Cover-Blower Housing Used on Type No(s). 0101, 0121, 0216, 0246, 0285, 0327, 0333, 0437, 0455, 0522, 0632, 0641. | 1210 | 499901 | Pulley/Spring Assembly (Pulley) |
| 718 | 690959 | Pin-Locating (Cylinder) | 922 | 692135 | Spring-Brake | 1211 | 499901 | Pulley/Spring Assembly (Spring) |
| 718A | 499047 | Pin-Locating (Crankshaft) | 923 | 691487 | Brake Used on Type No(s). 0101, 0120, 0216, 0246, 0285, 0327, 0333, 0437, 0455, 0522, 0632, 0641. | 1319 | 794467 | Label-Warning |
| 724 | 697478 | Retainer-Seal | | | | 1330 | 270962 | Repair Manual |
| 729 | 690586 | Clip-Wire | | | | | | |
| 741 | 691805 | Gear-Timing | | | | | | |
| 745 | 691146 | Screw (Brake) (7/8" Long) | | | | | | |

Illustrations cover a range of engines. Parts shown without corresponding text may not be used on your specific engine.

Not for
Reproduction

Not for
Reproduction

