



Illustrated Parts List

Model Series

10L500

TYPE NUMBERS
0111 through 1485.

TABLE OF CONTENTS

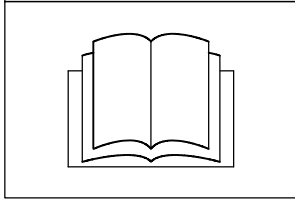
Air Cleaner	6
Blower Housing/Shrouds	7
Brake	5
Camshaft	3
Carburetor	4
Controls	5
Crankcase Cover/Sump	3
Crankshaft	3
Cylinder	2
Cylinder Head	2
Exhaust System	6
Flywheel	7
Fuel Supply	4
Gasket Set - Engine	2
Gasket Set - Valve	2
Governor Spring	5
Ignition	5
Lubrication	2
Operator's Manual	2
Piston/Rings/Connecting Rod	3
Rewind Starter	7
Warning Label	2



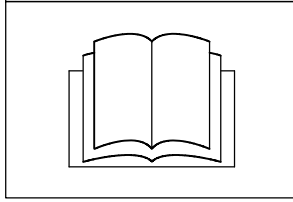
PRINTED IN U.S.A.

COPYRIGHT by BRIGGS & STRATTON CORPORATION
All rights reserved. No part of this material may be reproduced or transmitted, in any form or by any means, electronic or mechanical, including photocopying, recording or by any information storage and retrieval system, without permission in writing from Briggs & Stratton Corporation.

1058 OPERATOR'S MANUAL



1330 REPAIR MANUAL

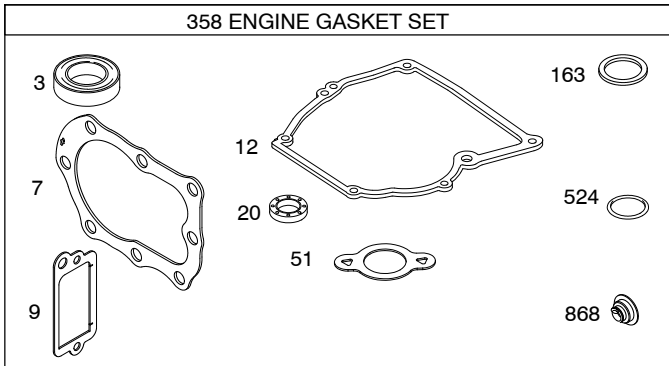


1319 WARNING LABEL

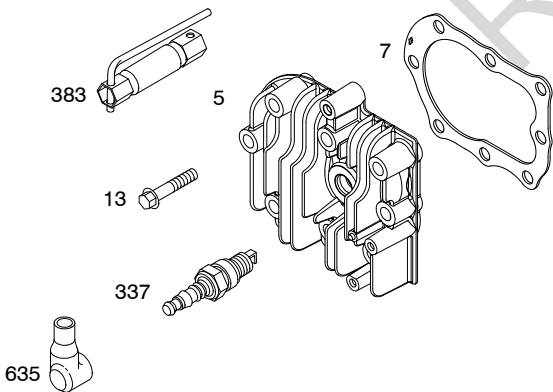
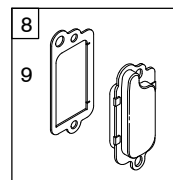
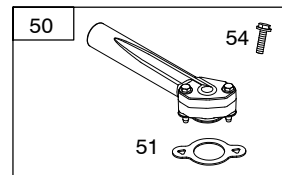
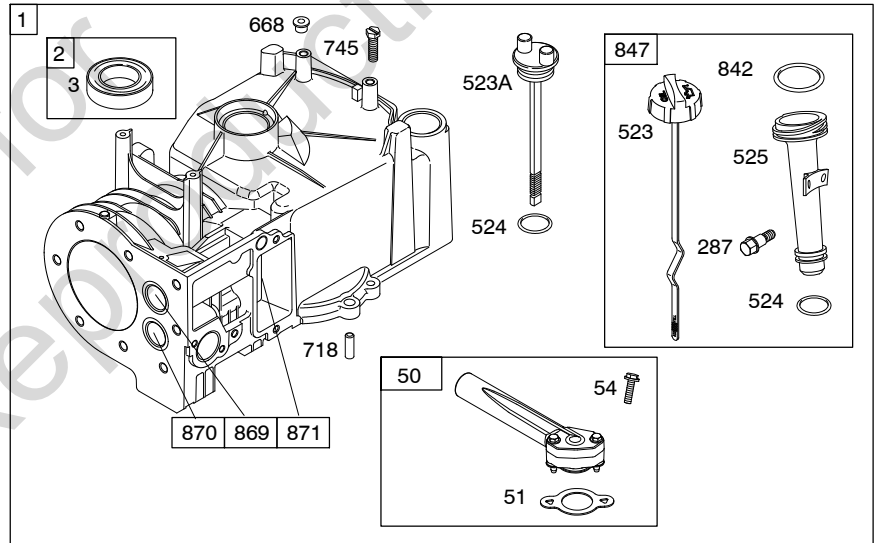
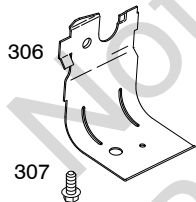
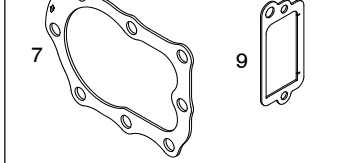
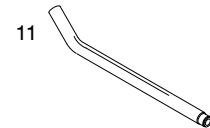
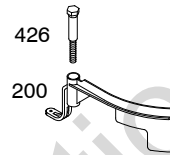
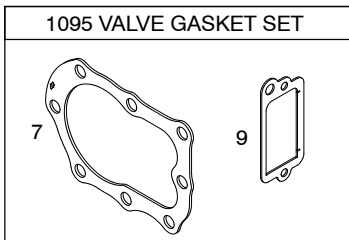
WARNING	
	Read and follow Operating instructions before running engine.
	Gasoline is flammable. Allow engine to cool at least 2 minutes before refueling.
	Engines emit carbon monoxide, DO NOT run in enclosed area.
	Muffler area temperature may exceed 150°F. Do not touch hot parts.

REQUIRED when replacing parts with warning labels affixed.

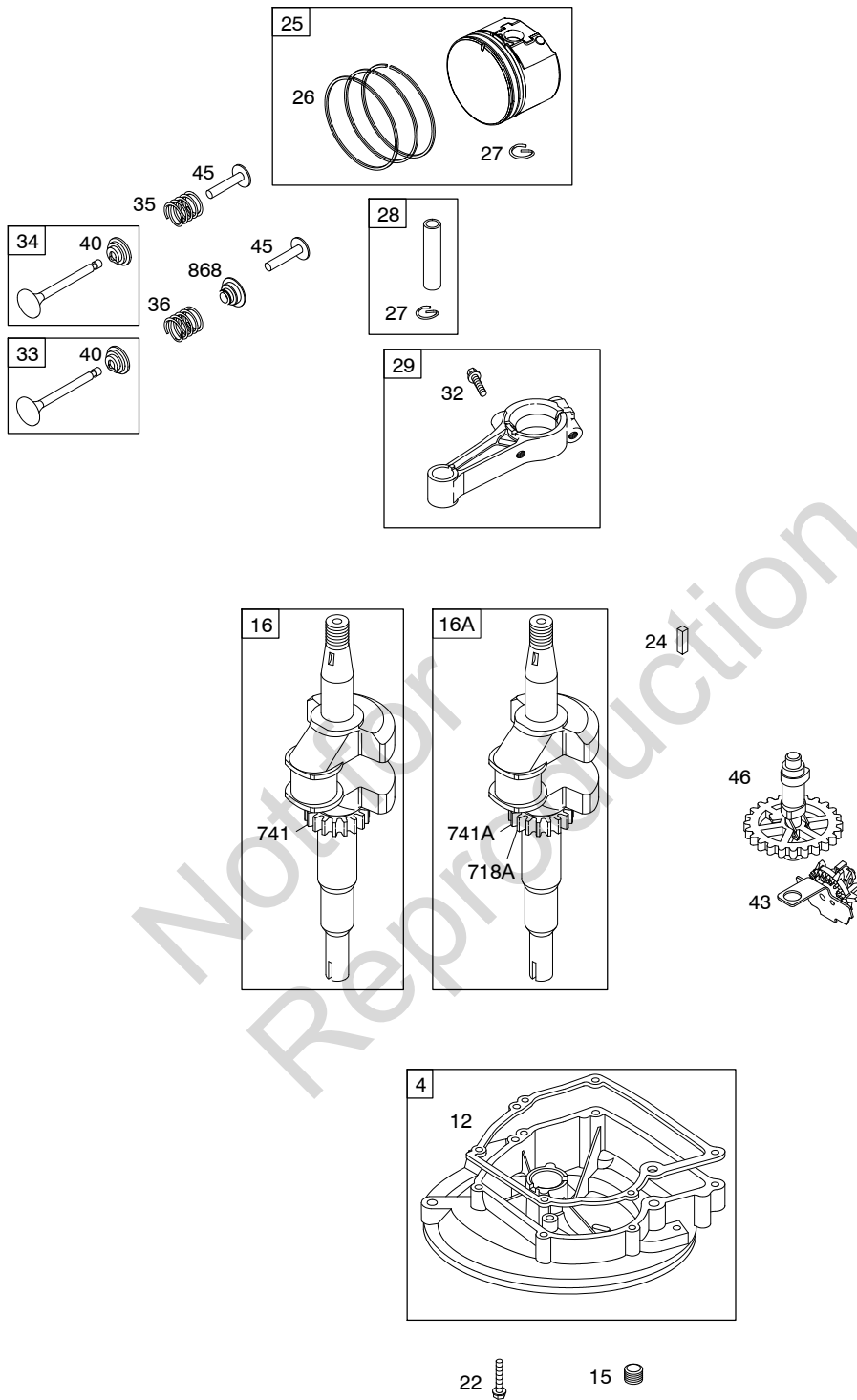
358 ENGINE GASKET SET



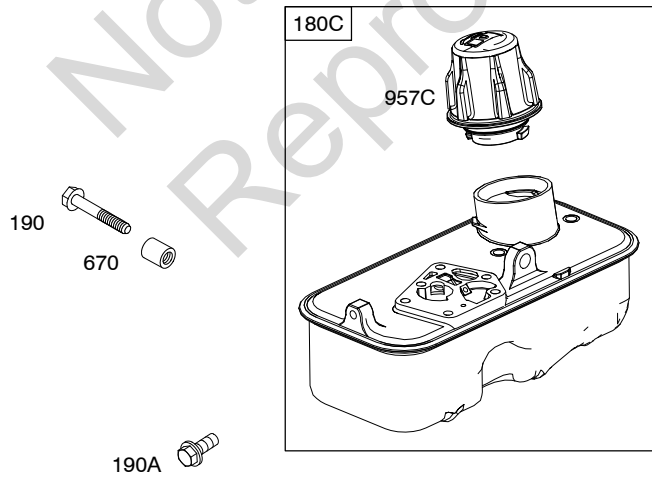
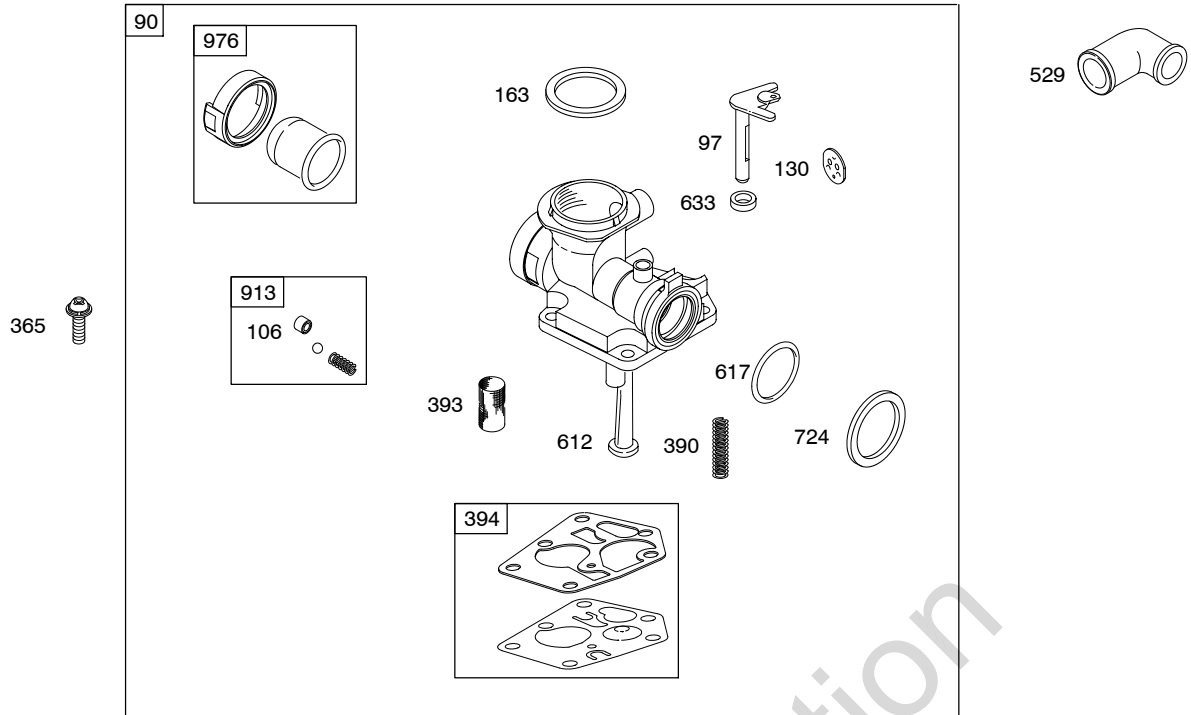
1095 VALVE GASKET SET

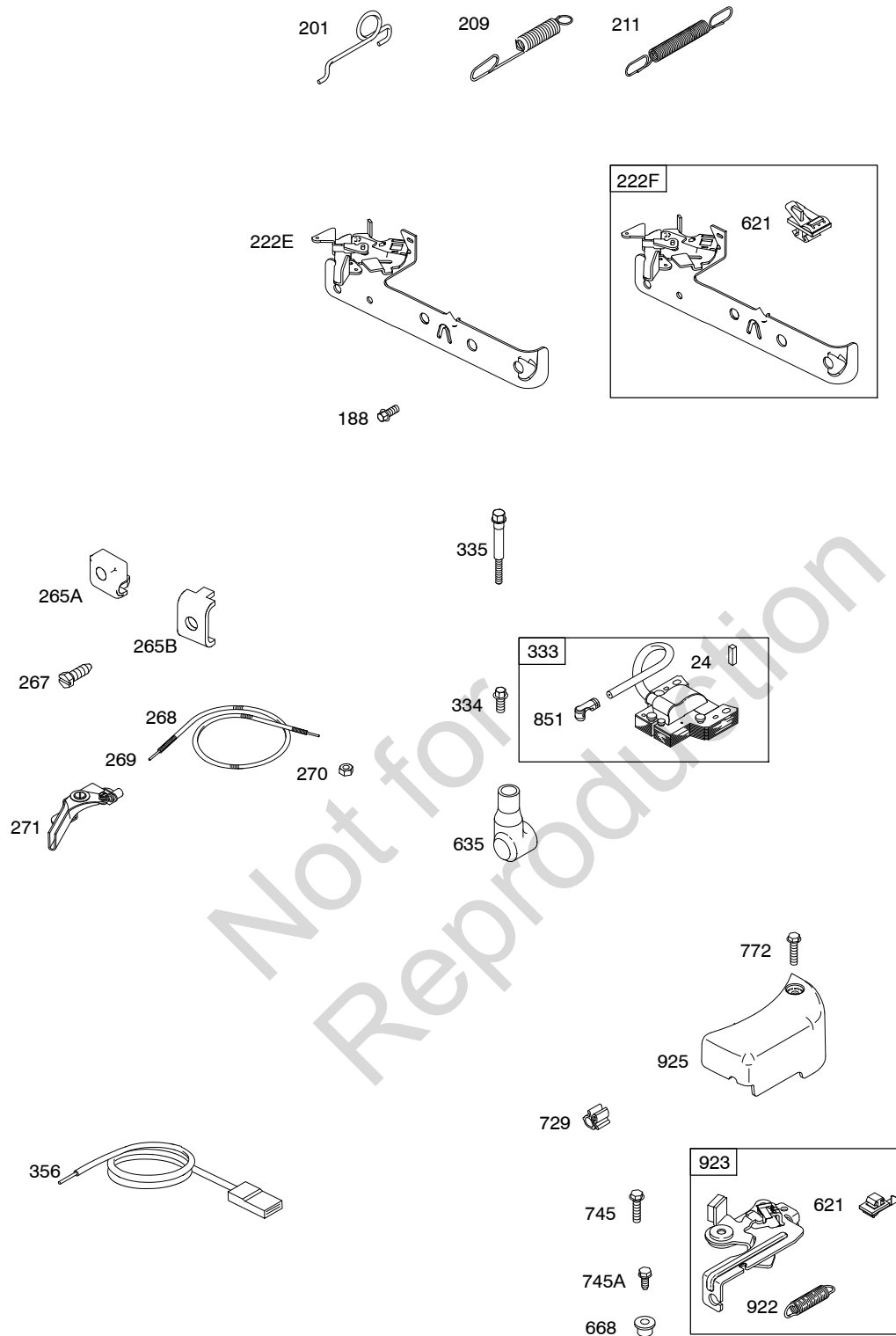


Illustrations cover a range of engines. Parts shown without corresponding text may not be used on your specific engine.
 4095-2 Assemblies include all parts shown in frames. 10/12/2010

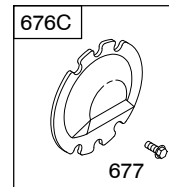
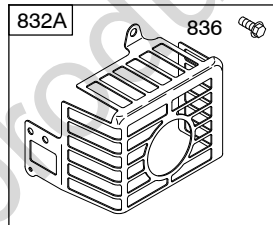
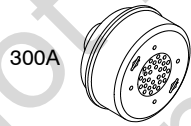
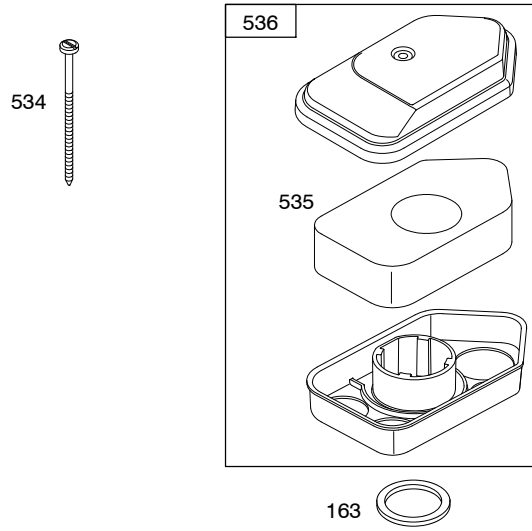


Illustrations cover a range of engines. Parts shown without corresponding text may not be used on your specific engine.
 4095-3 Assemblies include all parts shown in frames. 10/12/2010

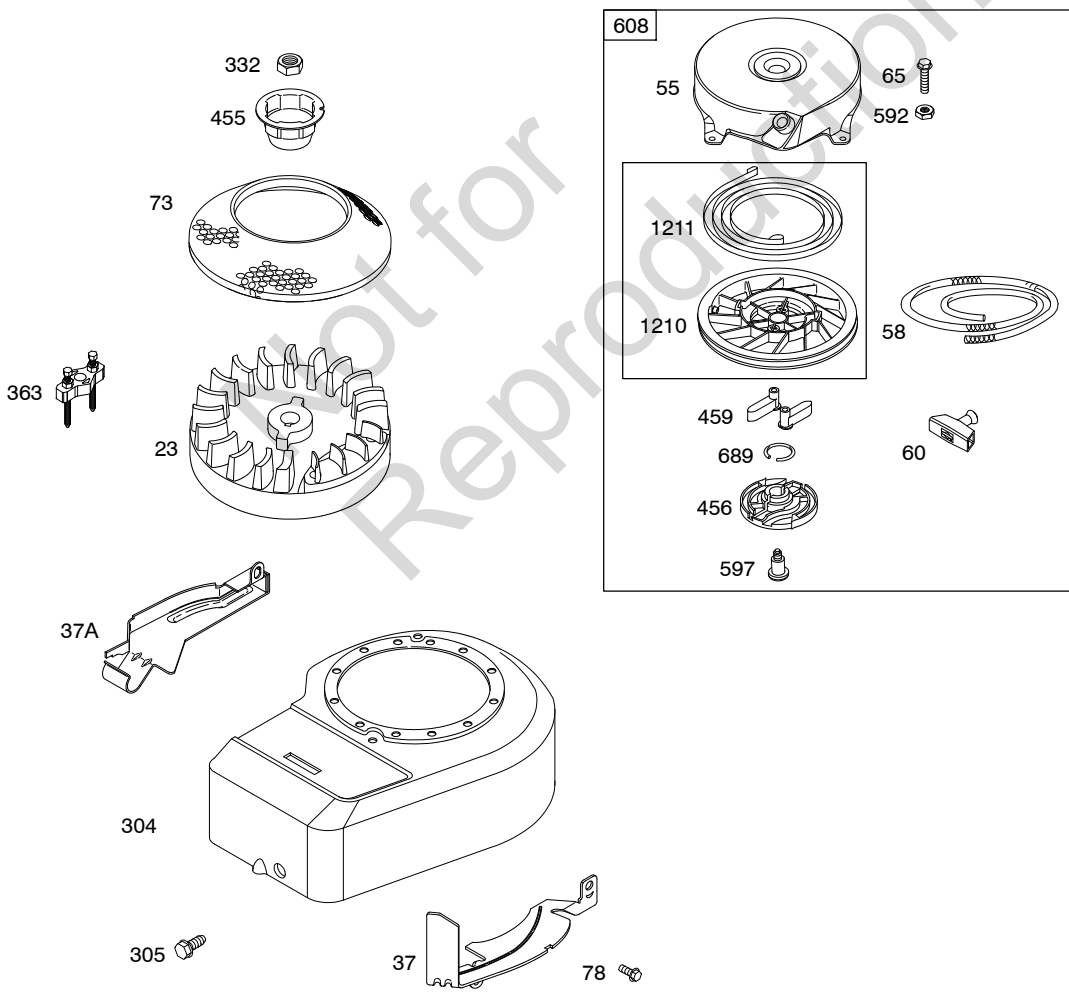
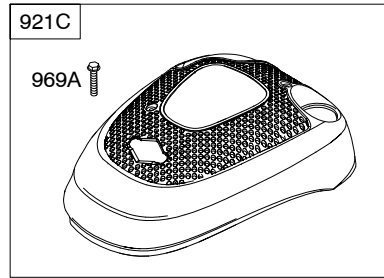
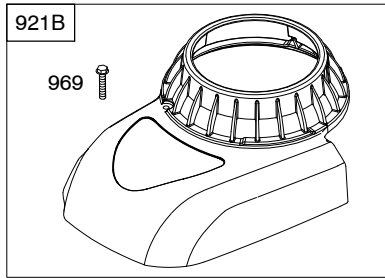




Illustrations cover a range of engines. Parts shown without corresponding text may not be used on your specific engine.
 4095-5 Assemblies include all parts shown in frames. 10/12/2010



1036 EMISSIONS LABEL



4095-7 **Illustrations cover a range of engines. Parts shown without corresponding text may not be used on your specific engine.** **Assemblies include all parts shown in frames.** 10/12/2010

10L500

REF. NO.	PART NO.	DESCRIPTION	REF. NO.	PART NO.	DESCRIPTION	REF. NO.	PART NO.	DESCRIPTION
1	699653	Cylinder Assembly	20	391483S	Seal-Oil (PTO Side)	58	697316	Rope-Starter (88 5/8" Long)
2	796961	Kit-Bushing/Seal (Magneto Side)	22	692551	Screw (Crankcase Cover/Sump)			Used on Type No(s). 0115, 0457, 0495, 0501, 0573, 0583, 0772, 1011, 1016 1427, 1485.
3	299819S	Seal-Oil (Magneto Side)	23	795549	Flywheel			----- Note ----- 691921 Rope-Starter (70" Long)
4	798264	Sump-Engine			----- Note ----- 795695 Flywheel			Used on Type No(s). 0111, 0112, 0115.
5	790169	Head-Cylinder	24	222698S	Key-Flywheel			Used on Type No(s). 0111, 0112.
7	698717	Gasket-Cylinder Head	25	795691	Piston Assembly (Standard)	60	691915	Grip-Starter Rope
8	791781	Breather Assembly			----- Note ----- 795689 Piston	65	690837	Screw (Rewind Starter)
9	695890	Gasket-Breather			Assembly (.020" Oversize)	73	699850	Screen-Rotating
10	691666	Screw (Breather Assembly)	26	795690	Ring Set (Standard)	78	692198	Screw (Flywheel Guard)
11	691245	Tube-Breather			----- Note ----- 795688 Ring Set	90	795477	Carburetor
12	692218	Gasket-Crankcase (.015" Thick) (Standard)	27	691588	Lock-Piston Pin	97	691931	Shaft-Throttle
		----- Note ----- 270895 Gasket-Crankcase (.005" Thick)	28	699659	Pin-Piston (Standard)	106	691901	Seat-Inlet
		270896 Gasket-Crankcase (.009" Thick)	29	699654	Rod-Connecting	130	794060	Valve-Throttle
13	691640	Screw (Cylinder Head)	32	691664	Screw (Connecting Rod)	163	271139S	Gasket-Air Cleaner
15	691680	Plug-Oil Drain	33	296676	Valve-Exhaust	180C	795473	Tank-Fuel
16	796218	Crankshaft (Used After Code Date 08071300). Used on Type No(s). 0111, 0112.	34	296677	Valve-Intake	188	692198	Screw (Control Bracket)
		----- Note ----- 796218 Crankshaft Used on Type No(s). 0501.	35	690520	Spring-Valve (Intake)	190	691640	Screw (Fuel Tank) (1 3/4" Long)
		796217 Crankshaft Used on Type No(s). 0457, 0495, 0573, 0583, 0772, 1011, 1016, 1427.	36	690520	Spring-Valve (Exhaust)	190A	691108	Screw (Fuel Tank) (9/16" Long)
		796216 Crankshaft Used on Type No(s). 0115, 1485.	37	691209	Guard-Flywheel (Muffler Side)	200	691912	Blade-Governor
16A	692989	Crankshaft (Used Before Code Date 08071400). Used on Type No(s). 0111, 0112.	37A	690482	Guard-Flywheel (Carburetor Side)	201	690347	Link-Air Vane
			40	692194	Retainer-Valve	209	691297	Spring-Governor Used on Type No(s). 0115, 0457, 0495, 0501, 0573, 0583.
			43	698690	Slinger-Governor/Oil			----- Note ----- 690251 Spring-Governor Used on Type No(s). 0772, 1011, 1016, 1427, 1485.
			45	691762	Tappet-Valve			691862 Spring-Governor Used on Type No(s). 0111, 0112.
			46	691998	Camshaft	211	691859	Spring-Governed Idle
			50	699644	Manifold-Intake			
			51	699649	Gasket-Intake			
			54	691111	Screw (Intake Manifold)			
			55	692144	Housing-Rewind Starter			

Illustrations cover a range of engines. Parts shown without corresponding text may not be used on your specific engine.
4095-8 Assemblies include all parts shown in frames. 10/12/2010

REF. NO.	PART NO.	DESCRIPTION	REF. NO.	PART NO.	DESCRIPTION	REF. NO.	PART NO.	DESCRIPTION
222E	691446	Bracket-Control Used on Type No(s). 0457, 0495, 0501, 0573, 0583, 0772, 1011, 1016, 1427, 1485.	305	692198	Screw (Blower Housing)	608	499706	Starter-Rewind (88 5/8" Rope) Used on Type No(s). 0115, 0457, 0495, 0501, 0573, 0583, 0772, 1011, 1016, 1427, 1485.
222F	691445	Bracket-Control Used on Type No(s). 0111, 0112, 0115.	306	690400	Shield-Cylinder	----- Note -----		
265A	690798	Clamp-Casing Used on Type No(s). 0115.	307	690345	Screw (Cylinder Shield)	690101		Starter-Rope (70" Rope) Used on Type No(s). 0111, 0112.
265B	691024	Clamp-Casing	332	690662	Nut (Flywheel)	612	496046S	Tube-Pick Up
267	691044	Screw (Casing Clamp)	333	793281	Armature-Magneto	617	270344S	Seal-O Ring (Intake Manifold)
268	691025	Casing-Control Wire (Cut To Required Length)	334	691061	Screw (Magneto Armature) (1" Long)	621	692310	Switch-Stop
269	691026	Wire-Control (Cut To Required Length)	335	691107	Screw (Magneto Armature With Air Vane) (1 15/16" Long)	633	691321	Seal-Choke/Throttle Shaft (Throttle)
270	691027	Nut (Control Wire Casing)	337	796112S	Plug-Spark	635	66538S	Boot-Spark Plug
271	691028	Lever-Control	356	692390	Wire-Stop	668	692889	Spacer
287	691002	Screw (Dipstick Tube)	358	794209	Gasket Set-Engine	670	691633	Spacer-Fuel Tank
300A	394569S	Muffler (Round Lo Tone) Used on Type No(s). 0111, 0112, 0115, 0457, 0495, 0501, 0573, 0583, 0772, 1011, 1016, 1427, 1485.	363	19069	Puller-Flywheel	676C	393756	Deflector-Muffler Used on Type No(s). 0115.
			365	790029	Screw (Carburetor)	677	690661	Screw (Muffler Deflector) Used on Type No(s). 0115.
			383	89838S	Wrench-Spark Plug	689	691855	Spring-Friction
			390	691839	Spring-Choke Diaphragm	718	690959	Pin-Locating (Cylinder)
			393	691837	Screen-Carburetor	718A	499047	Pin-Locating (Crankshaft) (Used Before Code Date 08071400).
			394	795478	Diaphragm-Carburetor	724	697478	Retainer-Seal
			426	691107	Screw (Governor Blade)	729	690586	Clip-Wire
			455	691236	Cup-Flywheel	741	796210	Gear-Timing (Used After Code Date 08071300).
			456	692299	Plate-Pawl Friction	741A	691805	Gear-Timing (Used Before Code Date 08071400).
			459	281505S	Pawl-Ratchet	745	691146	Screw (Brake) (7/8" Long)
			523	692040	Dipstick Used on Type No(s). 0111, 0112, 0495, 0583, 0772, 1011, 1016, 1427, 1485.	745A	690859	Screw (Brake) (1/2" Long)
			523A	691913	Dipstick Used on Type No(s). 0115, 0457, 0501, 0573.	772	691111	Screw (Linkage Cover)
		----- Note ----- 694051 Housing- Blower (Non Compliance Engines) Used on Type No(s). 0111, 0112.	524	691876	Seal-Dipstick Tube			
		790297 Housing- Blower (Non Compliance Engines) Used on Type No(s). 0115.	525	691320	Tube-Dipstick			
			529	692189	Grommet			
			534	691417	Screw (Air Cleaner)			
			535	698369	Filter-Air Cleaner Foam			
			536	698472	Cleaner-Air			
			592	690800	Nut (Rewind Starter)			
			597	691696	Screw (Pawl Friction Plate)			

Illustrations cover a range of engines. Parts shown without corresponding text may not be used on your specific engine.
4095-9 **Assemblies include all parts shown in frames.** **10/12/2010**

10L500

REF. NO.	PART NO.	DESCRIPTION	REF. NO.	PART NO.	DESCRIPTION	REF. NO.	PART NO.	DESCRIPTION
832A	699670	Guard-Muffler (Round Lo Tone) Used on Type No(s). 0111, 0112.	921C	792273	Cover-Blower Housing Used on Type No(s). 0495, 0583, 0772.	969A	799014	Screw (Blower Housing Cover) (Used After Code Date 10061300)
836	690664	Screw (Muffler Guard) (13/32" Long) Used on Type No(s). 0111, 0112.	922	692135	Spring-Brake			Used on Type No(s). 0495, 0583, 0772.
842	691870	Seal-O Ring (Dipstick Tube)	923	691487	Brake Used on Type No(s). 0457, 0495, 0501, 0573, 0583, 0772, 1011, 1016, 1427, 1485.			----- Note ----- 694046 Screw (Blower Housing Cover) (Used Before Code Date 10061400)
847	691440	Dipstick/Tube Assembly	925	691349	Cover-Linkage Used on Type No(s). 0457, 0501, 0573, 1011, 1016, 1427, 1485.			Used on Type No(s). 0495, 0583, 0772.
851	493880S	Terminal-Spark Plug						Used on Type No(s). 0495, 0583, 0772.
868	697338	Seal-Valve	957C	795472	Cap-Fuel Tank	976	694394	Primer-Carburetor
869	699641	Seat-Valve (Intake)	969	790013	Screw (Blower Housing Cover) Used on Type No(s). 0115, 0457, 0501, 0573, 1011, 1016, 1427, 1485.	1036		Label-Emissions (Available From A Briggs & Stratton Authorized Dealer)
870	699642	Seat-Valve (Exhaust)				1058	277038	Operator's Manual
871	699643	Bushing-Valve Guide (Exhaust) ----- Note ----- 63709 Bushing-Valve Guide (Intake)				1095	498526	Gasket Set-Valve
913	494409	Seat-Check Valve				1210	499901	Pulley/Spring Assembly (Pulley)
921B	699796	Cover-Blower Housing Used on Type No(s). 0115, 0457, 0501, 0573, 1011, 1016, 1427, 1485.				1211	499901	Pulley/Spring Assembly (Spring)
						1319	794467	Label-Warning
						1330	270962	Repair Manual

Illustrations cover a range of engines. Parts shown without corresponding text may not be used on your specific engine.
4095-10 Assemblies include all parts shown in frames. 10/12/2010

Not for
Reproduction

Not for
Reproduction

