



Illustrated Parts List

Model Series

120600

TYPE NUMBERS
0100 through 0200.

TABLE OF CONTENTS

Air Cleaner	6
Blower Housing/Shrouds	7
Camshaft	2
Carburetor	4
Controls	5
Crankshaft	2
Cylinder	2
Cylinder Head	3
Electric Starter	7
Engine Sump	2
Exhaust System	6
Flywheel	7
Flywheel Brake	5
Fuel Supply	4
Governor Spring	5
Ignition	5
Kits/Gaskets Sets	8
Lubrication	2
Piston Group	2
Rewind Starter	7

Not for production

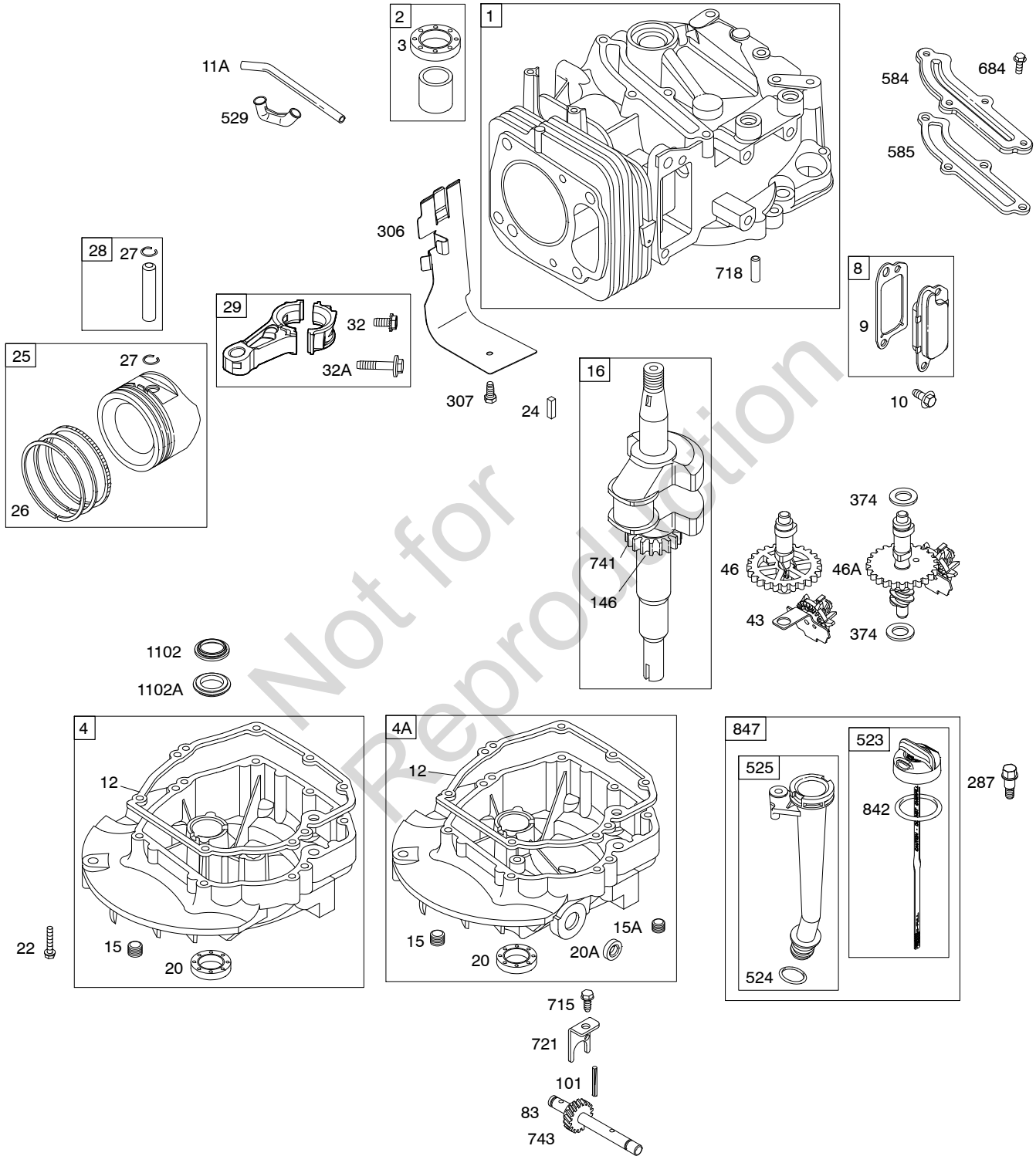


PRINTED IN U.S.A.

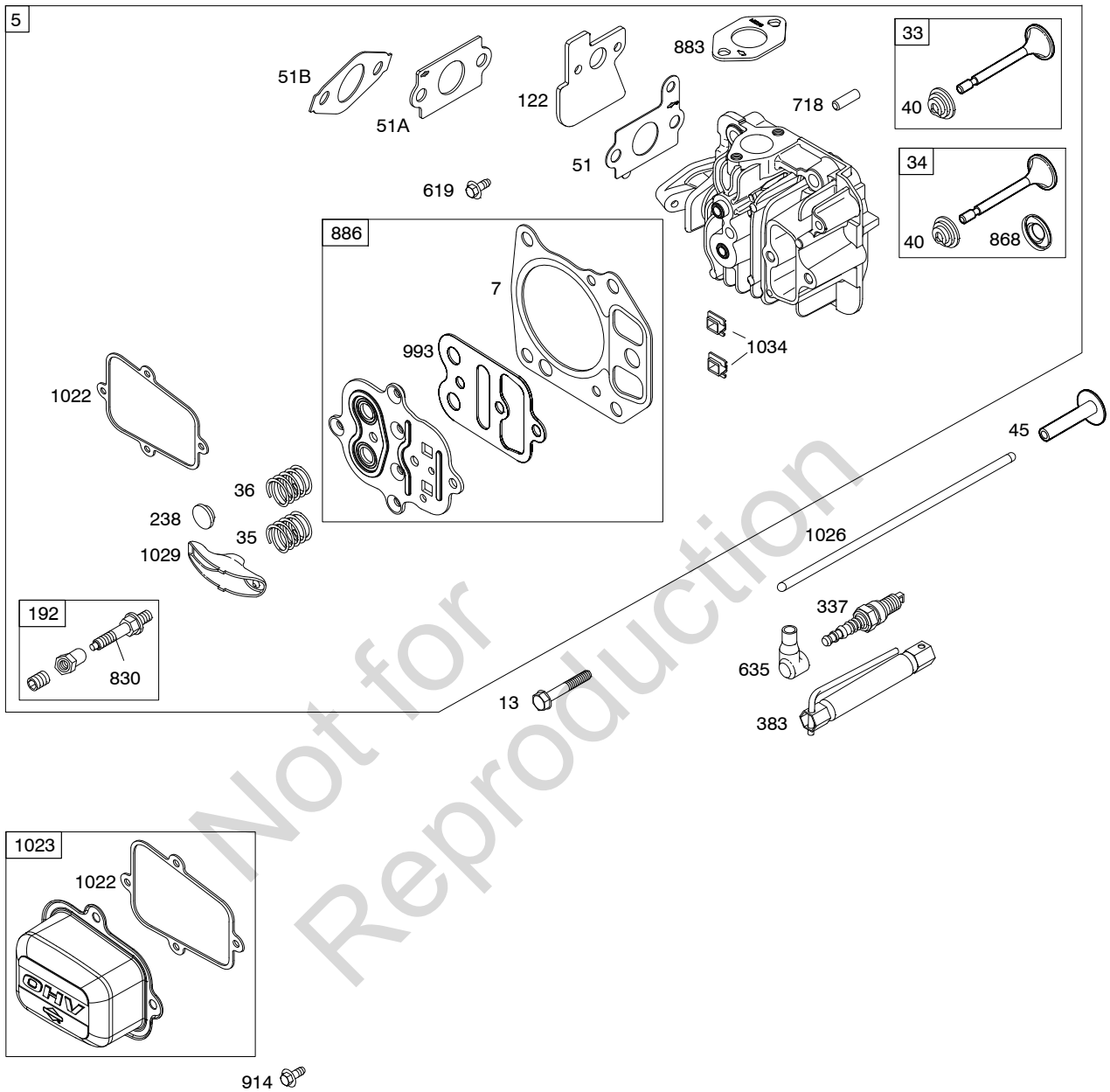
COPYRIGHT by BRIGGS & STRATTON CORPORATION
All rights reserved. No part of this material may be reproduced or transmitted, in any form or by any means, electronic or mechanical, including photocopying, recording or by any information storage and retrieval system, without permission in writing from Briggs & Stratton Corporation.



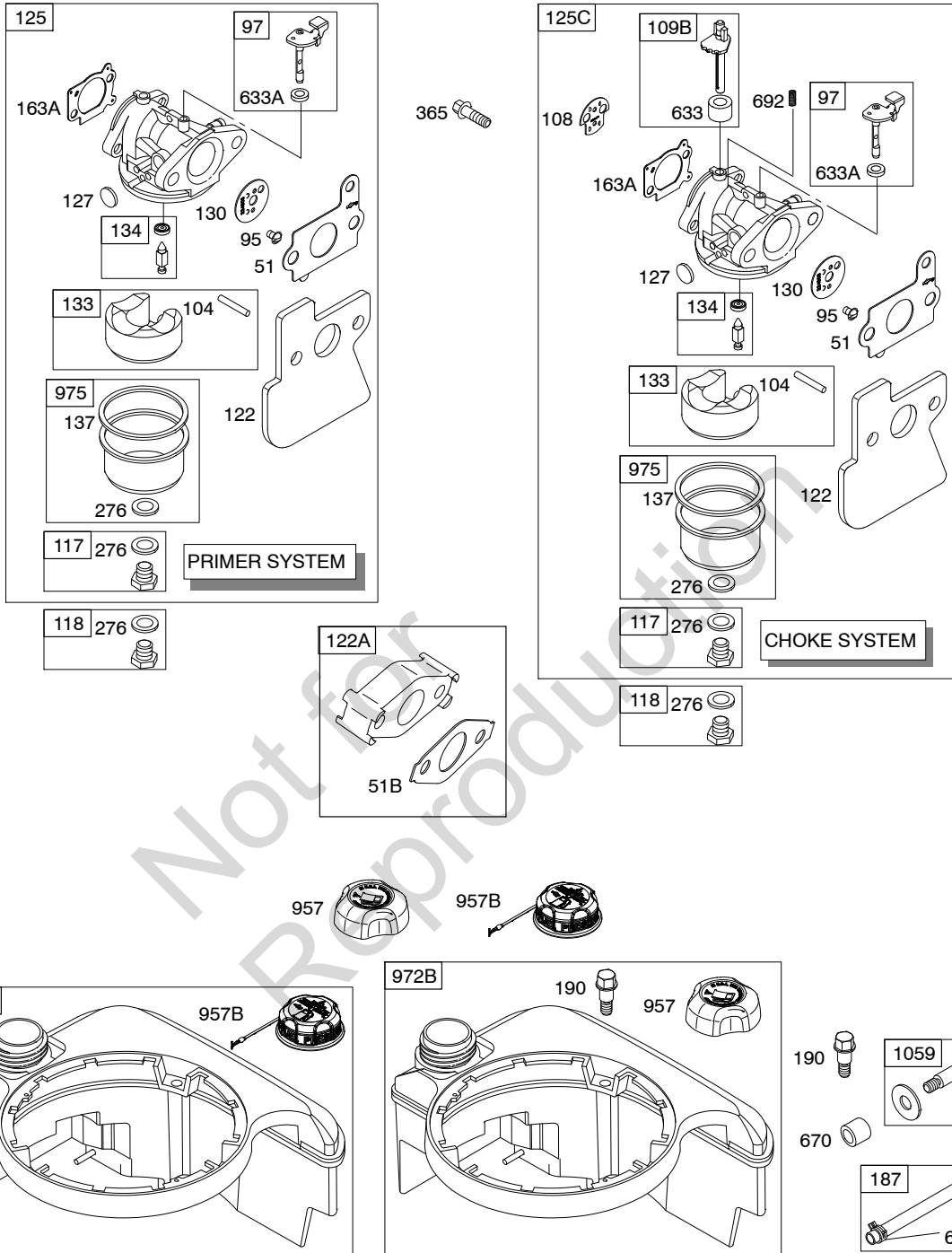
1019 LABEL KIT



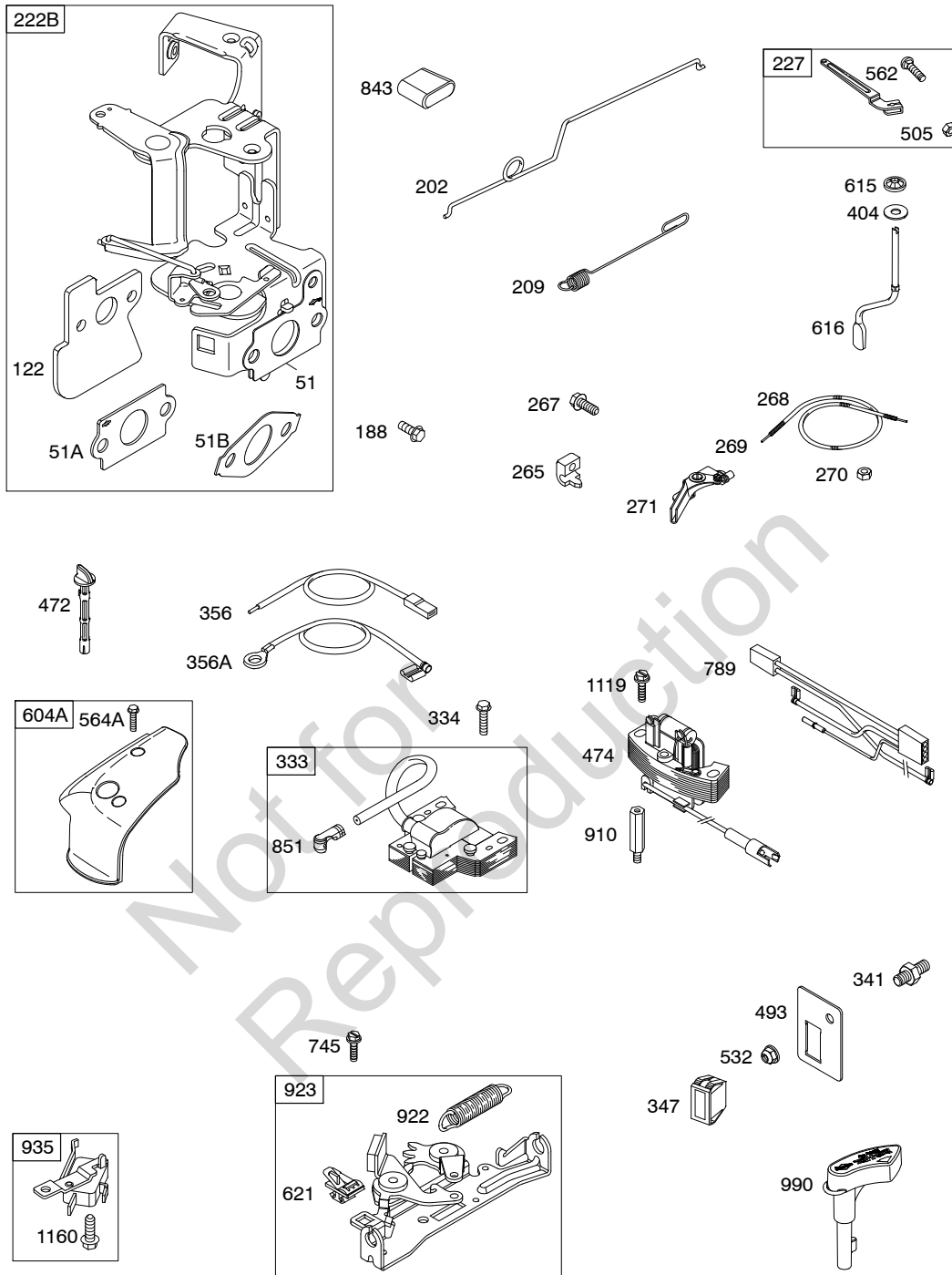
Illustrations cover a range of engines. Parts shown without corresponding text may not be used on your specific engine.
 6134-2 Assemblies include all parts shown in frames. 11/11/2008



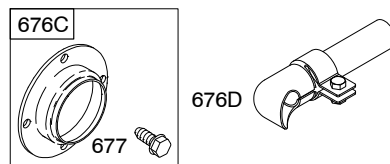
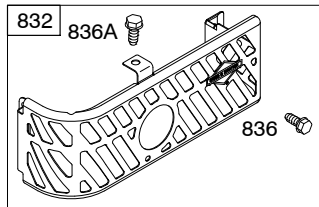
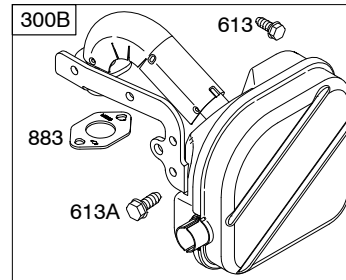
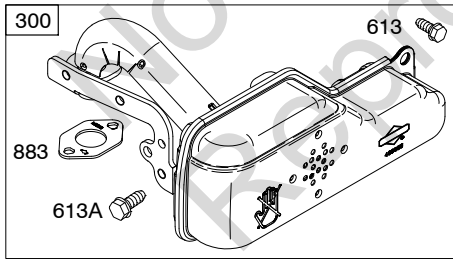
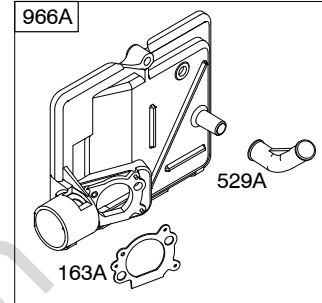
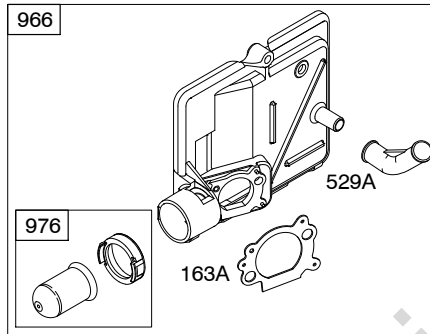
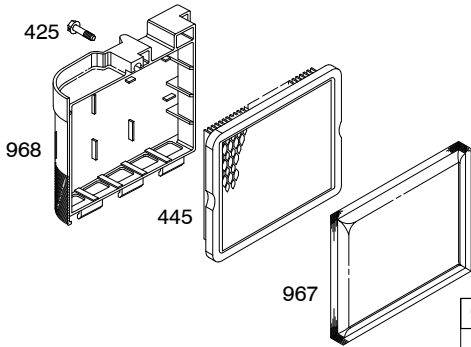
Illustrations cover a range of engines. Parts shown without corresponding text may not be used on your specific engine.
 6134-3 Assemblies include all parts shown in frames. 11/11/2008



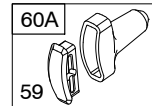
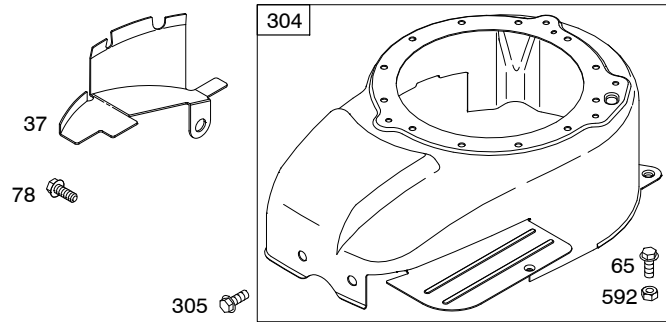
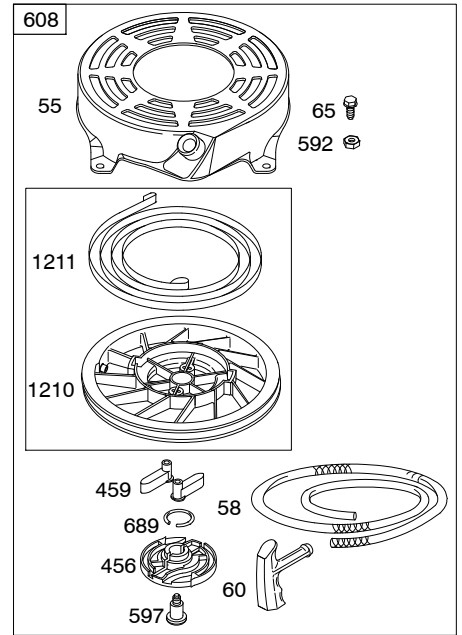
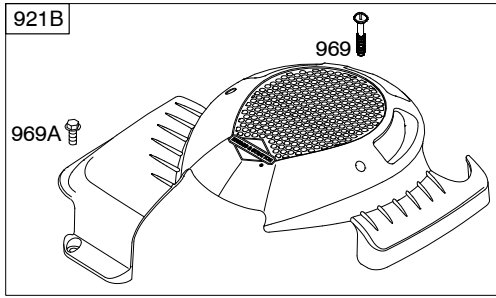
Illustrations cover a range of engines. Parts shown without corresponding text may not be used on your specific engine.
 6134-4 Assemblies include all parts shown in frames. 11/11/2008



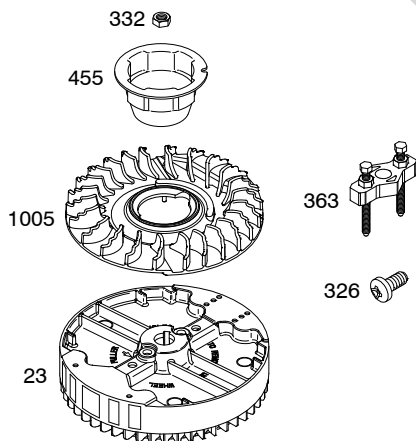
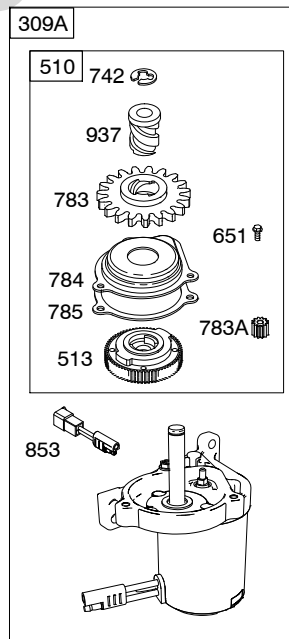
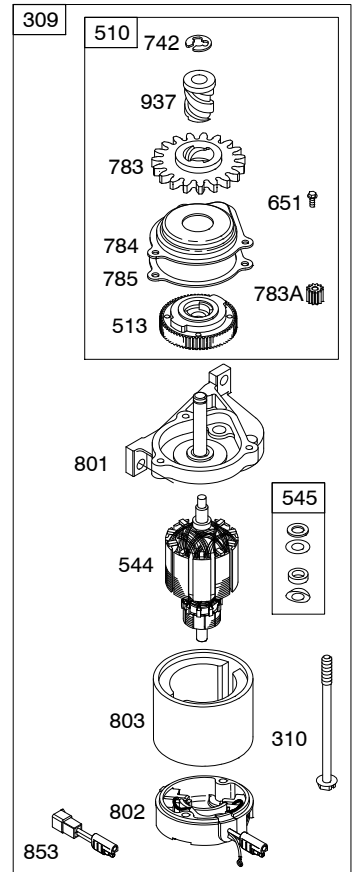
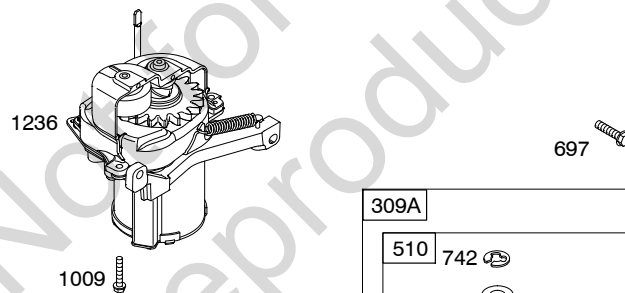
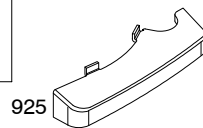
Illustrations cover a range of engines. Parts shown without corresponding text may not be used on your specific engine.
 6134-5 Assemblies include all parts shown in frames. 11/11/2008



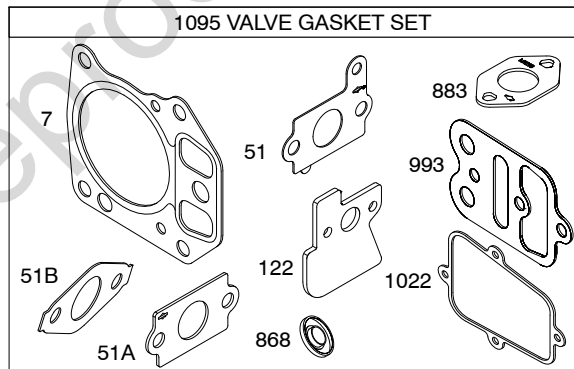
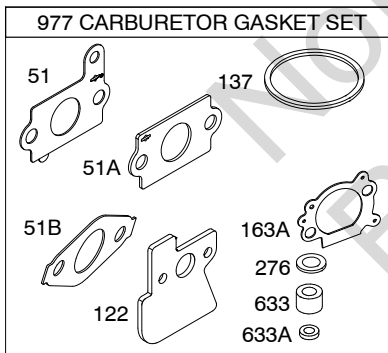
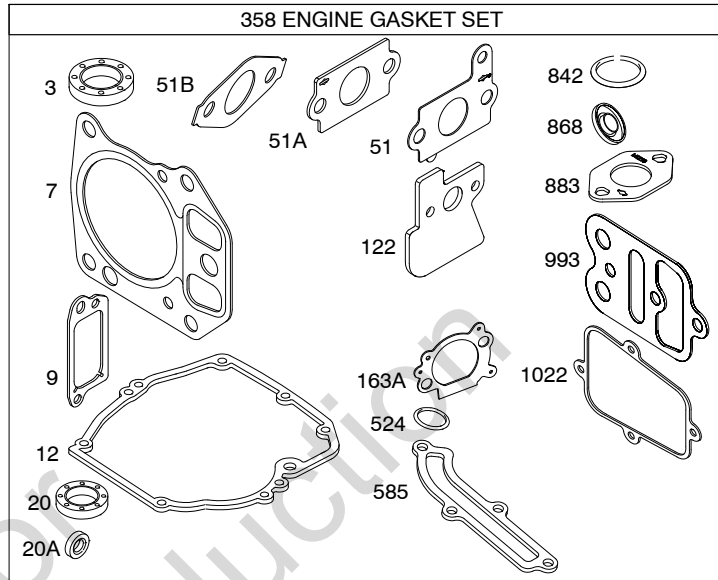
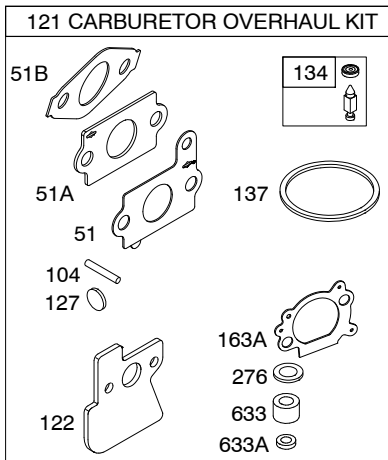
Illustrations cover a range of engines. Parts shown without corresponding text may not be used on your specific engine.
6134-6 Assemblies include all parts shown in frames. **11/11/2008**



1036 EMISSIONS LABEL



Illustrations cover a range of engines. Parts shown without corresponding text may not be used on your specific engine.
6134-7 Assemblies include all parts shown in frames. 11/11/2008



REF. NO.	PART NO.	DESCRIPTION	REF. NO.	PART NO.	DESCRIPTION	REF. NO.	PART NO.	DESCRIPTION
1	692670	Cylinder Assembly	16	693291	Crankshaft	25	795429	Piston Assembly (Standard)
2	399269	Kit-Bushing/Seal (Magneto Side)			----- Note -----			(Used After Code Date 07090300).
3	★299819S	Seal-Oil (Magneto Side)			692824 Crankshaft Used on Type No(s). 0110, 0115.			----- Note -----
4	493279	Sump-Engine			692823 Crankshaft Used on Type No(s). 0111, 0119, 0129, 0130, 0142, 0143, 0150, 0182.			792004 Piston Assembly (Standard) (Used Before Code Date 07090400).
		----- Note -----			692803 Crankshaft Used on Type No(s). 0133, 0149.			795430 Piston Assembly (.020" Oversize) (Used After Code Date 07090300).
		498983 Sump-Engine Used on Type No(s). 0110, 0117, 0132, 0133, 0149, 0152, 0177.			691457 Crankshaft Used on Type No(s). 0105, 0112, 0117, 0120, 0128, 0131, 0132, 0138, 0139, 0146, 0153, 0154, 0164, 0177, 0195, 0200.			791325 Piston Assembly (.020" Oversize) (Used Before Code Date 07090400).
		696294 Sump-Engine Used on Type No(s). 0112.			20 ★399781S Seal-Oil (PTO Side)	26	795431	Ring Set (Standard) (Used After Code Date 07090300).
4A	493365	Sump-Engine	20A	★691952	Seal-Oil (PTO Side) (Auxiliary PTO)			----- Note -----
5	795501	Head-Cylinder (Used After Code Date 05110100).			22 691092 Screw (Crankcase Cover/Sump)			791969 Ring Set (Standard) (Used After Code Date 05030700 and Before Code Date 07090400).
		----- Note -----			23 692693 Flywheel			499631 Ring Set (Standard) (Used Before Code Date 05030800).
		695276 Head-Cylinder (Used Before Code Date 05110200). (Auxiliary PTO)			----- Note -----			795432 Ring Set (.020" Oversize) (Used After Code Date 07090300).
7	★Δ697230	Gasket-Cylinder Head			692987 Flywheel Used on Type No(s). 0119, 0133, 0149.			791324 Ring Set (.020" Oversize) (Used After Code Date 05030700 and Before Code Date 07090400).
8	495786	Breather Assembly			697610 Flywheel Used on Type No(s). 0100, 0105, 0120, 0121, 0128, 0130, 0131, 0137, 0138, 0139, 0142, 0143, 0146, 0152, 0153, 0154, 0164, 0195, 0200.			499427 Ring Set (.020" Oversize) (Used Before Code Date 05030800).
9	★699833	Gasket-Breather			697271 Flywheel Used on Type No(s). 0112.			
10	691125	Screw (Breather Assembly)			24 222698S Key-Flywheel			
11A	499675	Tube-Breather						
12	★692232	Gasket-Crankcase						
13	691137	Screw (Cylinder Head)						
15	691680	Plug-Oil Drain (Square Socket)						
15A	691093	Plug-Oil Drain (Hex Socket)						

★ Included in Engine Gasket Set-Ref. No.358.

● Included in Carburetor Overhaul Kit-Ref. No. 121.

◆ Included in Carburetor Gasket Set-Ref. No. 977.

Δ Included in Valve Gasket Set-Ref. No 1095.

Illustrations cover a range of engines. Parts shown without corresponding text may not be used on your specific engine.

120600

REF. NO.	PART NO.	DESCRIPTION	REF. NO.	PART NO.	DESCRIPTION	REF. NO.	PART NO.	DESCRIPTION
27	691866	Lock-Piston Pin	51	★◆△692668	Gasket-Intake	117	692677	Jet-Main
28	499423	Pin-Piston	51A	★◆△697735	Gasket-Intake			(Standard)
29	499424	Rod-Connecting	51B	★◆△692555	Gasket-Intake			(Used After Code Date
32	691664	Screw (Connecting Rod)	55	691421	Housing-Rewind Starter			00010600). ----- Note -----
32A	695759	Screw (Connecting Rod) (Used After Code Date 00042200).	58	697316	Rope-Starter (Cut To Required Length)			498981 Jet-Main (Standard) (Used After Code Date 99030700 and Before Code Date 00010700).
33	499642	Valve-Exhaust	59	396892	Insert-Grip			497466 Jet-Main (Standard) (Used Before Code Date 99030800).
34	499641	Valve-Intake	60	281434S	Grip-Starter Rope			498981 Jet-Main (Standard) (Used After Code Date 03110600). Used on Type No(s). 0111, 0112, 0119, 0120, 0121, 0128, 0129, 0130, 0131, 0137, 0138, 0139, 0142, 0143, 0146, 0153, 0154, 0164, 0195, 0200.
35	691304	Spring-Valve (Intake)	60A	393152	Grip-Starter Rope			498978 Jet-Main (Standard) (Used After Code Date 99030700 and Before Code Date 03110700). Used on Type No(s). 0111, 0112, 0119, 0120, 0121, 0128, 0129, 0130, 0131, 0137, 0138, 0139, 0142, 0143, 0146, 0153, 0154, 0164, 0195, 0200.
36	691304	Spring-Valve (Exhaust)	65	690837	Screw (Rewind Starter)			494870 Jet-Main (Standard) (Used Before Code Date 99030800). Used on Type No(s). 0131, 0146.
37	694086	Guard-Flywheel	78	691108	Screw (Flywheel Guard)			
40	692194	Retainer-Valve	83	690527	Shaft-Auxiliary Drive			
43	691997	Slinger-Governor/Oil ----- Note ----- 691486 Slinger- Governor/Oil Used on Type No(s). 0110, 0132, 0133, 0149, 0177.	95	691636	Screw (Throttle Valve)			
45	690977	Tappet-Valve	97	499682	Shaft-Throttle (Metal) ----- Note ----- 790121 Shaft-Throttle (Plastic)			
46	694039	Camshaft (Used After Code Date 99030700). ----- Note ----- 694035 Camshaft (Used Before Code Date 99030800).	101	691623	Pin-Shaft			
46A	694033	Camshaft	104	◆691242	Pin-Float Hinge			
			108	691182	Valve-Choke			
			109B	693866	Shaft-Choke			

★ Included in Engine Gasket Set-Ref. No.358.

● Included in Carburetor Overhaul Kit-Ref. No. 121.

◆ Included in Carburetor Gasket Set-Ref. No. 977.

△ Included in Valve Gasket Set-Ref. No 1095.

Illustrations cover a range of engines. Parts shown without corresponding text may not be used on your specific engine.

REF. NO.	PART NO.	DESCRIPTION	REF. NO.	PART NO.	DESCRIPTION	REF. NO.	PART NO.	DESCRIPTION
118	497315	Jet–Main (High Altitude) (Used After Code Date 00010600). ----- Note ----- 497466 Jet–Main (High Altitude) (Used After Code Date 99030700 and Before Code Date 00010700). 496495 Jet–Main (High Altitude) (Used Before Code Date 99030800). 497466 Jet–Main (High Altitude) (Used After Code Date 03110600). Used on Type No(s). 0111, 0112, 0119, 0120, 0121, 0128, 0129, 0130, 0131, 0137, 0138, 0139, 0142, 0143, 0146, 0153, 0154, 0164, 0195, 0200. 498975 Jet–Main (High Altitude) (Used After Code Date 99030700 and Before Code Date 03110700). Used on Type No(s). 0111, 0112, 0119, 0120, 0121, 0128, 0129, 0130, 0131, 0137, 0138, 0139, 0142, 0143, 0146, 0153, 0154, 0164, 0195, 0200. 497315 Jet–Main (High Altitude) (Used Before Code Date 99030800). Used on Type No(s). 0131, 0146.	121	792383	Kit–Carburetor Overhaul	209	691290	Spring–Governor ----- Note ----- 693032 Spring– Governor Used on Type No(s). 0133. 691851 Spring– Governor Used on Type No(s). 0112, 0128, 0130, 0139, 0142, 0143, 0146, 0153, 0154, 0164. 691292 Spring– Governor Used on Type No(s). 0149. 691291 Spring– Governor Used on Type No(s). 0111, 0119, 0129, 0182. 690319 Spring– Governor Used on Type No(s). 0120, 0121.
			122	◆◆692799	Spacer–Carburetor			
			122A	792382	Spacer–Carburetor			
			125	790120	Carburetor Used on Type No(s). 0111, 0112, 0119, 0120, 0121, 0128, 0129, 0130, 0131, 0137, 0138, 0139, 0142, 0143, 0146, 0153, 0154, 0164, 0195, 0200.			
			125C	694505	Carburetor			
			127	◆694468	Plug–Welch			
			130	691203	Valve–Throttle ----- Note ----- 696564 Valve–Throttle (Used With Plastic Throttle Shaft)			
			133	398187	Float–Carburetor			
			134	◆398188	Kit–Needle/Seat			
			137	◆◆693981	Gasket–Float Bowl			
			146	690979	Key–Timing			
			163A	◆◆692667	Gasket–Air Cleaner			
			187	791766	Line–Fuel (Cut to Required Length)			
			188	691147	Screw (Control Bracket)			
			190	690940	Screw (Fuel Tank)			
			192	694543	Adjuster–Rocker Arm			
			202	691303	Link–Mechanical Governor			

★ Included in Engine Gasket Set–Ref. No.358.

● Included in Carburetor Overhaul Kit–Ref. No. 121.

◆ Included in Carburetor Gasket Set–Ref. No. 977.

△ Included in Valve Gasket Set–Ref. No 1095.

Illustrations cover a range of engines. Parts shown without corresponding text may not be used on your specific engine.

120600

REF. NO.	PART NO.	DESCRIPTION	REF. NO.	PART NO.	DESCRIPTION	REF. NO.	PART NO.	DESCRIPTION
222B	792402	Bracket-Control (Used After Code Date 05110100). ----- Note ----- 693378 Bracket-Control (Used Before Code Date 05110200). 792396 Bracket-Control (Used After Code Date 05110100). Used on Type No(s). 0112, 0128, 0130, 0131, 0133, 0142, 0143, 0149, 0154, 0164, 0182, 0195, 0200. 693897 Bracket-Control (Used Before Code Date 05110200). Used on Type No(s). 0112, 0128, 0130, 0131, 0133, 0142, 0143, 0149, 0154, 0164, 0182, 0195, 0200. 792403 Bracket-Control (Used After Code Date 05110100). Used on Type No(s). 0100, 0105, 0120, 0121, 0137, 0138, 0139, 0146, 0150, 0153. 692672 Bracket-Control (Used Before Code Date 05110200). Used on Type No(s). 0100, 0105, 0120, 0121, 0137, 0138, 0139, 0146, 0150, 0153.	227	691467	Lever-Governor Control	305	691108	Screw (Blower Housing)
			238	691300	Cap-Valve	306	691232	Shield-Cylinder
			265	690798	Clamp-Casing	307	690345	Screw
			267	691044	Screw (Casing Clamp)	309	695550	Motor-Starter (Used Before Code Date 07052900).
			268	691025	Casing-Control Wire (Cut To Required Length)	309A	795092	Motor-Starter (Used After Code Date 07052800). (Cylinder Shield)
			269	691026	Wire-Control (Cut To Required Length)	310	692327	Bolt (Starter Motor)
			270	691027	Nut (Control Wire Casing)	326	691108	Screw (Rewind Guard)
			271	691028	Lever-Control	332	690662	Nut (Flywheel)
			276	271716	Washer-Sealing	333	802574	Armature-Magneto
			287	690940	Screw (Dipstick Tube)	334	691061	Screw (Magneto Armature)
			300	694248	Muffler-Exhaust (Used After Code Date 99030700). ----- Note ----- 692275 Muffler-Exhaust (Used Before Code Date 99030800).	337	692051	Plug-Spark
			300B	699769	Muffler-Exhaust	341	690368	Stud (Mounting Bracket)
			304	499676	Housing-Blower ----- Note ----- 697270 Housing-Blower Used on Type No(s). 0112. 695976 Housing-Blower Used on Type No(s). 0100, 0142, 0143, 0153, 0164, 0195, 0200. 499677 Housing-Blower Used on Type No(s). 0105, 0120, 0121, 0128, 0130, 0131, 0137, 0138, 0139, 0146, 0154, 0200.	347	691396	Switch-Rocker
						356	692390	Wire-Stop
						356A	693010	Wire-Stop
						358	792384	Gasket Set-Engine
						363	19069	Puller-Flywheel
						365	691129	Screw (Carburetor) (Used After Code Date 05110100). ----- Note ----- 691136 Screw (Carburetor) (Used Before Code Date 05110200).
						374	691074	Washer (Camshaft)
						383	19374S	Wrench-Spark Plug
						404	690272	Washer (Governor Crank)
						425	690670	Screw (Air Cleaner Cover)

★ Included in Engine Gasket Set-Ref. No.358.

● Included in Carburetor Overhaul Kit-Ref. No. 121.

◆ Included in Carburetor Gasket Set-Ref. No. 977.

△ Included in Valve Gasket Set-Ref. No 1095.

Illustrations cover a range of engines. Parts shown without corresponding text may not be used on your specific engine.

REF. NO.	PART NO.	DESCRIPTION	REF. NO.	PART NO.	DESCRIPTION	REF. NO.	PART NO.	DESCRIPTION	
443	691637	Screw (Air Cleaner Primer Base)	601	791850	Clamp-Hose	715	691147	Screw (Shaft Stop)	
443A	692523	Screw (Air Cleaner Primer Base)	604A	693807	Cover-Control ----- Note -----	718	690959	Pin-Locating	
445	491588S	Filter-Air Cleaner Cartridge		692669	Cover-Control Used on Type No(s). 0111, 0112, 0119, 0120, 0121, 0128, 0130, 0131, 0137, 0138, 0139, 0142, 0143, 0146, 0153, 0154, 0164, 0195, 0200.	721	690449	Stop-Shaft	
455	791960	Cup-Flywheel		608	497680	Starter-Rewind	741	794388	Gear-Timing (Use Without Woodruff Key) (Used After Code Date 07093000). ----- Note -----
456	692299	Plate-Pawl Friction		613	691108	Screw (Muffler)		790345	Gear-Timing (Use Without Woodruff Key)
459	281505S	Pawl-Ratchet		613A	691140	Screw (Muffler)			(Used Before Code Date 07100100).
472	693809	Knob-Choke Shaft		615	690340	Retainer-Governor Shaft	742	93941	Retainer-E Ring
474	691991	Alternator		616	698801	Crank-Governor	743	691772	Gear-Drive
493	692877	Bracket-Mounting		619	691108	Screw (Cylinder Head Plate)	745	691648	Screw (Brake)
505	691251	Nut (Governor Control Lever)		621	692310	Switch-Stop	783	691918	Gear-Pinion
510	795093	Drive-Starter		633	◆691321	Seal-Choke/Throttle Shaft	783A	691269	Gear-Pinion
513	692358	Clutch-Drive		633A	◆693867	Seal-Choke/Throttle Shaft	784	795095	Cover-Gear
523	499621	Dipstick		635	66538S	Boot-Spark Plug	785	692352	Gasket-Starter Cover
524	★692296	Seal-Dipstick Tube		651	691660	Screw (Starter Gear Cover)	789	696547	Harness-Wiring (Used After Code Date 00040600). ----- Note -----
525	495265	Tube-Dipstick		670	692294	Spacer-Fuel Tank		691372	Harness-Wiring (Used Before Code Date 00040700).
529	692937	Grommet		676C	497682	Deflector-Muffler	801	690782	Cap-Drive
529A	691923	Grommet		676D	692957	Deflector-Muffler	802	695267	Cap-End (Used After Code Date 00040600). ----- Note -----
532	692851	Nut (Mounting Bracket)		677	690661	Screw (Muffler Deflector)		695975	Cap-End (Used Before Code Date 00040700).
544	690786	Armature-Starter		684	690345	Screw (Breather Passage Cover)			
545	492919	Washer Set (Starter Motor)		689	691855	Spring-Friction			
562	691119	Bolt (Governor-Control Lever)		692	690572	Spring-Detent			
564A	693808	Screw (Control Cover)		697	691127	Screw (Drive Cap)			
584	697734	Cover-Breather Passage							
585	★691879	Gasket-Breather Passage							
592	690800	Nut (Rewind Starter)							
597	691696	Screw (Pawl Friction Plate)							

★ Included in Engine Gasket Set-Ref. No.358.

● Included in Carburetor Overhaul Kit-Ref. No. 121.

◆ Included in Carburetor Gasket Set-Ref. No. 977.

△ Included in Valve Gasket Set-Ref. No 1095.

Illustrations cover a range of engines. Parts shown without corresponding text may not be used on your specific engine.

120600

REF. NO.	PART NO.	DESCRIPTION	REF. NO.	PART NO.	DESCRIPTION	REF. NO.	PART NO.	DESCRIPTION
803	695266	Housing–Starter (Used After Code Date 00040600). ----- Note ----- 695975 Housing–Starter (Used Before Code Date 00040700).	883	★Δ691893	Gasket–Valve	967	493537	Filter–Pre Cleaner
830	694544	Stud–Rocker Arm	886	696268	Gasket Set–Cylinder Head Plate	968	692298	Cover–Air Cleaner
832	691466	Guard–Muffler ----- Note ----- 695593 Guard Muffler Used on Type No(s). 0111, 0200.	910	691094	Stud (Alternator)	969	691138	Screw (Blower Housing Cover)
836	692198	Screw (Muffler Guard) ----- Note ----- 697551 Screw (Muffler Guard) Used on Type No(s). 0105, 0117, 0119, 0120, 0121, 0164. 692557 Screw (Muffler Guard) Used on Type No(s). 0111, 0200.	914	691108	Screw (Rocker Arm Cover)	969A	697922	Screw (Blower Housing Cover)
836A	690664	Screw (Muffler Guard) ----- Note ----- 691147 Screw (Muffler Guard) Used on Type No(s). 0105, 0111, 0117, 0119, 0120, 0121, 0200.	921B	697921	Cover–Blower Housing	972	699374	Tank–Fuel (Plastic)
842	★691031	Seal–O Ring (Dipstick Tube)	922	691831	Spring–Brake ----- Note ----- 692135 Spring–Brake Used on Type No(s). 0100, 0142, 0143, 0153, 0195.	972B	699387	Tank–Fuel (Plastic)
843	691884	Sleeve–Lever	923	691994	Brake ----- Note ----- 695891 Brake Used on Type No(s). 0100, 0142, 0143, 0153, 0195.	975	493640	Bowl–Float
847	692047	Dipstick/Tube Assembly	925	795403	Cover–Linkage (Used After Code Date 07072200). ----- Note ----- 690595 Cover–Linkage (Used Before Code Date 07072300).	976	694395	Primer–Carburetor
851	493880S	Terminal–Spark Plug	930A	692675	Guard–Rewind	977	792385	Gasket Set–Carburetor
853	695268	Adapter–Wire	935	499421	Switch–Interlock	990	695951	Key Set
868	★Δ692044	Seal–Valve	937	691325	Spline–Starter	993	★Δ694088	Gasket–Cylinder Head Plate
			957	692046	Cap–Fuel Tank (Plastic)	1005	691346	Fan–Flywheel
			957B	699985	Cap–Fuel Tank (Plastic)	1009	696255	Screw (Starter Motor)
			966	692673	Base–Air Cleaner Primer	1019	693868	Kit–Label ----- Note ----- 790231 Kit–Label (Touch N Mow)
			966A	693863	Base–Air Cleaner Primer Used on Type No(s). 0105, 0117, 0132, 0152, 0177, 0182.	1022	★Δ691890	Gasket–Rocker Cover
						1023	499624	Cover–Rocker Arm
						1026	692045	Rod–Push
						1029	691230	Arm–Rocker
						1034	691343	Guide–Push Rod
						1036		Label–Emissions (Available From A Briggs & Statton Authorized Dealer)
						1058	277102	Operator’s Manual ----- Note ----- 276347 Operator’s Manual (Touch N Mow)

★ Included in Engine Gasket Set–Ref. No.358.

● Included in Carburetor Overhaul Kit–Ref. No. 121.

◆ Included in Carburetor Gasket Set–Ref. No. 977.

Δ Included in Valve Gasket Set–Ref. No 1095.

Illustrations cover a range of engines. Parts shown without corresponding text may not be used on your specific engine.

REF. NO.	PART NO.	DESCRIPTION	REF. NO.	PART NO.	DESCRIPTION	REF. NO.	PART NO.	DESCRIPTION
1059	692311	Kit-Screw/Washer ----- Note ----- 696293 Kit-Screw/Washer Used on Type No(s). 0112.	1119	692979	Screw (Alternator)	1211	498144	Pulley/Spring Assembly (Spring)
1095	792386	Gasket Set-Valve	1160	690345	Screw (Interlock Switch)	1236	695959	Starter-Mechanical
1102	691255	Pilot-Guide Used on Type No(s). 0110, 0117, 0132, 0149, 0177.	1210	498144	Pulley/Spring Assembly (Pulley)	1319	794467	Label-Warning
1102A	691266	Pilot-Guide Used on Type No(s). 0133.				1330	272147	Manual-Repair

Not for
Reproduction

★ Included in Engine Gasket Set-Ref. No.358.
● Included in Carburetor Overhaul Kit-Ref. No. 121.

◆ Included in Carburetor Gasket Set-Ref. No. 977.
△ Included in Valve Gasket Set-Ref. No 1095.

Illustrations cover a range of engines. Parts shown without corresponding text may not be used on your specific engine.
6134-15 Assemblies include all parts shown in frames. 11/11/2008

Not for
Reproduction

