



Illustrated Parts List

Model Series

124T00

TYPE NUMBERS
0101 through 4966.

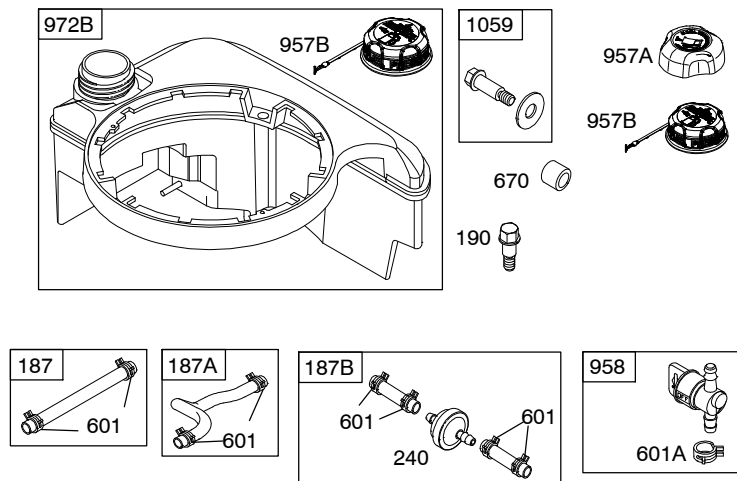
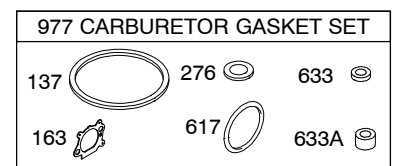
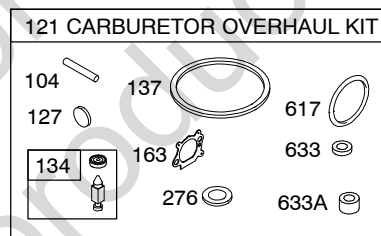
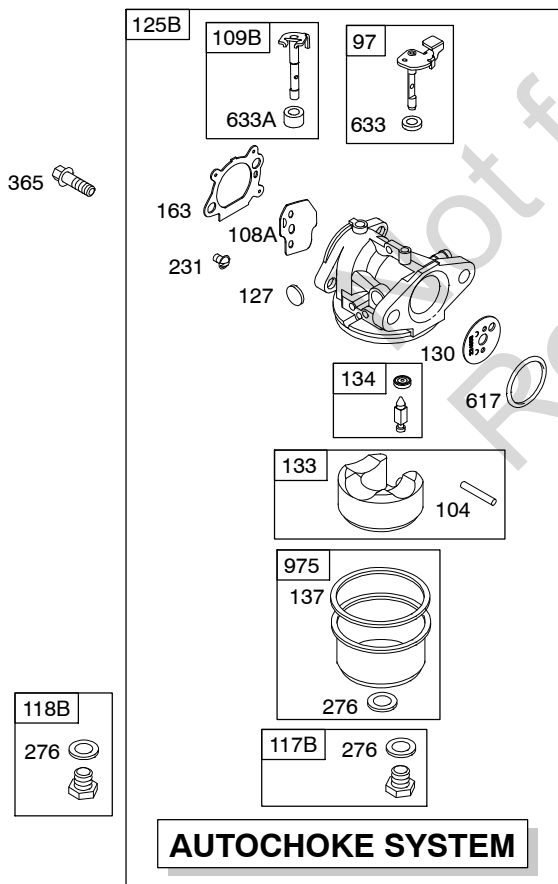
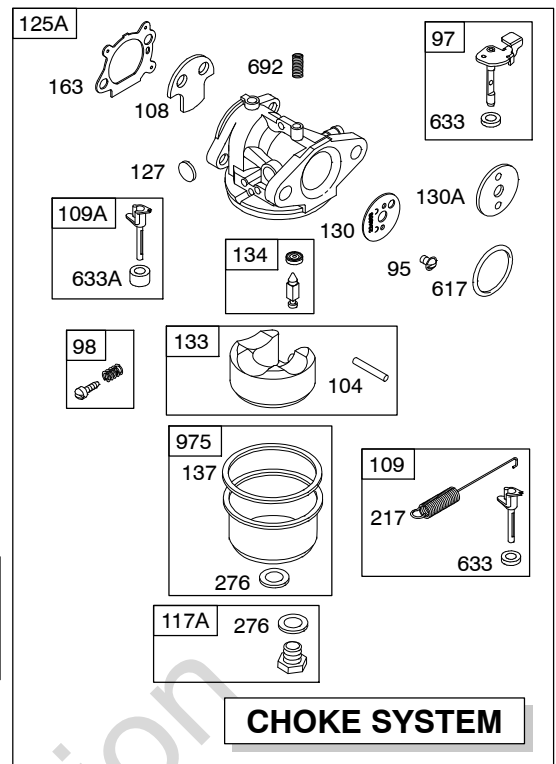
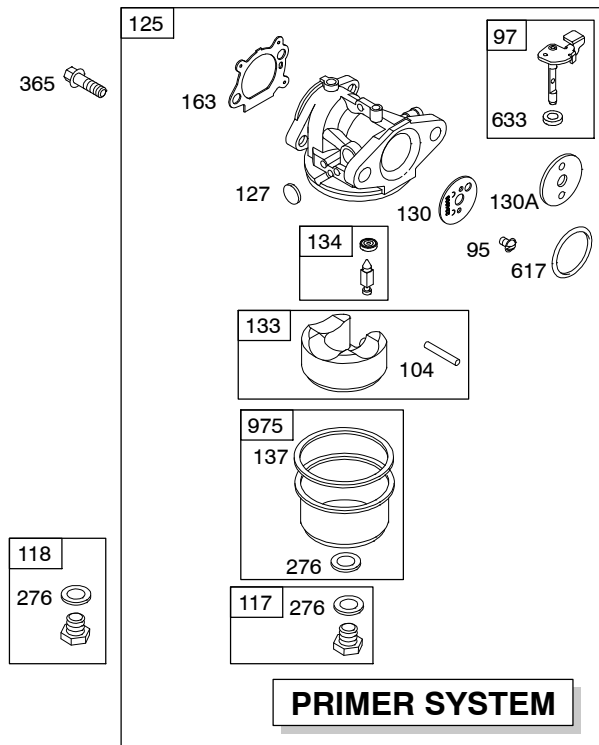
TABLE OF CONTENTS

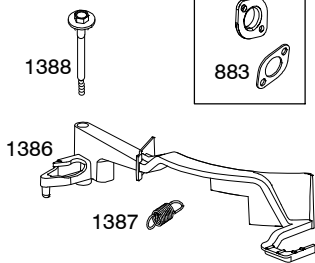
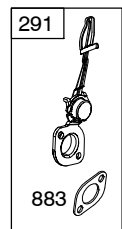
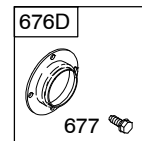
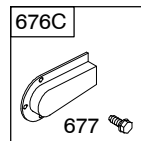
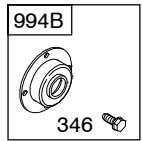
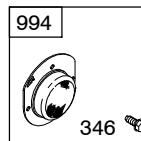
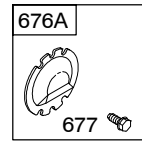
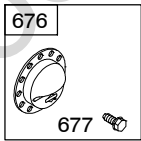
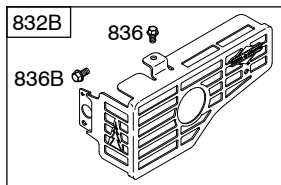
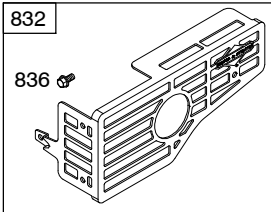
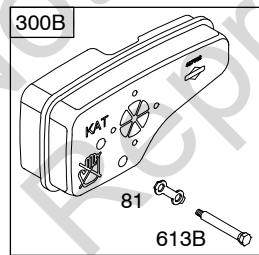
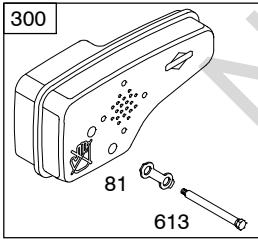
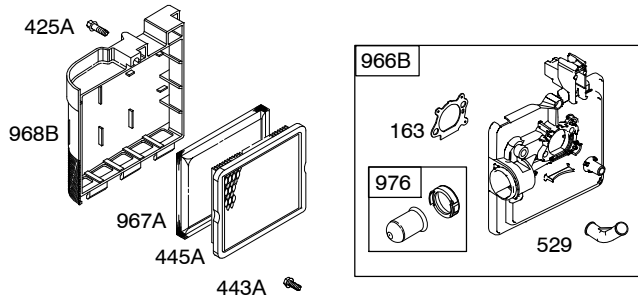
Air Cleaner	4
Alternator	5
Blower Housing	7
Blower Housing/Shrouds	6
Camshaft	2
Carburetor	3
Controls	5
Crankshaft	2
Cylinder	2
Electric Starter	7
Electrical	5
Engine Sump	2
Exhaust System	4
Flywheel	7
Flywheel Brake	5
Fuel Supply	3
Governor Spring	5
Ignition	5
Kits/Gaskets	2 & 3
Lubrication	2
Piston Group	2
Rewind Starter	7
Valves	2



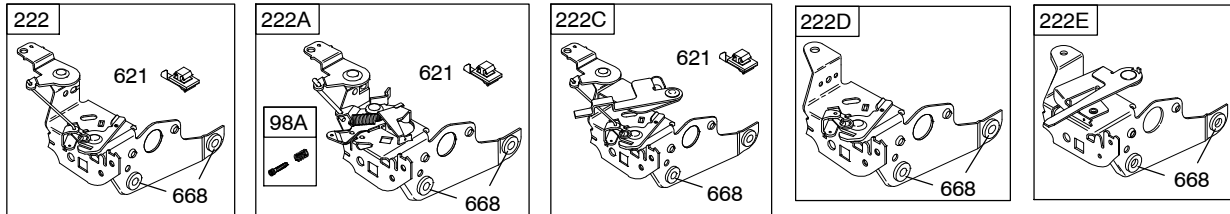
PRINTED IN U.S.A.

COPYRIGHT by BRIGGS & STRATTON CORPORATION
All rights reserved. No part of this material may be reproduced or transmitted,
in any form or by any means, electronic or mechanical, including photocopying,
recording or by any information storage and retrieval system, without permission
in writing from Briggs & Stratton Corporation.

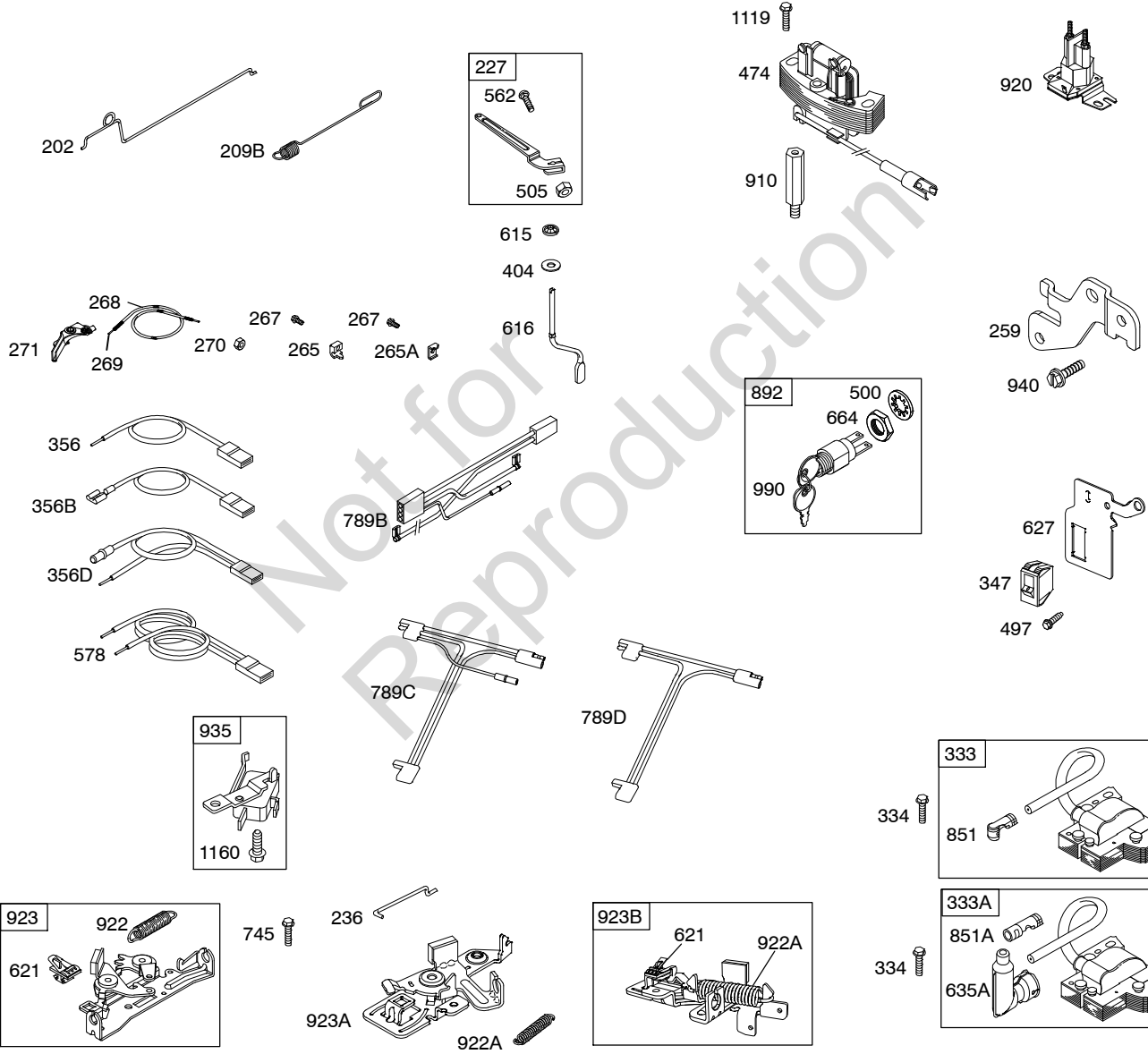




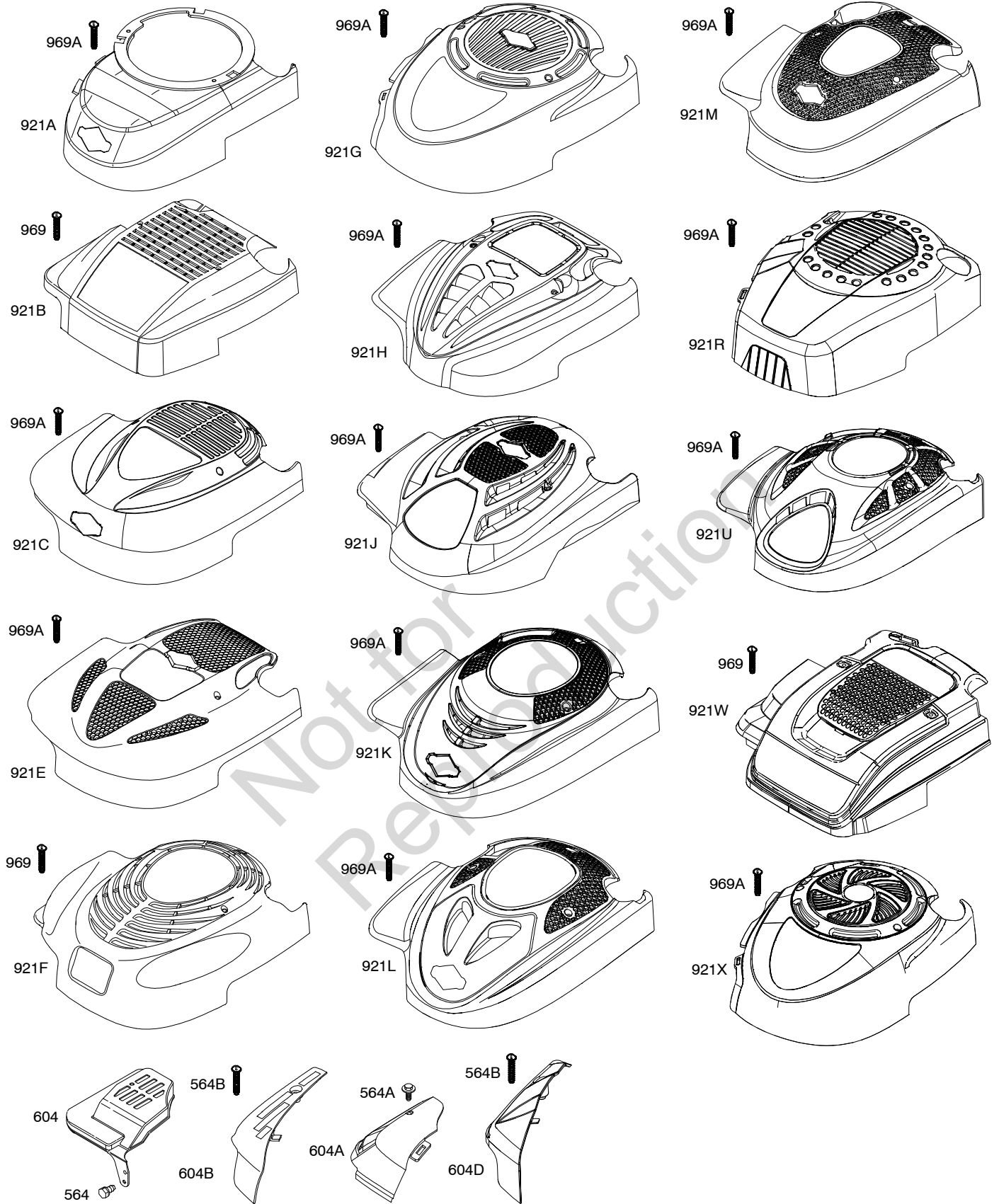
Illustrations cover a range of engines. Parts shown without corresponding text may not be used on your specific engine.
3730-4 Assemblies include all parts shown in frames. **05/11/2009**



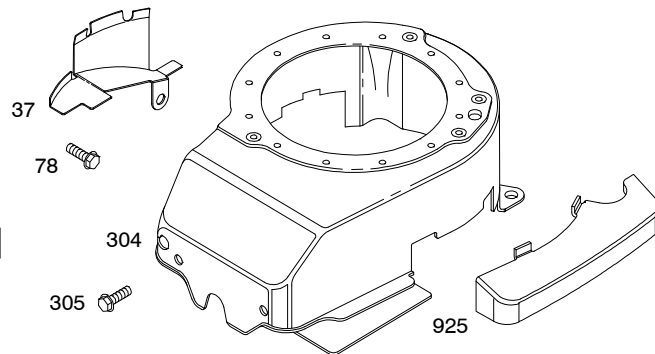
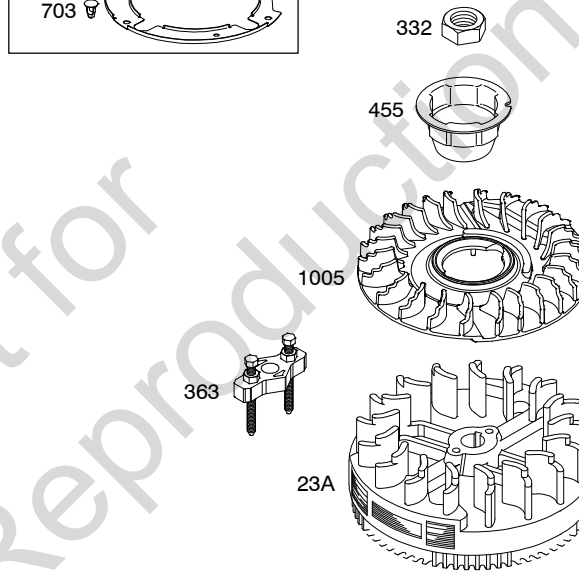
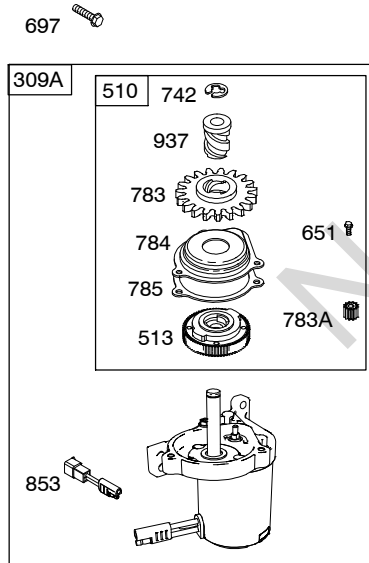
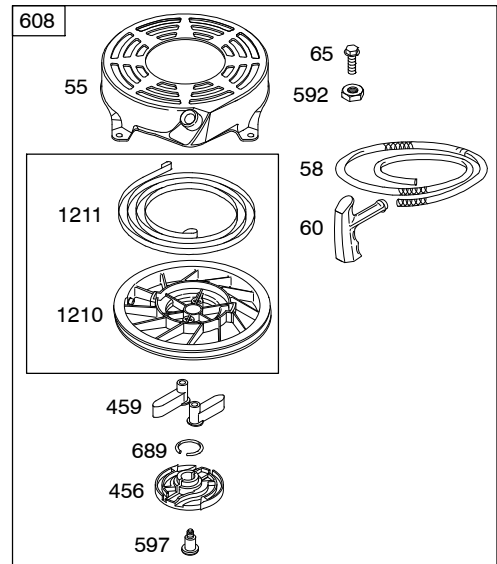
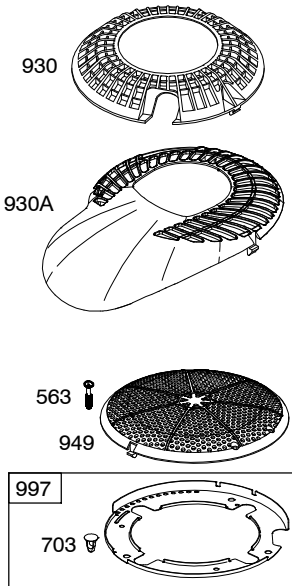
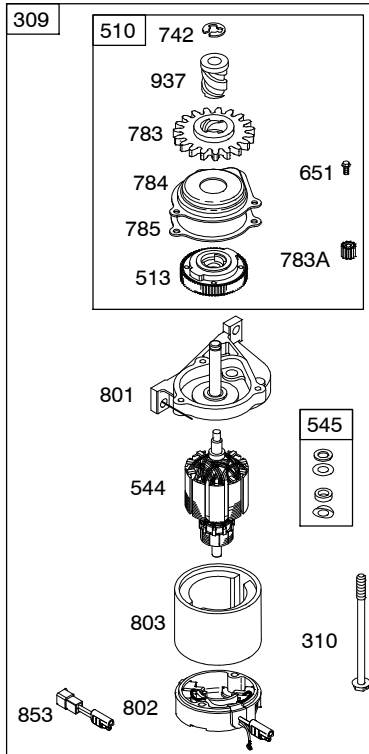
188 843 843A



124T00



Illustrations cover a range of engines. Parts shown without corresponding text may not be used on your specific engine.
3730-6 Assemblies include all parts shown in frames. **05/11/2009**



1036 EMISSIONS LABEL

124T00

REF. NO.	PART NO.	DESCRIPTION	REF. NO.	PART NO.	DESCRIPTION	REF. NO.	PART NO.	DESCRIPTION
1	697322	Cylinder Assembly	16	691450	Crankshaft		694849	Crankshaft
2	399269	Kit-Bushing/Seal (Magneto Side)			----- Note -----			Used on Type No(s). 0130.
3	★299819S	Seal-Oil (Magneto Side)		691451	Crankshaft		696290	Crankshaft
4	493279	Sump-Engine			Used on Type No(s).			Used on Type No(s). 0120, 0185.
		----- Note -----			0105, 0128, 0133, 0134, 0135, 0136, 0137, 0138, 0140, 0142, 0143, 0147, 0148, 0159, 0162, 0163, 0171, 0172, 0174, 0175, 0177, 0178, 0179, 0186, 0187, 0192, 0200, 0201, 0207, 0220, 0221, 0226, 0455, 0464, 0486, 0567, 0611, 1728, 1729, 1772, 1773, 1778, 1779, 1780, 1782, 1905, 1923, 1946, 1950, 2042, 2048, 2049, 2050, 2109, 2110, 2112, 2113, 2635, 2636, 4048, 4049, 4159, 4162, 4163, 4164, 4172, 4174, 4178, 4567, 4611, 4778, 4923, 4950.		694850	Crankshaft
5	691160	Head-Cylinder			691452	Crankshaft		Used on Type No(s). 0121, 0139, 0141, 0183.
7	★∅692249	Gasket-Cylinder Head			Used on Type No(s).		691455	Crankshaft
8	695250	Breather Assembly			0129, 0149, 0204, 0210, 0227, 1709, 1720, 1722, 1724, 1771, 1776, 1777, 1924, 1933, 1936, 1952, 1966, 1971, 1972, 1983, 2114, 2309, 2346, 2367, 2643, 4114, 4198, 4724, 4777, 4933, 4952, 4966.			Used on Type No(s). 0124, 0526, 0535, 1914, 4914.
9	★∅696125	Gasket-Breather					691482	Crankshaft
10	691125	Screw (Breather Assembly)						Used on Type No(s). 0119, 0144, 1907, 1977, 4305.
11	691781	Tube-Breather					694478	Crankshaft
12	★692232	Gasket-Crankcase						Used on Type No(s). 0510, 0536.
13	690912	Screw (Cylinder Head)					691454	Crankshaft
15	691680	Plug-Oil Drain (Square Socket)						Used on Type No(s). 1926, 4926.
							692980	Crankshaft
								Used on Type No(s). 1715.
							696009	Crankshaft
								Used on Type No(s). 0161, 0203, 0205, 0206, 0212, 0215, 0216, 0217, 0222, 0224, 4161, 4215.
							797372	Crankshaft
								Used on Type No(s). 0232.

★ Included in Engine Gasket Set-Ref. No.358.

● Included in Carburetor Overhaul Kit-Ref. No. 121.

◆ Included in Carburetor Gasket Set-Ref. No. 977.

∅ Included in Valve Gasket Set-Ref. No 1095.

Illustrations cover a range of engines. Parts shown without corresponding text may not be used on your specific engine.

3730-8

Assemblies include all parts shown in frames.

05/11/2009

REF. NO.	PART NO.	DESCRIPTION	REF. NO.	PART NO.	DESCRIPTION	REF. NO.	PART NO.	DESCRIPTION
20	*399781S	Seal–Oil (PTO Side)	25	797302	Piston Assembly (Standard) (Used After Code Date 09041600).	26	797304	Ring Set (Standard) (Used After Code Date 09041600).
22	691092	Screw (Crankcase Cover/ Sump)			----- Note -----			----- Note -----
23A	691987	Flywheel ----- Note ----- 691992 Flywheel Used on Type No(s). 0105, 0119, 0120, 0121, 0124, 0130, 0135, 0136, 0137, 0138, 0139, 0141, 0143, 0147, 0148, 0149, 0175, 0183, 0185, 0186, 0187, 0192, 0200, 0232, 0526, 0535, 1120, 1724, 1777, 1907, 1914, 1933, 2643, 4164, 4198, 4724, 4777, 4914, 4933.			795429 Piston Assembly (Standard) (Used After Code Date 07090300 and Before Code Date 09041700).			795431 Ring Set (Standard) (Used After Code Date 07090300 and Before Code Date 09041700).
					791097 Piston Assembly (Standard) (Used Before Code Date 07090400).			791098 Ring Set (Standard) (Used Before Code Date 07090400).
					797303 Piston Assembly (.020" Oversize) (Used After Code Date 09041600).			797305 Ring Set (.020" Oversize) (Used After Code Date 09041600).
24	222698S	Key–Flywheel			795430 Piston Assembly (.020" Oversize) (Used After Code Date 07090300 and Before Code Date 09041700).			795432 Ring Set (.020" Oversize) (Used After Code Date 07090300 and Before Code Date 09041700).
					791326 Piston Assembly (.020" Oversize) (Used Before Code Date 07090400).	27	691588	Lock–Piston Pin (Used After Code Date 09041600).
								----- Note -----
								691866 Lock–Piston Pin (Used Before Code Date 09041700).
						28	298909	Pin–Piston (Used After Code Date 09041600).
								----- Note -----
								499423 Pin–Piston (Used Before Code Date 09041700).

★ Included in Engine Gasket Set–Ref. No.358.
● Included in Carburetor Overhaul Kit–Ref. No. 121.

◆ Included in Carburetor Gasket Set–Ref. No. 977.
∅ Included in Valve Gasket Set–Ref. No 1095.

Illustrations cover a range of engines. Parts shown without corresponding text may not be used on your specific engine.

3730–9 Assemblies include all parts shown in frames. **05/11/2009**

124T00

REF. NO.	PART NO.	DESCRIPTION	REF. NO.	PART NO.	DESCRIPTION	REF. NO.	PART NO.	DESCRIPTION
29	797306	Rod-Connecting (Used After Code Date 09041600). ----- Note ----- 499424 Rod-Connecting (Used Before Code Date 09041700).	58	697316	Rope-Starter (Cut To Required Length) ----- Note ----- 791362 Rope-Starter Used on Type No(s). 0987, 1232.	117	498978	Jet-Main (Standard) ----- Note ----- 692677 Jet-Main (Standard) (Used After Code Date 07020600). Used on Type No(s). 0464, 0736, 0854, 0886, 0896, 3736, 3854.
32	691664	Screw (Connecting Rod)	60	281434S	Grip-Starter Rope			
32A	695759	Screw (Connecting Rod)	65	690837	Screw (Rewind Starter)			
33	262651S	Valve-Exhaust	78	691108	Screw (Flywheel Guard)			
34	262652S	Valve-Intake	81	691740	Lock-Muffler Screw			
35	691270	Spring-Valve (Intake)	95	691636	Screw (Throttle Valve)			
36	691270	Spring-Valve (Exhaust)	97	493267	Shaft-Throttle (Metal) ----- Note ----- 696565 Shaft-Throttle (Plastic)	117A	498981	Jet-Main (Standard) ----- Note ----- 498978 Jet-Main (Standard) Used on Type No(s). 0119, 0144, 1120, 1907, 1977, 4305.
37	694086	Guard-Flywheel	98	398185	Kit-Idle Speed			
40	692194	Retainer-Valve	98A	493280	Kit-Idle Speed			
43	691997	Slinger-Governor/Oil ----- Note ----- 691486 Slinger-Governor/Oil Used on Type No(s). 0119, 1120, 1907, 1977, 4305.	104	691242	Pin-Float Hinge			
			108	691182	Valve-Choke			
			108A	795935	Valve-Choke (Used After Code Date 08031200). ----- Note ----- 790844 Valve-Choke (Used Before Code Date 08031300).	117B	695042	Jet-Main (Standard) (Used After Code Date 08061900). ----- Note ----- 691428 Jet-Main (Standard) (Used After Code Date 07020600 and Before Code Date 08062000). 697355 Jet-Main (Standard) (Used Before Code Date 07020700).
45	690548	Tappet-Valve						
46	691449	Camshaft						
50A	794305	Manifold-Intake	109	494218	Shaft-Choke			
51	★722199S	Gasket-Intake	109A	498593	Shaft-Choke			
51A	★794306	Gasket-Intake	109B	795936	Shaft-Choke (Used After Code Date 08031200). ----- Note ----- 790843 Shaft-Choke (Used Before Code Date 08031300).			
54	691650	Screw (Intake Manifold)						
55	691421	Housing-Rewind Starter						

★ Included in Engine Gasket Set-Ref. No.358.

● Included in Carburetor Overhaul Kit-Ref. No. 121.

◆ Included in Carburetor Gasket Set-Ref. No. 977.

⊘ Included in Valve Gasket Set-Ref. No 1095.

Illustrations cover a range of engines. Parts shown without corresponding text may not be used on your specific engine.

REF. NO.	PART NO.	DESCRIPTION	REF. NO.	PART NO.	DESCRIPTION	REF. NO.	PART NO.	DESCRIPTION
118	497466	Jet–Main (High Altitude) ----- Note ----- 497315 Jet–Main (High Altitude) Used on Type No(s). 0464, 0736, 0854, 0886, 0896, 3736, 3854.	125	498170	Carburetor (Primer System) ----- Note ----- 694882 Carburetor (Primer System) (Used After Code Date 07020600). Used on Type No(s). 0210, 0464, 0736, 0854, 0886, 0896, 0926, 1001, 1072, 1771, 1781, 1946, 2042, 3736, 3854.	127	●694468	Plug–Welch
118A	494870	Jet–Main (High Altitude) ----- Note ----- 497466 Jet–Main (High Altitude) Used on Type No(s). 0119, 0144, 1120, 1907, 1977, 4305.			790821 Carburetor (Primer System) (Used Before Code Date 07020700). Used on Type No(s). 0464, 0736, 0854, 3736, 3854.	130	●696564	Valve–Throttle
118B	694975	Jet–Main (High Altitude) (Used After Code Date 08061900). ----- Note ----- 695042 Jet–Main (High Altitude) (Used After Code Date 07020600 and Before Code Date 08062000). 692677 Jet–Main (High Altitude) (Used Before Code Date 07020700).	125A	792253	Carburetor (Choke System) ----- Note ----- 499059 Carburetor (Choke System) Used on Type No(s). 0119, 0144, 1120, 1907, 1977, 4305.	130A	●691203	Valve–Throttle
121	498260	Kit–Carburetor Overhaul			790978 Carburetor (Choke System) Used on Type No(s). 0147, 0148, 0155, 0163, 0178, 0202, 1724, 1728, 1729, 1772, 1773.	133	●398187	Float–Carburetor
			125B	794304	Carburetor (Autochoke System) (Used After Code Date 07020600). ----- Note ----- 790845 Carburetor (Used Before Code Date 07020700).	134	●◆398188	Kit–Needle/Seat
						137	●◆693981	Gasket–Float Bowl
						146	●690979	Key–Timing
						163★●◆272653	●	Gasket–Air Cleaner
						187	791766	Line–Fuel (Cut to Required Length)
						187A	791873	Line–Fuel (Molded)
						187B	791891	Line–Fuel (Includes Filter)
						188	693399	Screw (Control Bracket)
						190	690940	Screw (Fuel Tank)
						202	691829	Link–Mechanical Governor

★ Included in Engine Gasket Set–Ref. No.358.

● Included in Carburetor Overhaul Kit–Ref. No. 121.

◆ Included in Carburetor Gasket Set–Ref. No. 977.

⊗ Included in Valve Gasket Set–Ref. No 1095.

Illustrations cover a range of engines. Parts shown without corresponding text may not be used on your specific engine.

124T00

REF. NO.	PART NO.	DESCRIPTION	REF. NO.	PART NO.	DESCRIPTION	REF. NO.	PART NO.	DESCRIPTION	
209B	699056	Spring-Governor ----- Note ----- 691851 Spring-Governor Used on Type No(s). 0111, 0112, 0114, 0133, 0134, 0144, 0175, 2311, 2643. 691290 Spring-Governor Used on Type No(s). 0130, 0171. 691291 Spring-Governor Used on Type No(s). 0115, 0120, 0121, 0128, 0135, 0136, 0137, 0141, 0142, 0143, 0149, 0183, 0185, 0186, 0187, 0510, 0536, 1914, 4914. 691292 Spring-Governor Used on Type No(s). 0105, 0129, 0138, 0139, 0157, 0158, 0159, 0160, 0161, 0172, 0176, 0177, 0179, 0192, 0200, 0201, 0204, 0208, 0215, 0221, 0222, 0224, 0226, 0227, 0356, 0399, 0567, 0988, 0989, 0994, 0999, 1001, 1004,			1026, 1049, 1052, 1072, 1090, 1146, 1206, 1232, 1246, 1247, 1254, 1709, 1715, 1777, 1781, 1905, 1923, 1926, 1936, 1946, 1950, 1951, 1952, 1966, 1971, 2048, 2049, 2112, 2113, 2114, 2309, 4048, 4049, 4114, 4176, 4157, 4158, 4159, 4160, 4161, 4172, 4198, 4215, 4567, 4611, 4724, 4777, 4923, 4926, 4950, 4951, 4952, 4966. 691864 Spring-Governor Used on Type No(s). 0124, 0144, 4305. 793007 Spring-Governor Used on Type No(s). 0147, 0148. 690241 Spring-Governor Used on Type No(s). 0119, 1120, 1907, 1977. 790944 Spring-Governor Used on Type No(s). 0526, 0535.				691852 Spring-Governor Used on Type No(s). 0174, 0188, 0210, 0220, 0987, 1232, 1720, 1722, 1771, 1774, 1776, 1778, 1779, 1780, 1782, 1924, 1972, 1983, 2042, 2109, 2110, 2346, 2367, 2635, 2636, 4162, 4163, 4164, 4174, 4178, 4778. 792666 Spring-Governor Used on Type No(s). 1724. 791157 Spring-Governor Used on Type No(s). 0155, 0162, 0163, 0178, 0202, 0207, 1728, 1729, 1772, 1773.

★ Included in Engine Gasket Set-Ref. No.358.

● Included in Carburetor Overhaul Kit-Ref. No. 121.

◆ Included in Carburetor Gasket Set-Ref. No. 977.

⊘ Included in Valve Gasket Set-Ref. No 1095.

Illustrations cover a range of engines. Parts shown without corresponding text may not be used on your specific engine.

REF. NO.	PART NO.	DESCRIPTION	REF. NO.	PART NO.	DESCRIPTION	REF. NO.	PART NO.	DESCRIPTION
217	690354	Spring-choke Return	231	691636	Screw (Choke Valve)	300	692038	Muffler
222	790143	Bracket-Control (Remote/Manual Friction)(Primer)	236	691826	Link-Lockout	----- Note -----		
222A	692021	Bracket-Control (Remote Choke and Choke A Matic) ----- Note ----- 790982 Bracket-Control Used on Type No(s). 0155, 0162, 0163, 0178, 0202, 0207, 1728, 1729, 1772, 1773.	240	298090S	Filter-Fuel	790828 Muffler Used on Type No(s). 0128, 0157, 0158, 0159, 0160, 0174, 0176, 0188, 0203, 0204, 0205, 0206, 0208, 0212, 0216, 0217, 0220, 0221, 0224, 0227, 0301, 0356, 0567, 0650, 0847, 0885, 0987, 1205, 1206, 1232, 1246, 1247, 1254, 1777, 1778, 1779, 1782, 2048, 2049, 3847, 4048, 4049, 4114, 4156, 4157, 4158, 4159, 4160, 4162, 4163, 4164, 4172, 4174, 4178, 4198, 4567, 4611, 4724, 4777, 4778, 4914, 4923, 4926, 4933, 4950, 4951, 4952, 4966.		
222C	692150	Bracket-Control (Variable Speed) (5 Position Manual Choke)	265	690798	Clamp-Casing	496106S Muffler Used on Type No(s). 0105, 0139, 0155, 0162, 0163, 0172, 0175, 0177, 0178, 0179, 0201, 0202, 0207, 0226, 0611, 1026, 1709, 1715, 1720, 1722, 1724, 1728, 1729, 1771, 1772, 1773, 1776, 1780, 1905, 1907, 1914, 1923, 1924, 1926, 1933, 1936, 1946, 1950, 1951, 1952, 1966, 1971, 1972, 1977, 1983, 2042, 2050, 2109, 2110, 2112, 2113, 2114, 2309, 2311, 2346, 2367, 2635, 2636, 2643, 4305.		
222D	791128	Bracket-Control (Fixed Speed)	265A	691024	Clamp-Casing	792677 Muffler Used on Type No(s). 1052.		
222E	692982	Bracket-Control (Manual Friction 5 Position Manual Choke).	267	691044	Screw (Casing Clamp)	300B	694048	Muffler
227	690783	Lever-Governor Control	268	691025	Casing-Control Wire (Cut to Required Length)			
			269	691026	Wire-Control (Cut to Required Length)			
			270	691027	Nut (Control Wire Casing)			
			271	691028	Lever-Control			
			276 ♦	271716	Washer-Sealing (Main Jet)			
			287	690940	Screw (Dipstick Tube)			
			291	790830	Thermostat			

★ Included in Engine Gasket Set-Ref. No.358.

● Included in Carburetor Overhaul Kit-Ref. No. 121.

◆ Included in Carburetor Gasket Set-Ref. No. 977.

⊘ Included in Valve Gasket Set-Ref. No 1095.

Illustrations cover a range of engines. Parts shown without corresponding text may not be used on your specific engine.

124T00

REF. NO.	PART NO.	DESCRIPTION	REF. NO.	PART NO.	DESCRIPTION	REF. NO.	PART NO.	DESCRIPTION		
304	695892	Housing-Blower ----- Note ----- 790826 Housing-Blower Used on Type No(s). 0128, 0157, 0158, 0159, 0174, 0176, 0188, 0203, 0204, 0205, 0206, 0208, 0212, 0216, 0217, 0220, 0221, 0224, 0227, 0301, 0356, 0567, 0650, 0847, 0885, 0987, 1052, 1205, 1206, 1232, 1246, 1247, 1254, 1779, 1782, 2048, 3847, 4048, 4049, 4157, 4158, 4159, 4160, 4162, 4163, 4172, 4174, 4178, 4567, 4611, 4778, 4923, 4926, 4950, 4951, 4952, 4966. 493294 Housing-Blower Used on Type No(s). 0105, 0115, 0120, 0121, 0124, 0130, 0133, 0134, 0135, 0136, 0137, 0138, 0139, 0141, 0143, 0144, 0147, 0148, 0149, 0171, 0175, 0177, 0183, 0185, 0186, 0187, 0192, 0200, 0232, 0510, 0526, 0535, 0536, 1724, 1907, 1914, 1933, 1977, 2114, 2643, 4305.								
			493293		Housing-Blower Used on Type No(s). 0114, 0140, 0161, 0163, 0178, 0215, 0486, 0611, 0774, 0848, 0904, 0906, 0947, 1026, 1060, 1709, 1715, 1720, 1722, 1728, 1729, 1772, 1776, 1780, 1923, 1924, 1966, 1972, 1983, 2110, 2113, 2309, 2311, 2346, 2367, 2636, 3774, 3848. 694879 Housing-Blower Used on Type No(s). 0119, 1120. 791291 Housing-Blower Used on Type No(s). 1777, 4114, 4156, 4164, 4198, 4724, 4777, 4914, 4933. 790983 Housing-Blower Used on Type No(s). 0160, 2049.					
						305	691108	Screw (Blower Housing)		
						306	690450	Shield-Cylinder		
						306A	790836	Shield-Cylinder		
						307	690345	Screw (Cylinder Shield)		
						309	695550	Motor-Starter (Used Before Code Date 07052900).		
						309A	795092	Motor-Starter (Used After Code Date 07052800).		
						310	692327	Bolt (Starter Motor)		
						332	690662	Nut (Flywheel)		
						333	802574	Armature-Magneto ----- Note ----- 790817 Armature-Magneto Used on Type No(s). 0464, 0736, 0854, 0896, 1946, 3736, 3854.		
						333A	793353	Armature-Magneto ----- Note ----- 793354 Armature-Magneto Used on Type No(s). 0174, 0210, 0885, 0886, 1072, 1771, 1772, 1773, 1778, 1779, 1781, 1782, 2042, 2048, 2049, 4172, 4174, 4778.		
						334	691061	Screw (Magneto Armature)		
						337	802592S	Plug-Spark (Resistor) ----- Note ----- 697451 Plug-Spark (EMS)		

★ Included in Engine Gasket Set-Ref. No.358.

● Included in Carburetor Overhaul Kit-Ref. No. 121.

◆ Included in Carburetor Gasket Set-Ref. No. 977.

⊘ Included in Valve Gasket Set-Ref. No 1095.

Illustrations cover a range of engines. Parts shown without corresponding text may not be used on your specific engine.

3730-14

Assemblies include all parts shown in frames.

05/11/2009

REF. NO.	PART NO.	DESCRIPTION	REF. NO.	PART NO.	DESCRIPTION	REF. NO.	PART NO.	DESCRIPTION
346	690661	Screw (Spark Arrestor)	585	★691879	Gasket-Breather Passage	615	690340	Retainer-Governor Shaft
347	691396	Switch-Rocker	592	690800	Nut (Rewind Starter)	616	698801	Crank-Governor
356	692390	Wire-Stop	597	691696	Screw (Pawl Friction Plate)	617★◆	270344	Seal-O Ring (Intake Manifold)
356B	693010	Wire-Stop	601	791850	Clamp-Hose	621	692310	Switch-Stop
356D	496381	Wire-Stop	601A	691038	Clamp-Hose	627	792565	Bracket-Stop Switch
357A	691483	Key-Drive Pulley	604	691757	Cover-Control	633	◆691321	Seal-Choke/Throttle Shaft
358	794307	Gasket Set-Engine	604A	691344	Cover-Control	633A	◆693867	Seal-Choke/Throttle Shaft
363	19069	Flywheel Puller	604B	790703	Cover-Control	635	66538S	Boot-Spark Plug
365	691688	Screw (Carburetor)	604D	793770	Cover-Control	635A	793351	Boot-Spark Plug
383	89838S	Wrench-Spark Plug	608	497680	Starter-Rewind	651	691660	Screw (Starter Gear Cover)
404	690272	Washer (Governor Crank)			----- Note -----	664	691087	Nut (Key Switch)
425A	690670	Screw (Air Cleaner Cover)			791363 Starter- Rewind	668	★493823	Spacer
443A	692523	Screw (Air Cleaner Primer Base)			Used on Type No(s). 0987, 1232.	670	692294	Spacer-Fuel Tank
445A	491588S	Filter-Air Cleaner Cartridge	613	691340	Screw (Muffler)	676	396548	Deflector-Muffler
455	791960	Cup-Flywheel			----- Note -----	676A	393756	Deflector-Muffler
456	692299	Plate-Pawl Friction			790833 Screw (Muffler)	676C	493871	Deflector-Muffler
459	281505S	Plate-Ratchet			Used on Type No(s).	676D	497682	Deflector-Muffler
474	691991	Alternator			0128, 0157, 0158,	677	690661	Screw (Muffler Deflector)
497	690664	Screw (Stopswitch Bracket)			0159, 0160, 0174,	684	690345	Screw (Breather Passage Cover)
500	691086	Washer (Key Switch)			0176, 0188, 0203, 0204, 0205, 0206,	689	691855	Spring-Friction
505	691251	Nut (Governor Control Lever)			0208, 0212, 0216, 0217, 0220, 0221,	692	690572	Spring-Detent
510	795093	Drive-Starter			0224, 0227, 0301, 0356, 0567, 0650,	697	691127	Screw (Drive Cap)
513	692358	Clutch-Drive			0847, 0885, 0987,	703	696309	Clip
523	499621	Dipstick			1205, 1206, 1232, 1246, 1247, 1254,	718	690959	Pin-Locating
524	★692296	Seal-Dipstick Tube			1777, 1778, 1779,	741	795755	Gear-Timing (Plastic)
525	495265	Tube-Dipstick			1782, 2048, 2049,			----- Note -----
529	691923	Grommet			3847, 4048, 4049,			794388 Gear-Timing (Use Without Woodruff Key)
544	690786	Armature-Starter			4114, 4156, 4157, 4158, 4159, 4160,			(Used After Code Date 07093000).
545	492919	Washer Set			4162, 4163, 4164, 4172, 4174, 4178,			790345 Gear-Timing (Use Without Woodruff Key)
562	92613	Bolt (Governor Control Lever)			4198, 4567, 4611, 4724, 4777, 4778,			(Used Before Code Date 07100100).
563	691138	Screw (Debris Guard Screen)			4914, 4923, 4926, 4933, 4950, 4951, 4952, 4966.			691830 Gear-Timing (Uses Woodruff Key)
564	690664	Screw (Control Cover)			792678 Screw (Muffler)			
564A	691142	Screw (Control Cover)			Used on Type No(s). 1052.			
564B	698589	Screw (Control Cover)	613B	691114	Screw (Muffler)			
578	398153	Wire Assembly						
584	697734	Cover-Breather Passage						

★ Included in Engine Gasket Set-Ref. No.358.

● Included in Carburetor Overhaul Kit-Ref. No. 121.

◆ Included in Carburetor Gasket Set-Ref. No. 977.

⊘ Included in Valve Gasket Set-Ref. No 1095.

Illustrations cover a range of engines. Parts shown without corresponding text may not be used on your specific engine.

124T00

REF. NO.	PART NO.	DESCRIPTION	REF. NO.	PART NO.	DESCRIPTION	REF. NO.	PART NO.	DESCRIPTION
742	93941	Retainer-E Ring	868	697338	Seal-Valve	923	691994	Brake
745	691648	Screw (Brake)	869	691155	Seat-Valve (Intake)	923A	695891	Brake
783	691918	Gear-Pinion	870	690380	Seat-Valve (Exhaust)	923A	695891	Brake
783A	691269	Gear-Pinion	871	262001	Bushing-Valve Guide (Exhaust)	----- Note -----		
784	795095	Cover-Starter Gear						695891 Brake
785	692352	Gasket-Starter Cover						(Used Before Code
789B	696547	Harness-Wiring						Date 08050100).
		----- Note -----						Used on Type No(s).
		696546 Harness- Wiring						0101, 0111, 0112,
		Used on Type No(s).						0116, 0128, 0129,
		0138.						0142, 0455, 0464,
789C	796385	Harness-Wiring						0704, 0736, 0773,
789D	796574	Harness-Wiring						0847, 0853, 0854,
801	690782	Cap-Drive						0876, 0885, 0886,
802	695267	Cap-End						0887, 0896, 1771,
803	695266	Housing-Starter						1773, 1779, 1781,
832	499034	Guard-Muffler						1782, 1905, 1926,
832B	497683	Guard-Muffler						1946, 1950, 1951,
832E	793568	Guard-Muffler						1952, 1971, 2042,
836	690664	Screw (Muffler Guard)						2048, 2109, 2112,
836B	691147	Screw (Muffler Guard)						2635, 3704, 3736,
836C	790745	Screw (Muffler Guard)						3773, 3847, 3853,
842	★691031	Seal-O Ring (Dipstick Tube)						3854.
843	691884	Sleeve-Lever (Speed Control)						923B 796136 Brake
843A	691895	Sleeve-Lever (Choke)						(Used After Code Date
847	692047	Dipstick/Tube Assembly						08043000).
851	493880S	Terminal-Spark Plug						Used on Type No(s).
851A	692424	Terminal-Spark Plug						0101, 0111, 0112,
853	695268	Adapter-Wire						0116, 0128, 0129,
		----- Note -----						0142, 0204, 0210,
		698471 Adapter-Wire						0216, 0220, 0455,
		Used on Type No(s).						0464, 0645, 0704,
		2110, 2113.						0736, 0773, 0847,
		696379 Adapter-Wire						0853, 0854, 0876,
		Used on Type No(s).						0885, 0886, 0887,
		0138.						0896, 1227, 1335,
								1348, 1771, 1773,
								1779, 1781, 1782,
								1905, 1926, 1946,
								1950, 1951, 1952,
								1971, 2042, 2048,
								2109, 2112, 2635,
								3704, 3736, 3773,
								3847, 3853, 3854,
								4048, 4778, 4926,
								4947, 4950, 4951,
								4952, 4966.
								----- Note -----
								796387 Brake
								Used on Type No(s).
								0207, 0217, 0221,
								2947, 4026, 4049,
								4160, 4163, 4178,
								4611, 4923, 4947.

★ Included in Engine Gasket Set-Ref. No.358.

● Included in Carburetor Overhaul Kit-Ref. No. 121.

◆ Included in Carburetor Gasket Set-Ref. No. 977.

⊘ Included in Valve Gasket Set-Ref. No 1095.

Illustrations cover a range of engines. Parts shown without corresponding text may not be used on your specific engine.

REF. NO.	PART NO.	DESCRIPTION	REF. NO.	PART NO.	DESCRIPTION	REF. NO.	PART NO.	DESCRIPTION
925	795403	Cover-Linkage (Used After Code Date 07072200). ----- Note ----- 690595 Cover-Linkage (Used Before Code Date 07072300).	967A	493537S	Filter-Pre Cleaner	1119	691648	Screw (Alternator)
			968B	692298	Cover-Air Cleaner	1160	690345	Screw (Interlock Switch)
			969	690700	Screw (Blower Housing Cover)	1210	498144	Pulley/Spring Assembly (Pulley)
			969A	691138	Screw (Blower Housing Cover)	1211	498144	Pulley/Spring Assembly (Spring)
930	691919	Guard-Rewind	972B	699374	Tank-Fuel (Plastic)	1319	794467	Label-Warning
930A	691345	Guard-Rewind	975	493640	Bowl-Float	1330	270962	Manual-Repair
935	499421	Switch-Interlock	976	694395	Primer-Carburetor	1386	790848	Vane-Air (Autochoke System)
937	691325	Spline-Starter	977	498261	Gasket Set-Carburetor	1387	790849	Spring-Air Vane
940	690664	Screw (Casing Clamp Bracket)	994	398067	Arrestor-Spark	1388	790850	Screw (Air Vane) (Autochoke System)
949	696306	Guard-Debris Screen	994B	792245	Arrestor-Spark			
957A	692046	Cap-Fuel Tank (Plastic)	997	696310	Shield-Debris			
957B	699985	Cap-Fuel Tank (Plastic)	990	691959	Key Set			
958	698183	Valve-Fuel Shut Off (Plastic)	1005	691346	Fan-Flywheel			
966B	792040	Base-Air Cleaner Primer ----- Note ----- 795259 Base-Air Cleaner Primer Used on Type No(s). 1146.	1019	494256	Kit-Label Label-Emissions (Available From A Briggs & Statton Authorized Dealer)			
			1036		Operator's Manual			
			1058	277039	Kit-Screw/Washer			
			1059	692311	Gasket Set-Valve			
			1095	498528	Pilot-Guide			
			1102	691255				

★ Included in Engine Gasket Set-Ref. No.358.

● Included in Carburetor Overhaul Kit-Ref. No. 121.

◆ Included in Carburetor Gasket Set-Ref. No. 977.

⊘ Included in Valve Gasket Set-Ref. No 1095.

Illustrations cover a range of engines. Parts shown without corresponding text may not be used on your specific engine.
3730-17 Assemblies include all parts shown in frames. 05/11/2009