



Illustrated Parts List

Model Series

128800

TYPE NUMBERS
0100 through 4906.

TABLE OF CONTENTS

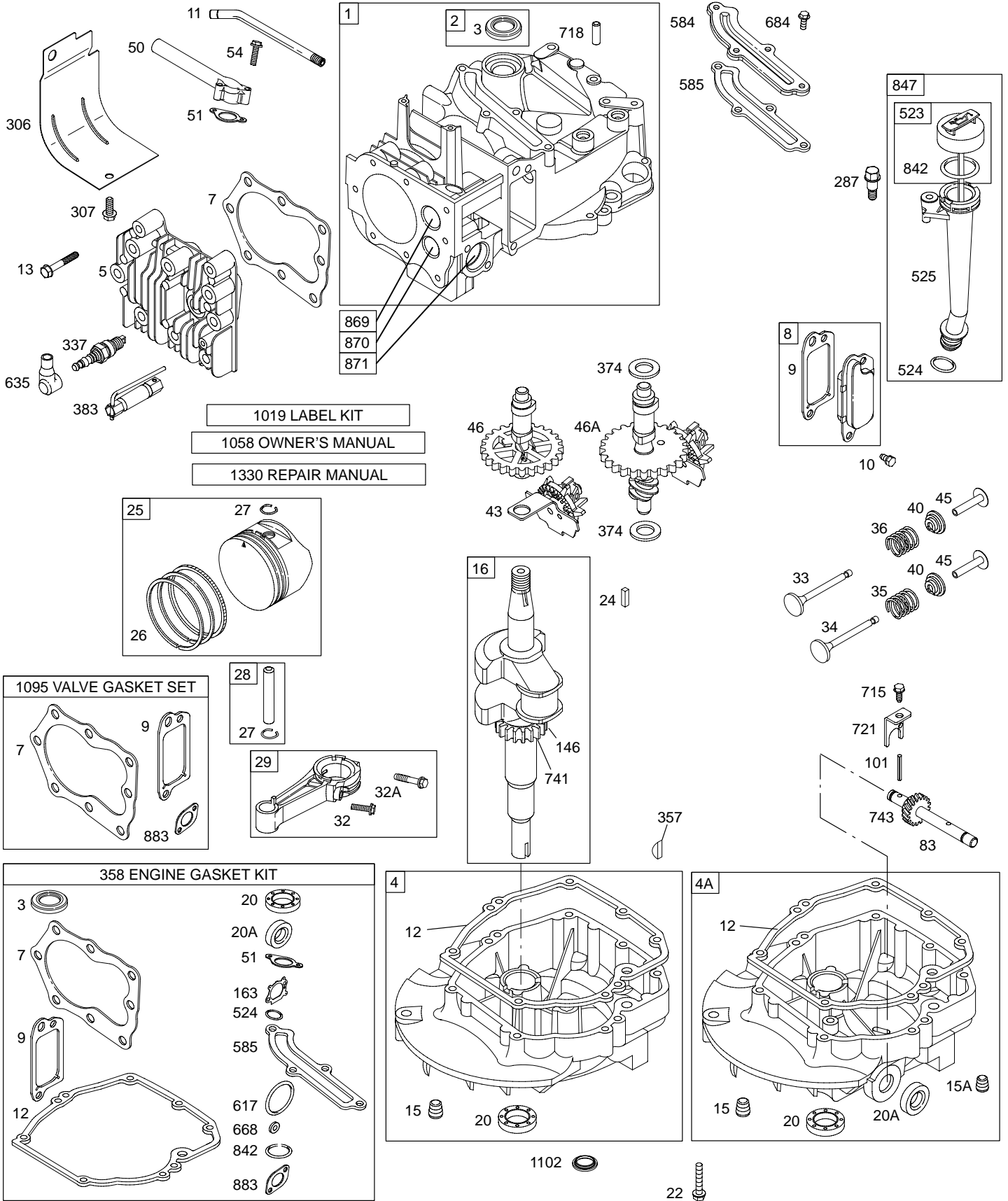
Alternator	8
Air Cleaner	4
Blower Housing/Shrouds	6
Camshaft	2
Carburetor	3
Controls	5
Crankshaft	2
Cylinder Group	2
Electric Starter	8
Electrical	8
Engine Sump	2
Exhaust Muffler	4
Flywheel	7
Flywheel Brake	8
Fuel Supply	5
Governor Spring	5
Ignition	8
Kits/Gaskets	2 & 3
Lubrication	2
Piston Group	2
Rewind Starter	7
Valves	2



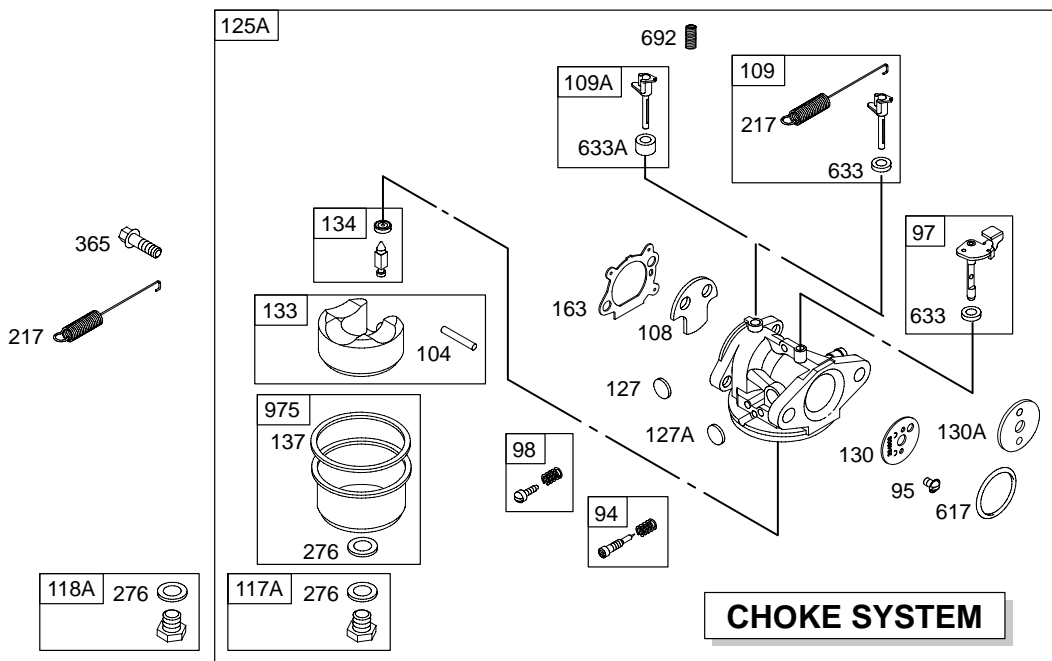
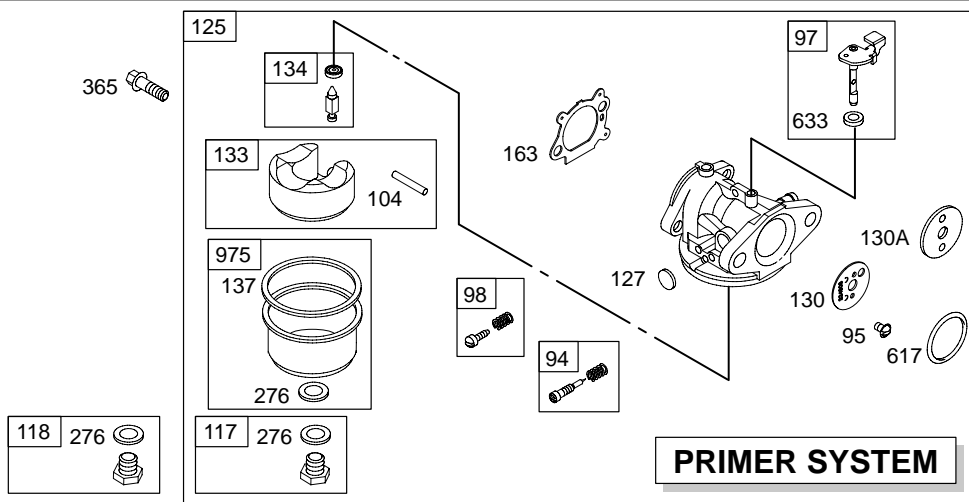
PRINTED IN U.S.A.

COPYRIGHT by BRIGGS & STRATTON CORPORATION
All rights reserved. No part of this material may be reproduced or transmitted, in any form or by any means, electronic or mechanical, including photocopying, recording or by any information storage and retrieval system, without permission in writing from Briggs & Stratton Corporation.

128800



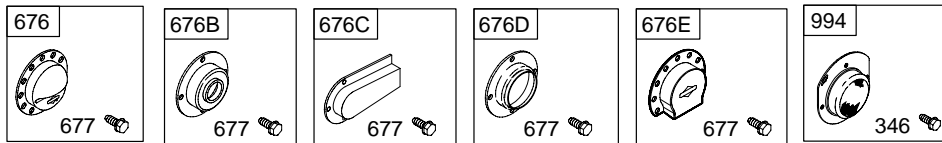
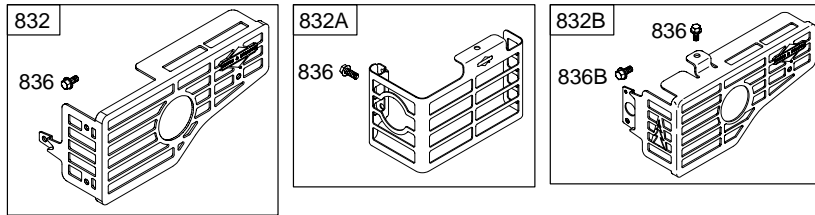
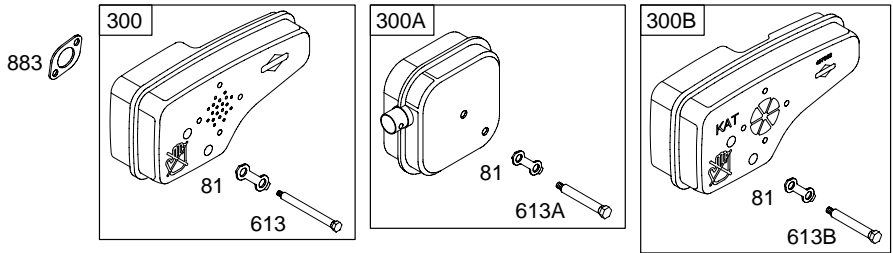
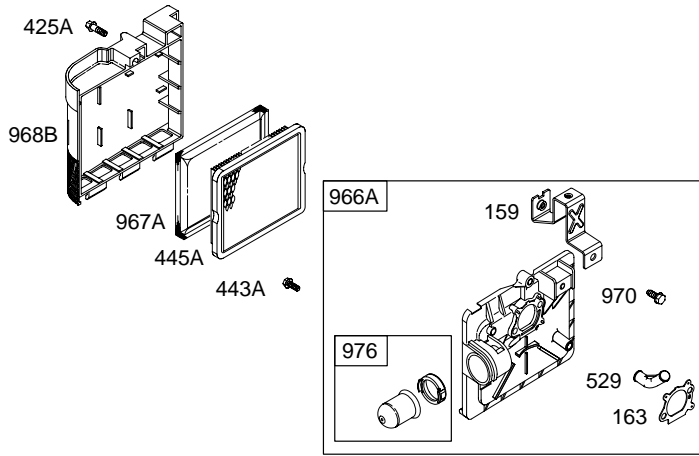
Illustrations cover a range of engines. Parts shown without corresponding text may not be used on your specific engine.
0546-2 Assemblies include all parts shown in frames. 09/20/2004



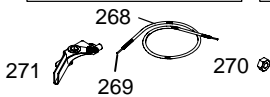
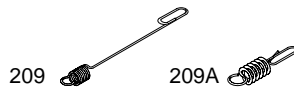
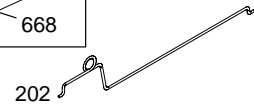
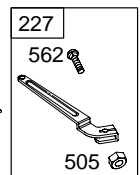
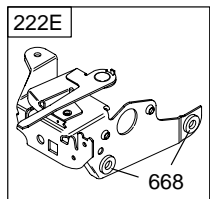
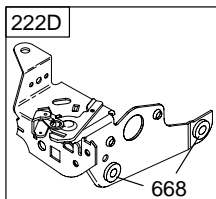
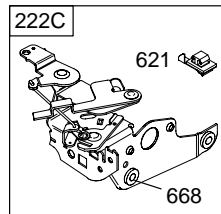
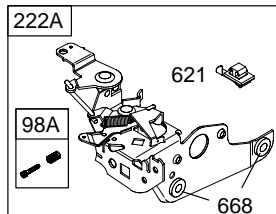
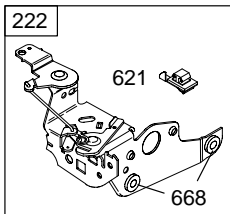
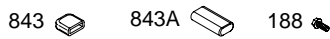
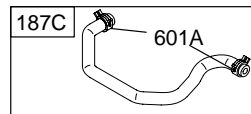
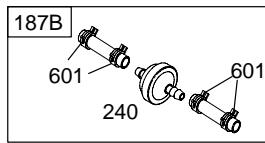
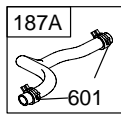
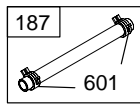
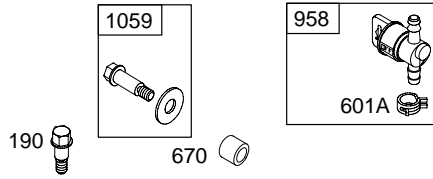
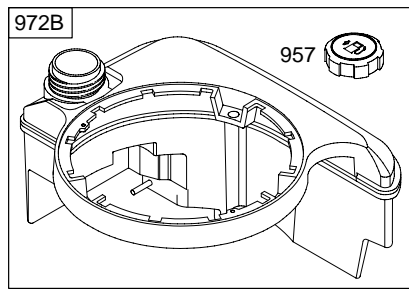
121 CARBURETOR OVERHAUL KIT		
94	134	276
104	137	617
127		633
127A	163	633A

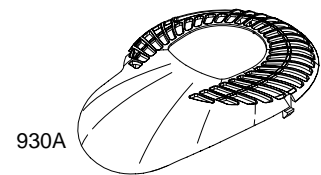
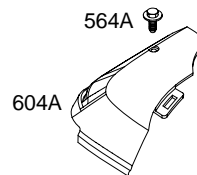
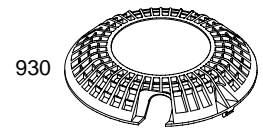
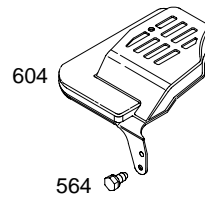
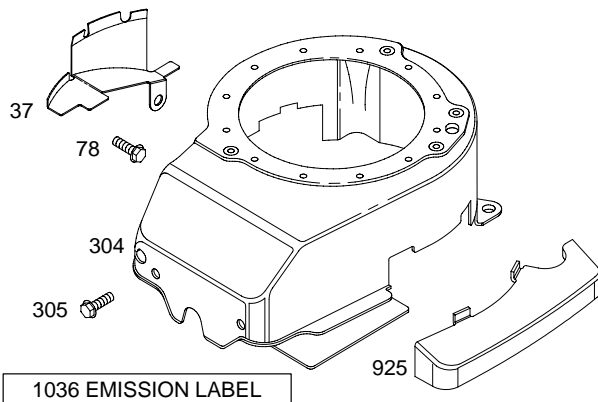
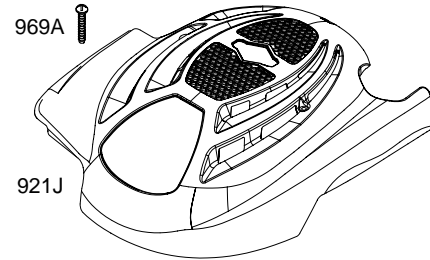
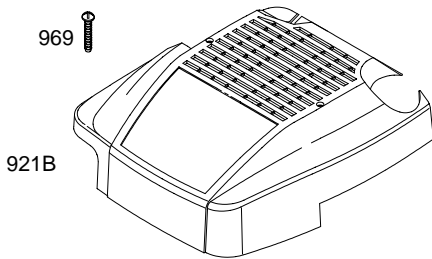
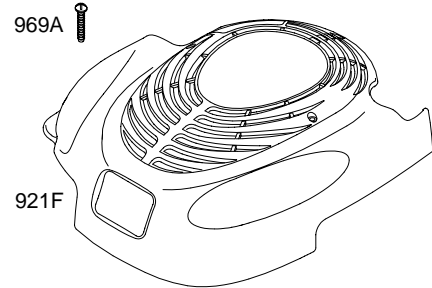
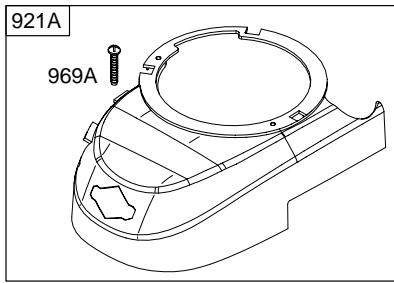
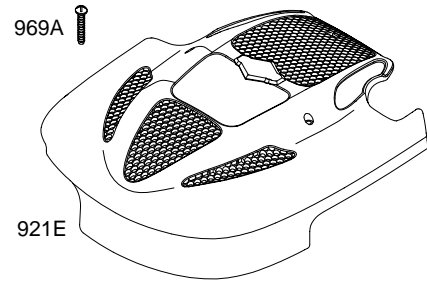
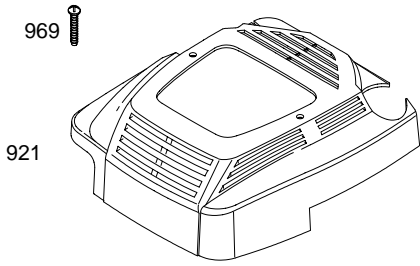
977 CARBURETOR GASKET SET		
137	276	633
163	617	633A

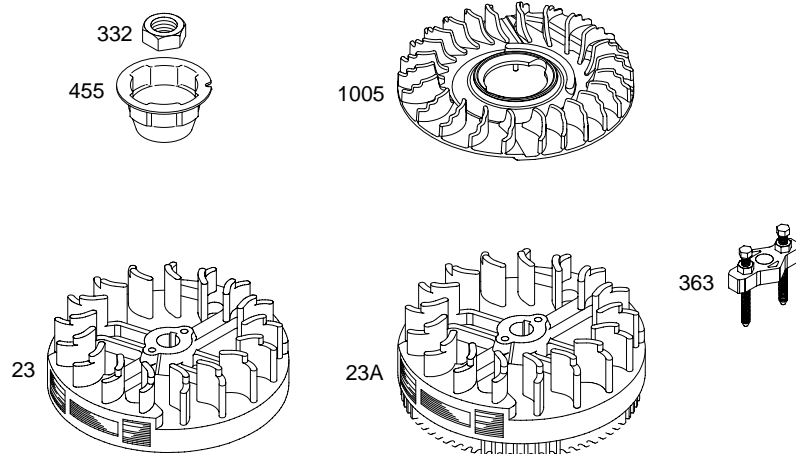
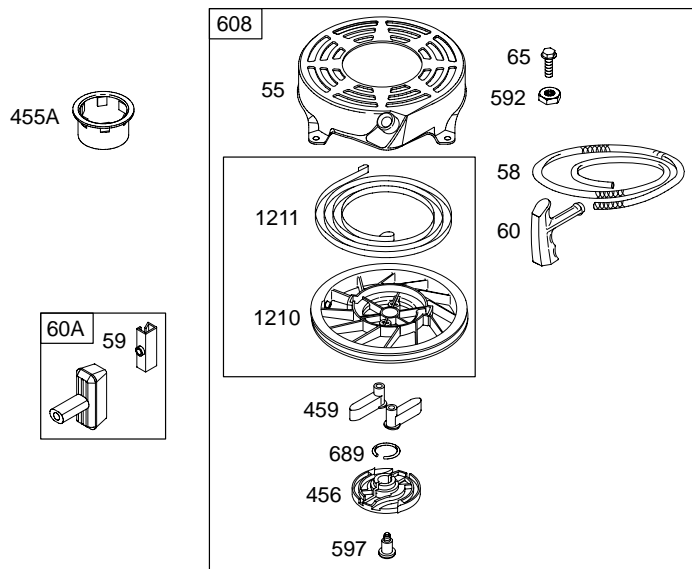
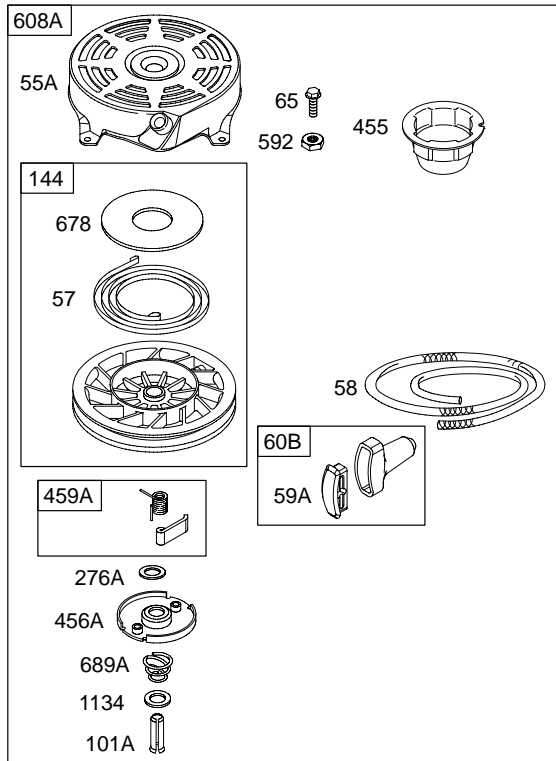
Illustrations cover a range of engines. Parts shown without corresponding text may not be used on your specific engine. 0546-3 Assemblies include all parts shown in frames. 09/20/2004



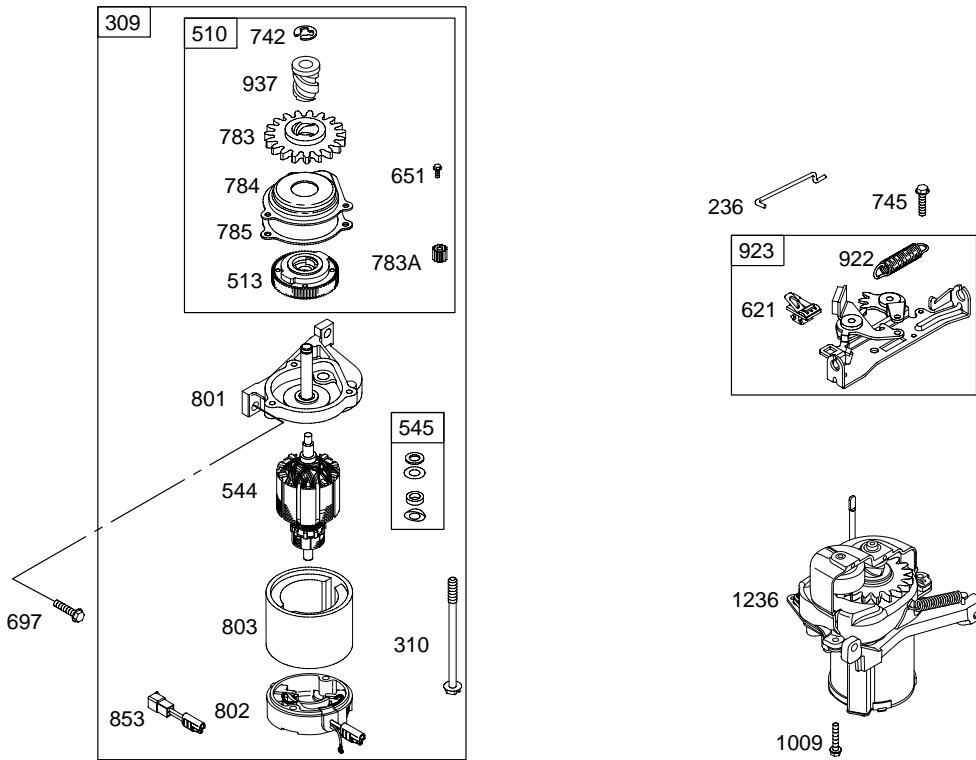
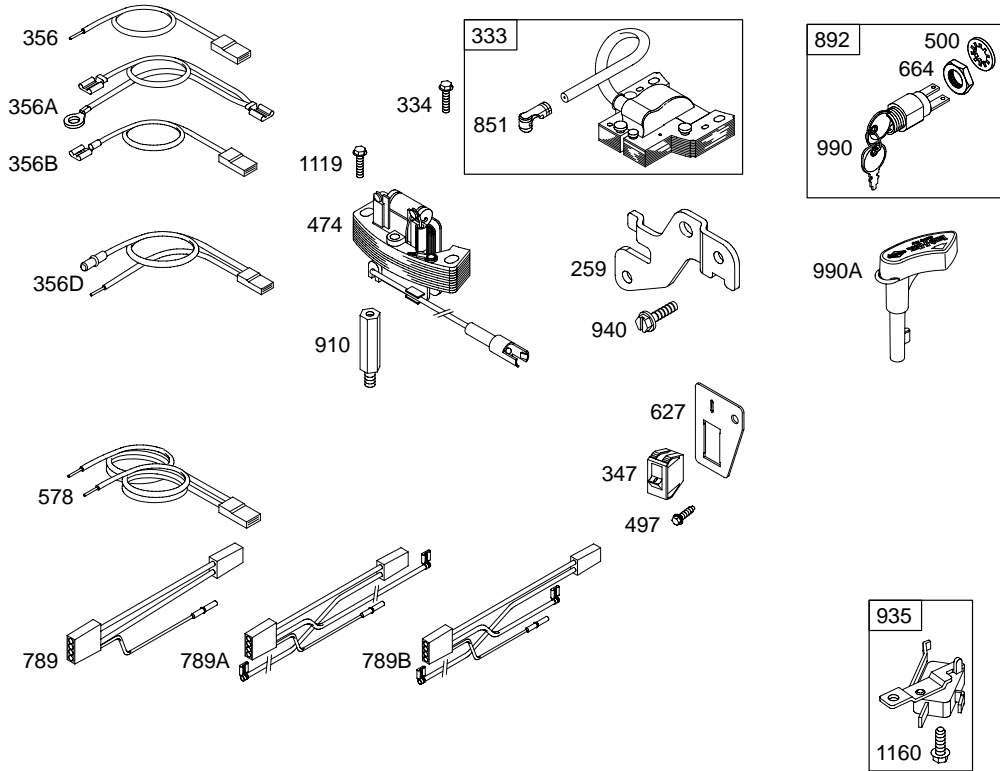
Illustrations cover a range of engines. Parts shown without corresponding text may not be used on your specific engine.
 0546-4 Assemblies include all parts shown in frames. 09/20/2004







Illustrations cover a range of engines. Parts shown without corresponding text may not be used on your specific engine.
 0546-7 Assemblies include all parts shown in frames. 09/20/2004



REF. NO.	PART NO.	DESCRIPTION	REF. NO.	PART NO.	DESCRIPTION	REF. NO.	PART NO.	DESCRIPTION
1	697322	Cylinder Assembly	5	691160	Head-Cylinder	12	*692232	Gasket-Crankcase
2	399269	Kit-Bushing/Seal	7	*∅692249	Gasket-Cylinder Head	13	690912	Screw
3	*299819	Seal-Oil (Magneto Side)	8	695250	Breather Assembly			(Cylinder Head)
4	493279	Sump-Engine	9	*∅272481	Gasket-Breather	15	691680	Plug-Oil Drain (Square Socket)
		Note	10	94650	Screw (Breather Assembly)	15A	691093	Plug-Oil Drain (Hex Socket)
		498983 Sump-Engine Used on Type No(s). 0807, 0839, 0888, 1192, 1907, 1910, 1939, 1961, 1977, 2007, 2011, 2016, 2040, 2392, 2393, 2394, 2626, 2644, 2681, 3112, 3132, 3134, 3170, 4305, 4605, 4905, 4906.	11	691781	Tube-Breather			
		696294 Sump-Engine Used on Type No(s). 1716, 1721, 1726, 1770, 1925, 1927, 1932, 1935, 1956, 1973, 1984, 1985, 2041, 2323.						
4A	493365	Sump-Engine (Auxiliary PTO)						

★ Included in Engine Gasket Set-Ref. No.358.

● Included in Carburetor Overhaul Kit-Ref. No. 121.

◆ Included in Carburetor Gasket Set-Ref. No. 977.

∅ Included in Valve Gasket Set-Ref. No 1095.

Illustrations cover a range of engines. Parts shown without corresponding text may not be used on your specific engine.

128800

REF. NO.	PART NO.	DESCRIPTION	REF. NO.	PART NO.	DESCRIPTION	REF. NO.	PART NO.	DESCRIPTION
16	691451	Crankshaft (Used After Code Date 97011200). Note 694442 Crankshaft (Used Before Code Date 97011300). 691450 Crankshaft (Used After Code Date 97011200). Used on Type No(s). 0600, 0808, 0819, 0851, 0861, 0863, 1108, 1111, 1112, 1113, 1114, 1119, 1121, 1122, 1123, 1183, 1508, 1535, 1537, 1700, 1908, 1935, 1951, 2039, 2311, 2312, 2319, 2608, 2631, 2633, 2646, 2625, 2676. 694440 Crankshaft (Used Before Code Date 97011300). Used on Type No(s). 0100, 0208, 0209, 0211, 0212, 0213, 0214, 0408, 0409, 0508, 0509, 0518, 0600, 0808, 0819, 0851, 0861, 0863, 1108, 1111, 1112, 1113, 1114, 1119, 1121, 1122, 1123, 1183, 1508, 1535, 1537. 691452 Crankshaft (Used After Code Date 97011200). Used on Type No(s). 0662, 0663, 0817, 0822, 0830, 0831, 0832, 0833, 0834, 0852, 0866, 0872, 0873, 0874, 0875, 0876, 0891, 0892, 0898, 0906, 0909, 0910, 0911, 0915, 1125, 1126, 1166, 1167, 1173, 1187, 1189, 1189, 1194, 1366, 1367, 1515, 1520, 1533, 1539, 1566, 1567, 1568, 1569, 1716, 1718, 1720,			1722, 1909, 1924, 1925, 1932, 1933, 1936, 1952, 1956, 1957, 1966, 1971, 1972, 1973, 1974, 1976. 1982, 1983, 1984, 1986, 1998, 2009, 2014, 2018, 2019, 2020, 2021, 2041, 2044, 2321, 2322, 2323, 2334, 2345, 2346, 2366, 2367, 2609, 2641, 2666, 2668, 2669, 2670, 3110, 3136, 3168, 3171. 694059 Crankshaft (Used Before Code Date 97011300). Used on Type No(s). 0266, 0273, 0411, 0462, 0466, 0467, 0512, 0514, 0515, 0517, 0520, 0523, 0528, 0531, 0817, 0822, 0830, 0831, 0832, 0852, 0866, 0872, 0873, 0874, 0875, 0876, 0891, 0898, 0909, 1125, 1126, 1166, 1167, 1173, 1187, 1189, 1194, 1366, 1367, 1515, 1520, 1533, 1539, 1566, 1567. 691454 Crankshaft (Used After Code Date 97011200). Used on Type No(s). 0264, 0284, 0826, 1536, 1926, 1954, 1955, 2022. 692000 Crankshaft (Used Before Code Date 97011300). Used on Type No(s). 0264, 0284, 0826. 691455 Crankshaft (Used After Code Date 97011200). Used on Type No(s). 0908, 1132, 1193, 1994, 2008, 2105, 2318, 2395, 3112, 3130, 3131.			691375 Crankshaft (Used Before Code Date 97011300). Used on Type No(s). 0908, 1132, 1193, 2105, 692980 Crankshaft (Used After Code Date 97011200). Used on Type No(s). 0615, 0658, 1715, 1758, 2010, 2333, 2920. 694443 Crankshaft (Used Before Code Date 97011300). Used on Type No(s). 0658, 2333. 691482 Crankshaft (Used After Code Date 97011200). Used on Type No(s). 0807, 0839, 0888, 1192, 1907, 1910, 1921, 1939, 1961, 1977, 2007, 2011, 2016, 2040, 2332, 2333, 2392, 2393, 2394, 2626, 2644, 2681, 3134, 4305, 4605, 4905, 4906. 694442 Crankshaft (Used Before Code Date 97011300). Used on Type No(s). 0807, 0839, 1192, 1910, 1921, 1961, 2332, 4305, 4605, 4905, 4906. 692717 Crankshaft Used on Type No(s). 3132, 3135, 3170. 696290 Crankshaft Used on Type No(s). 2325. 691373 Crankshaft Used on Type No(s). 0127, 0157.

★ Included in Engine Gasket Set—Ref. No.358.

● Included in Carburetor Overhaul Kit—Ref. No. 121.

◆ Included in Carburetor Gasket Set—Ref. No. 977.

⊘ Included in Valve Gasket Set—Ref. No 1095.

Illustrations cover a range of engines. Parts shown without corresponding text may not be used on your specific engine.

REF. NO.	PART NO.	DESCRIPTION	REF. NO.	PART NO.	DESCRIPTION	REF. NO.	PART NO.	DESCRIPTION
20	★399781	Seal–Oil (PTO Side)	25	790359	Piston Assembly (Standard) (Used After Code Date 04031400).	26	790360	Ring Set (Standard) (Used After Code Date 04031400).
20A	★691952	Seal–Oil (PTO Side) (Auxiliary PTO)			———— Note ————			———— Note ————
22	691092	Screw (Crankcase Cover/ Sump)		499429	Piston Assembly (Standard) (Used After Code Date 97011200 and Before Code Date 04031500).		499425	Ring Set (Standard) (Used After Code Date 97011200 and Before Code Date 04031500).
23	692315	Flywheel (Rewind Start)		493262	Piston Assembly (Standard) (Used Before Code Date 97011300).		493261	Ring Set (Standard) (Used Before Code Date 97011300).
23A	691987	Flywheel (Electric Start) Note 691992 Flywheel (Electric Start) Used on Type No(s). 0807, 0832, 0888, 0892, 0906, 0910, 0912, 1124, 1125, 1126, 1127, 1132, 1192, 1193, 1367, 1907, 1933, 1957, 1982, 1994, 2007, 2011, 2015, 2016, 2040, 2105, 2316, 2318, 2325, 2332, 2333, 2392, 2394, 2395, 2644, 2677, 2678, 2682, 3112, 3131, 3132, 3135, 3170. 696291 Flywheel (Electric Start) Used on Type No(s). 1716, 1721, 1726, 1769, 1925, 1927, 1932, 1935, 1956, 1984, 1985, 1986, 2041, 2323.		499430	Piston Assembly (.010" Oversize) (Used After Code Date 97011200).		499426	Ring Set (.010" Oversize) (Used After Code Date 97011200).
				493385	Piston Assembly (.010" Oversize) (Used Before Code Date 97011300).		493388	Ring Set (.010" Oversize) (Used Before Code Date 97011300).
				499431	Piston Assembly (.020" Oversize) (Used After Code Date 97011200).		499427	Ring Set (.020" Oversize) (Used After Code Date 97011200).
				493386	Piston Assembly (.020" Oversize) (Used Before Code Date 97011300).		493389	Ring Set (.020" Oversize) (Used Before Code Date 97011300).
24	222698	Key–Flywheel		499432	Piston Assembly (.030" Oversize) (Used After Code Date 97011200).		499428	Ring Set (.030" Oversize) (Used After Code Date 97011200).
				493387	Piston Assembly (.030" Oversize) (Used Before Code Date 97011300).		493390	Ring Set (.030" Oversize) (Used Before Code Date 97011300).

★ Included in Engine Gasket Set–Ref. No.358.

● Included in Carburetor Overhaul Kit–Ref. No. 121.

◆ Included in Carburetor Gasket Set–Ref. No. 977.

⊘ Included in Valve Gasket Set–Ref. No 1095.

Illustrations cover a range of engines. Parts shown without corresponding text may not be used on your specific engine.

128800

REF. NO.	PART NO.	DESCRIPTION	REF. NO.	PART NO.	DESCRIPTION	REF. NO.	PART NO.	DESCRIPTION
27	691866	Lock–Piston Pin (Used After Code Date 97011200). ———— Note ———— 691588 Lock–Piston Pin (Used Before Code Date 97011300).	37	694086	Guard–Flywheel	50	497465	Manifold–Intake
28	499423	Pin–Piston (Standard) (Used After Code Date 97011200). ———— Note ———— 298909 Pin–Piston (Standard) (Used Before Code Date 97011300). 298908 Pin–Piston (.005" Oversize) (Used Before Code Date 97011300).	40	692194	Retainer–Valve	51	*272199	Gasket–Intake
29	499424	Rod–Connecting (Standard) (Used After Code Date 97011200). ———— Note ———— 490566 Rod–Connecting (Standard) (Used Before Code Date 97011300). 490743 Rod–Connecting (.020" Undersize) (Used Before Code Date 97011300).	43	691997	Slinger–Governor/Oil ———— Note ———— 691486 Slinger–Governor/Oil Used on Type No(s). 0807, 0839, 0888, 1192, 1907, 1910, 1939, 1961, 1977, 2016, 2040, 2332, 2333, 2392, 2393, 2394, 2626, 2644, 3132, 3170, 4305, 4605, 4905, 4906.	54	691650	Screw (Intake Manifold)
32	691664	Screw (Connecting Rod)	45	690548	Tappet–Valve	55	691421	Housing–Rewind Starter
32A	695759	Screw (Connecting Rod) (Used After Code Date 00042200).	46	691449	Camshaft (Used After Code Date 96060200). ———— Note ———— 492830 Camshaft (Used Before Code Date 96060300).	55A	492831	Housing–Rewind Starter
33	262651	Valve–Exhaust	46A	691459	Camshaft (Counterclockwise) Used on Type No(s). 0625, 0632, 0659, 0668, 0821, 0823, 0853, 0893, 0905, 1125, 1126, 1175, 1176, 1188, 1191, 1725, 1732, 1762, 1768, 1953, 1954, 1979, 1993, 2005, 2388, 2391, 2396, 2398, 3131, 3172. 493738 Camshaft (Counterclockwise) (Used Before Code Date 96060300). Used on Type No(s). 0821, 0823, 0893, 0905, 1125, 1126, 1175, 1176.	57	491889	Spring–Rewind Starter
34	262652	Valve–Intake				58	280399	Rope–Starter (Cut To Required Length)
35	691270	Spring–Valve (Intake)				59	396892	Insert–Grip
36	691270	Spring–Valve (Exhaust)				59A	692594	Insert–Grip
						60	281434	Grip–Starter Rope (Pistol Grip)
						60A	393152	Grip–Starter Rope (2 Piece)
						60B	494212	Grip–Starter Rope
						65	690837	Screw (Rewind Starter)
						78	691108	Screw (Flywheel Guard)
						81	691740	Lock–Muffler Screw

★ Included in Engine Gasket Set–Ref. No.358.

● Included in Carburetor Overhaul Kit–Ref. No. 121.

◆ Included in Carburetor Gasket Set–Ref. No. 977.

⊘ Included in Valve Gasket Set–Ref. No 1095.

Illustrations cover a range of engines. Parts shown without corresponding text may not be used on your specific engine.

0546–12

Assemblies include all parts shown in frames.

09/20/2004

REF. NO.	PART NO.	DESCRIPTION	REF. NO.	PART NO.	DESCRIPTION	REF. NO.	PART NO.	DESCRIPTION
83	691778	Shaft–Auxiliary Drive Note 690521 Shaft–Auxiliary Drive Used on Type No(s). 0850, 0893, 0905, 1993, 2005. 690527 Shaft–Auxiliary Drive Used on Type No(s). 0668, 1188, 1191, 1762, 1768, 2391, 2388, 3131. 690522 Shaft–Auxiliary Drive Used on Type No(s). 2397.	117	494870	Jet–Main (Standard) (Used After Code Date 96060200). Note 497466 Jet–Main (Standard) (Used After Code Date 95102900 and Before Code Date 96060300). 494870 Jet–Main Standard (Used After Code Date 94070300 and Before Code Date 95103000). 493637 Jet–Main (Standard) (Used Before Code Date 94070400).	118	497315	Jet–Main (High Altitude) (Used After Code Date 96060200). Note 496495 Jet–Main (High Altitude) (Used After Code Date 95102900 and Before Code Date 96060300). 497315 Jet–Main High Altitude (Used After Code Date 94070300 and Before Code Date 95103000). 496063 Jet–Main High Altitude (Used Before Code Date 94070400).
94	●493765	Kit–Idle Mixture	117A	498977	Jet–Main (Standard) (Used After Code Date 96060200). Note 493637 Jet–Main (Standard) (Used Before Code Date 96060300). 498978 Jet–Main (Standard) Used on Type No(s). 0807, 0839, 0888, 1192, 1907, 1910, 1921, 1939, 1961, 1977, 2007, 2011, 2040, 2318, 2325, 2332, 2333, 2392, 2393, 2394, 2395, 2626, 2644, 2681, 3112, 3132, 3134, 3135, 3170, 4305, 4605, 4905, 4906.	118A	498981	Jet–Main (High Altitude) (Used After Code Date 96060200). Note 494870 Jet–Main (High Altitude) (Used Before Code Date 96060300). 498975 Jet–Main (High Altitude) Used on Type No(s). 0807, 0839, 0888, 1192, 1907, 1910, 1921, 1939, 1961, 1977, 2007, 2011, 2040, 2318, 2325, 2332, 2333, 2392, 2393, 2394, 2395, 2626, 2644, 2681, 3112, 3132, 3134, 3135, 3170, 4305, 4605, 4905, 4906.
95	691636	Screw (Throttle Valve)						
97	493267	Shaft–Throttle Note 696565 Shaft–Throttle (Primer System) (Used After Code Date 01040800).						
98	398185	Kit–Idle Speed						
98A	493280	Kit–Idle Speed						
101	691623	Pin–Shaft						
101A	262626	Pin–Shaft						
104	●691242	Pin–Float Hinge						
108	691182	Valve–Choke						
109	494218	Shaft–Choke						
109A	498593	Shaft–Choke						

★ Included in Engine Gasket Set–Ref. No.358.

● Included in Carburetor Overhaul Kit–Ref. No. 121.

◆ Included in Carburetor Gasket Set–Ref. No. 977.

⊘ Included in Valve Gasket Set–Ref. No 1095.

Illustrations cover a range of engines. Parts shown without corresponding text may not be used on your specific engine.

128800

REF. NO.	PART NO.	DESCRIPTION	REF. NO.	PART NO.	DESCRIPTION	REF. NO.	PART NO.	DESCRIPTION
121	498260	Kit-Carburetor Overhaul	127	●694468	Plug-Welch (3/8" Diameter)	187	691050	Line-Fuel (15" Long)(Cut To Required Length)
125	498170	Carburetor (Primer System) (Used After Code Date 96060200).	127A	●691739	Plug-Welch (5/16" Diameter)			———— Note ———
		———— Note ———	130	691203	Valve-Throttle			296004 Line-Fuel (23" Long)(Cut to Required Length) Used on Type No(s). 2105.
		498254 Carburetor (Primer System) (Used Before Code Date 96060300).			———— Note ———	187A	691371	Line-Fuel (Molded)
125A	498965	Carburetor (Choke System) (Used After Code Date 96060200).	130A	691181	Valve-Throttle	187B	692042	Line-Fuel (Includes Filter) (1 1/3" And 5/8" Long) (Cut To Required Length)
		———— Note ———	133	398187	Float-Carburetor			187C 696292 Line-Fuel (Molded)
		497501 Carburetor (Choke System) (Used Before Code Date 96060300).	134	●398188	Kit-Needle/Seat	188	690877	Screw (Control Bracket)
		499059 Carburetor (Choke System) Used on Type No(s). 0807, 0839, 0888, 1192, 1907, 1910, 1921, 1939, 1961, 1977, 2007, 2011, 2040, 2318, 2325, 2332, 2333, 2392, 2393, 2394, 2395, 2626, 2644, 2681, 3112, 3132, 3134, 3135, 3170, 4305, 4605, 4905, 4906.	137	◆693981	Gasket-Float Bowl	190	690940	Screw (Fuel Tank)
			144	493824	Pulley/Spring Assembly	202	691829	Link-Mechanical Governor
			146	690979	Key-Timing			
			159	691753	Bracket-Air Cleaner Primer			
			163	★◆272653	Gasket-Air Cleaner			

★ Included in Engine Gasket Set-Ref. No.358.

● Included in Carburetor Overhaul Kit-Ref. No. 121.

◆ Included in Carburetor Gasket Set-Ref. No. 977.

∅ Included in Valve Gasket Set-Ref. No 1095.

Illustrations cover a range of engines. Parts shown without corresponding text may not be used on your specific engine.

REF. NO.	PART NO.	DESCRIPTION	REF. NO.	PART NO.	DESCRIPTION	REF. NO.	PART NO.	DESCRIPTION
209	691292	Spring–Governor <div style="text-align: center;">———— Note ————</div> 691290 Spring–Governor Used on Type No(s). 2318. 691291 Spring–Governor Used on Type No(s). 1994, 2015, 2022, 2105, 2325, 2395, 3112, 3132, 3135, 3170. 691851 Spring–Governor Used on Type No(s). 0819, 0861, 1111, 1112, 1119, 1515, 1533, 2311, 2312, 2319, 2676, 3113, 3168. 699056 Spring–Governor Used on Type No(s). 0600, 0625, 0627, 0628, 0632, 0657, 0659, 0668, 0808, 0829, 0830, 0840, 0872, 0889, 0890, 0893, 0898, 0905, 0908, 1108, 1115, 1128, 1130, 1188, 1191, 1508, 1519, 1520, 1521, 1522, 1534, 1538, 1539, 1542, 1572, 1700, 1725, 1727, 1732, 1757, 1762, 1768, 1908, 1929, 1933, 1940, 1974, 1979, 1990, 1993, 1998, 2005, 2008, 2308, 2315, 2328, 2344, 2388, 2391, 2608, 2630, 2642, 2915, 2920, 3131.			691852 Spring–Governor Used on Type No(s). 0662, 0663, 1325, 1326, 1544, 1575, 1718, 1720, 1721, 1722, 1912, 1913, 1924, 1925, 1927, 1932, 1935, 1983, 1985, 2020, 2041, 2321, 2322, 2323, 2346, 2367, 2628, 2630, 2632, 2635, 2636, 2669, 2670, 2677, 2678, 2682, 3131. 691864 Spring–Governor Used on Type No(s). 1910, 1961, 2332, 2333, 2393, 2395, 2626, 4305, 4605, 4905, 4906. 690242 Spring–Governor Used on Type No(s). 0807, 0839, 0888, 1192, 1921, 2392, 2394. 690241 Spring–Governor Used on Type No(s). 0807, 0839, 0888, 1192, 1907, 1921, 1977, 2007, 2011, 2016, 2040, 2394, 2681, 3134.	209A	691835	Spring–Governor <div style="text-align: center;">———— Note ————</div> 690568 Spring–Governor Used on Type No(s). 0832, 1132, 1193. 691275 Spring–Governor Used on Type No(s). 0211, 0212, 0515, 0531. 262659 Spring–Governor Used on Type No(s). 0100, 0127, 0157, 0208, 0408, 0410, 0508, 0514. 262662 Spring–Governor Used on Type No(s). 0213, 0214. 691833 Spring–Governor Used on Type No(s). 0818, 0835. 691834 Spring–Governor Used on Type No(s). 0411, 0412, 0519, 0520, 0521, 0522, 0525, 1525. 690569 Spring–Governor Used on Type No(s). 0815, 0912. 693187 Spring–Governor Used on Type No(s). 2318.

★ Included in Engine Gasket Set–Ref. No.358.
 ● Included in Carburetor Overhaul Kit–Ref. No. 121.

◆ Included in Carburetor Gasket Set–Ref. No. 977.
 ∅ Included in Valve Gasket Set–Ref. No 1095.

Illustrations cover a range of engines. Parts shown without corresponding text may not be used on your specific engine.

0546–15 Assemblies include all parts shown in frames. **09/20/2004**

128800

REF. NO.	PART NO.	DESCRIPTION	REF. NO.	PART NO.	DESCRIPTION	REF. NO.	PART NO.	DESCRIPTION
217	690354	Spring—Choke Return	269	691026	Wire—Control (78" Long)(Cut to Required Length)	307	690345	Screw (Cylinder Shield)
222	692031	Bracket—Control (Remote/Manual Friction)(Primer)			————— Note —————	309	695550	Motor—Starter
222A	692021	Bracket—Control (Remote Choke A Matic, Non Compliance)		691589	Wire—Control (54" Long)(Cut to Required Length)	310	692327	Bolt (Starter Motor)
		————— Note —————	270	691027	Nut (Control Wire Casing)	332	690662	Nut (Flywheel)
		690839 Bracket—Control (Manual Friction) (Choke A Matic) Used on Type No(s). 1132, 1193.	271	691028	Lever—Control	333	802574	Armature—Magneto
222C	692150	Bracket—Control	276 ◆	271716	Washer—Sealing	334	691061	Screw (Magneto Armature)
222D	692467	Bracket—Control (Remote/Manual Friction)(Variable Speed, and 5 Position Manual Choke Without Stopswitch)	276A	280973	Washer—Sealing	337	802592	Plug—Spark (Resistor)
222E	692982	Bracket—Control (Fixed Speed, and 5 Position Manual Choke)	287	690940	Screw (Dipstick Tube)			————— Note —————
227	690783	Lever—Governor Control	300	496106	Muffler (Tuned)			697451 Plug—Spark (EMS)
236	691826	Link—Lockout	300A	494343	Muffler (Square Lo Tone)	346	690661	Screw (Spark Arrestor)
240	298090	Filter—Fuel	300B	497681	Muffler (Catalyst)	347	691396	Switch—Rocker
259	691223	Bracket—Casing Clamp	304	493293	Housing—Blower (Used on Engines With Band Brake)	356	692390	Wire—Stop
265	690798	Clamp—Casing			————— Note —————	356A	690650	Wire—Stop
265A	691024	Clamp—Casing		493294	Housing—Blower (Used on Engines Without Band Brake)	356B	693010	Wire—Stop
267	691044	Screw (Casing Clamp)		696298	Housing—Blower (Used on Type No(s). 1716, 1721, 1726, 1769, 1925, 1927, 1932, 1935, 1956, 1973, 1984, 1985, 1986, 2041, 2323.)	356D	496381	Wire—Stop
268	691025	Casing—Control Wire (72 Long)(Cut to Required Length)		695892	Housing—Blower (Used on Type No(s). 1908, 1971, 2308.)	357	695867	Key—Drive Pulley
		————— Note —————				358	497316	Gasket Set—Engine
		691072 Casing—Control Wire (48 Long)(Cut to Required Length)	305	691108	Screw (Blower Housing)	363	19069	Flywheel Puller
			306	690450	Shield—Cylinder	365	692524	Screw (Carburetor)
						374	691074	Washer (Camshaft)
						383	89838	Wrench—Spark Plug
						404	690272	Washer (Governor Crank)
						425A	690670	Screw (Air Cleaner Cover)
						443A	692523	Screw (Air Cleaner Primer Base)
						445A	491588	Filter—Air Cleaner Cartridge
						455	695161	Cup—Flywheel
						455A	224250	Cup—Flywheel
						456	692299	Plate—Pawl Friction
						456A	224321	Plate—Pawl Friction

★ Included in Engine Gasket Set—Ref. No.358.

● Included in Carburetor Overhaul Kit—Ref. No. 121.

◆ Included in Carburetor Gasket Set—Ref. No. 977.

∅ Included in Valve Gasket Set—Ref. No 1095.

Illustrations cover a range of engines. Parts shown without corresponding text may not be used on your specific engine.

REF. NO.	PART NO.	DESCRIPTION	REF. NO.	PART NO.	DESCRIPTION	REF. NO.	PART NO.	DESCRIPTION
459	281505	Pawl-Ratchet	613	691340	Screw (Muffler)	677	690661	Screw (Muffler Deflector)
459A	492833	Pawl-Ratchet	613A	691653	Screw (Muffler)	678	224278	Spacer-Rewind
474	691991	Alternator	613B	691114	Screw (Muffler)	684	690345	Screw (Breather Passage Cover)
497	690664	Screw (Stopswitch Bracket)	615	690340	Retainer-Governor Shaft	689	691855	Spring-Friction
500	691086	Washer (Key Switch)	616	698801	Crank-Governor	689A	262625	Spring-Friction
505	691251	Nut (Governor Control Lever)	617★◆	270344	Seal-O Ring (Intake Manifold)	692	690572	Spring-Detent
510	494147	Drive-Starter	621	692310	Switch-Stop	697	691127	Screw (Drive Cap)
513	692358	Drive-Clutch	627	692872	Bracket-Stop Switch	715	691147	Screw (Stop Shaft)
523	495264	Dipstick	633◆◆	691321	Seal-Choke/Throttle Shaft (Throttle Shaft)	718	690959	Pin-Locating
524	★692296	Seal-Dipstick Tube	633A◆◆	693867	Seal-Choke/Throttle Shaft (Choke)	721	690449	Stop-Shaft
525	495265	Tube-Dipstick	635	66538	Boot-Spark Plug	741	790345	Gear-Timing (Use Without Woodruff Key)
529	691923	Grommet	651	691660	Screw (Starter Gear Cover)	————— Note —————		
544	690786	Armature-Starter	664	691087	Nut (Key Switch)	742	93941	Retainer-E Ring
545	492919	Washer Set (Starter Motor)	668	★493823	Spacer (Includes 2)	743	691772	Gear-Drive (Counterclockwise)
562	691119	Bolt (Governor Control Lever)	670	692294	Spacer-Fuel Tank	————— Note —————		
564	690664	Screw (Control Cover)	676	396548	Deflector-Muffler (Single Louver)	690516		Gear-Drive (Clockwise) Used on Type No(s). 1955.
564A	691142	Screw (Control Cover)	676B	397931	Deflector-Muffler (Direct Out) (3/4" Diameter)	745	691648	Screw (Brake)
578	398153	Wire Assembly	676C	493871	Deflector-Muffler (Side Out) (Extended) (17/32" Deep)	783	691918	Gear-Pinion (Starter Drive) (19 Teeth)
584	697734	Cover-Breather Passage	676D	497682	Deflector-Muffler (Direct Out) (1 3/16" Diameter)	783A	691269	Gear-Pinion (12 Teeth)
585	★691879	Gasket-Breather Passage	676E	393760	Deflector-Muffler (Side Out) (7/16" Deep)	784	692341	Cover-Starter Gear
592	690800	Nut (Rewind Starter)				785	692352	Gasket-Starter Cover
597	691696	Screw (Pawl Friction Plate)						
601	95162	Clamp-Hose (Green)						
601A	691038	Clamp-Hose (Black)						
604	691757	Cover-Control						
604A	691344	Cover-Control						
608	497680	Starter-Rewind						
608A	497598	Starter-Rewind						

★ Included in Engine Gasket Set-Ref. No.358.

● Included in Carburetor Overhaul Kit-Ref. No. 121.

◆ Included in Carburetor Gasket Set-Ref. No. 977.

∅ Included in Valve Gasket Set-Ref. No 1095.

Illustrations cover a range of engines. Parts shown without corresponding text may not be used on your specific engine.

128800

REF. NO.	PART NO.	DESCRIPTION	REF. NO.	PART NO.	DESCRIPTION	REF. NO.	PART NO.	DESCRIPTION
789	695551	Harness—Wiring (Used After Code Date 00040600)	843	691884	Sleeve—Lever (Speed Control)	935	499421	Switch—Interlock
		Note _____	843A	691895	Sleeve—Lever (Choke)	937	691325	Spline—Starter
		690790 Harness—Wiring (Used Before Code Date 00040700)	847	692017	Dipstick/Tube Assembly	940	690664	Screw (Casing Clamp Bracket)
789A	691372	Harness—Wiring (Used Before Code Date 00040700)	851	493880	Terminal—Spark Plug	957	397974	Cap—Fuel Tank (Plastic)
789B	696547	Harness—Wiring	853	695268	Adapter—Wire	958	698183	Valve—Fuel Shut Off (Plastic)
801	690782	Cap—Drive	869	691155	Seat—Valve (Intake)	966A	496116	Base—Air Cleaner Primer
802	695267	Cap—End (Used After Code Date 00040600).	870	690380	Seat—Valve (Exhaust)	967A	493537	Filter—Pre Cleaner
		Note _____	871	262001	Bushing—Valve Guide (Exhaust)	968B	692298	Cover—Air Cleaner
		695975 Cap—End (Used Before Code Date 00040700).			Note _____	969	690700	Screw (Blower Housing Cover)
803	695266	Housing—Starter (Used After Code Date 00040600).			63709 Bushing—Valve Guide (Intake)	969A	691138	Screw (Blower Housing Cover)
		Note _____	883	★∅691881	Gasket—Exhaust	970	691669	Screw (Air Cleaner Primer Bracket)
		695975 Housing—Starter (Used Before Code Date 00040700).	892	690646	Switch—Key	972B	693377	Tank—Fuel (Plastic)
832	499034	Guard—Muffler (Super Lo Tone Tuned)	910	691094	Stud (Alternator)			Note _____
832A	691424	Guard—Muffler (Square Lo Tone)	921	497233	Cover—Blower Housing			695960 Tank—Fuel (Plastic)
832B	497683	Guard—Muffler (Super Lo Tone Catalyst)	921A	695886	Cover—Blower Housing			Used on Type No(s). 1716, 1721, 1726, 1769, 1770, 1925, 1927, 1932, 1935, 1956, 1973, 1984, 1985, 1986, 2041, 2323.
836	690664	Screw (Muffler Guard)	921B	692931	Cover—Blower Housing			
836B	690661	Screw (Muffler Guard)	921E	696262	Cover—Blower Housing			
842	★691031	Seal—O Ring (Dipstick Tube)	921F	697343	Cover—Blower Housing			
			921J	790036	Cover—Blower Housing			
			922	691831	Spring—Brake			
					Note _____			
					692135 Spring—Brake Used on Type No(s). 1908, 1971, 2308.			
			923	691994	Brake			
					Note _____			
					695891 Brake Used on Type No(s). 1908, 1971, 2308.	975	493640	Bowl—Float
			925	690595	Cover—Linkage	976	694395	Primer—Carburetor
			930	691919	Guard—Rewind (Round)	977	498261	Gasket Set—Carburetor
			930A	691345	Guard—Rewind (Teardrop)	990	691959	Key Set
						990A	695951	Key Set
						994	398067	Arrestor—Spark

★ Included in Engine Gasket Set—Ref. No.358.

● Included in Carburetor Overhaul Kit—Ref. No. 121.

◆ Included in Carburetor Gasket Set—Ref. No. 977.

∅ Included in Valve Gasket Set—Ref. No 1095.

Illustrations cover a range of engines. Parts shown without corresponding text may not be used on your specific engine.

REF. NO.	PART NO.	DESCRIPTION	REF. NO.	PART NO.	DESCRIPTION	REF. NO.	PART NO.	DESCRIPTION
1009	696255	Screw (Starter Motor)	1058	275177	Manual–Owner's	1119	691648	Screw (Alternator)
1005	691346	Fan–Flywheel	1059	692311	Kit–Screw/Washer	1134	224322	Washer (Pawl Friction Plate)
1019	494256	Kit–Label			Note	1160	691627	Screw (Interlock Switch)
		Note			696293 Kit–Screw/ Washer	1210	498144	Pulley/Spring Assembly (Pulley)
		790231 Kit–Label (Touch N Mow)			Used on Type No(s). 1716, 1721, 1726, 1769, 1770, 1925, 1927, 1932, 1935, 1956, 1973, 1984, 1985, 1986, 2041, 2323.	1211	498144	Pulley/Spring Assembly (Spring)
1036	790412	Label–Emission (Used After Code Date 04063000).	1095	498528	Gasket Set–Valve	1236	695959	Starter–Mechanical (Touch N Mow) (Do Not Service Individual Parts, Only As A Whole)
		Note	1102	691255	Pilot–Guide Used on Type No(s). 0807, 0839, 0888, 1192, 1907, 1910, 1939, 1977, 2007. 2011, 2016, 2040, 2392, 2394, 2644, 2681, 3134, 3170, 4305, 4605, 4905, 4906.			Note
		695111 Label– Emission (Used After Code Date 99093000 and Before Code Date 04070100).			Note			699914 Starter–Me- chanical (Touch N Mow) (Do Not Service Individual Parts, Only As A Whole) Used on Type No(s). 1769, 1986, 2041.
		694458 Label– Emission (Used After Code Date 98123100 and Before Code Date 99100100).			691266 Pilot–Guide Used on Type No(s). 1910, 1961, 2393, 2626, 3132.	1330	270962	Manual–Repair
		499341 Label– Emissions (Used After Code Date 97052500 and Before Code Date 99010100).						
		499340 Label– Emissions (Used Before Code Date 97052600).						
		790413 Label– Emission (Used On Engines With D1 Trim) (Used After Code Date 04063000).						
		697378 Label– Emission (Used On Engines With D1 Trim) (Used Before Code Date 04070100).						

★ Included in Engine Gasket Set–Ref. No.358.

● Included in Carburetor Overhaul Kit–Ref. No. 121.

◆ Included in Carburetor Gasket Set–Ref. No. 977.

⊘ Included in Valve Gasket Set–Ref. No 1095.

Illustrations cover a range of engines. Parts shown without corresponding text may not be used on your specific engine.