



Illustrated Parts List

Model Series

12F800

TYPE NUMBERS
0600 through 3511.

TABLE OF CONTENTS

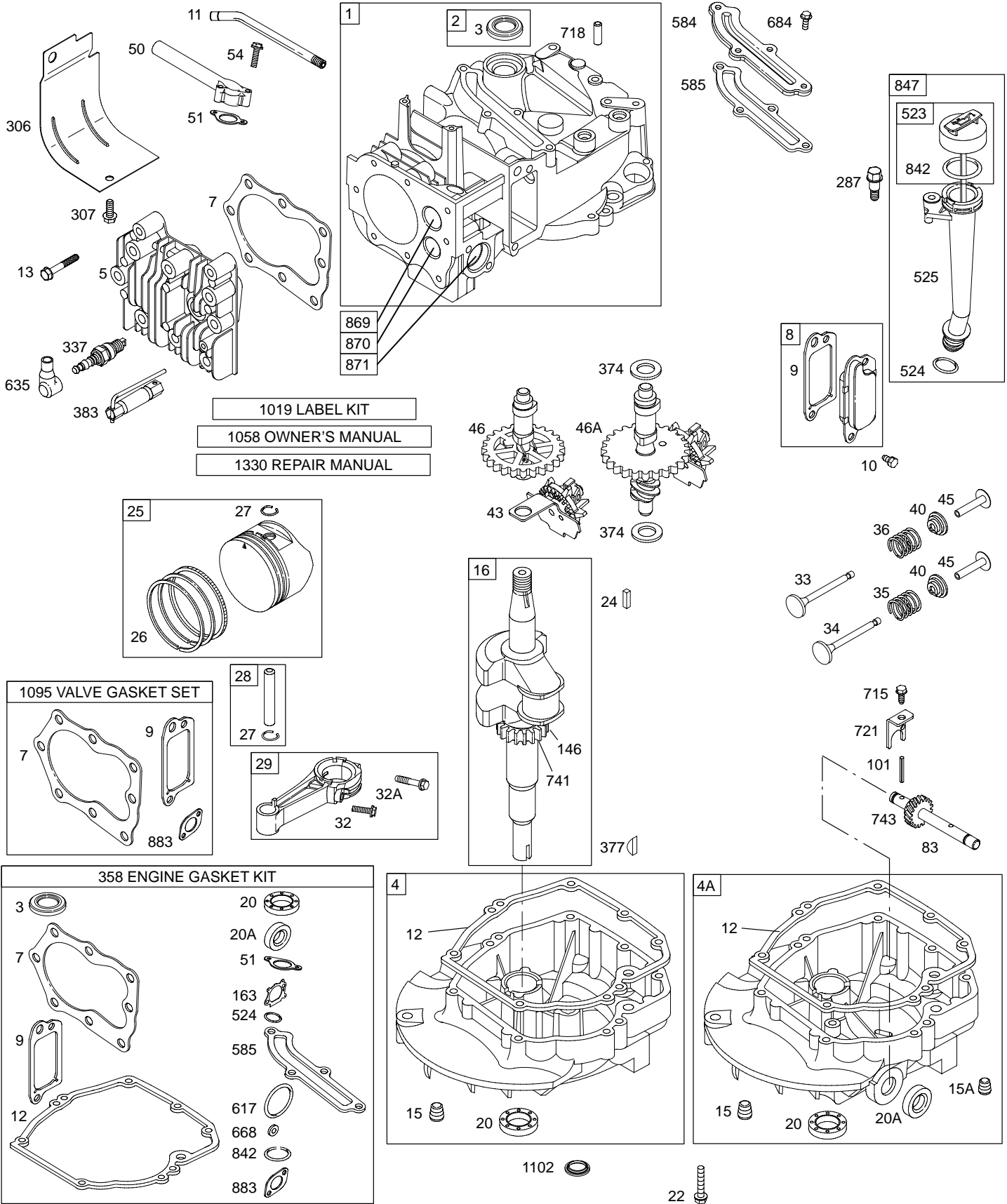
| | |
|------------------------------|-------|
| Alternator | 8 |
| Air Cleaner | 4 |
| Blower Housing/Shrouds | 6 |
| Camshaft | 2 |
| Carburetor | 3 |
| Controls | 5 |
| Crankshaft | 2 |
| Cylinder | 2 |
| Electric Starter | 8 |
| Electrical | 8 |
| Engine Sump | 2 |
| Exhaust System | 4 |
| Flywheel | 7 |
| Flywheel Brake | 8 |
| Fuel Supply | 5 |
| Governor Spring | 5 |
| Ignition | 8 |
| Lubrication | 2 |
| Kits/Gaskets | 2 & 3 |
| Piston Group | 2 |
| Rewind Starter | 7 |
| Valves | 2 |



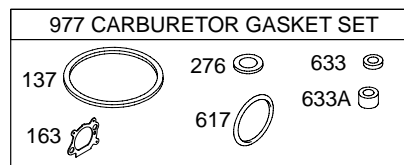
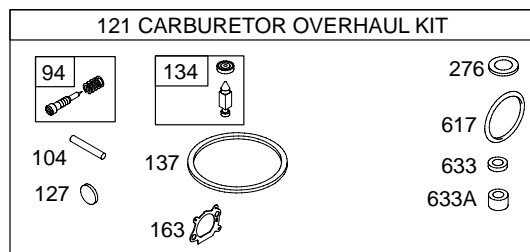
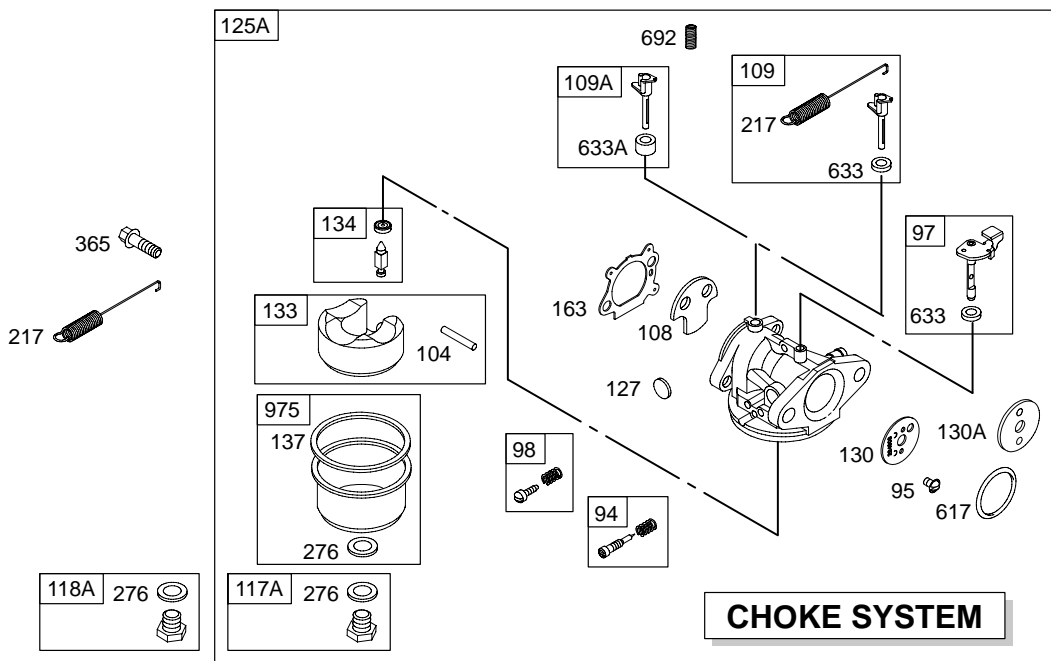
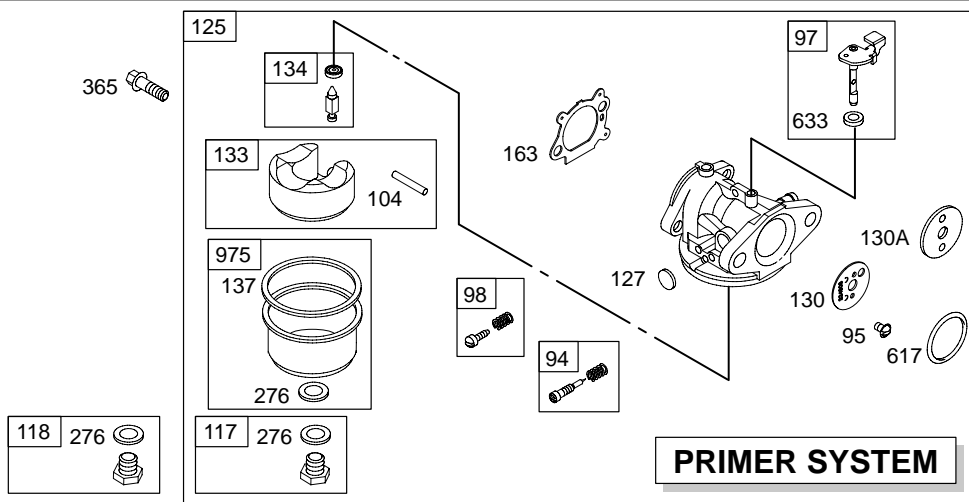
PRINTED IN U.S.A.

COPYRIGHT by BRIGGS & STRATTON CORPORATION
All rights reserved. No part of this material may be reproduced or transmitted, in any form or by any means, electronic or mechanical, including photocopying, recording or by any information storage and retrieval system, without permission in writing from Briggs & Stratton Corporation.

12F800

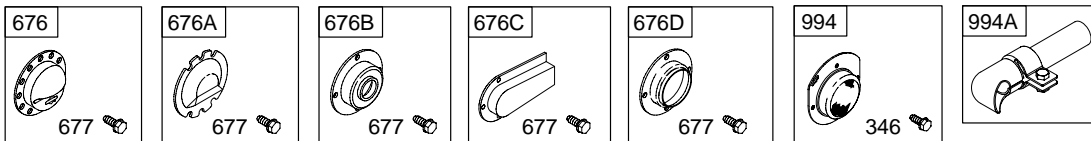
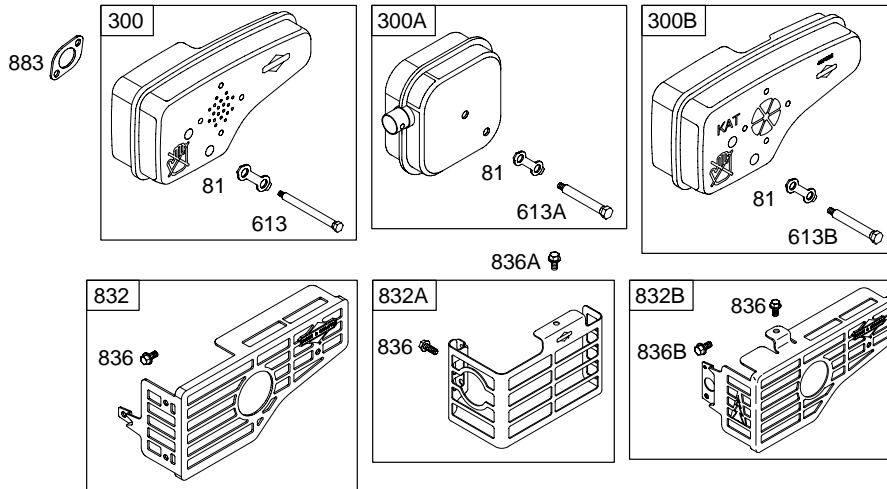
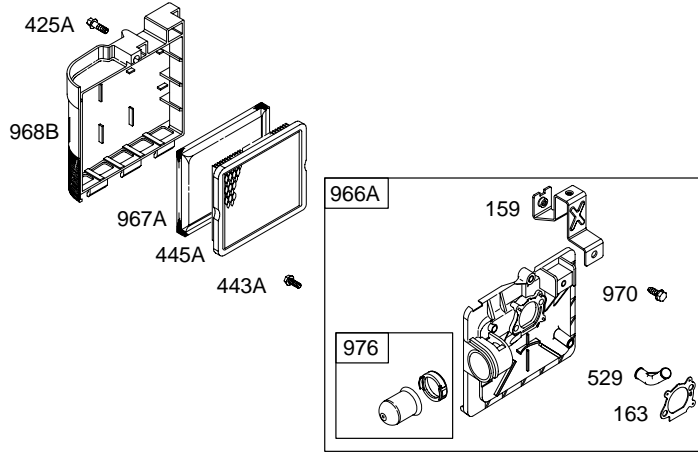


Illustrations cover a range of engines. Parts shown without corresponding text may not be used on your specific engine. 0517-2 Assemblies include all parts shown in frames. 09/21/2004

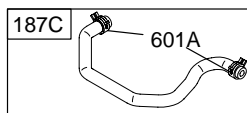
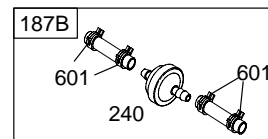
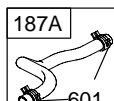
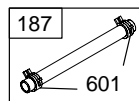
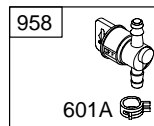
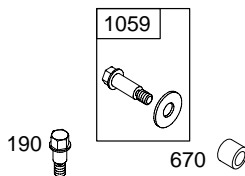
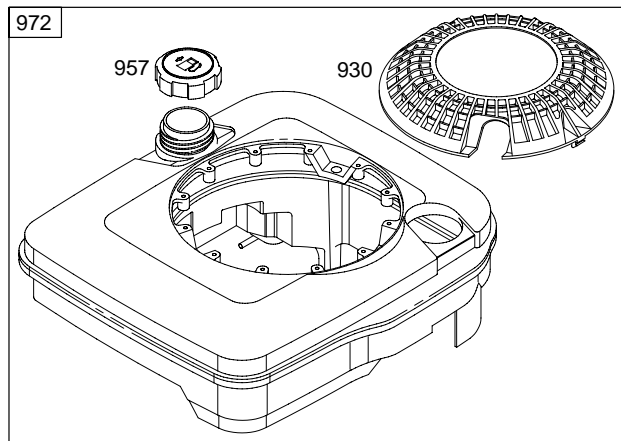


Illustrations cover a range of engines. Parts shown without corresponding text may not be used on your specific engine.
 0517-3 Assemblies include all parts shown in frames. 09/21/2004

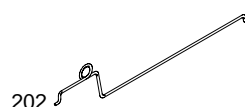
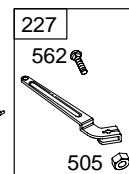
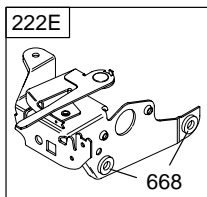
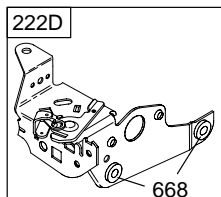
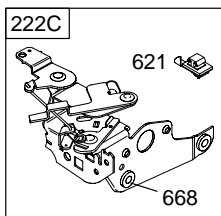
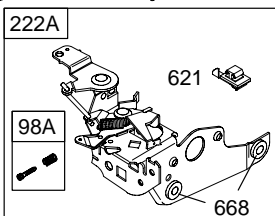
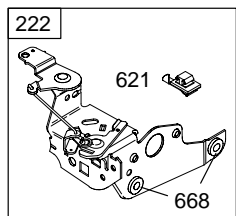
12F800



Illustrations cover a range of engines. Parts shown without corresponding text may not be used on your specific engine.
 0517-4 Assemblies include all parts shown in frames. 09/21/2004



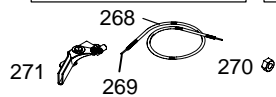
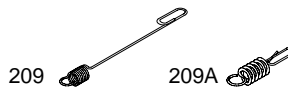
843 843A 188



615

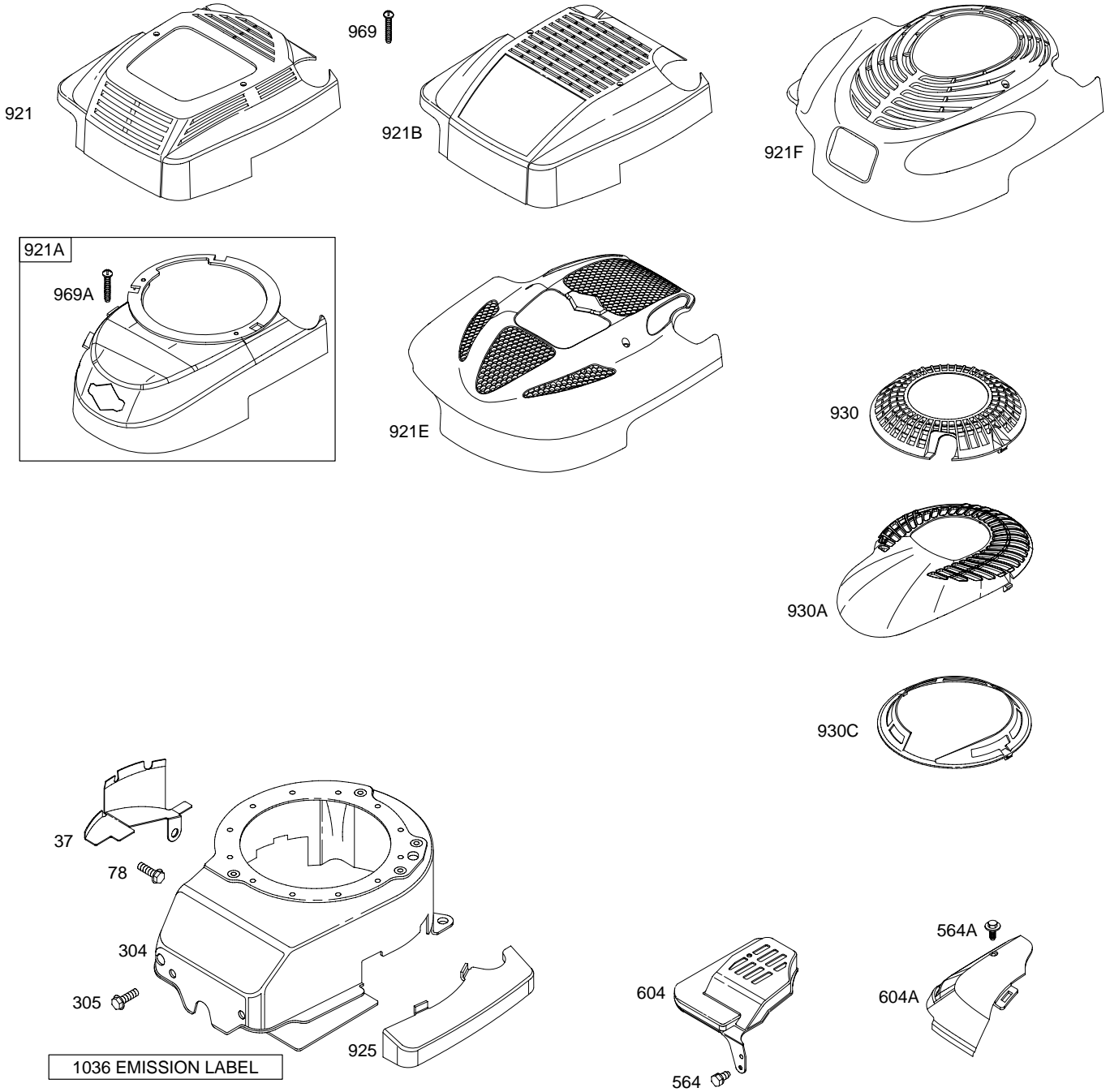
404

616

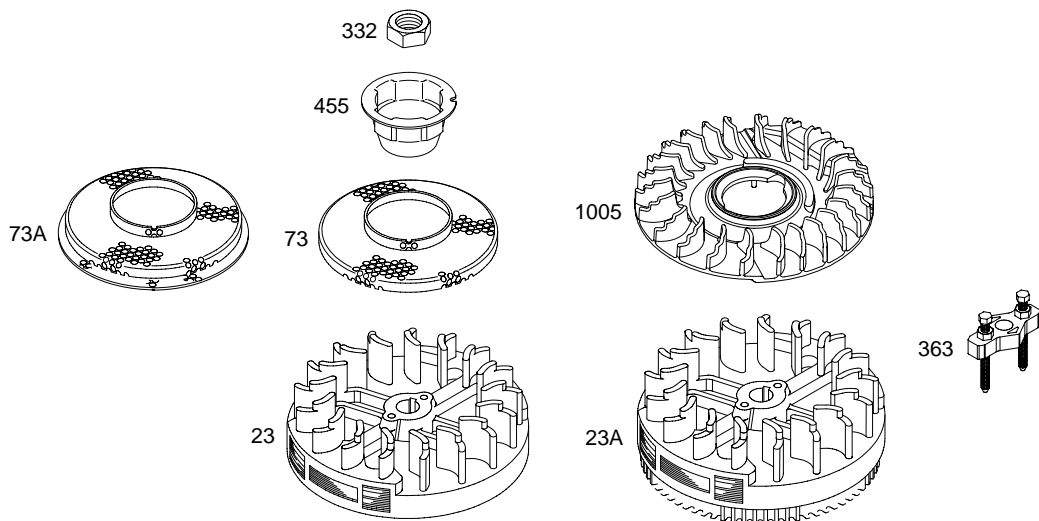
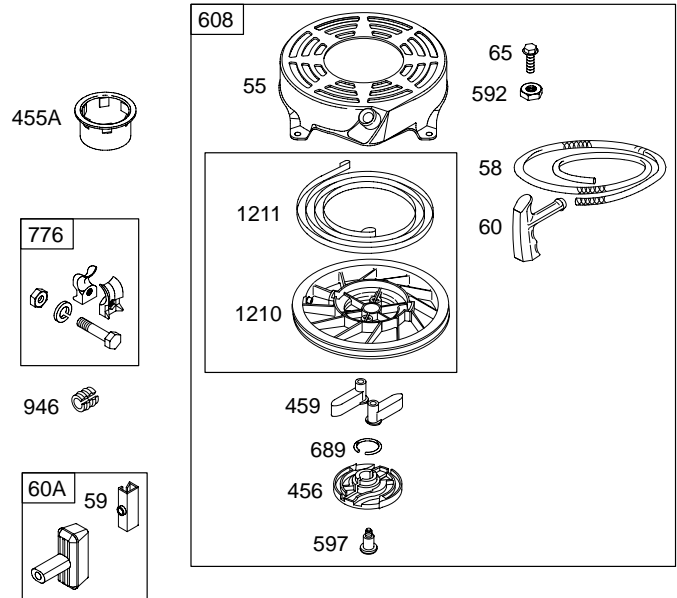
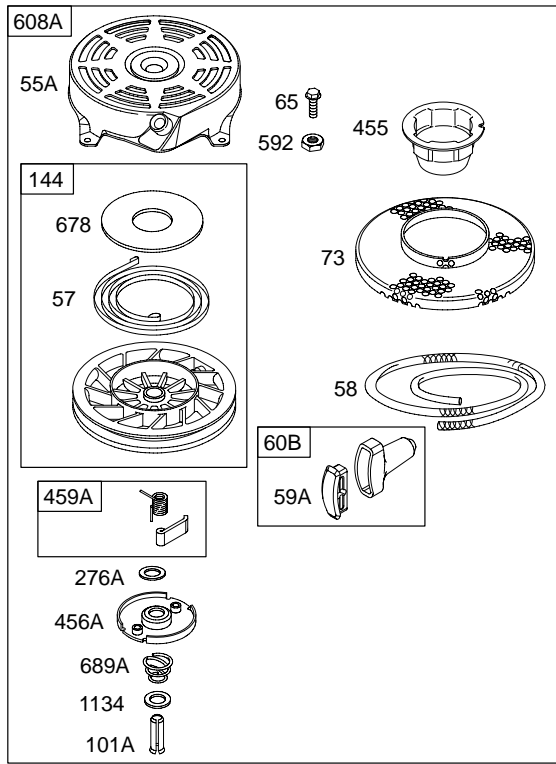


267 267
265 265A

12F800

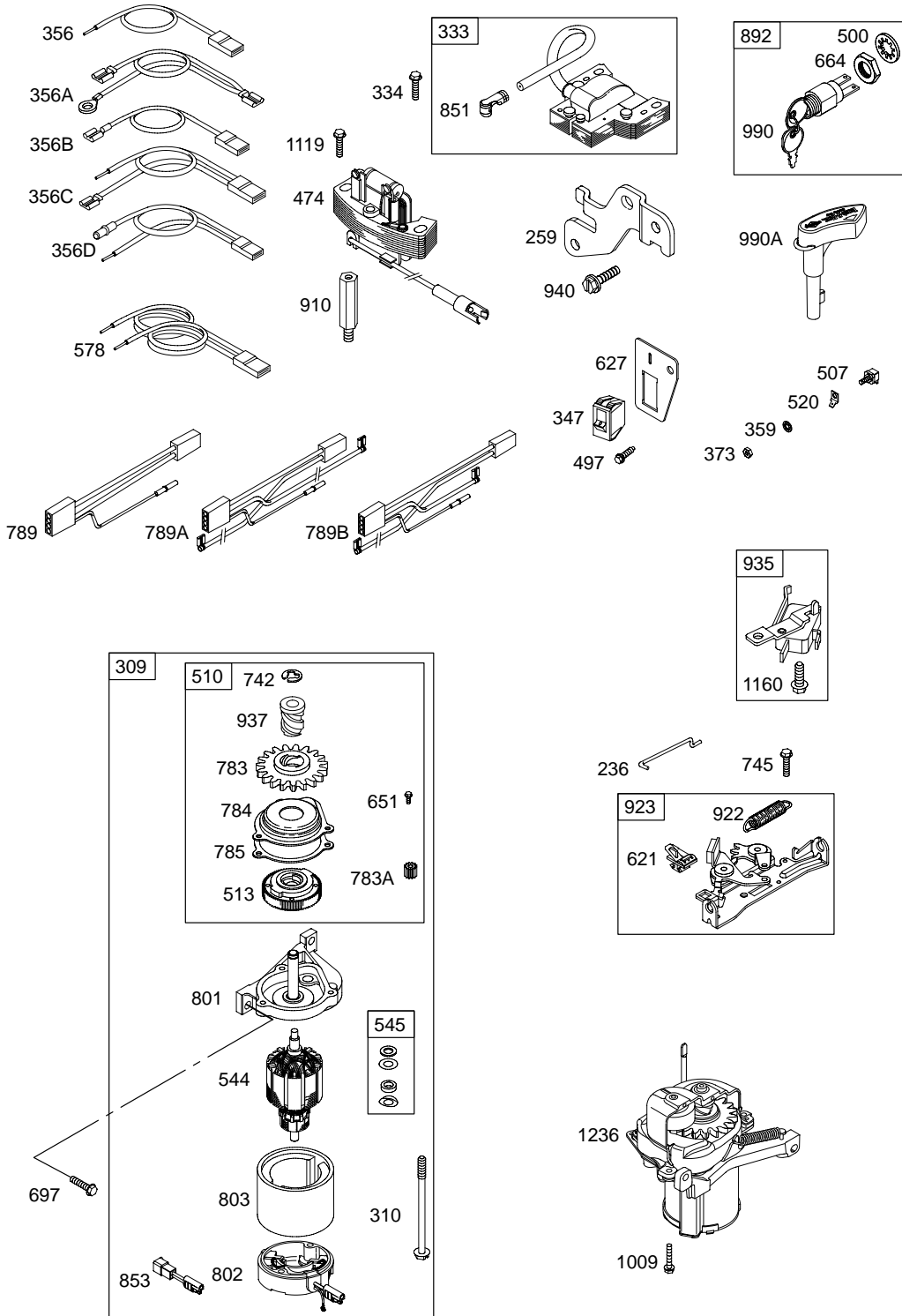


Illustrations cover a range of engines. Parts shown without corresponding text may not be used on your specific engine.
0517-6 Assemblies include all parts shown in frames. 09/21/2004



Illustrations cover a range of engines. Parts shown without corresponding text may not be used on your specific engine.
 0517-7 Assemblies include all parts shown in frames. 09/21/2004

12F800



Illustrations cover a range of engines. Parts shown without corresponding text may not be used on your specific engine.
 0517-8 Assemblies include all parts shown in frames. 09/21/2004

| REF. NO. | PART NO. | DESCRIPTION | REF. NO. | PART NO. | DESCRIPTION | REF. NO. | PART NO. | DESCRIPTION |
|----------|----------|--|----------|----------|------------------------------|----------|----------|-----------------------------------|
| 1 | 697322 | Cylinder Assembly | 5 | 691160 | Head-Cylinder | 12 | *692232 | Gasket-Crankcase |
| 2 | 399269 | Kit-Bushing/Seal (Magneto Side) | 7 | *∅692249 | Gasket-Cylinder Head | 13 | 690912 | Screw (Cylinder Head) |
| 3 | *299819 | Seal-Oil (Magneto Side) | 8 | 495786 | Breather Assembly | 15 | 691680 | Plug-Oil Drain (Square Socket) |
| 4 | 493279 | Sump-Engine | 9 | *∅272481 | Gasket-Breather | 15A | 691093 | Plug-Oil Drain (Hex Socket) |
| | | Note ——— | 10 | 94650 | Screw (Breather Assembly) | | | |
| | | 498983 Sump-Engine Used on Type No(s). 2026, 3116, 3134. | 11 | 691781 | Tube-Breather | | | |
| | | 696294 Sump-Engine Used on Type No(s). 1925, 1958, 2027, 2038, 2044, 2046, 2327, 2329, 2611, 2612, 2613, 3186, 3322, 3324. | | | | | | |
| 4A | 493365 | Sump-Engine (Auxiliary PTO) | | | | | | |
| | | Note ——— | | | | | | |
| | | 498983 Sump-Engine (Auxiliary PTO) Used on Type No(s). 2687. | | | | | | |

★ Included in Engine Gasket Set-Ref. No.358.

● Included in Carburetor Overhaul Kit-Ref. No. 121.

◆ Included in Carburetor Gasket Set-Ref. No. 977.

∅ Included in Valve Gasket Set-Ref. No 1095.

Illustrations cover a range of engines. Parts shown without corresponding text may not be used on your specific engine.

12F800

| REF. NO. | PART NO. | DESCRIPTION | REF. NO. | PART NO. | DESCRIPTION | REF. NO. | PART NO. | DESCRIPTION |
|----------|----------|--|----------|----------|---|----------|----------|---|
| 16 | 691451 | <p>Crankshaft (Used After Code Date 97011200).</p> <p>———— Note ————</p> <p>694442 Crankshaft (Used Before Code Date 97011300).</p> <p>691450 Crankshaft (Used After Code Date 97011200). Used on Type No(s). 0600,0808,0820,0833, 0835,0838,0840,0841, 0842,0852,0863,0876, 0884,0890,0906,1108, 1110,1147,1149,1154, 1159,1160,1162,1163, 1173,1174,1188,1191, 1201,1215,1220,1221, 1312,1508,1523,1524, 1557,1558,1560,1569, 1573,1700,1908,1976, 1985,2006,2011,2021, 2308,2310,2373,2374, 2608,2611,2612,2613, 2623,2624,2625,2626, 2627,2628,2925,3112, 3133,3180,3185,3186, 3187,3188.</p> <p>694440 Crankshaft (Used Before Code Date 97011300). Used on Type No(s). 0600,0808,0820,0833, 0835,0838,0840,0841, 0842,0852,0863,0876, 0884,0890,0906,1108, 1110,1147,1149,1154, 1159,1160,1162,1163, 1173,1174,1188,1191, 1508,1523,1524,1557, 1558,1560,1569,1573, 1976.</p> <p>692980 Crankshaft (Used After Code Date 97011200). Used on Type No(s). 0650,0667,1734,1735, 1750,1767.</p> <p>694443 Crankshaft (Used Before Code Date 97011300). Used on Type No(s). 0650,0667,1750.</p> | | | <p>691452 Crankshaft (Used After Code Date 97011200). Used on Type No(s). 0639,0640,0653,0654, 0817,0823,0830,0844, 0845,0853,0859,0862, 0866,0868,0870,0874, 0879,0882,0883,0887, 0894,0905,0907,0908, 0911,0914,0915,0916, 0918,1145,1151,1152, 1157,1158,1166,1167, 1170,1171,1175,1178, 1181,1182,1183,1186, 1190,1193,1194,1198, 1199,1208,1209,1210, 1212,1310,1311,1318, 1319,1320,1327,1328, 1329,1360,1366,1376, 1377,1378,1520,1521, 1566,1571,1574,1733, 1753,1754,1917,1927 1936,1937,1938,1941, 1943,1944,1945,1955, 1959,1966,1967,1982, 2003,2026,2027,2029, 2031,2032,2036,2327, 2329,2355,2356,2357, 2366,2371,2378,2379, 2399,2402,2671,2674, 2686,3105,3111,3119, 3120,3127,3131,3132, 3136,3165,3166,3168, 3177,3178,3200,3320, 3322,3323,3324,3325.</p> <p>694059 Crankshaft (Used Before Code Date 97011300). Used on Type No(s). 0639,0640,0817,0823, 0830,0844,0845,0853, 0859,0862,0866,0868, 0870,0874,0879,0882, 0883,0887,0894,0907, 0908,1145,1151,1152, 1157,1158,1166,1167, 1170,1171,1175,1178, 1181,1182,1183,1186, 1190,1194,1310,1311, 1366,1376,1377,1520, 1521,1566,1571,1574.</p> | | | <p>691455 Crankshaft (Used After Code Date 97011200). Used on Type No(s). 0815,0877,0888,1189, 1192,1581,1914,1977, 2001,2017,2407,2411, 2409,2681,2682,2918.</p> <p>691375 Crankshaft (Used Before Code Date 97011300). Used on Type No(s). 0815,0877,0888,1189, 1581.</p> <p>691454 Crankshaft Used on Type No(s). 0857,0858,0860,0878, 0880,1164,1177,1948, 1978,1980,2037,2038, 2044,2045,2685,2687, 3510,3511.</p> <p>692981 Crankshaft (Used After Code Date 97011200). Used on Type No(s). 1142.</p> <p>692028 Crankshaft (Used Before Code Date 97011300). Used on Type No(s). 1142.</p> <p>691482 Crankshaft Used on Type No(s). 3116, 3134.</p> <p>694079 Crankshaft Used on Type No(s). 1769.</p> <p>696009 Crankshaft Used on Type No(s). 1770.</p> <p>695242 Crankshaft Used on Type No(s). 1213, 1214, 2033.</p> <p>694850 Crankshaft Used on Type No(s). 2406, 2413.</p> |

★ Included in Engine Gasket Set—Ref. No.358.

● Included in Carburetor Overhaul Kit—Ref. No. 121.

◆ Included in Carburetor Gasket Set—Ref. No. 977.

⊘ Included in Valve Gasket Set—Ref. No 1095.

Illustrations cover a range of engines. Parts shown without corresponding text may not be used on your specific engine.

| REF. NO. | PART NO. | DESCRIPTION | REF. NO. | PART NO. | DESCRIPTION | REF. NO. | PART NO. | DESCRIPTION |
|----------|----------|---|----------|----------|--|----------|----------|--|
| 20 | ★399781 | Seal–Oil (PTO Side) | 25 | 790359 | Piston Assembly (Standard) (Used After Code Date 04031400). | 26 | 790360 | Ring Set (Standard) (Used After Code Date 04031400). |
| 20A | ★691952 | Seal–Oil (PTO Side) (Auxiliary PTO) | | | ————— Note ————— | | | ————— Note ————— |
| 22 | 691092 | Screw (Crankcase Cover/Sump) | | 499429 | Piston Assembly (Standard) (Used After Code Date 97011200 and Before Code Date 04031500). | | 499425 | Ring Set (Standard) (Used After Code Date 97011200 and Before Code Date 04031500). |
| 23 | 692315 | Flywheel (Rewind Start) | | 493262 | Piston Assembly (Standard) (Used Before Code Date 97011300). | | 493261 | Ring Set (Standard) (Used Before Code Date 97011300). |
| 23A | 691987 | Flywheel (Electric Start) ————— Note ————— 691992 Flywheel (Electric Start) Used on Type No(s). 0645, 0817, 0882, 0883, 0905, 1189, 1192, 1570, 1571, 1580, 1581, 1914, 1917, 1982, 2001, 2017, 2026, 2029, 2031, 2035, 2036, 2406, 2413, 2325, 2356, 2403, 2404, 2405, 2407, 2671, 2681, 2682, 3116, 3181, 3182. 696291 Flywheel (Electric Start) Used on Type No(s). 1925, 1958, 2027, 2038, 2044, 2046, 2327, 2329, 2611, 2612, 2613, 2685, 2687, 3186, 3322, 3324. | | 499430 | Piston Assembly (.010" Oversize) (Used After Code Date 97011200). | | 499426 | Ring Set (.010" Oversize) (Used After Code Date 97011200). |
| | | | | 493385 | Piston Assembly (.010" Oversize) (Used Before Code Date 97011300). | | 493388 | Ring Set (.010" Oversize) (Used Before Code Date 97011300). |
| | | | | 499431 | Piston Assembly (.020" Oversize) (Used After Code Date 97011200). | | 499427 | Ring Set (.020" Oversize) (Used After Code Date 97011200). |
| | | | | 493386 | Piston Assembly (.020" Oversize) (Used Before Code Date 97011300). | | 493389 | Ring Set (.020" Oversize) (Used Before Code Date 97011300). |
| 24 | 222698 | Key–Flywheel | | 493387 | Piston Assembly (.030" Oversize) (Used Before Code Date 97011300). | | 499428 | Ring Set (.030" Oversize) (Used After Code Date 97011200). |
| | | | | 499432 | Piston Assembly (.030" Oversize) (Used After Code Date 97011200). | | 493390 | Ring Set (.030" Oversize) (Used Before Code Date 97011300). |
| | | | | 493387 | Piston Assembly (.030" Oversize) (Used Before Code Date 97011300). | 27 | 691866 | Lock–Piston Pin (Used After Code Date 97011200). |
| | | | | | | | | ————— Note ————— 691588 Lock–Piston Pin (Used Before Code Date 67011300). |

★ Included in Engine Gasket Set–Ref. No.358.
● Included in Carburetor Overhaul Kit–Ref. No. 121.

◆ Included in Carburetor Gasket Set–Ref. No. 977.
⊘ Included in Valve Gasket Set–Ref. No 1095.

Illustrations cover a range of engines. Parts shown without corresponding text may not be used on your specific engine.

12F800

| REF. NO. | PART NO. | DESCRIPTION | REF. NO. | PART NO. | DESCRIPTION | REF. NO. | PART NO. | DESCRIPTION |
|----------|----------|---|----------|----------|---|----------|----------|--|
| 28 | 499423 | Pin-Piston (Standard) (Used After Code Date 97011200). Note 298909 Pin-Piston (Standard) (Used Before Code Date 97011300). 298908 Pin-Piston (.005" Oversize) (Used Before Code Date 97011300). | 46 | 691449 | Camshaft (Used After Code Date 96060200). Note 492830 Camshaft (Used Before Code Date 96060300). | 65 | 690837 | Screw (Rewind Starter) |
| 29 | 499424 | Rod-Connecting (Standard) (Used After Code Date 97011200). Note 490566 Rod-Connecting (Used Before Code Date 97011300). 490743 Rod-Connecting (.020" Undersize) (Used Before Code Date 97011300). | 46A | 691459 | Camshaft (Counterclockwise) (Used After Code Date 96060200). Note 493738 Camshaft (Counterclockwise) (Used Before Code Date 96060300). | 73 | 691222 | Screen-Rotating |
| 32 | 691664 | Screw (Connecting Rod) | | | 691460 Camshaft (Clockwise) (Used After Code Date 96060200). Used on Type No(s). 0860, 2950. | 73A | 224527 | Screen-Rotating |
| 32A | 695759 | Screw (Connecting Rod) (Used After Code Date 00042200). | 50 | 497465 | Manifold-Intake | 78 | 691108 | Screw (Flywheel Guard) |
| 33 | 262651 | Valve-Exhaust | 51 | ★272199 | Gasket-Intake | 81 | 691740 | Lock-Muffler Screw |
| 34 | 262652 | Valve-Intake | 54 | 691650 | Screw (Intake Manifold) | 83 | 691778 | Shaft-Auxiliary Drive Note 690522 Shaft-Auxiliary Drive Used on Type No(s). 1170, 2950, 2951. 690527 Shaft-Auxiliary Drive Used on Type No(s). 1141, 1172, 1516. |
| 35 | 691270 | Spring-Valve (Intake) | 55 | 691421 | Housing-Rewind Starter | 94 | ●493765 | Kit-Idle Mixture |
| 36 | 691270 | Spring-Valve (Exhaust) | 55A | 492831 | Housing-Rewind Starter | 95 | 691636 | Screw (Throttle Valve) |
| 37 | 694086 | Guard-Flywheel | 57 | 491889 | Spring-Rewind Starter | 97 | 493267 | Shaft-Throttle Note 696565 Shaft-Throttle (Primer System) (Used After Code Date 01040800). |
| 40 | 692194 | Retainer-Valve | 58 | 280399 | Rope-Starter (Cut To Required Length) | 98 | 398185 | Kit-Idle Speed (Carburetor) |
| 43 | 691997 | Slinger-Governor/Oil Note 691486 Slinger-Governor/Oil Used on Type No(s). 3116. | 59 | 692594 | Insert-Grip | 98A | 493280 | Kit-Idle Speed (Control Bracket) |
| 45 | 690548 | Tappet-Valve | 59A | 396892 | Insert-Grip | 101 | 691623 | Pin-Shaft |
| | | | 60 | 281434 | Grip-Starter Rope (One Piece) | 101A | 262626 | Pin-Shaft |
| | | | 60A | 494212 | Grip-Starter Rope (Two Piece) | 104 | ●691242 | Pin-Float Hinge |
| | | | 60B | 393152 | Grip-Starter Rope | 108 | 691182 | Valve-Choke |
| | | | | | | 109 | 494218 | Shaft-Choke |
| | | | | | | 109A | 498593 | Shaft-Choke Used on Type No(s). 1910, 1914, 2001, 2017, 2026, 2403, 2404, 2405, 2406, 2407, 2413, 2681, 2682, 3116, 3134. |

★ Included in Engine Gasket Set-Ref. No.358.

● Included in Carburetor Overhaul Kit-Ref. No. 121.

◆ Included in Carburetor Gasket Set-Ref. No. 977.

⊘ Included in Valve Gasket Set-Ref. No 1095.

Illustrations cover a range of engines. Parts shown without corresponding text may not be used on your specific engine.
0517-12 Assemblies include all parts shown in frames. 09/21/2004

| REF. NO. | PART NO. | DESCRIPTION | REF. NO. | PART NO. | DESCRIPTION | REF. NO. | PART NO. | DESCRIPTION |
|----------|----------|---|----------|----------|---|----------|----------|---|
| 117 | 494870 | Jet–Main (Standard) (Used After Code Date 96060200). Note 497466 Jet–Main (Standard) (Used After Code Date 95102900 and Before Code Date 96060300). 497315 Jet–Main (Standard) (Used Before Code Date 95103000). | 118A | 498981 | Jet–Main (High Altitude) (Used After Code Date 96060200). Note 496063 Jet–Main (High Altitude) (Used Before Code Date 96060300). 498975 Jet–Main (High Altitude) Used on Type No(s). 1910, 1914, 2001, 2017, 2026, 2403, 2404, 2405, 2406, 2407, 2413, 2681, 2682, 3116, 3134. 494870 Jet–Main (High Altitude) Used on Type No(s). 1726, 0727. | 127 | 694468 | Plug–Welch |
| 117A | 498977 | Jet–Main (Standard) (Used After Code Date 96060200). Note 493637 Jet–Main (Standard) (Used Before Code Date 96060300). 498978 Jet–Main (Standard) Used on Type No(s). 1910, 1914, 2001, 2017, 2026, 2403, 2404, 2405, 2406, 2407, 2413, 2681, 2682, 3116, 3134. 498981 Jet–Main (Standard) Used on Type No(s). 1726, 0727. | 121 | 498260 | Kit–Carburetor Overhaul | 130 | 696564 | Valve–Throttle (Primer System) Note 691203 Valve–Throttle Used on Type No(s). 1910, 1914, 2001, 2017, 2026, 2403, 2404, 2405, 2406, 2407, 2413, 2681, 2682, 3116. |
| 118 | 497315 | Jet–Main (High Altitude) (Used After Code Date 96060200). Note 496495 Jet–Main (High Altitude) (Used After Code Date 95102900 and Before Code Date 96060300). 497348 Jet–Main (High Altitude) (Used Before Code Date 95103000). | 125 | 498170 | Carburetor (Used After Code Date 96060200). Note 498254 Carburetor (Used Before Code Date 96060300). | 130A | 691181 | Valve–Throttle |
| | | | 125A | 498965 | Carburetor (Used After Code Date 96060200). Note 494217 Carburetor (Used Before Code Date 96060300). 499059 Carburetor Used on Type No(s). 1910, 1914, 2001, 2017, 2026, 2403, 2404, 2405, 2406, 2407, 2413, 2681, 2682, 3116, 3134. 790978 Carburetor Used on Type No(s). 1726, 0727. | 133 | 398187 | Float–Carburetor |
| | | | | | | 134 | 398188 | Kit–Needle/Seat |
| | | | | | | 137 | 693981 | Gasket–Float Bowl |
| | | | | | | 144 | 493824 | Pulley/Spring Assembly |
| | | | | | | 146 | 690979 | Key–Timing |
| | | | | | | 159 | 691753 | Bracket–Air Cleaner Primer |
| | | | | | | 163 | 272653 | Gasket–Air Cleaner |
| | | | | | | 187 | 691050 | Line–Fuel (Cut to Required Length) Note 296004 Line–Fuel (Cut to Required Length) Used on Type No(s). 0853, 2612, 2613. |
| | | | | | | 187A | 691371 | Line–Fuel (Molded) |
| | | | | | | 187B | 692042 | Line–Fuel (Includes Filter) |
| | | | | | | 187C | 696292 | Line–Fuel (Molded) Note 698164 Line–Fuel (Molded) Used on Type No(s). 2612, 2613. |
| | | | | | | 188 | 690877 | Screw (Control Bracket) |
| | | | | | | 190 | 690940 | Screw (Fuel Tank) |
| | | | | | | 202 | 691829 | Link–Mechanical Governor |

★ Included in Engine Gasket Set–Ref. No.358.

● Included in Carburetor Overhaul Kit–Ref. No. 121.

◆ Included in Carburetor Gasket Set–Ref. No. 977.

⊘ Included in Valve Gasket Set–Ref. No 1095.

Illustrations cover a range of engines. Parts shown without corresponding text may not be used on your specific engine.

12F800

| REF. NO. | PART NO. | DESCRIPTION | REF. NO. | PART NO. | DESCRIPTION | REF. NO. | PART NO. | DESCRIPTION | | | |
|------------|---------------|--|----------|----------|---|----------|----------|-------------|-------------|---------------|--|
| 209 | 691292 | Spring–Governor Note 691851 Spring–Governor Used on Type No(s). 0820, 0838, 0842, 0843, 0847, 0875, 0876, 0906, 0910, 0919, 1147, 1160, 1175, 1187, 1191, 1312, 1317, 1328, 1379, 1520, 1559, 1560, 1562, 1568, 1573, 1911, 1912, 1918, 1925, 1940, 1956, 1975, 1976, 2001, 2006, 2010, 2011, 2013, 2021, 2043, 2310, 2373, 2374, 2403, 2404, 2405, 2406, 2413, 3112, 3117, 3118, 3120, 3179, 3180, 3183, 3184, 3185, 3186, 3188. 691290 Spring–Governor Used on Type No(s). 1910, 1914, 2026. 691291 Spring–Governor Used on Type No(s). 0848, 0878, 0880, 0890, 1189, 1733, 1948, 1978, 1980. 691852 Spring–Governor Used on Type No(s). 1210, 1212, 1380, 1381, 1770, 1923, 1924, 1927, 1941, 1944, 1955, 1967, 1986, 1987, 2046, 2329, 2357, 2375, 2376, 2377, 2378, 2379, 2614, 2687, 3128, 3130, 3135, 3168, 3181. | | | 699056 Spring–Governor Used on Type No(s). 0600, 0610, 0625, 0630, 0632, 0639, 0640, 0808, 0817, 0821, 0823, 0826, 0829, 0836, 0839, 0853, 0883, 0899, 0909, 1108, 1119, 1128, 1141, 1145, 1148, 1152, 1153, 1156, 1172, 1199, 1313, 1315, 1329, 1508, 1516, 1521, 1574, 1700, 1725, 1732, 1908, 1915, 1917, 1943, 1999, 2003, 2009, 2022, 2308, 2319, 2353, 2409, 2608, 2674, 2684, 2686, 3113, 3115, 3187. 690241 Spring–Governor Used on Type No(s). 3116, 3134. 693187 Spring–Governor Used on Type No(s). 2681, 2682, 2407. | | | | 209A | 691835 | Spring–Governor Note 690568 Spring–Governor Used on Type No(s). 1192. 691275 Spring–Governor Used on Type No(s). 0833, 0835, 1110, 1173, 1174, 1581. 691833 Spring–Governor Used on Type No(s). 0837, 0841, 0869, 1176. 691834 Spring–Governor Used on Type No(s). 0822, 1188, 1201, 1215. 690569 Spring–Governor Used on Type No(s). 0637, 0638, 0645, 0818, 0819, 0918, 1159, 1210, 1212, 1213, 1214, 1220, 1221, 1327, 1941, 1944, 2329, 2357, 2377, 2378, 3168. 691276 Spring–Governor Used on Type No(s). 0892, 0917. 262663 Spring–Governor Used on Type No(s). 0642, 0644, 0911. 790979 Spring–Governor Used on Type No(s). 1726, 1727. |

★ Included in Engine Gasket Set–Ref. No.358.

● Included in Carburetor Overhaul Kit–Ref. No. 121.

◆ Included in Carburetor Gasket Set–Ref. No. 977.

∅ Included in Valve Gasket Set–Ref. No 1095.

Illustrations cover a range of engines. Parts shown without corresponding text may not be used on your specific engine.

| REF. NO. | PART NO. | DESCRIPTION | REF. NO. | PART NO. | DESCRIPTION | REF. NO. | PART NO. | DESCRIPTION |
|----------|----------|--|----------|----------|--|----------|----------|------------------------------|
| 217 | 690354 | Spring—Choke Return | 268 | 691025 | Casing—Control Wire (72" Long (Cut to Required Length) | 304 | 493293 | Housing—Blower |
| 222 | 692031 | Bracket—Control (Remote/Manual Friction)(Primer) | | | | | | Note |
| 222A | 692021 | Bracket—Control (Remote Choke A Matic, Non Compliance) | | | | | | 493294 Housing—Blower |
| | | Note | | | | | | Used on Type No(s). |
| | | 790982 Bracket—Control | 269 | 691026 | Wire—Control (78" Long (Cut to Required Length) | | | 0645, 0653, 0817, |
| | | Used on Type No(s). 1726, 1727. | | | | | | 0837, 0841, 0842, |
| 222C | 692150 | Bracket—Control (Remote/Manual Friction) | | | | | | 0843, 0847, 0859, |
| | | (Variable Speed and 5 Position Manual Choke) | | | | | | 0862, 0869, 0875, |
| | | | | | | | | 0879, 0882, 0883, |
| 222D | 692467 | Bracket—Control (Remote/Manual Friction) | | | | | | 0905, 0906, 0908, |
| | | (Variable Speed and 5 Position Manual Choke, Without Stopswitch) | | | | | | 0910, 0917, 0919, |
| | | | | | | | | 1160, 1161, 1162, |
| | | | | | | | | 1167, 1175, 1176, |
| | | | | | | | | 1177, 1178, 1181, |
| | | | | | | | | 1182, 1186, 1187, |
| | | | | | | | | 1189, 1191, 1192, |
| | | | | | | | | 1198, 1199, 1312, |
| | | | | | | | | 1314, 1328, 1329, |
| | | | 270 | 691027 | Nut (Control Wire Casing) | | | 1360, 1379, 1524, |
| | | | | | | | | 1558, 1559, 1560, |
| | | | 271 | 691028 | Lever—Control | | | 1562, 1568, 1570, |
| | | | 276 | 271716 | Washer—Sealing | | | 1571, 1573, 1580, |
| | | | 276A | 280973 | Washer—Sealing (Pawl Friction Plate) | | | 1581, 1733, 1910, |
| | | | | | | | | 1914, 1917, 1918, |
| | | | | | | | | 1940, 1943, 1956, |
| 222E | 692982 | Bracket—Control (Fixed Speed and 5 Position Manual Choke) | 287 | 690940 | Screw (Dipstick Tube) | | | 1975, 1982, 2001, |
| | | | | | | | | 2003, 2006, 2010, |
| | | | 300 | 496106 | Muffler (Tuned) | | | 2013, 2017, 2023, |
| | | | | | | | | 2026, 2029, 2031, |
| | | | 300A | 494343 | Muffler (Square Lo Tone) | | | 2032, 2035, 2036, |
| 227 | 690783 | Lever—Governor Control | | | | | | 2043, 2325, 2356, |
| 236 | 691826 | Link—Lockout | 300B | 497681 | Muffler (Catalyst) | | | 2403, 2404, 2405, |
| 240 | 298090 | Filter—Fuel | | | | | | 2406, 2413, 2407, |
| 259 | 691223 | Bracket—Casing Clamp | | | | | | 2624, 2625, 2627, |
| 265 | 690798 | Clamp—Casing | | | | | | 2671, 2681, 2682, |
| 265A | 691024 | Clamp—Casing | | | | | | 2686, 3110, 3112, |
| 267 | 691044 | Screw (Casing Clamp) | | | | | | 3116, 3117, 3120, |
| | | | | | | | | 3129, 3134, 3179, |
| | | | | | | | | 3180, 3181, 3182, |
| | | | | | | | | 3184. |
| | | | | | | | | 695892 Housing—Blower |
| | | | | | | | | Used on Type No(s). |
| | | | | | | | | 1220, 1221, 2041, |
| | | | | | | | | 2411, 2628, 3135, |
| | | | | | | | | 3136. |
| | | | | | | | | 696298 Housing—Blower |
| | | | | | | | | Used on Type No(s). |
| | | | | | | | | 1925, 1958, 2027, |
| | | | | | | | | 2038, 2044, 2046, |
| | | | | | | | | 2327, 2329, 2611, |
| | | | | | | | | 2612, 2613, 2685, |
| | | | | | | | | 2687, 3186, 3322, |
| | | | | | | | | 3324. |

★ Included in Engine Gasket Set—Ref. No.358.

● Included in Carburetor Overhaul Kit—Ref. No. 121.

◆ Included in Carburetor Gasket Set—Ref. No. 977.

∅ Included in Valve Gasket Set—Ref. No 1095.

Illustrations cover a range of engines. Parts shown without corresponding text may not be used on your specific engine.

12F800

| REF. NO. | PART NO. | DESCRIPTION | REF. NO. | PART NO. | DESCRIPTION | REF. NO. | PART NO. | DESCRIPTION |
|----------|----------|-----------------------------|----------|----------|---------------------------------------|--------------|----------------------------------|---|
| 305 | 691108 | Screw (Blower Housing) | 425A | 690670 | Screw (Air Cleaner Cover) | 584 | 697734 | Cover-Breather Passage |
| 306 | 690450 | Shield-Cylinder | 443A | 692523 | Screw (Air Cleaner Primer Base) | 585 | ★691879 | Gasket-Breather Passage |
| 307 | 690345 | Screw (Cylinder Shield) | 445A | 491588 | Filter-Air Cleaner Cartridge | 592 | 690800 | Nut (Rewind Starter) |
| 309 | 695550 | Motor-Starter | 455 | 695161 | Cup-Flywheel | 597 | 691696 | Screw (Pawl Friction Plate) |
| 310 | 692327 | Bolt (Starter Motor) | 456 | 692299 | Plate-Pawl Friction | 601 | 95162 | Clamp-Hose (Green) |
| 332 | 690662 | Nut (Flywheel) | 456A | 224321 | Plate-Pawl Friction | 601A | 691038 | Clamp-Hose (Black) |
| 333 | 802574 | Armature-Magneto | 459 | 281505 | Pawl-Ratchet | 604 | 691757 | Cover-Control |
| 334 | 691061 | Screw (Magneto Armature) | 459A | 492833 | Pawl-Ratchet | 604A | 691344 | Cover-Control |
| 337 | 802592 | Plug-Spark (Resistor) | 474 | 691991 | Alternator | 608 | 497680 | Starter-Rewind |
| | | Note _____ | 497 | 690664 | Screw (Stopswitch Bracket) | 608A | 497598 | Starter-Rewind |
| | | 697451 Plug-Spark (EMS) | 500 | 691086 | Washer (Key Switch) | 613 | 691340 | Screw (Muffler) |
| 346 | 690661 | Screw (Spark Arrestor) | 505 | 691251 | Nut (Governor Control Lever) | 613A | 691653 | Screw (Muffler) |
| 347 | 691396 | Switch-Rocker | 507 | 691972 | Insulator | 613B | 691114 | Screw (Muffler) |
| 356 | 692390 | Wire-Stop | 510 | 494147 | Drive-Starter | 615 | 690340 | Retainer-Governor Shaft |
| 356A | 690650 | Wire-Stop | 513 | 692358 | Clutch-Drive | 616 | 698801 | Crank-Governor |
| 356B | 693010 | Wire-Stop | 520 | 691084 | Terminal-Ground | 617★◆♦270344 | Seal-O Ring (Intake Manifold) | |
| 356C | 690808 | Wire-Stop | 523 | 495264 | Dipstick | 621 | 692310 | Switch-Stop |
| 356D | 496381 | Wire-Stop | 524 | ★692296 | Seal-Dipstick Tube | 627 | 692872 | Bracket-Stopswitch |
| 358 | 497316 | Gasket Set-Engine | 525 | 495265 | Tube-Dipstick | 633 | ◆♦691321 | Seal-Choke/Throttle Shaft |
| 359 | 691077 | Washer (Ground Terminal) | 529 | 691923 | Grommet | 633A | ◆♦693867 | Seal-Choke/Throttle Shaft Used on Type No(s). 1910, 1914, 2001, 2017, 2026, 2403, 2404, 2407, 2681, 2682, 3116. |
| 363 | 19069 | Pulley-Flywheel | 544 | 690786 | Armature-Starter | | | |
| 365 | 692524 | Screw (Carburetor) | 545 | 492919 | Washer Set (Starter Motor) | | | |
| 373 | 691612 | Nut (Ground Terminal) | 562 | 92613 | Bolt (Governor Control Lever) | | | |
| 374 | 691074 | Washer (Camshaft) | 564 | 690664 | Screw (Control Cover) | | | |
| 377 | 692193 | Key-Woodruff | 564A | 691142 | Screw (Control Cover) | | | |
| 383 | 89838 | Wrench-Spark Plug | 578 | 398153 | Wire Assembly | | | |
| 404 | 690272 | Washer (Governor Crank) | | | | | | |

★ Included in Engine Gasket Set-Ref. No.358.

● Included in Carburetor Overhaul Kit-Ref. No. 121.

◆ Included in Carburetor Gasket Set-Ref. No. 977.

∅ Included in Valve Gasket Set-Ref. No 1095.

Illustrations cover a range of engines. Parts shown without corresponding text may not be used on your specific engine.

0517-16

Assemblies include all parts shown in frames.

09/21/2004

| REF. NO. | PART NO. | DESCRIPTION | REF. NO. | PART NO. | DESCRIPTION | REF. NO. | PART NO. | DESCRIPTION | | |
|----------|----------|--|----------|----------|--|----------|----------|---|---------|---------------------------------|
| 635 | 66538 | Boot-Spark Plug | 743 | 691772 | Gear-Drive (Counterclockwise) | 801 | 690782 | Cap-Drive | | |
| 651 | 691660 | Screw (Starter Gear Cover) | | | ———— Note ———— | 802 | 695267 | Cap-End (Used After Code Date 00040600). | | |
| 664 | 691087 | Nut (Key Switch) | | | 690516 Gear-Drive (Clockwise) | | | ———— Note ———— | | |
| 668 | ★493823 | Spacer (Includes 2) | | | Used on Type No(s). 0860, 2950. | | | 695975 Cap-End (Used Before Code Date 00040700). | | |
| 670 | 692294 | Spacer-Fuel Tank | 745 | 691648 | Screw (Brake) | | | | | |
| 676 | 396548 | Deflector-Muffler (Louvered) | 776 | 396526 | Guide-Rope | 803 | 695266 | Housing-Starter (Used After Code Date 00040600). | | |
| 676A | 393756 | Deflector-Muffler (Side Out) (Shallow) | 783 | 691918 | Gear-Pinion (Starter) | | | ———— Note ———— | | |
| 676B | 397931 | Deflector-Muffler (Direct Out) | 783A | 691269 | Gear-Pinion | | | 695975 Housing- Starter | | |
| 676C | 493871 | Deflector-Muffler (Side Out) (Extended) (Horseshoe) | 784 | 692341 | Cover-Starter Gear | | | (Used Before Code Date 00040700). | | |
| 676D | 497682 | Deflector-Muffler (For TUV) | 785 | 692352 | Gasket-Starter Cover | | | | | |
| 677 | 690661 | Screw (Muffler Deflector) | 789 | 695551 | Harness-Wiring (Used After Code Date 00040600). | | | ———— Note ———— | | |
| 678 | 224278 | Spacer-Rewind | | | 690790 Harness- Wiring (Used Before Code Date 00040700). | 832 | 499034 | Guard-Muffler | | |
| 684 | 690345 | Screw (Breather Passage Cover) | | | 696546 Harness- Wiring Used on Type No(s). 2035, 2405, 2406. | 832A | 691424 | Guard-Muffler | | |
| 689 | 691855 | Spring-Friction | 789A | 695552 | Harness-Wiring (Used After Code Date 00040600). | 832B | 497683 | Guard-Muffler | | |
| 689A | 262625 | Spring-Friction (Rewind Starter) | | | ———— Note ———— | 836 | 690664 | Screw (Muffler Guard) | | |
| 692 | 690572 | Spring-Detent | | | 691372 Harness- Wiring (Used Before Code Date 00040700). | 836A | 690661 | Screw (Muffler Guard) | | |
| 697 | 691127 | Screw (Drive Cap) | | | Harness-Wiring Used on Type No(s). 2035, 2405, 2406. | 836B | 691147 | Screw (Muffler Guard) | | |
| 715 | 691147 | Screw (Shaft Stop) | | | 695552 | | | 842 | ★691031 | Seal-O Ring (Dipstick Tube) |
| 718 | 690959 | Pin-Locating | 789B | 494544 | Harness-Wiring | | | 843 | 691884 | Sleeve-Lever (Speed Control) |
| 721 | 690449 | Stop-Shaft | | | ———— Note ———— | | | 843A | 691895 | Sleeve-Lever (Choke) |
| 741 | 790345 | Gear-Timing (Use Without Woodruff Key) | | | 696547 Harness- Wiring Used on Type No(s). 0644, 0654, 0918, 1209, 1210, 1212, 1213, 1324, 1327, 1735, 1924, 1936, 1944, 2377, 2614, 3127, 3132, 3510. | 847 | 692017 | Dipstick/Tube Assembly | | |
| | | ———— Note ———— | | | | 851 | 493880 | Terminal-Spark Plug | | |
| | | 691830 Gear-Timing (Uses Woodruff Key) | | | | 853 | 695268 | Adapter-Wire | | |
| 742 | 93941 | Retainer-E Ring | | | | | | ———— Note ———— | | |
| | | | | | | | | 698471 Adapter-Wire Used on Type No(s). 3129, 3130. | | |
| | | | | | | 869 | 691155 | Seat-Valve (Intake) | | |
| | | | | | | 870 | 690380 | Seat-Valve (Exhaust) | | |

★ Included in Engine Gasket Set-Ref. No.358.

● Included in Carburetor Overhaul Kit-Ref. No. 121.

◆ Included in Carburetor Gasket Set-Ref. No. 977.

⊘ Included in Valve Gasket Set-Ref. No 1095.

Illustrations cover a range of engines. Parts shown without corresponding text may not be used on your specific engine.

12F800

| REF. NO. | PART NO. | DESCRIPTION | REF. NO. | PART NO. | DESCRIPTION | REF. NO. | PART NO. | DESCRIPTION |
|----------|----------|--|----------|----------|--|----------|----------|--|
| 871 | 262001 | Bushing-Valve Guide (Exhaust) Note — 63709 Bushing-Valve Guide (Intake) | 935 | 499421 | Switch-Interlock | 1009 | 696255 | Screw (Starter Motor) |
| 883 | ★Ø691881 | Gasket-Exhaust | 937 | 691325 | Spline-Starter | 1019 | 494256 | Kit-Label Note — 790231 Kit-Label (Touch N Mow) |
| 892 | 690646 | Switch-Key | 940 | 691004 | Screw (Casing Clamp Bracket) | 1036 | 790412 | Label-Emission (Used After Code Date 04063000). Note — 694458 Label-Emission (Used After Code Date 99093000 and Before Code Date 04070100). 694458 Label-Emission (Used After Code Date 98123100 and Before Code Date 99100100). 499341 Label-Emission (Used After Code Date 97012000 and Before Code Date 99010100). 499340 Label-Emission (Used Before Code Date 97012100). 790413 Label-Emission (Used On Engines With D1 Trim) (Used After Code Date 04063000). 697378 Label-Emission (Used On Engines With D1 Trim) (Used Before Code Date 04070100). |
| 910 | 691094 | Stud (Alternator) | 946 | 691738 | Stop-Rope | | | |
| 921 | 497233 | Cover-Blower Housing (Red) | 957 | 397974 | Cap-Fuel Tank (Plastic) | | | |
| 921A | 695886 | Cover-Blower Housing (Black) | 958 | 698183 | Valve-Fuel Shut Off (Plastic) | | | |
| 921B | 692931 | Cover-Blower Housing (Black) Note — 692932 Cover-Blower Housing (Red) | 966A | 496116 | Base-Air Cleaner Primer | | | |
| 921E | 696262 | Cover-Blower Housing (Black) | 967A | 493537 | Filter-Pre Cleaner | | | |
| 921F | 697343 | Cover-Blower Housing (Black) | 968B | 692298 | Cover-Air Cleaner | | | |
| 922 | 691831 | Spring-Brake Note — 692135 Spring-Brake Used on Type No(s). 2041, 2411, 2628, 3135, 3165, 3136. | 969 | 690700 | Screw (Blower Housing Cover) | | | |
| 923 | 691994 | Brake Note — 695891 Brake Used on Type No(s). 2041, 2411, 2628, 3135, 3165, 3136. | 969A | 691138 | Screw (Blower Housing Cover) | | | |
| 925 | 690595 | Cover-Linkage | 970 | 691669 | Screw (Air Cleaner Primer Bracket) | | | |
| 930 | 691919 | Guard-Rewind (Round) | 972 | 693377 | Tank-Fuel (Plastic) Note — 695960 Tank-Fuel (Plastic) Used on Type No(s). 1925, 1958, 2027, 2038, 2044, 2046, 2327, 2329, 2611, 2612, 2613, 2685, 2687, 3186, 3322, 3324. | | | |
| 930A | 691345 | Guard-Rewind (Tear Drop) | 975 | 493640 | Bowl-Float | | | |
| 930C | 690598 | Guard-Rewind (Trim Ring) | 976 | 694395 | Primer-Carburetor | | | |
| | | | 977 | 498261 | Gasket Set-Carburetor | | | |
| | | | 990 | 691959 | Key Set | | | |
| | | | 990A | 695951 | Key Set | | | |
| | | | 994 | 398067 | Arrestor-Spark | | | |
| | | | 994A | 692957 | Arrestor-Spark | | | |
| | | | 1005 | 691346 | Fan-Flywheel | | | |

★ Included in Engine Gasket Set-Ref. No.358.

● Included in Carburetor Overhaul Kit-Ref. No. 121.

◆ Included in Carburetor Gasket Set-Ref. No. 977.

Ø Included in Valve Gasket Set-Ref. No.1095.

Illustrations cover a range of engines. Parts shown without corresponding text may not be used on your specific engine.

0517-18

Assemblies include all parts shown in frames.

09/21/2004

| REF. NO. | PART NO. | DESCRIPTION | REF. NO. | PART NO. | DESCRIPTION | REF. NO. | PART NO. | DESCRIPTION |
|----------|----------|---|----------|----------|------------------------------------|----------|----------|--|
| 1058 | 275177 | Owner's Manual ———— Note ———— 274940 Owner's Manual (Touch N Mow) | 1119 | 691648 | Screw (Alternator) | 1236 | 695959 | Starter–Mechanical (Touch N Mow) (Do Not Service Individual Parts, Only As A Whole) |
| 1059 | 692311 | Kit–Screw/Washer ———— Note ———— 696293 Kit–Screw/Washer (Touch N Mow) | 1134 | 224322 | Washer (Pawl Friction Plate) | | | ———— Note ———— 699914 Starter–Mechanical (Touch N Mow) (Do Not Service Individual Parts, Only As A Whole) Used on Type No(s). 1958, 2685. |
| 1095 | 498528 | Gasket Set–Valve | 1160 | 691627 | Screw (Interlock Switch) | 1330 | 270962 | Manual–Repair |
| 1102 | 691255 | Pilot–Guide | 1210 | 498144 | Pulley/Spring Assembly (Pulley) | | | |
| | | | 1211 | 498144 | Pulley/Spring Assembly (Spring) | | | |

★ Included in Engine Gasket Set–Ref. No.358.

● Included in Carburetor Overhaul Kit–Ref. No. 121.

◆ Included in Carburetor Gasket Set–Ref. No. 977.

∅ Included in Valve Gasket Set–Ref. No 1095.

Illustrations cover a range of engines. Parts shown without corresponding text may not be used on your specific engine.