

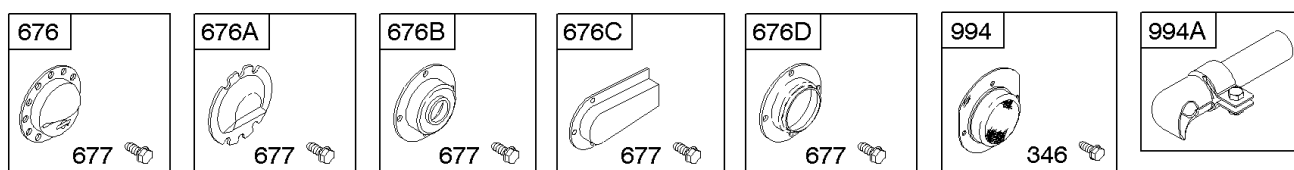
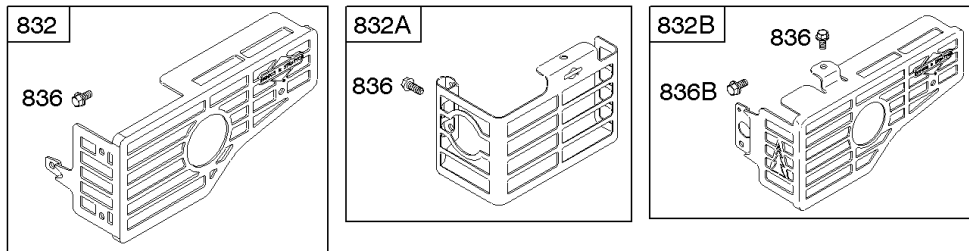
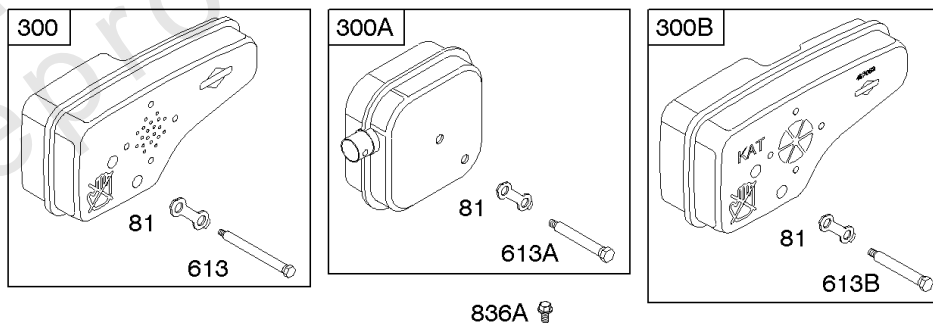
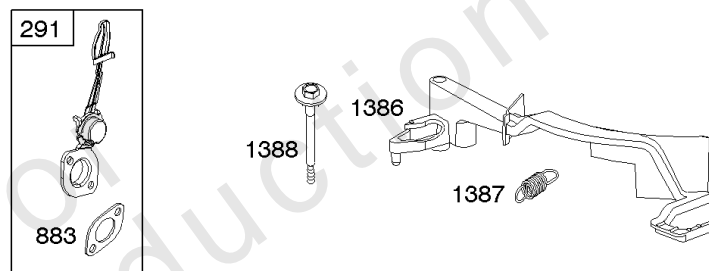
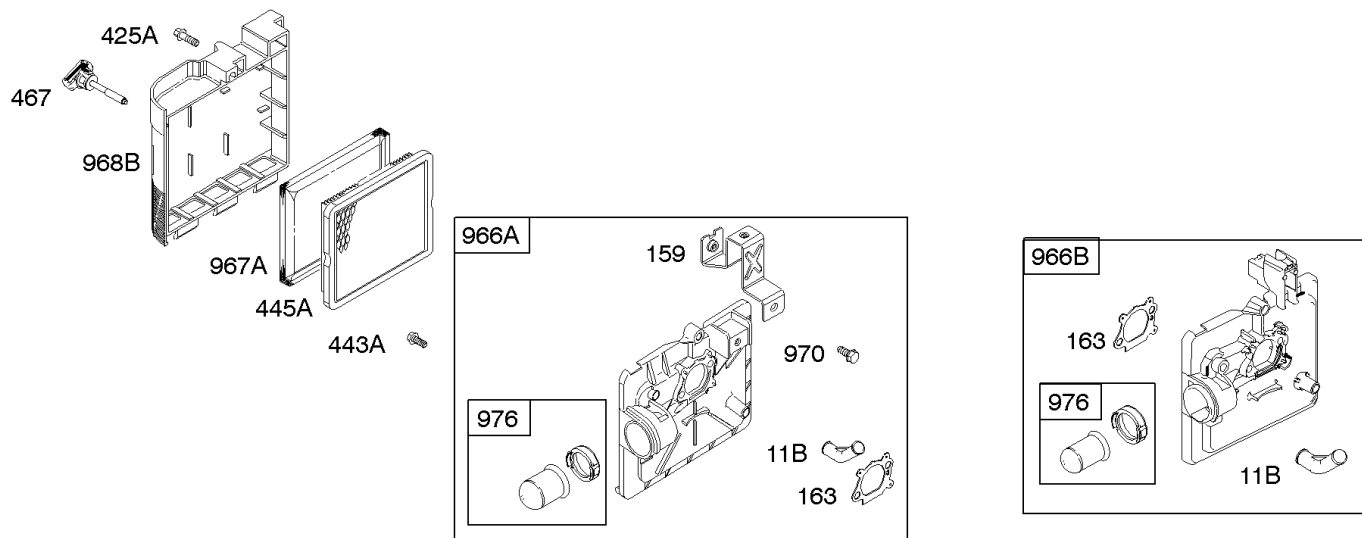


Parts Manual

Mfg. No: 12F802-2407-E2

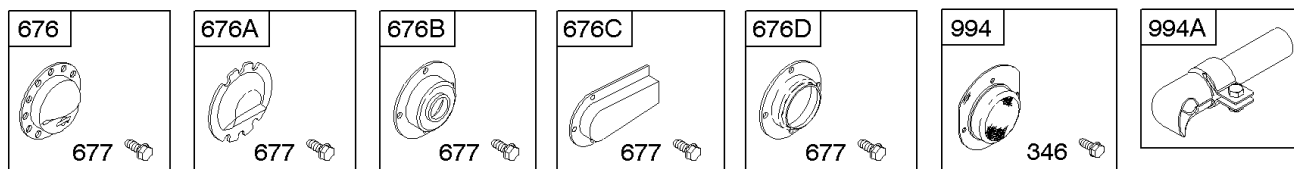
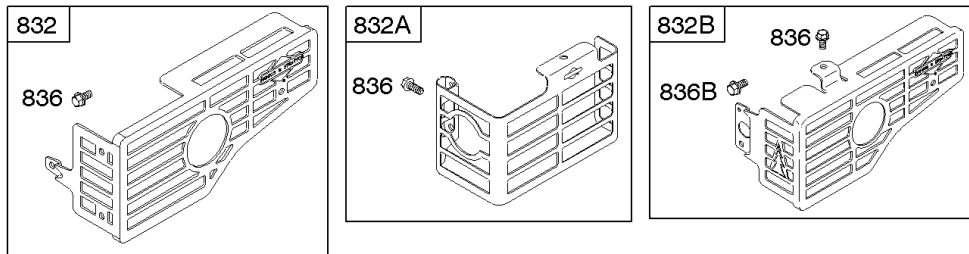
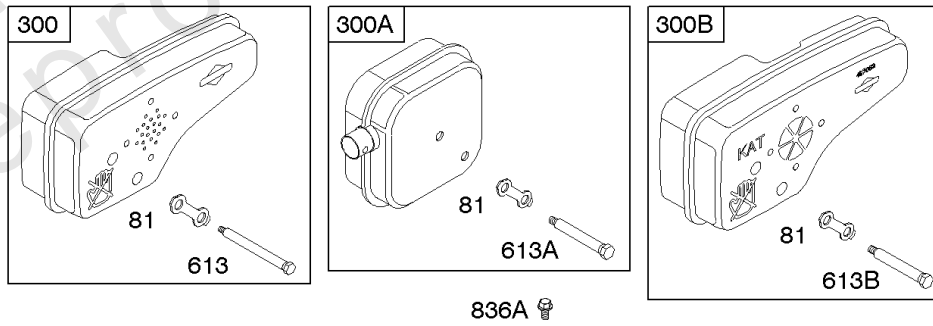
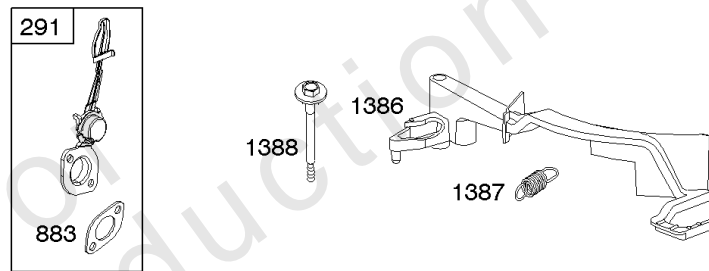
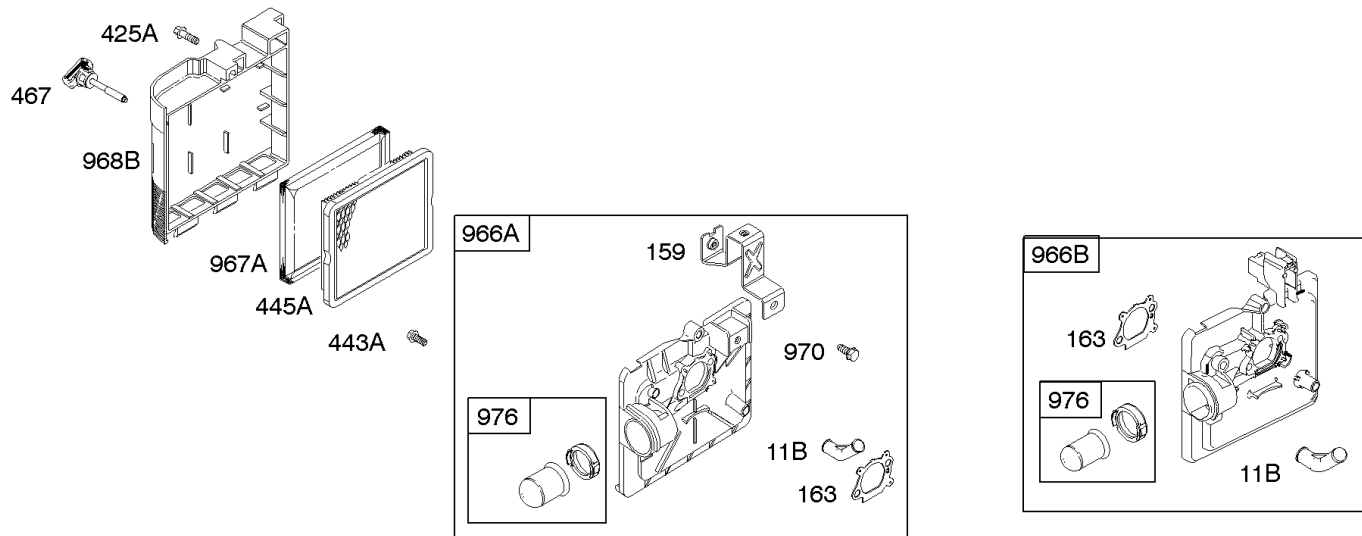
Model Components	Page
Air Cleaner, Exhaust System.....	4
Alternator, Electric Starter, Electrical, Flywheel Brake, Ignition.....	8
Blower Housing/Shrouds.....	12
Cams, Crankshaft, Cylinder, Engine Sump, Kit/Gaskets, Lubrication, Piston Group, Valves.....	14
Carburetor.....	24
Controls, Fuel Supply, Governor Spring.....	26
Flywheel, Rewind Starter.....	30

Not For
Reproduction



Air Cleaner, Exhaust System

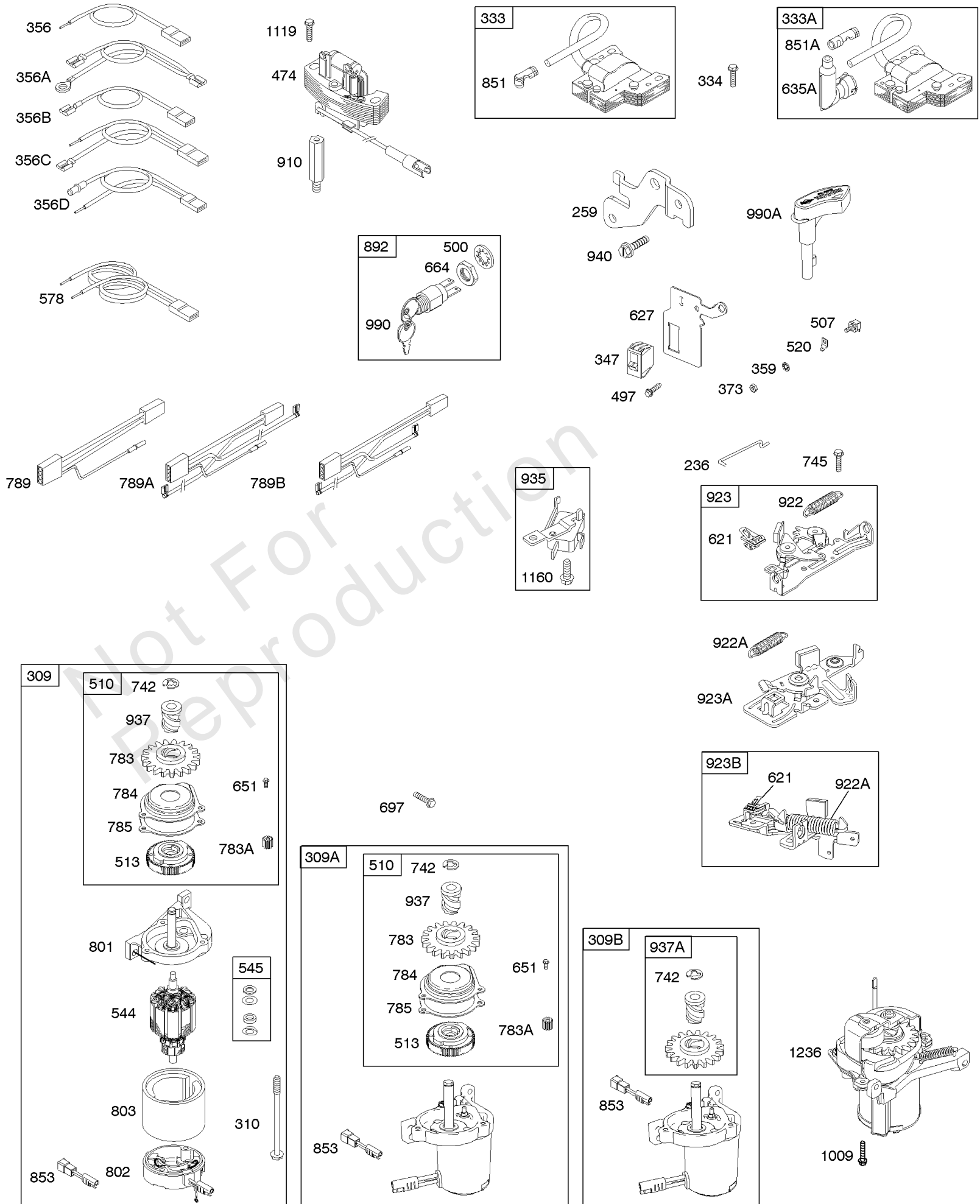
REF NO	PART NO	QTY	DESCRIPTION
11B	691923		Tube-Breather
81	691740		Lock-Muffler Screw
159	691753		Bracket-Air Cleaner Primer
163	272653S		Gasket-Air Cleaner
291	790830		Thermostat
300	496106S		Muffler -(Tuned)
300A	494343S		Muffler -(Square Lo Tone)
300B	497681		Muffler -(Catalyst)
346	690661		SCREW -(Spark Arrestor)
425A	690670		Screw -(Air Cleaner Cover)
443A	692523		Screw -(Air Cleaner Primer Base)
445A	491588S		FILTER, A/C Cartridge
467	790842		Knob-Air Cleaner Cover
613	691340		Screw -(Muffler)
613A	691653		Screw -(Muffler)
613B	691114		Screw -(Muffler)
676	396548		Deflector-Muffler -(Louvered)
676A	393756		Deflector-Muffler -(Side Out)(Shallow)
676C	493871		Deflector-Muffler -(Side Out)(Extended)(Horseshoe)
676D	497682		Deflector-Muffler -(For TUV)
676B	397931		Deflector-Muffler -(Direct Out)
677	690661		SCREW -(Muffler Deflector)
832	499034		Guard-Muffler -Used Before Code Date 11070100
832	590486		Guard-Muffler -Used After Code Date 11063000
832A	691424		Guard-Muffler
832B	497683		Guard-Muffler
836	690664		Screw -(Muffler Guard)
836A	690661		SCREW -(Muffler Guard)
836B	691147		Screw -(Muffler Guard)
883	691881		Gasket-Exhaust
966A	496116		Base-A/C Primer
966B	792040		Base-A/C Primer
967A	493537S		Filter-Pre Cleaner
968B	692298		Cover-Air Cleaner
970	691669		Screw -(Air Cleaner Primer Bracket)
976	694395		Primer-Carburetor



Air Cleaner, Exhaust System

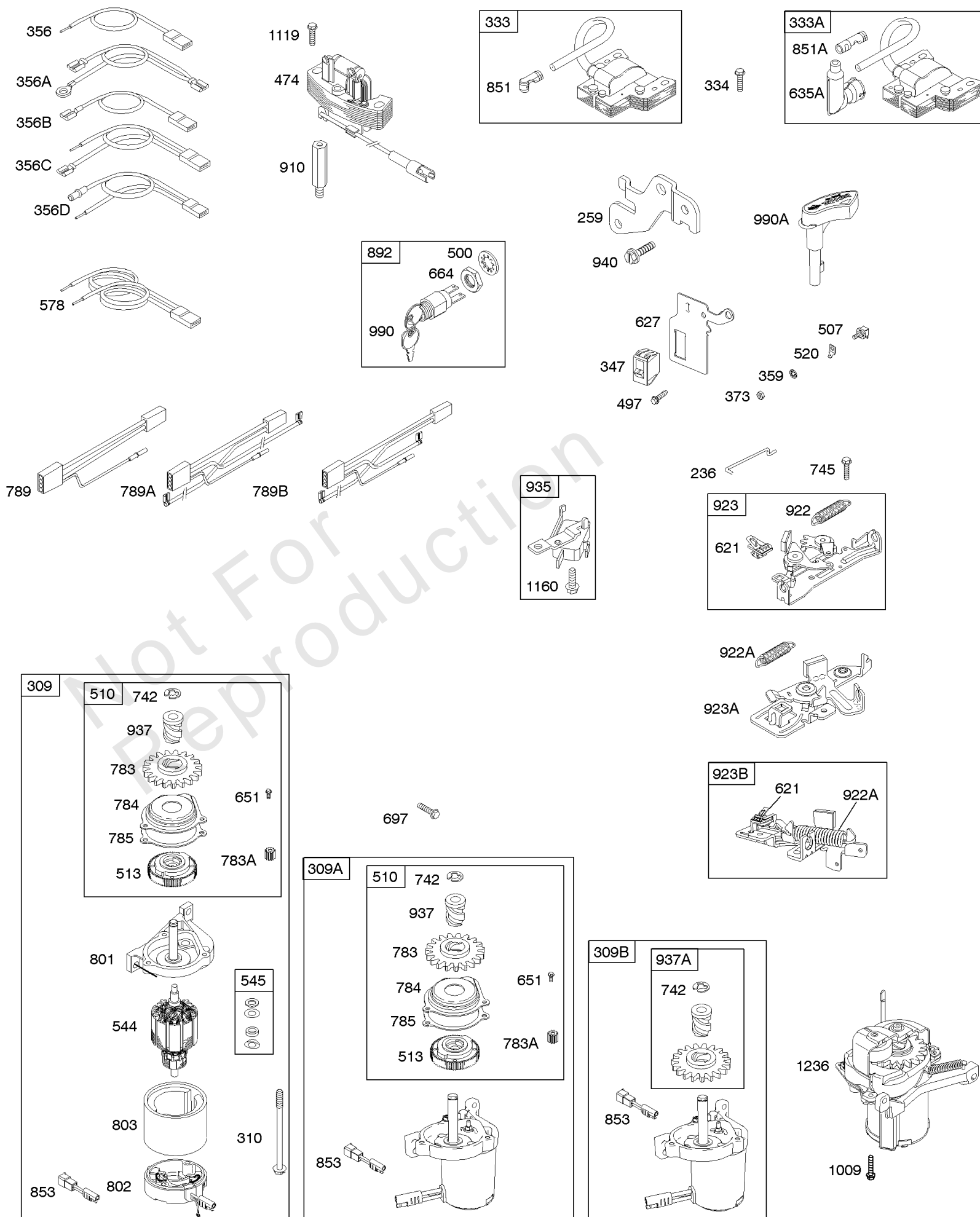
REF NO	PART NO	QTY	DESCRIPTION
994	398067		Arrestor-Spark
994A	692957		Arrestor-Spark
1386	790848		Vane-Air -(Autochoke System)
1387	790849		Spring-Air Vane
1388	790850		Screw -(Air Vane) (Auto Choke System)

Not For
Reproduction



Alternator, Electric Starter, Electrical, Flywheel Brake, Ignition

REF NO	PART NO	QTY	DESCRIPTION
236	691826		Link-Lockout
259	691223		Bracket-Casing Clamp
309	695550		Motor-Starter -Used Before Code Date 07052900
309A	795092		Motor-Starter -Used After Code Date 07052800 -Used Before Code Date 10112800
309B	799045		Motor-Starter -Used After Code Date 10112700
310	692327		Screw -(Starter Motor)
333	802574		Armature-Magneto
333A	793353		Armature-Magneto -(Snap In Spark Plug Boot)
333A	792640		Armature-Magneto -(Screw On Spark Plug Boot)
334	691061		SCREW -(Magneto Armature)
347	691396		Switch-Rocker
356	692390		Wire-Stop
356A	690650		Wire-Stop
356C	690808		Wire-Stop
356B	693010		Wire-Stop
356D	496381		Wire-Stop
359	691077		Washer -(Ground Terminal)
373	691612		NUT -(Ground Terminal)
474	691991		Alternator
497	690664		Screw -(Stopswitch Bracket)
500	691086		WASHER -(Key Switch)
507	691972		Insulator
510	795093		Drive-Starter
513	692358		Clutch-Drive
520	691084		Terminal-Ground
544	690786		Armature-Starter
545	492919		Washer Set -(Starter Motor)
578	398153		Wire Assembly
621	692310		Switch-Stop
627	692872		Bracket-Stopswitch
635A	793351		Boot-Spark Plug -(Snap In Style)
635A	792597		Boot-Spark Plug -(Screw On Style)
651	691660		Screw -(Starter Gear Cover)
664	691087		NUT -(Key Switch)
697	691127		SCREW -(Drive Cap)
742	93941		RETAINER, E Ring
745	691648		Screw -(Brake)
783	691918		Gear-Pinion

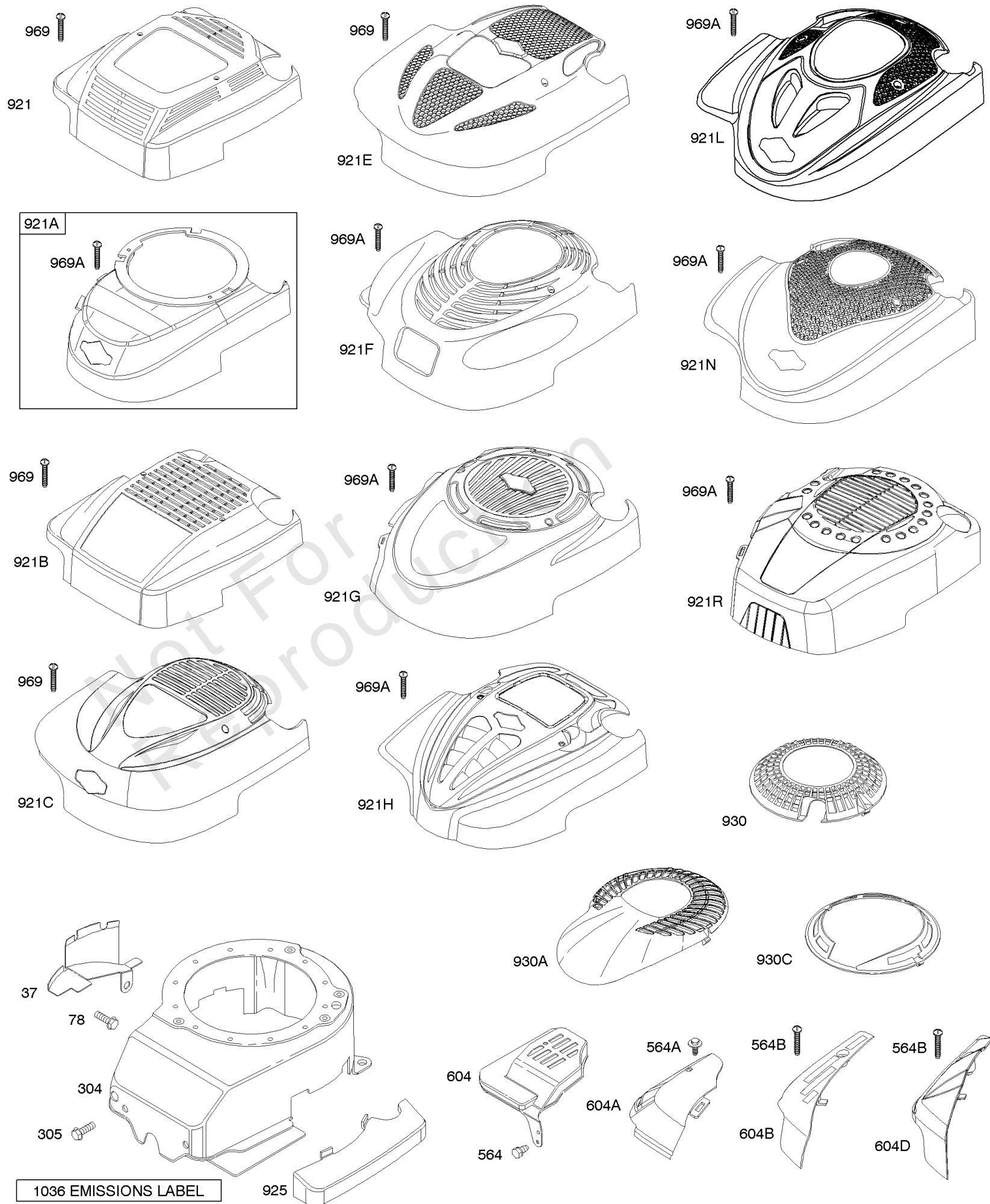


Alternator, Electric Starter, Electrical, Flywheel Brake, Ignition

REF NO	PART NO	QTY	DESCRIPTION
783A	691269		Gear-Pinion
784	795095		Cover-Starter Gear
785	692352		Gasket-Starter Cover
789	696546		Harness-Wiring -Used After Code Date 00040600
789	690790		Harness-Wiring -Used Before Code Date 00040700
789A	691372		Harness-Wiring -Used Before Code Date 00040700
789A	696547		Harness-Wiring -Used After Code Date 00040600
789B	494544		Harness-Wiring
801	690782		Cap-Drive
802	695267		Cap-End -Used After Code Date 00040600
802	695975		Cap-End -Used Before Code Date 00040700
803	695266		Housing-Starter -Used After Code Date 00040600
803	695975		Housing-Starter -Used Before Code Date 00040700
851	493880S		TERMINAL, Spark Plug
851A	692424		Terminal-Spark Plug
853	695268		Adapter-Wire
892	690646		SWITCH, Key
910	691094		Stud -(Alternator)
922	691831		Spring-Brake
922A	692135		Spring-Brake
923	796387		Brake -Used After Code Date 08043000
923A	695891		Brake -Used Before Code Date 08050100
923A	695891		Brake
935	499421		Switch-Interlock -Used Before Code Date 08050100
937	691325		Spline-Starter
937A	799420		Spline-Starter
940	691044		SCREW -(Casing Clamp Bracket)
990	691959		SET, Key
990A	695951		Key Set
1009	696255		Screw -(Starter Motor)
1119	691648		Screw -(Alternator)
1160	690345		Screw -(Interlock Switch)
1236	695959		Starter-Mechanical -(Touch N Mow)(Do Not Service Individual Parts, Only As A Whole)

Blower Housing/Shrouds

Mfg. No: 12F802-2407-E2



Blower Housing/Shrouds

REF NO	PART NO	QTY	DESCRIPTION
37	694086		Guard-Flywheel
78	691108		SCREW -(Flywheel Guard)
304	493294		Housing-Blower
305	691108		SCREW -(Blower Housing)
564	690664		Screw -(Control Cover)
564A	691142		Screw -(Control Cover)
564B	698589		Screw -(Control Cover)
604	691757		Cover-Control
604A	691344		Cover-Control
604B	790703		Cover-Control
604D	793770		Cover-Control
921	497233		Cover-Blower Housing
921A	695886		Cover-Blower Housing
921B	692932		Cover-Blower Housing -(Red)
921B	692931		Cover-Blower Housing -(Black)
921R	793771		Cover-Blower Housing
921C	695889		Cover-Blower Housing
921E	696262		Cover-Blower Housing
921F	697343		Cover-Blower Housing
921H	790037		Cover-Blower Housing
921G	790701		Cover-Blower Housing
921L	791026		Cover-Blower Housing
921N	792675		Cover-Blower Housing
925	690595		Cover-Linkage -Used Before Code Date 07072300
925	795403		Cover-Linkage -Used After Code Date 07072200
930	691919		Guard-Rewind -(Round)
930A	691345		Guard-Rewind -(Tear Drop)
930C	690598		Guard-Rewind -(Trim Ring)
969	690700		Screw -(Blower Housing Cover)
969A	691138		Screw -(Blower Housing Cover)
1036			Label-Emissions -(Available From A Briggs & Stratton Authorized Dealer)

1319 WARNING LABEL

WARNING

Read and follow all warning instructions before running engine.

Engine is hot. Allow engine to cool before touching or working on engine.

Engines emit carbon monoxide. CO will kill in an enclosed space.

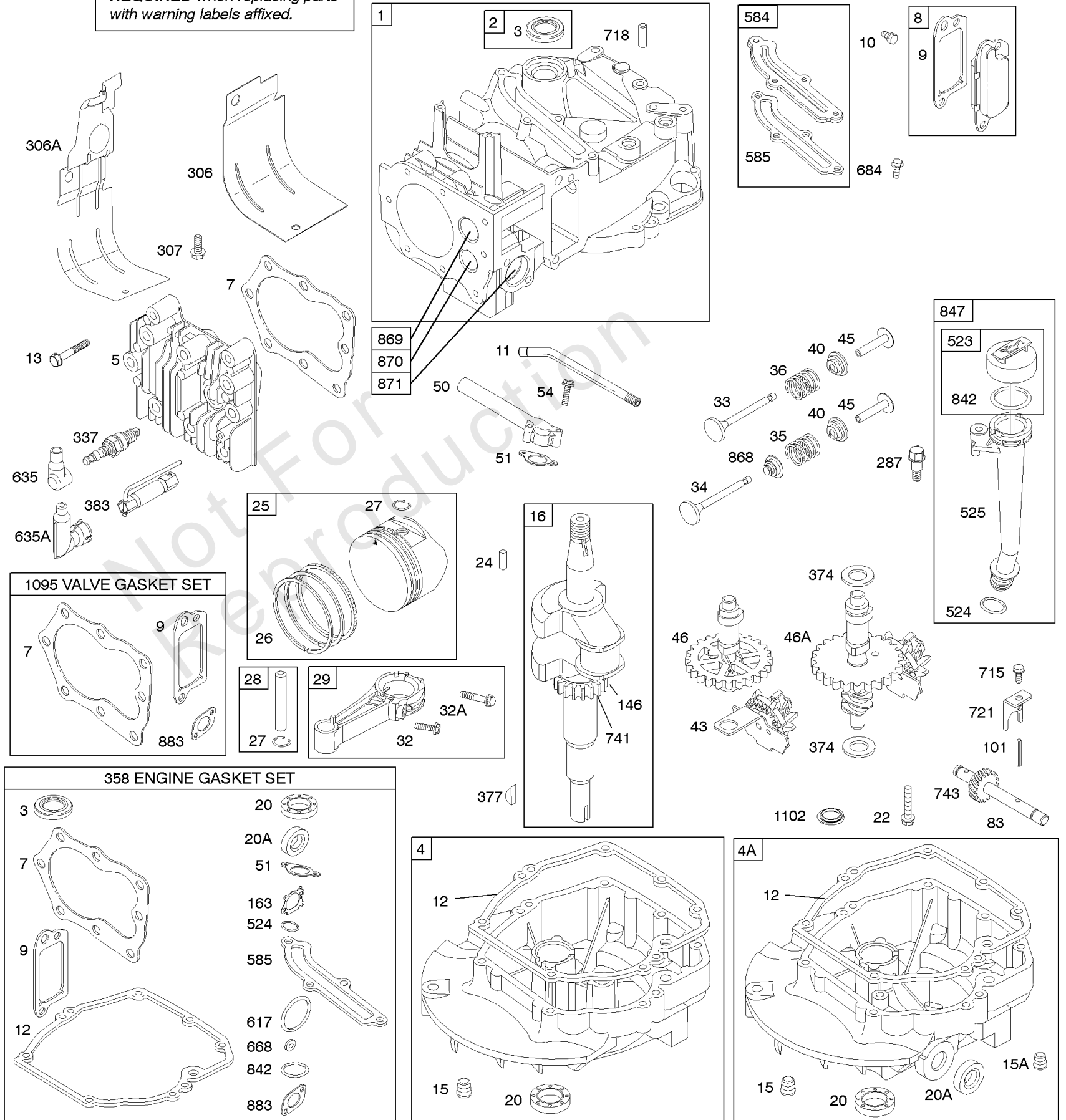
Do not touch engine parts. Do not touch hot parts.

REQUIRED when replacing parts with warning labels affixed.

1058 OPERATOR'S MANUAL

1330 REPAIR MANUAL

1019 LABEL KIT



Cams, Crankshaft, Cylinder, Engine Sump, Kit/Gaskets, Lubrication, Piston Group, Valves

REF NO	PART NO	QTY	DESCRIPTION
1	590401		Cylinder Assembly -Used After Code Date 11063000
1	697322		Cylinder Assembly -Used Before Code Date 11070100
2	399269		Kit-Bushing/Seal -(Magneto Side)
3	299819S		SEAL, Oil -(Magneto Side)
4	493279		Sump, Engine
4A	493365		Sump-Engine -(Auxiliary PTO)
5	590411		Head-Cylinder -Used After Code Date 11063000
5	691160		Head-Cylinder -Used Before Code Date 11070100
7	692249		Gasket-Cylinder Head -Used Before Code Date 11070100
7	799875		Gasket-Cylinder Head -Used After Code Date 11063000
8	590395		Breather Assembly -Used After Code Date 11063000
8	495786		Breather Assembly -Used Before Code Date 11070100
9	699472		Gasket-Breather -Used After Code Date 11063000
9	699833		Gasket-Breather -Used Before Code Date 11070100
10	94650		Screw -(Breather Assembly)
11	691781		Tube-Breather
12	692232		Gasket-Crankcase
13	690912		Screw -(Cylinder Head) -Used Before Code Date 11070100
13	590422		Screw -(Cylinder Head) -Used After Code Date 11063000
15	691680		Plug-Oil Drain -(Square Socket)
15A	691093		Plug-Oil Drain -(Hex Socket)
16	691455		Crankshaft -Used After Code Date 97011200
20	399781S		Seal-Oil -(PTO Side)
20A	691952		Seal-Oil -(PTO Side) (Auxiliary PTO)
22	691092		Screw -(Crankcase Cover/Sump)
24	222698S		KEY, Flywheel
25	797302		Piston Assembly -(Standard) -Used After Code Date 09041600 -Used Before Code Date 11070100
25	797303		Piston Assembly -(.020" Oversize) -Used After Code Date 09041600 -Used Before Code Date 11070100
25	493262		Piston Assembly -(Standard) -Used Before Code Date 97011300

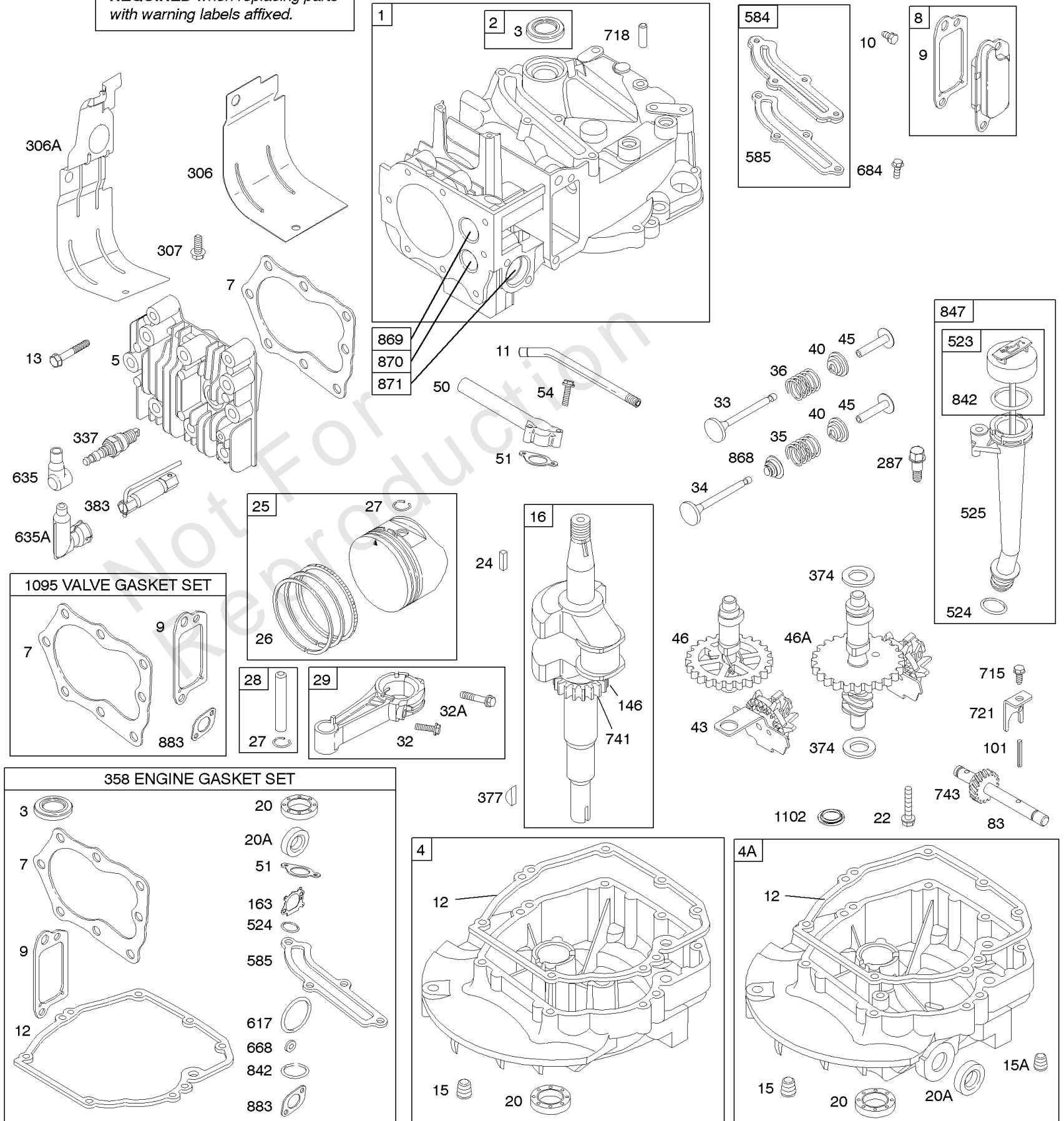
1319 WARNING LABEL

REQUIRED when replacing parts with warning labels affixed.

1058 OPERATOR'S MANUAL

1330 REPAIR MANUAL

1019 LABEL KIT



Cams, Crankshaft, Cylinder, Engine Sump, Kit/Gaskets, Lubrication, Piston Group, Valves

REF NO	PART NO	QTY	DESCRIPTION
25	493386		Piston Assembly -(.020" Oversize) -Used Before Code Date 97011300
25	493387		Piston Assembly -(.030" Oversize) -Used Before Code Date 97011300
25	590404		Piston Assembly -(Standard) -Used After Code Date 11063000
25	590405		Piston Assembly -(.020" Oversize) -Used After Code Date 11063000
25	791097		Piston Assembly -(Standard) -Used After Code Date 97011200 -Used Before Code Date 07090400
25	791326		Piston Assembly -(.020" Oversize) -Used After Code Date 97011200 -Used Before Code Date 07090400
25	795429		Piston Assembly -(Standard) -Used After Code Date 07090300 -Used Before Code Date 09041700
25	795430		Piston Assembly -(.020" Oversize) -Used After Code Date 07090300 -Used Before Code Date 09041700
26	797304		Ring Set -(Standard) -Used After Code Date 09041600 -Used Before Code Date 11070100
26	797305		Ring Set -(.020" Oversize) -Used After Code Date 09041600 -Used Before Code Date 11070100
26	493261		Ring Set -(Standard) -Used Before Code Date 97011300
26	493389		Ring Set -(.020" Oversize) -Used Before Code Date 97011300
26	493390		Ring Set -(.030" Oversize) -Used Before Code Date 97011300
26	499425		Ring Set -(Standard) -Used After Code Date 97011200 -Used Before Code Date 04031500
26	499427		Ring Set -(.020" Oversize) -Used After Code Date 97011200 -Used Before Code Date 04102200
26	590402		Ring Set -(Standard) -Used After Code Date 11063000
26	590403		Ring Set -(.020" Oversize) -Used After Code Date 11063000
26	791098		Ring Set -(Standard) -Used After Code Date 04031400 -Used Before Code Date 07090400
26	791324		Ring Set -(.020" Oversize) -Used After Code Date 04102100 -Used Before Code Date 07090400

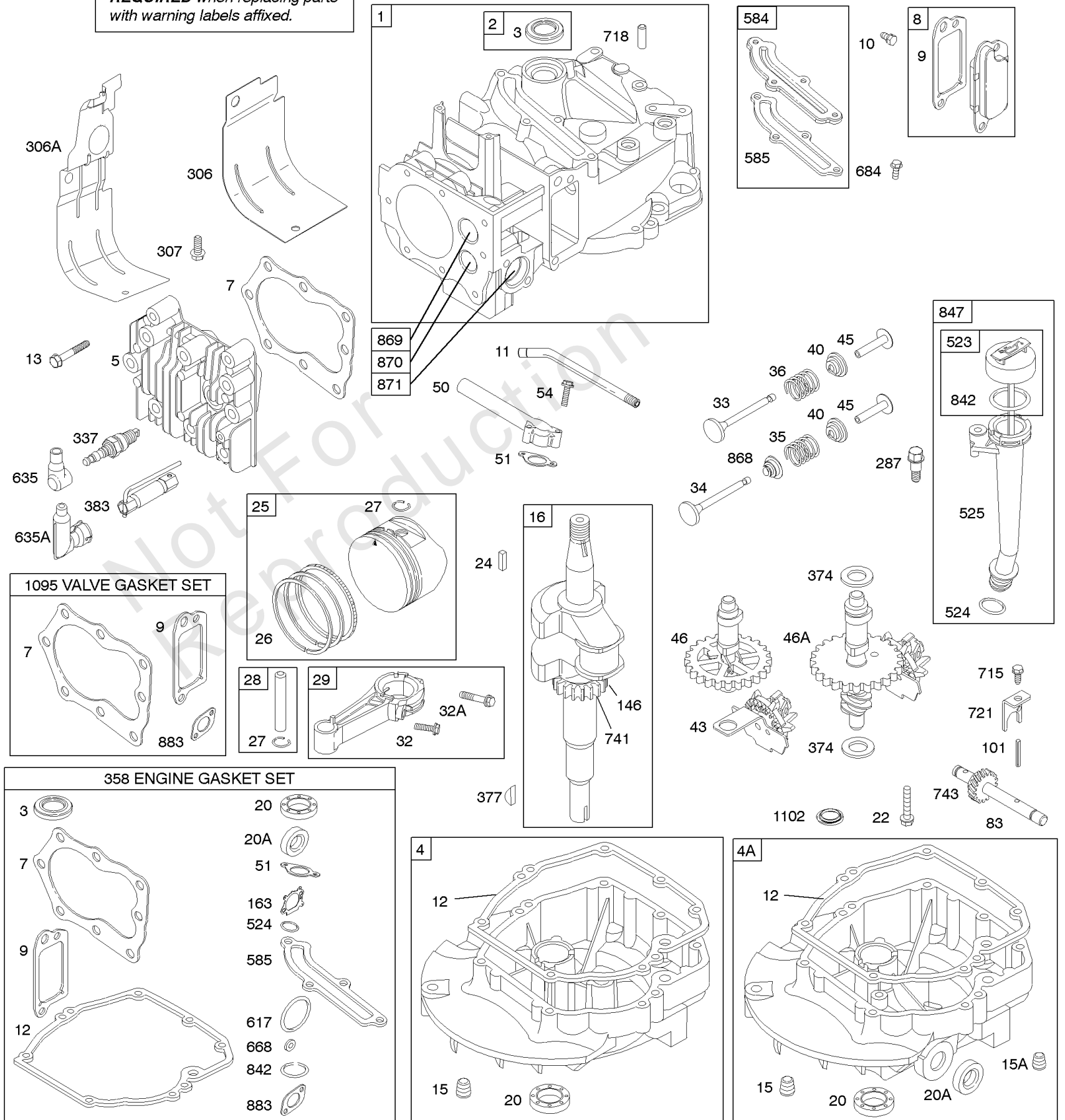
1319 WARNING LABEL

REQUIRED when replacing parts with warning labels affixed.

1058 OPERATOR'S MANUAL

1330 REPAIR MANUAL

1019 LABEL KIT



Cams, Crankshaft, Cylinder, Engine Sump, Kit/Gaskets, Lubrication, Piston Group, Valves

REF NO	PART NO	QTY	DESCRIPTION
26	795431		Ring Set -(Standard) -Used After Code Date 07090300 -Used Before Code Date 09041700
26	795432		Ring Set -(.020" Oversize) -Used After Code Date 07090300 -Used Before Code Date 09041700
27	691588		Lock-Piston Pin -Used Before Code Date 97011300
27	691866		Lock-Piston Pin -Used After Code Date 97011200
28	298908		Pin-Piston -(.005" Oversize) -Used Before Code Date 97011300
28	298909		Pin-Piston -(Standard) -Used Before Code Date 97011300
28	499423		Pin-Piston -(Standard) -Used After Code Date 97011200
29	490566		Rod-Connecting -(Standard) -Used Before Code Date 97011300
29	499424		Rod-Connecting -(Standard) -Used After Code Date 97011200
32	691664		Screw -(Connecting Rod)
32A	695759		Screw -(Connecting Rod) -Used After Code Date 00042200
33	590394		Valve-Exhaust -Used After Code Date 11063000
33	262651S		Valve-Exhaust -Used Before Code Date 11070100
34	262652S		Valve-Intake -Used Before Code Date 11070100
34	590393		Valve-Intake -Used After Code Date 11063000
35	691270		Spring-Valve -(Intake)
36	691270		Spring-Valve -(Exhaust)
40	692194		Retainer-Valve
43	691997		Slinger-Governor/Oil
45	690548		Tappet-Valve
46	492830		Camshaft -Used Before Code Date 96060300
46	691449		Camshaft -Used After Code Date 96060200
46A	691459		Camshaft -(Counterclockwise) -Used After Code Date 96060200
50	497465		Manifold-Intake
51	272199S		Gasket-Intake
54	691650		Screw -(Intake Manifold)
83	691778		Shaft-Auxiliary Drive
101	691623		Pin-Shaft

1319 WARNING LABEL

WARNING

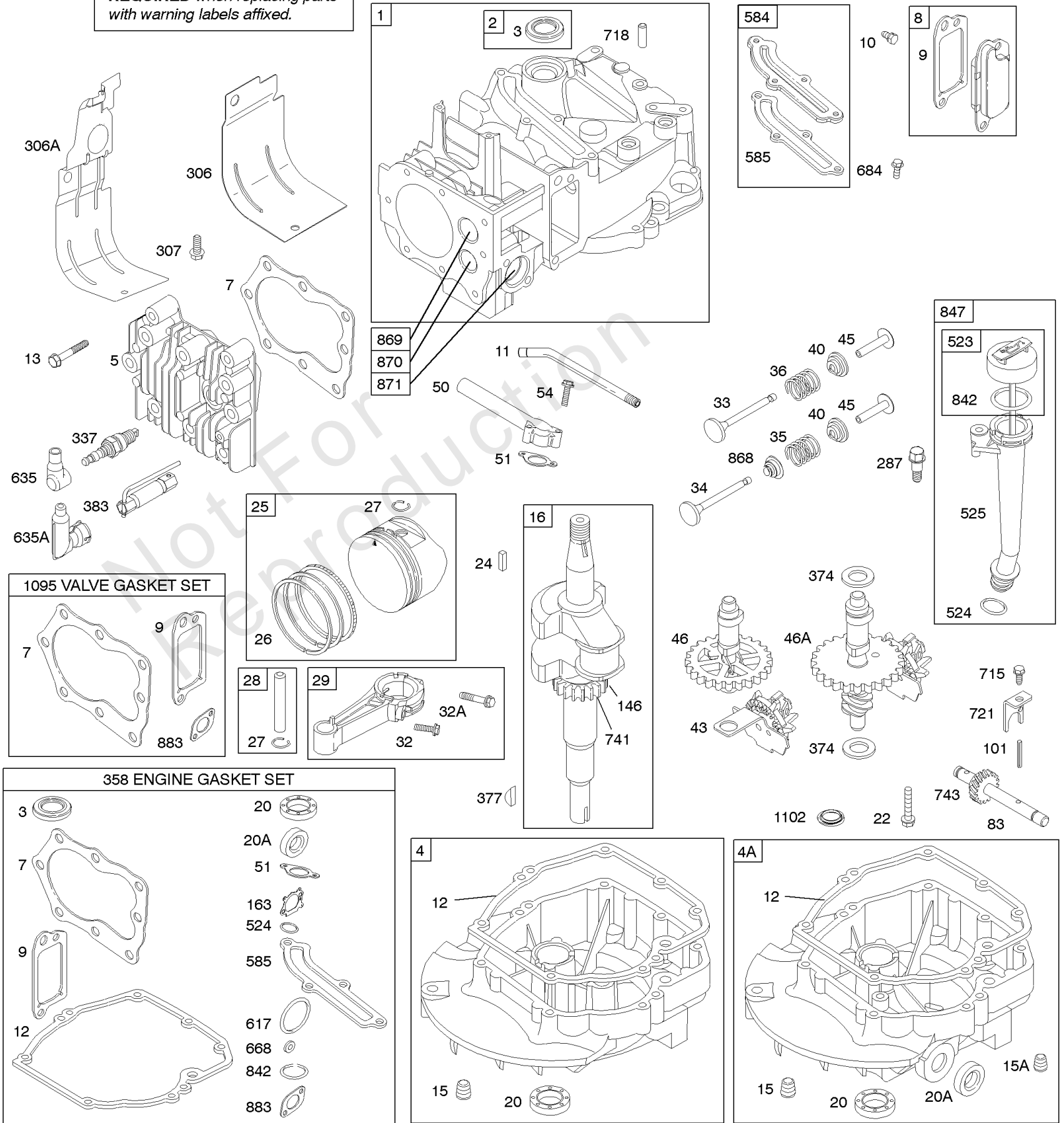
- 1. Read and follow all warning instructions before running engine.
- 2. Gasoline is toxic. Avoid spills to avoid fires or injuries before refueling.
- 3. Engines emit carbon monoxide. CO will kill in an enclosed space.
- 4. Allow engine temperatures to cool before refueling. Do not touch hot parts.

REQUIRED when replacing parts with warning labels affixed.

1058 OPERATOR'S MANUAL

1330 REPAIR MANUAL

1019 LABEL KIT



Cams, Crankshaft, Cylinder, Engine Sump, Kit/Gaskets, Lubrication, Piston Group, Valves

REF NO	PART NO	QTY	DESCRIPTION
146	690979		KEY, Woodruff
163	272653S		Gasket-Air Cleaner
287	690940		Screw -(Dipstick Tube)
306	690450		Shield-Cylinder
306A	790836		Shield-Cylinder
307	690345		Screw -(Cylinder Shield)
337	697451		Plug-Spark -(EMS) -Used Before Code Date 11070100
337	802592S		Plug-Spark -(Resistor) -Used Before Code Date 11070100
337	799876		Plug-Spark -Used After Code Date 11063000
358	590508		Gasket Set-Engine -Used After Code Date 11063000
358	497316		Gasket Set-Engine -Used Before Code Date 11070100
374	691074		Washer -(Camshaft)
377	692193		Key-Woodruff
383	89838S		Wrench-Spark Plug
523	499621		Dipstick
524	692296		Seal-Dipstick Tube
525	495265		Tube-Dipstick
584	697734		Cover-Breather Passage
585	691879		Gasket-Breather Passage
617	270344S		Seal-O Ring -(Intake Manifold)
635	66538S		BOOT, Spark Plug
635A	793351		Boot-Spark Plug -(Snap In Style)
635A	792597		Boot-Spark Plug -(Screw On Style)
668	493823		Spacer -(Includes 2)
684	690345		Screw -(Breather Passage Cover)
715	691147		Screw -(Stop Shaft)
718	690959		PIN, Locating
721	690449		Stop-Shaft
741	691830		Gear-Timing -(Uses Woodruff Key)
741	790345		Gear-Timing -(Use Without Woodruff Key) -Used Before Code Date 07100100
741	794388		Gear-Timing -(Use Without Woodruff Key) -Used After Code Date 07093000 -Used Before Code Date 08021800
741	795755		Gear-Timing -(Plastic) -Used After Code Date 08021700
741	797521		Gear-Timing -(Metal) -Used After Code Date 08021700

1319 WARNING LABEL

WARNING

Read and follow all warning instructions before running engine.

Do not use engine until it has been properly adjusted.

Engines emit carbon monoxide. CO will kill in an enclosed space.

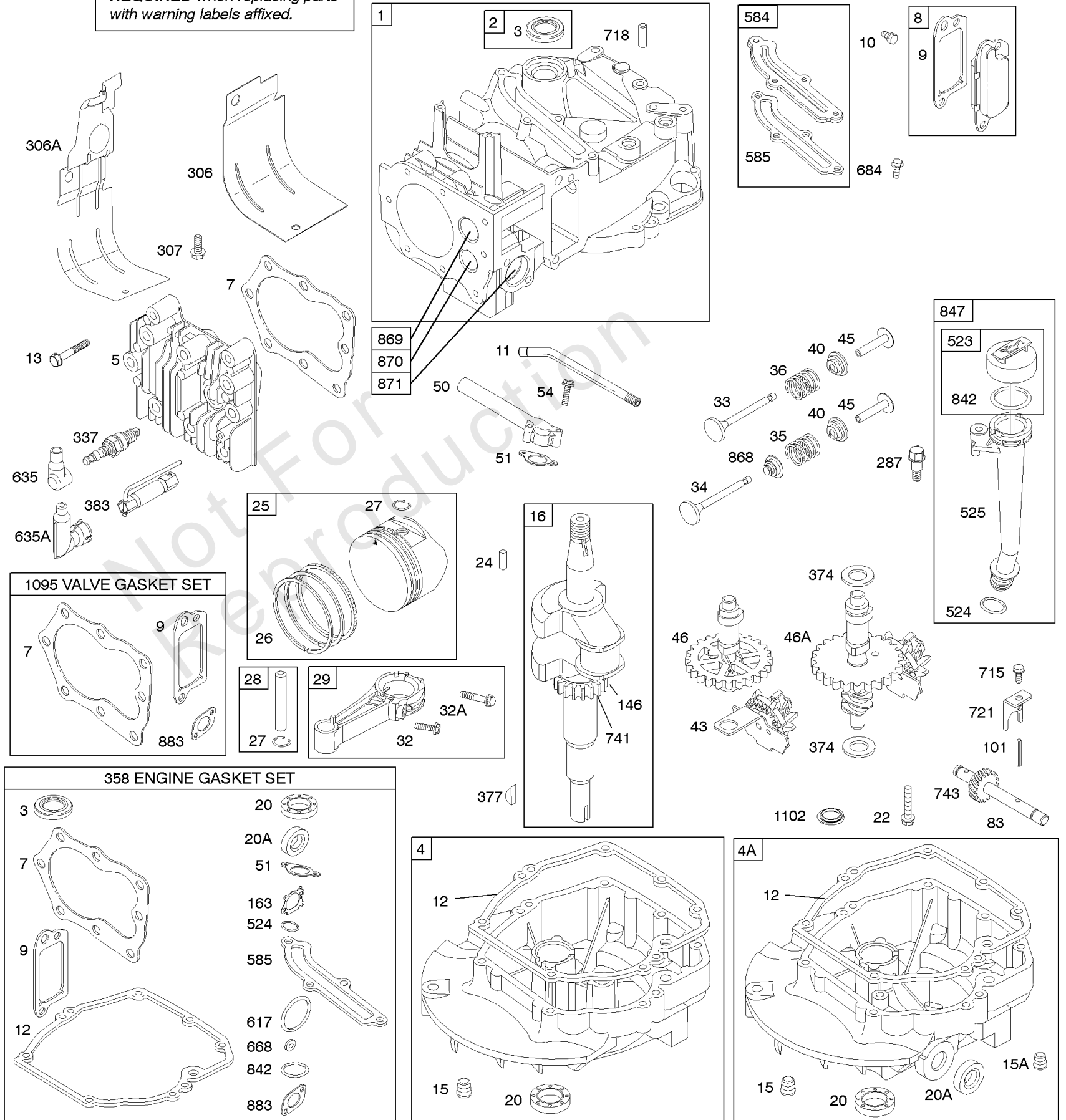
Do not touch hot parts.

REQUIRED when replacing parts with warning labels affixed.

1058 OPERATOR'S MANUAL

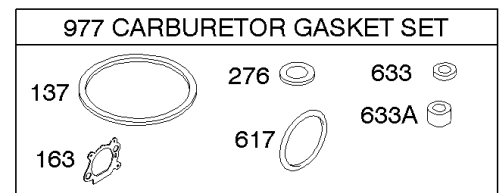
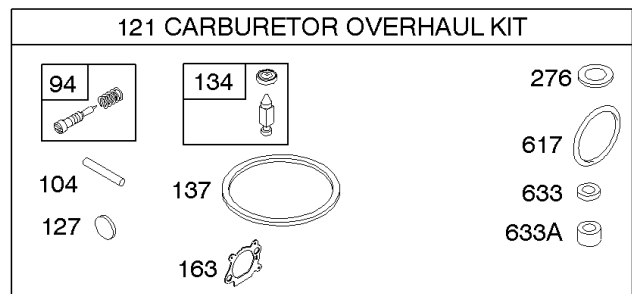
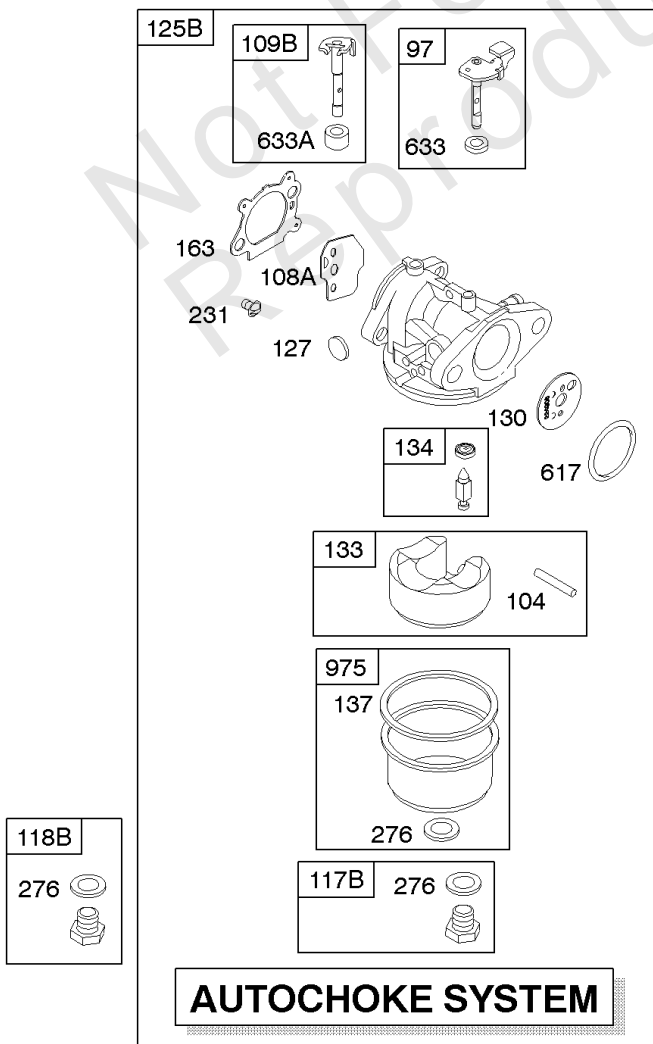
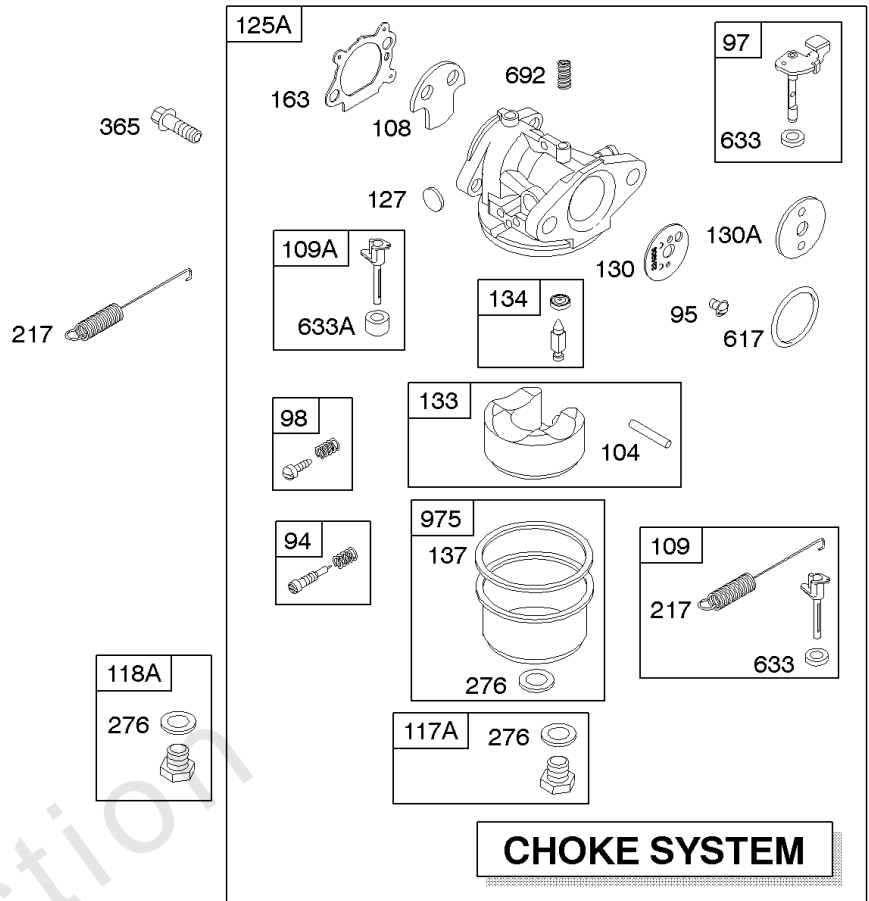
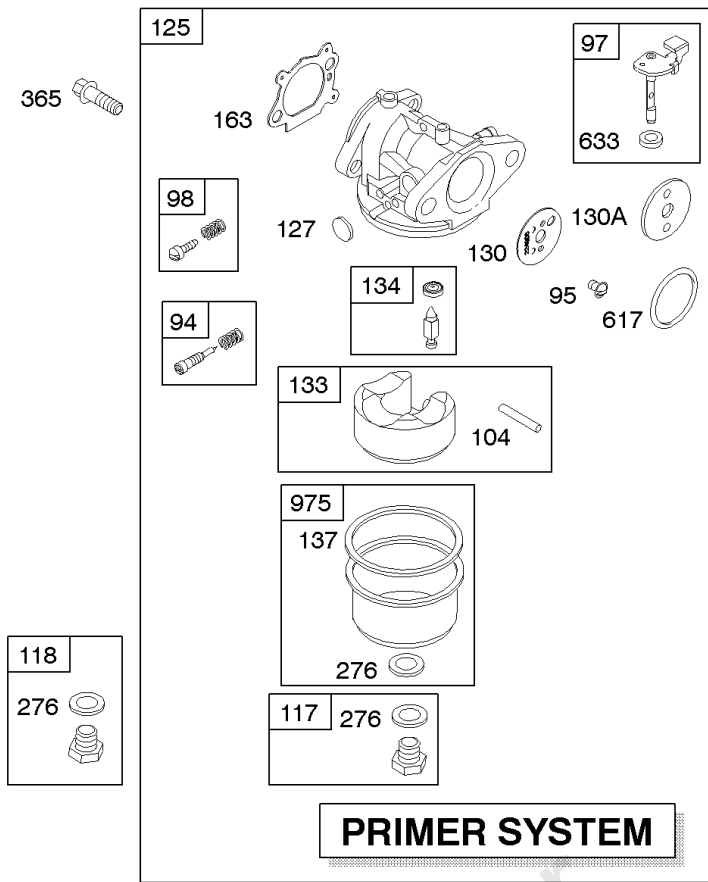
1330 REPAIR MANUAL

1019 LABEL KIT



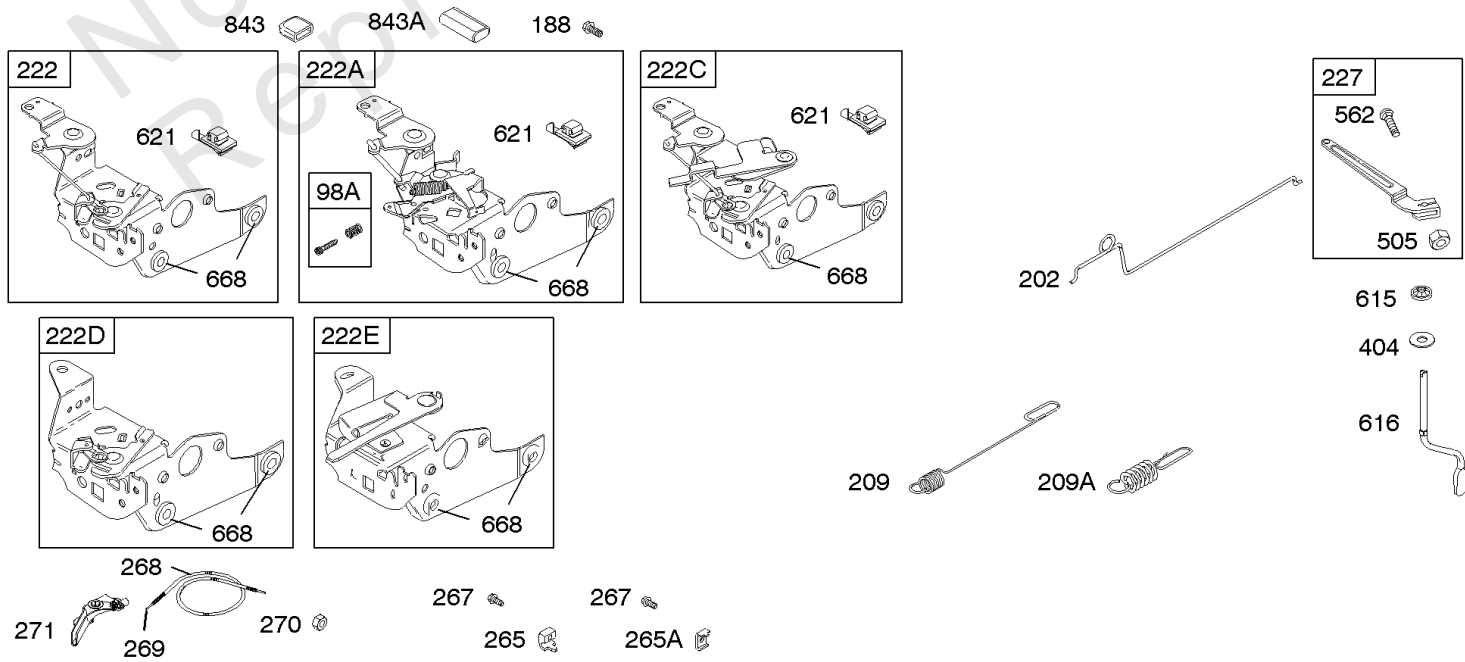
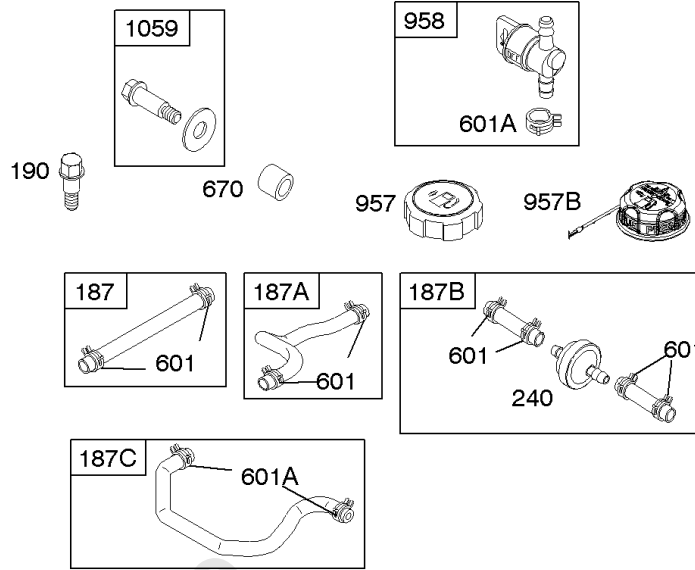
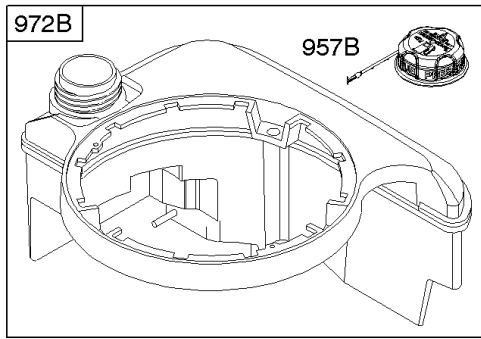
Cams, Crankshaft, Cylinder, Engine Sump, Kit/Gaskets, Lubrication, Piston Group, Valves

REF NO	PART NO	QTY	DESCRIPTION
743	691772		Gear-Drive -(Counterclockwise)
842	691031		SEAL, O-Ring -(Dipstick Tube)
847	692047		Dipstick/Tube Assembly
868	590410		Seal-Valve -Used After Code Date 11063000
868	697338		Seal-Valve -Used Before Code Date 11070100
869	691155		Seat-Valve -(Intake)
870	690380		Seat-Valve -(Exhaust)
871	262001		Bushing-Valve Guide -(Exhaust) -Used Before Code Date 11070100
871	590409		Bushing-Valve Guide -Used After Code Date 11063000
871	63709		Bushing-Valve Guide -(Intake) -Used Before Code Date 11070100
883	691881		Gasket-Exhaust
1019	494256		Kit-Label
1019	790231		Kit-Label -(Touch N Mow)
1058	277039TRI		Operator's Manual -Used Before Code Date 11070100
1058	380567TRI		Operator's Manual -Used After Code Date 11063000
1058	277101		Operator's Manual -(Touch N Mow)
1095	590507		Gasket Set-Valve -Used After Code Date 11063000
1095	498528		Gasket Set-Valve -Used Before Code Date 11070100
1102	691255		Pilot-Guide
1319	794467		LABEL, Warning
1330	270962		Repair Manual



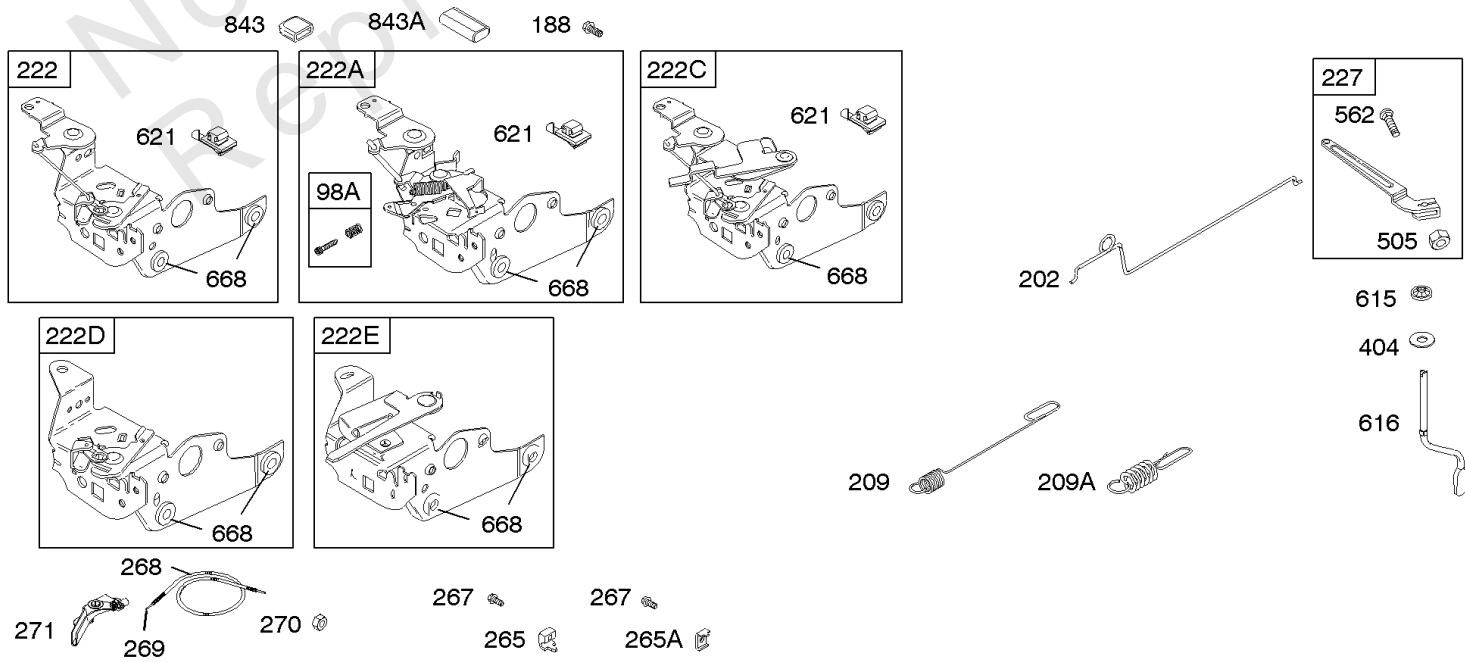
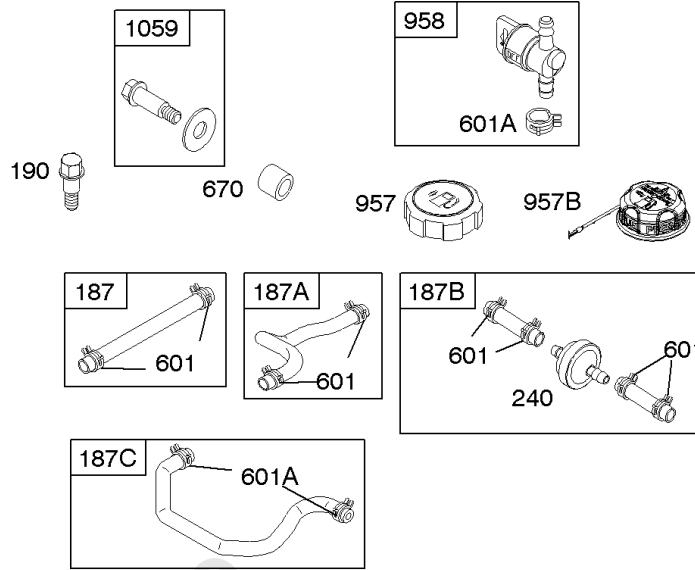
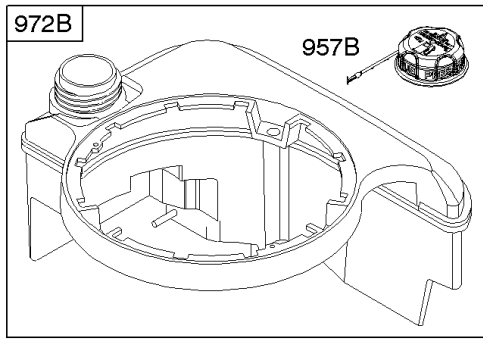
Carburetor

REF NO	PART NO	QTY	DESCRIPTION
94	493765		Kit-Idle Mixture
95	691636		Screw -(Throttle Valve)
97	493267		Shaft-Throttle -(Metal)
97	696565		Shaft-Throttle -(Plastic)
98	398185		Kit-Idle Speed
104	691242		Pin-Float Hinge
108	691182		Valve-Choke
108A	795935		Valve-Choke -Used After Code Date 08031200
108A	790844		Valve-Choke -Used Before Code Date 08031300
109A	498593		Shaft-Choke
117A	498978		Jet-Main -(Standard)
118A	498975		Jet-Main -(High Altitude)
121	498260		Kit-Carb Overhaul
125A	499059		Carburetor
127	694468		Plug-Welch
130	691203		Valve-Throttle
133	398187		Float-Carburetor
134	398188		Kit-Needle/Seat
137	693981		Gasket-Float Bowl -(1/16" Thick)
137	796610		Gasket-Float Bowl
163	272653S		Gasket-Air Cleaner
217	690354		Spring-Choke Return
231	691636		Screw -(Choke Valve)
276	271716		Washer-Sealing
365	691688		Screw -(Carburetor)
617	270344S		Seal-O Ring -(Intake Manifold)
633	691321		Seal-Choke/Thr Shaft
633A	693867		Seal-Choke/Thr Shaft
692	690572		Spring-Detent
975	493640		Bowl-Float
977	498261		Gasket Set-Carburetor



Controls, Fuel Supply, Governor Spring

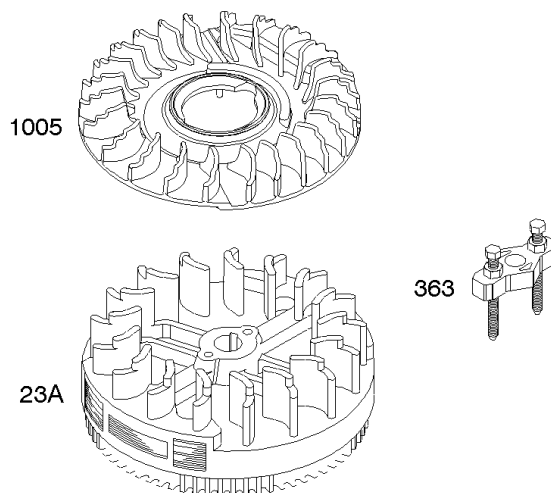
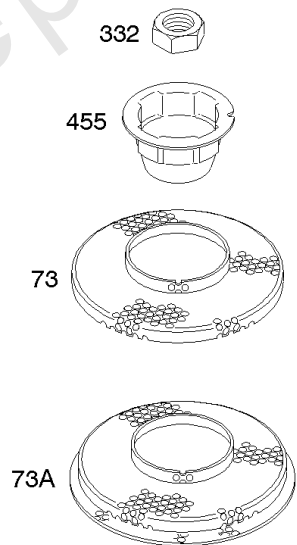
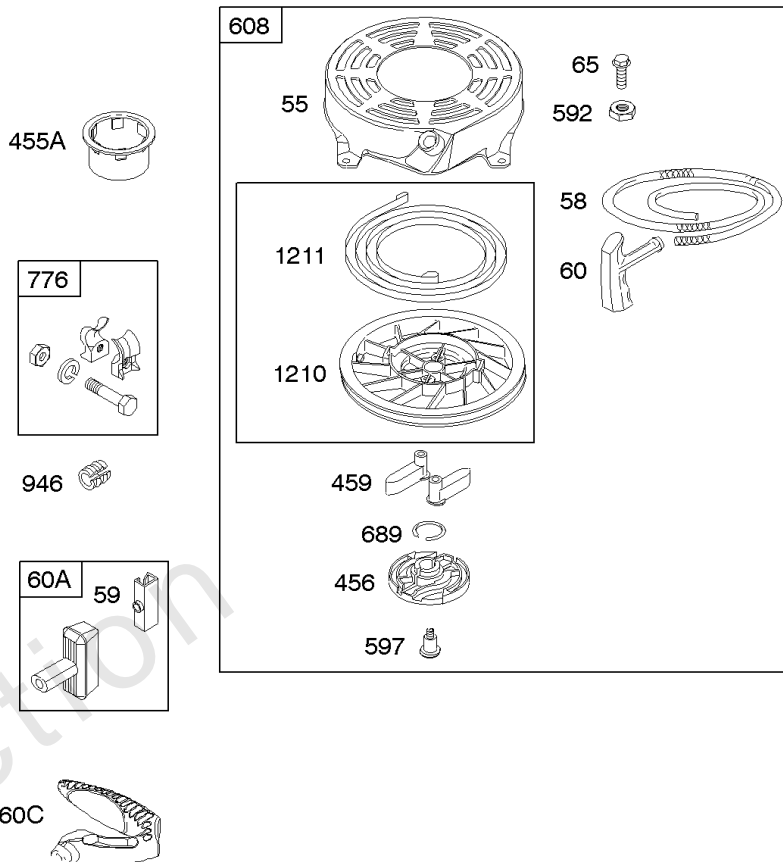
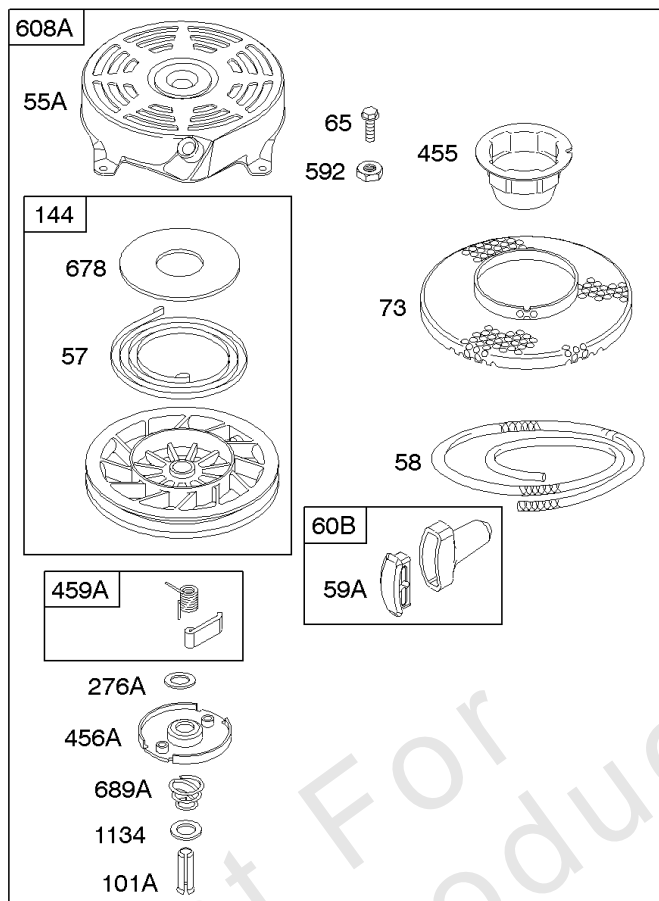
REF NO	PART NO	QTY	DESCRIPTION
98A	493280		Kit-Idle Speed
187	791766		LINE, Fuel -(Cut To Required Length)
187A	791873		Line-Fuel -(Molded)
187C	791875		Line-Fuel -(Molded)
187B	791891		Line-Fuel -(Includes Filter)
188	690877		Screw -(Control Bracket)
190	690940		Screw -(Fuel Tank)
202	691829		Link-Mechanical Governor
209	693187		Spring-Governor
222	790143		Bracket-Control -(Remote/Manual Friction)(Primer)
222A	692021		Bracket-Control -(Remote Choke & Choke-A-Matic)
222C	692150		Bracket-Control -(Remote/Manual Friction)(Variable Speed And 5 Position Manual Choke)
222D	692467		Bracket-Control -(Remote/Manual Friction)(Variable Speed And 5 Position Manual Choke, Without Stop Switch)
222E	692982		Bracket-Control -(Fixed Speed And 5 Position Manual Choke)
227	690783		Lever-Governor Control
240	298090S		Filter-Fuel
265	690798		Clamp-Casing
265A	691024		CLAMP, Casing
267	691044		SCREW -(Casing Clamp)
268	691025		CASING, Control Wire -(Cut To Required Length)
269	691026		WIRE, Control -(Cut To Required Length)
270	691027		NUT -(Control Wire Casing)
271	691028		Lever-Control
404	690272		WASHER -(Governor Crank)
505	691251		NUT -(Governor Control Lever)
562	92613		Bolt -(Governor Control Lever)
601	791850		CLAMP, Hose
601A	691038		CLAMP, Hose
615	690340		RETAINER, Governor Shaft
616	698801		Crank-Governor
621	692310		Switch-Stop
668	493823		Spacer -(Includes 2)
670	692294		Spacer-Fuel Tank
843	691884		Sleeve-Lever -(Speed Control)
843A	691895		Sleeve-Lever -(Choke)
957	397974S		Cap-Fuel Tank -(Plastic)



Controls, Fuel Supply, Governor Spring

REF NO	PART NO	QTY	DESCRIPTION
957B	699985		Cap-Fuel Tank -(Plastic)
958	698183		VALVE, Fuel Shut Off(PLT) -(Plastic)
972B	699374		Tank-Fuel -(Plastic)
1059	692311		Kit-Screw/Washer
1059	696293		Kit-Screw/Washer -(Touch N Mow)

Not For
Reproduction



Flywheel, Rewind Starter

REF NO	PART NO	QTY	DESCRIPTION
23A	691992		Flywheel
55	691421		Housing-Rewind Starter
55A	492831		Housing-Rewind Starter
57	491889		Spring-Rewind Starter
58	280399S		Rope-Starter -(Cut To Required Length)
59	692594		Insert-Grip
59A	396892		Insert-Grip
60	281434S		Grip-Starter Rope -(1 Piece)
60A	494212		Grip-Starter Rope -(2 Piece)
60C	799716		Grip-Starter Rope
60B	393152		Grip-Starter Rope
65	690837		Screw -(Rewind Starter)
73	691222		Screen-Rotating
73A	224527		Screen-Rotating
101A	262626		Pin-Shaft -(NO LONGER AVAILABLE)
144	493824		Pulley/Spring Assembly
276A	280973		Washer-Sealing
332	690662		Nut -(Flywheel)
363	19069		Puller-Flywheel
455	791960		Cup-Flywheel
455A	224250		Cup-Flywheel
456	692299		Plate-Pawl Friction
456A	224321		Plate-Pawl Friction
459	281505S		PAWL, Ratchet
459A	492833		Pawl-Ratchet
592	690800		Nut -(Rewind Starter)
597	691696		Screw -(Pawl Friction Plate)
608	497680		Starter-Rewind
608A	497598		Starter-Rewind
678	224278		Spacer-Rewind
689	691855		SPRING, Friction
689A	262625		Spring-Friction
776	396526		Guide-Rope
946	691738		Stop-Rope
1005	691346		Fan-Flywheel
1134	224322		Washer -(Pawl Friction Plate)
1210	498144		Pulley/Spring Assembly -(Pulley) (Pulley)
1211	498144		Pulley/Spring Assembly -(Spring) (Spring)

