



# Illustrated Parts List

## Model Series

# 15T200

TYPE NUMBERS  
0023 through 1749.

### TABLE OF CONTENTS

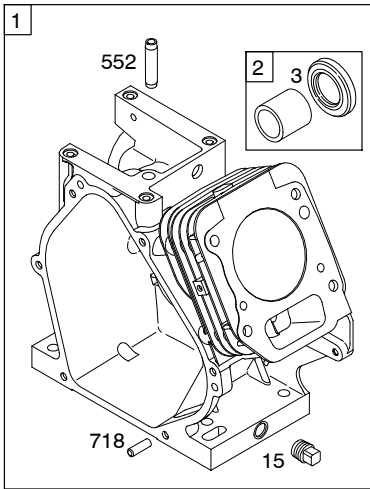
<b>Air Cleaner</b> .....	6
<b>Blower Housing</b> .....	8
<b>Camshaft</b> .....	2
<b>Carburetor</b> .....	5
<b>Controls</b> .....	7
<b>Crankcase Cover</b> .....	3
<b>Crankshaft</b> .....	2
<b>Cylinder</b> .....	2
<b>Cylinder Head</b> .....	4
<b>Electric Starter</b> .....	8
<b>Exhaust System</b> .....	6
<b>Flywheel</b> .....	8
<b>Fuel Supply</b> .....	5
<b>Governor Spring</b> .....	7
<b>Ignition</b> .....	7
<b>Kits/Gaskets - Carburetor</b> .....	5
<b>Kits/Gaskets - Engine</b> .....	2
<b>Kits/Gaskets - Valve</b> .....	4
<b>Lubrication</b> .....	3
<b>Piston Group</b> .....	2
<b>Rewind Starter</b> .....	8



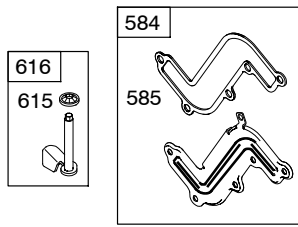
PRINTED IN U.S.A.

COPYRIGHT by BRIGGS & STRATTON CORPORATION  
All rights reserved. No part of this material may be reproduced or transmitted,  
in any form or by any means, electronic or mechanical, including photocopying,  
recording or by any information storage and retrieval system, without permission  
in writing from Briggs & Stratton Corporation.

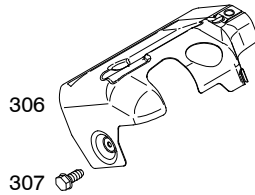
# 15T200



15A



684



1319 WARNING LABEL

**REQUIRED** when replacing parts with warning labels affixed.

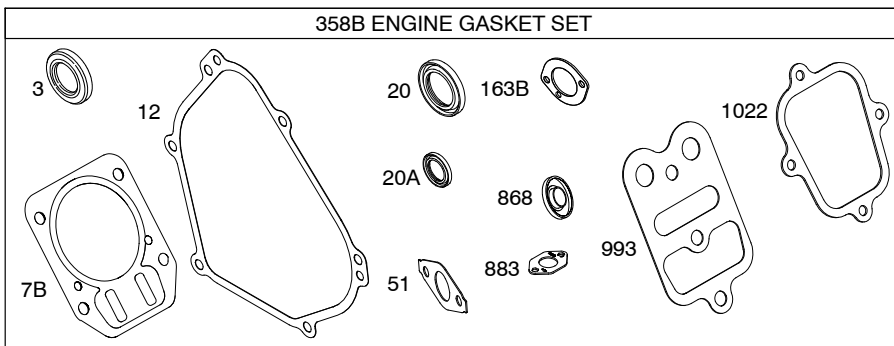
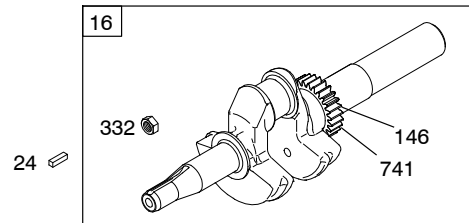
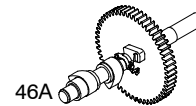
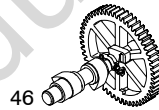
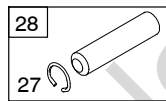
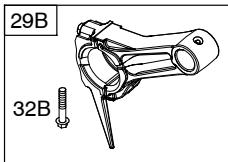
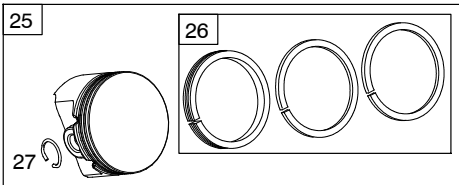
1319A WARNING LABEL

**REQUIRED** when replacing parts with warning labels affixed.

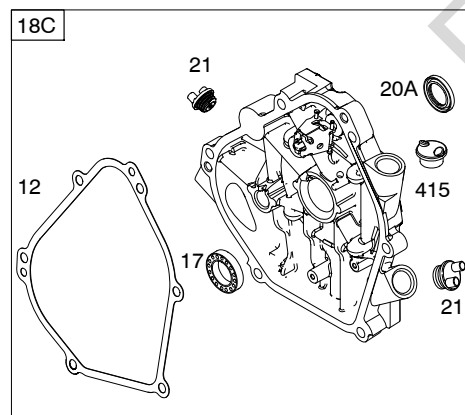
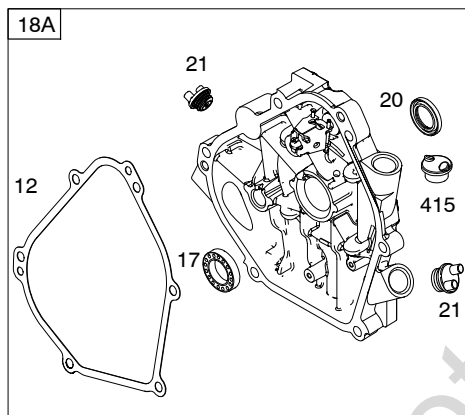
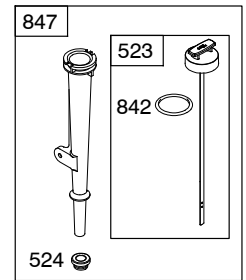
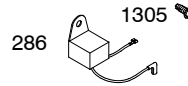
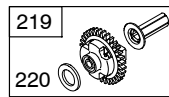
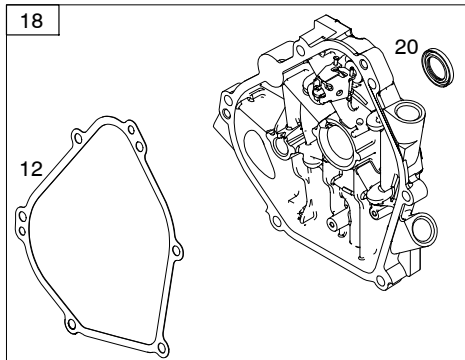
1058 OPERATOR'S MANUAL

1330 REPAIR MANUAL

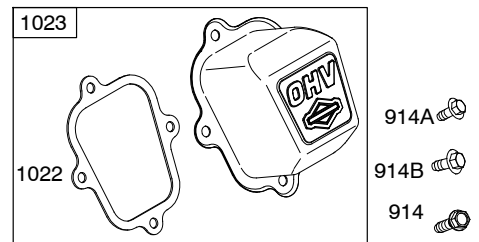
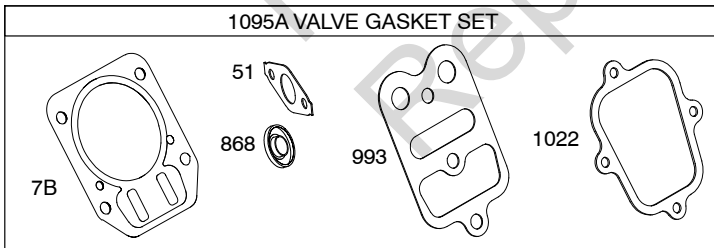
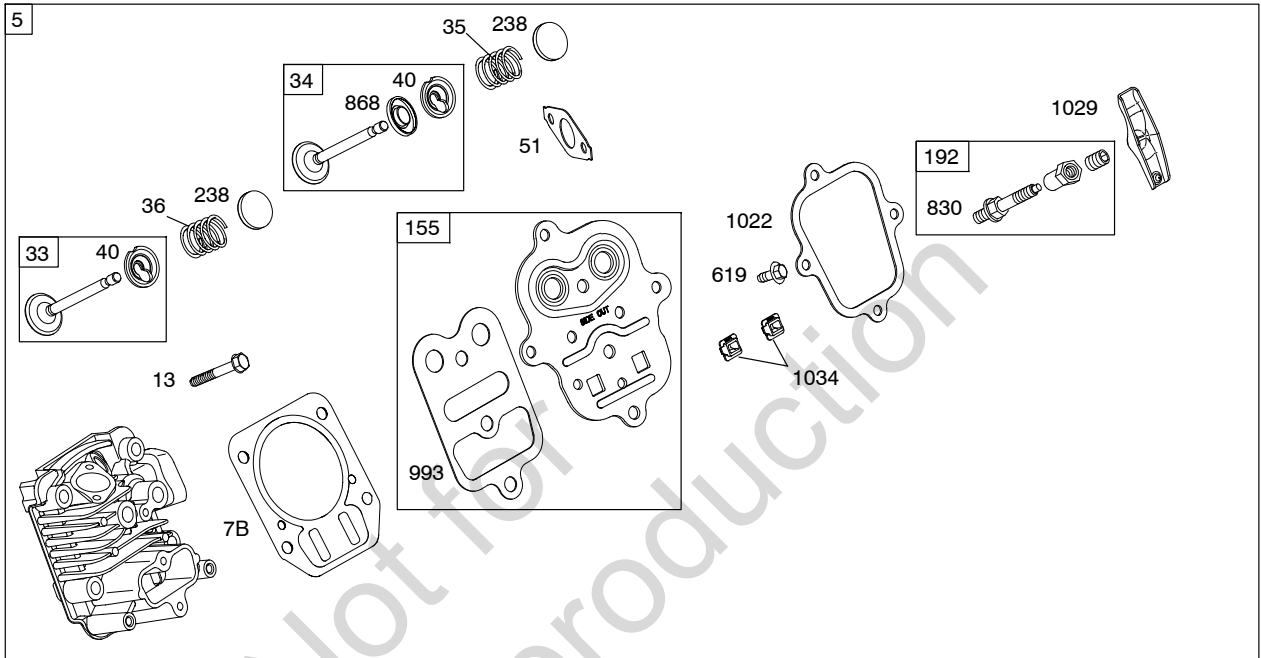
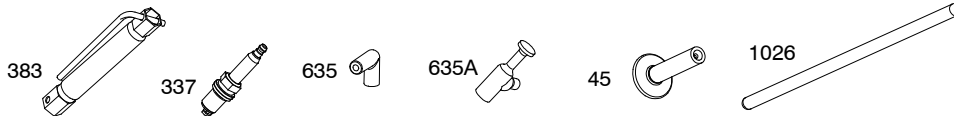
1036 EMISSIONS LABEL

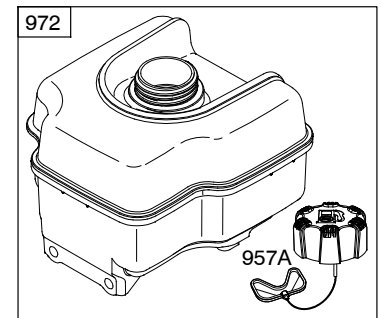
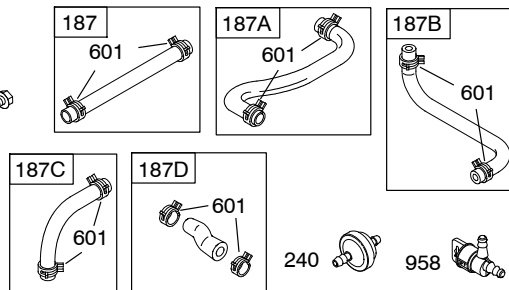
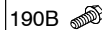
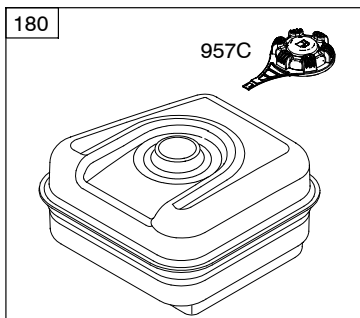
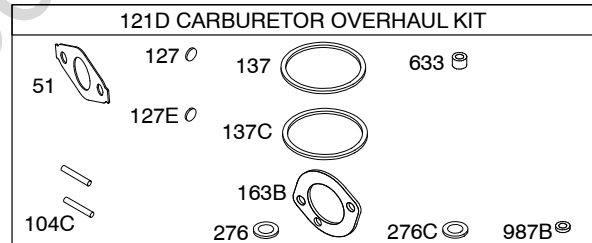
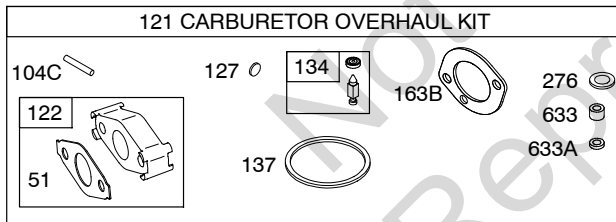
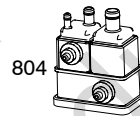
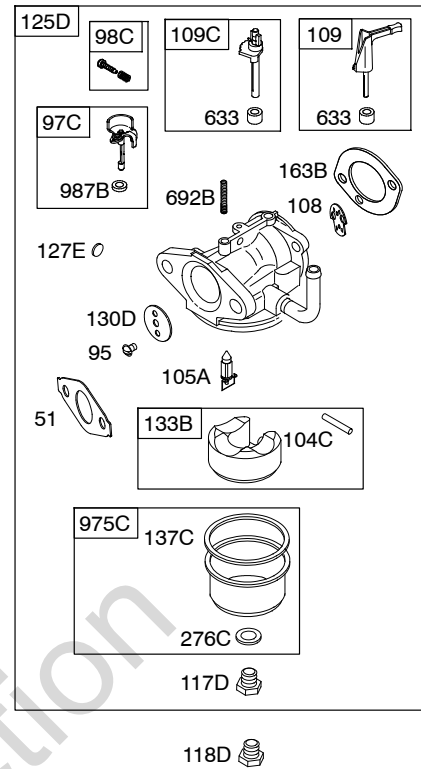
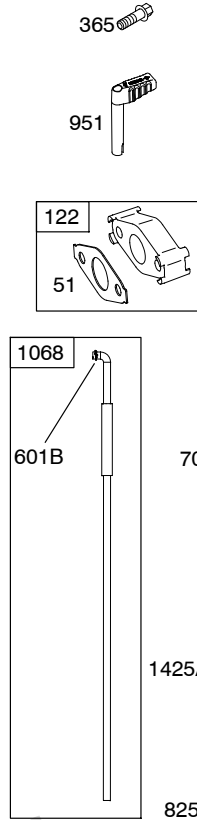
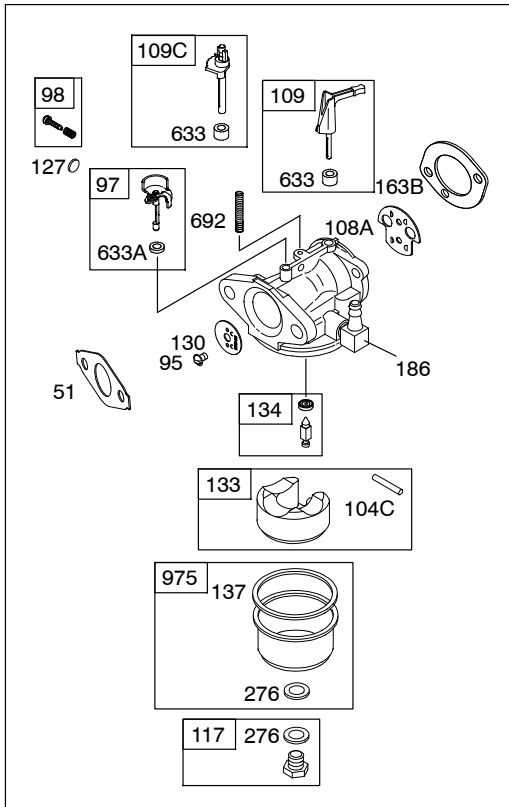


Illustrations cover a range of engines. Parts shown without corresponding text may not be used on your specific engine.  
 10000-2 Assemblies include all parts shown in frames. 09/21/2012

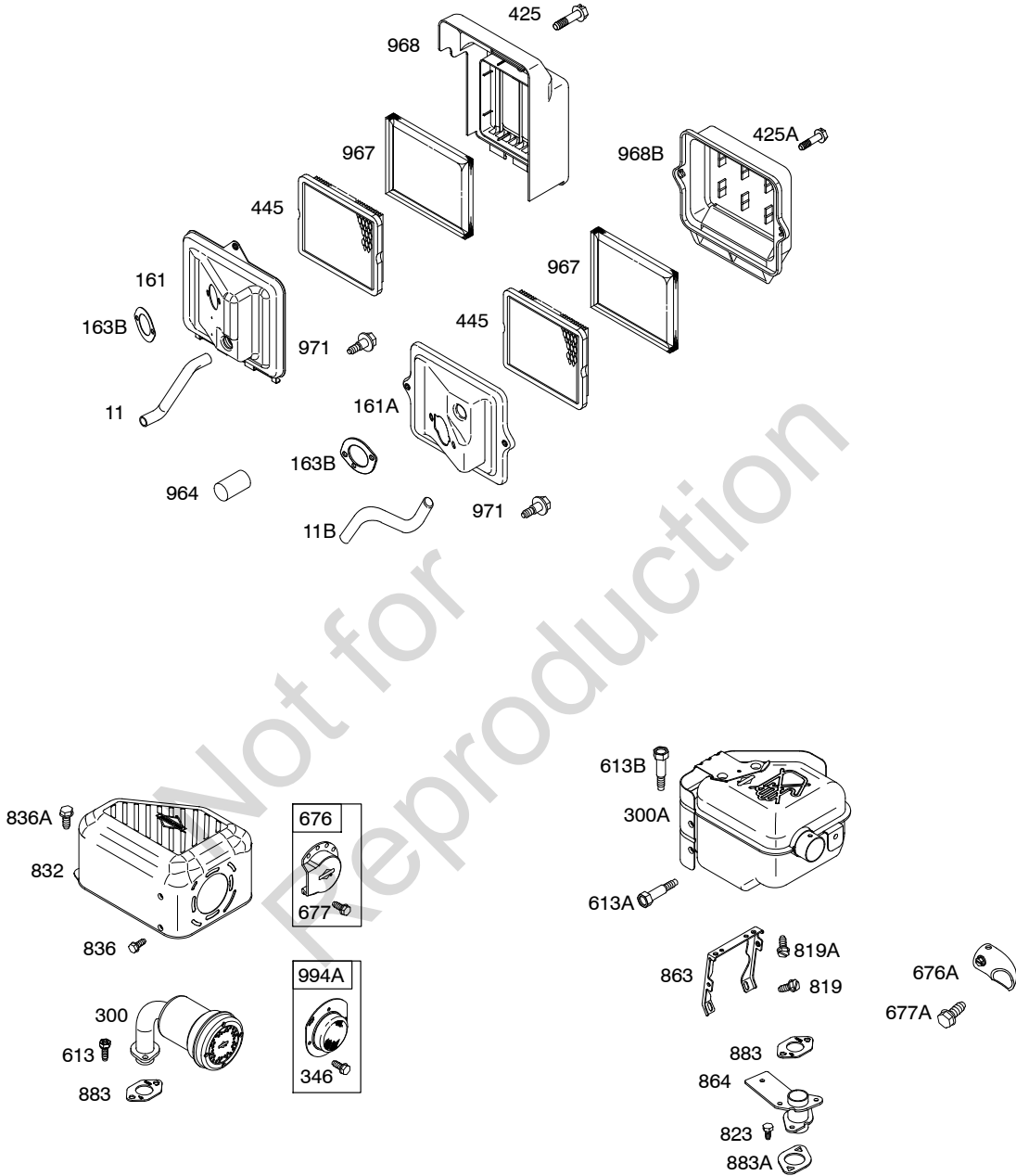


Not for  
Reproduction

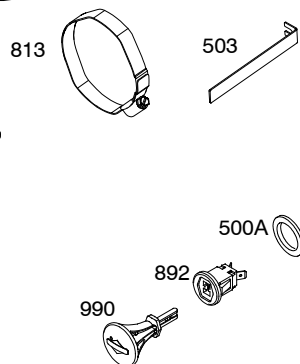
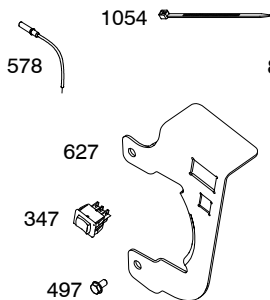
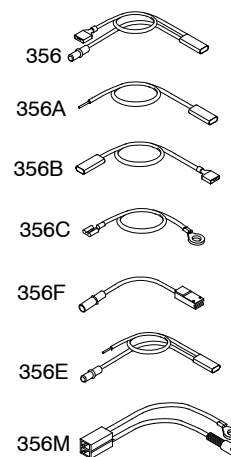
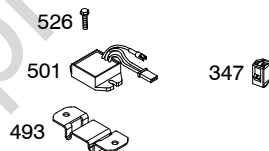
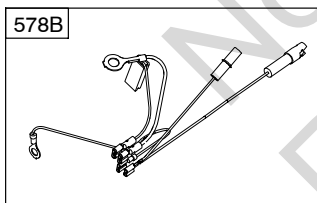
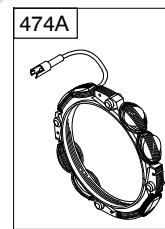
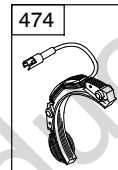
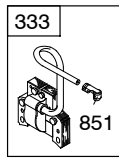
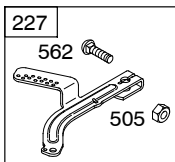
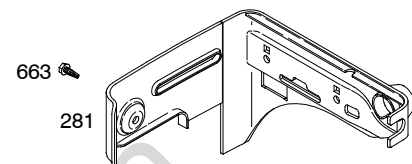
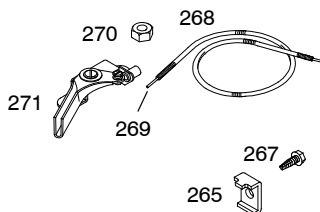
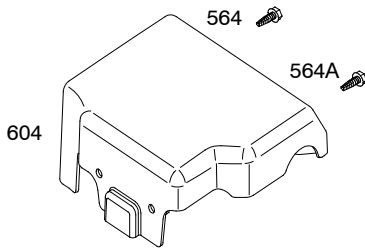
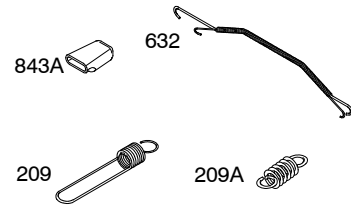
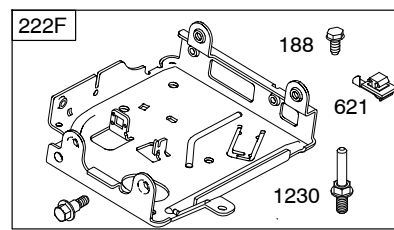
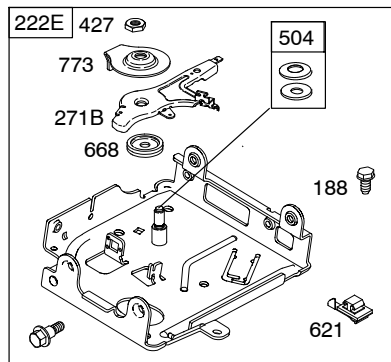
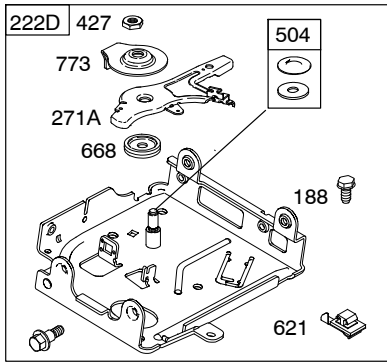




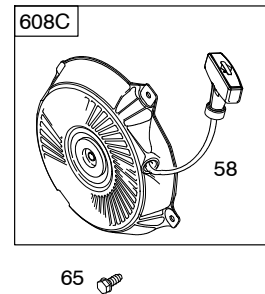
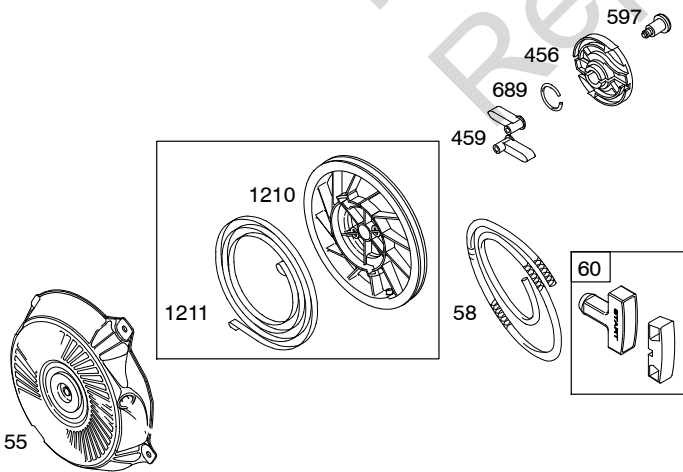
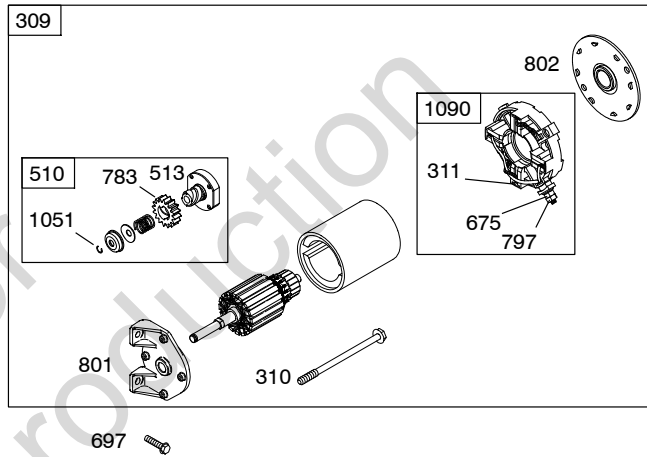
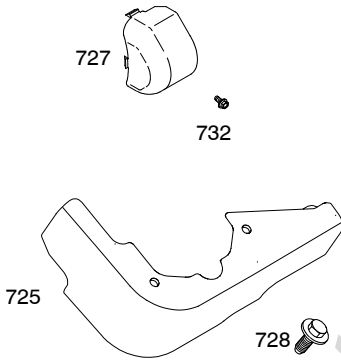
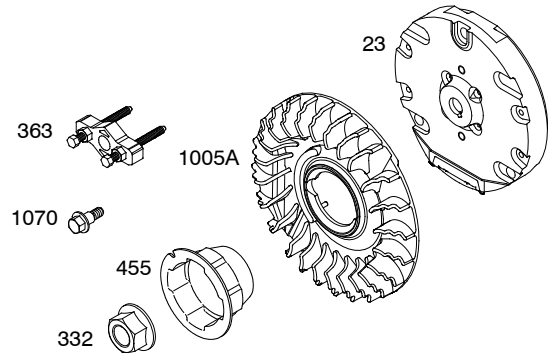
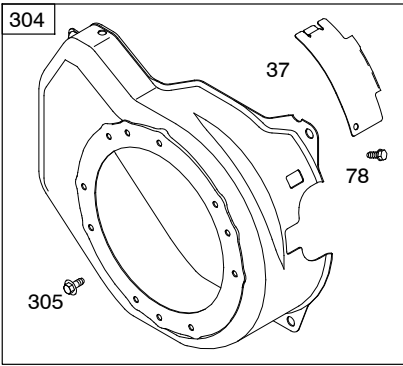
Illustrations cover a range of engines. Parts shown without corresponding text may not be used on your specific engine.  
 10000-5 Assemblies include all parts shown in frames. 09/21/2012



*Illustrations cover a range of engines. Parts shown without corresponding text may not be used on your specific engine.*  
 10000-6 Assemblies include all parts shown in frames. 09/21/2012



Illustrations cover a range of engines. Parts shown without corresponding text may not be used on your specific engine.  
 10000-7 Assemblies include all parts shown in frames. 09/21/2012







# 15T200

REF. NO.	PART NO.	DESCRIPTION	REF. NO.	PART NO.	DESCRIPTION	REF. NO.	PART NO.	DESCRIPTION
97	690024	Shaft-Throttle	127	691739	Plug-Welch	186	692317	Connector-Hose
97C	797628	Shaft-Throttle	127E	797633	Plug-Welch	187	791766	Line-Fuel (Cut to Required Length)
98	398185	Kit-Idle Speed	130	691181	Valve-Throttle	187A	791867	Line-Fuel (Molded)
98C	797156	Kit-Idle Speed	130D	797630	Valve-Throttle	187B	791874	Line-Fuel (Molded)
104C	797622	Pin-Float Hinge	133	398187	Float-Carburetor	187C	791866	Line-Fuel (Molded)
105A	797139	Valve-Float Needle	133B	797136	Float-Carburetor	187D	795046	Line-Fuel (Molded)
108	692567	Valve-Choke	134	398188	Kit-Needle/Seat	188	699479	Screw (Control Bracket)
108A	796993	Valve-Choke	137	693981	Gasket-Float Bowl	190	699220	Screw (Fuel Tank)
109	690023	Shaft-Choke	137C	797625	Gasket-Float Bowl	190B	795047	Screw (Fuel Tank)
109C	790624	Shaft-Choke	146	690979	Key-Timing	192	797440	Adjuster-Rocker Arm (Metric) (Used After Code Date 09061700).
117	690048	Jet-Main (Standard)	155	797442	Plate-Cylinder Head (Metric) (Used After Code Date 09061700).	----- Note -----		
117D	798652	Jet-Main (Standard)				698214	Plate-Cylinder Head (SAE) (Used Before Code Date 09061800).	
118	497315	Jet-Main (High Altitude)				161	795567	Base-Air Cleaner (Flat Panel Air Cleaner)
118D	798651	Jet-Main (High Altitude)				----- Note -----		
121	792006	Kit-Carburetor Overhaul				699207	Base-Air Cleaner (Flat Panel Air Cleaner) Used on Type No(s). 0001, 0036, 0050, 0071, 0121, 0122, 0123, 0125, 0128, 0160, 0162, 0223, 1120, 1124, 1125, 1126, 1128, 1130.	
121D	797634	Kit-Carburetor Overhaul				161A	795231	Base-Air Cleaner (Ultra Low Air Cleaner)
122	795643	Spacer-Carburetor (Black)				----- Note -----		
		----- Note -----				799855	Base-Air Cleaner (Ultra Low Air Cleaner) Used on Type No(s). 0126, 0130, 0163, 1111, 1115.	
		791717 Spacer-Carburetor (Natural) Used on Type No(s). 0008, 0036, 0050, 0071, 1111, 1115, 1120, 1124, 1125, 1126, 1128, 1130, 1658, 1747, 1749.				790631	Base-Air Cleaner (Ultra Low Air Cleaner) Used on Type No(s). 0008, 0026, 0915, 0920, 0934, 1658, 1747, 1749.	
125D	798654	Carburetor				163B	696024	Gasket-Air Cleaner
		----- Note -----				180	795705	Tank-Fuel (Metal)
		799828 Carburetor Used on Type No(s). 0163, 1111, 1115.				209A	691278	Spring-Governor
						219	693578	Gear-Governor
						220	691724	Washer (Governor Gear)

Illustrations cover a range of engines. Parts shown without corresponding text may not be used on your specific engine.  
10000-10 Assemblies include all parts shown in frames. 09/21/2012

REF. NO.	PART NO.	DESCRIPTION	REF. NO.	PART NO.	DESCRIPTION	REF. NO.	PART NO.	DESCRIPTION
<b>222D</b>	<b>795669</b>	Bracket-Control Used on Type No(s). 0023, 0026, 0060, 0071, 0112, 0113, 0115, 0160, 0223, 0748, 0838, 0857, 1124, 1128, 1130. ----- <b>Note</b> ----- <b>793107</b> Bracket- Control Used on Type No(s). 0008, 0036, 0050, 0071, 0121, 0122, 0123, 0125, 0126, 0128, 0130, 0160, 0162, 0223, 0915, 0920, 0934, 1124, 1128, 1130, 1658, 1747, 1749.	<b>271</b>	<b>691028</b>	Lever-Control	<b>333</b>	<b>591101</b>	Armature-Magneto ----- <b>Note</b> ----- <b>796964</b> Armature- Magneto Used on Type No(s). 0026, 0163, 1111, 1115, 1120.
			<b>271A</b>	<b>694256</b>	Lever-Control			
			<b>271B</b>	<b>695743</b>	Lever-Control	<b>334</b>	<b>699477</b>	Screw (Magneto Armature)
			<b>276</b>	<b>271716</b>	Washer-Sealing	<b>337</b>	<b>491055S</b>	Plug-Spark (Resistor) ----- <b>Note</b> ----- <b>691043</b> Plug-Spark (EMS)
			<b>276C</b>	<b>797632</b>	Washer-Sealing			
			<b>281</b>	<b>795565</b>	Panel-Control ----- <b>Note</b> ----- <b>793122</b> Panel-Control Used on Type No(s). 0001, 0008, 0026, 0036, 0050, 0071, 0121, 0122, 0123, 0125, 0126, 0128, 0130, 0160, 0162, 0223, 0748, 0838, 0915, 0920, 0934, 1120, 1124, 1125, 1126, 1128, 1130, 1658, 1747, 1749.	<b>346</b>	<b>699203</b>	Screw (Spark Arrestor) (Metric) ----- <b>Note</b> ----- <b>690661</b> Screw (Spark Arrestor) (SAE)
<b>222E</b>	<b>795754</b>	Bracket-Control Used on Type No(s). 0111, 0119. ----- <b>Note</b> ----- <b>793108</b> Bracket- Control Used on Type No(s). 1120, 1125, 1126.	<b>286</b>	<b>794185</b>	Module-Oil Sensor	<b>347</b>	<b>795333</b>	Switch-Rocker ----- <b>Note</b> ----- <b>790949</b> Switch-Rocker Used on Type No(s). 0112, 0123, 1130. <b>697854</b> Switch-Rocker Used on Type No(s). 0001, 0036, 0050.
			<b>287</b>	<b>699234</b>	Screw (Dipstick Tube)			
			<b>300</b>	<b>693593</b>	Muffler	<b>356</b>	<b>693651</b>	Wire-Stop
<b>222F</b>	<b>793100</b>	Bracket-Control Used on Type No(s). 0026, 0163, 1111, 1115.	<b>300A</b>	<b>797433</b>	Muffler	<b>356A</b>	<b>692390</b>	Wire-Stop
			<b>304</b>	<b>699598</b>	Housing-Blower ----- <b>Note</b> ----- <b>795658</b> Blower- Housing Used on Type No(s). 0023, 0060, 0111, 0112, 0113, 0115, 0119, 0748, 0838, 0857.	<b>356B</b>	<b>692602</b>	Wire-Stop
<b>227</b>	<b>794376</b>	Lever-Governor Control				<b>356C</b>	<b>695630</b>	Wire-Stop
<b>238</b>	<b>691300</b>	Valve-Cap	<b>305</b>	<b>699481</b>	Screw (Blower Housing)	<b>356E</b>	<b>695814</b>	Wire-Stop
<b>240</b>	<b>394358S</b>	Filter-Fuel	<b>306</b>	<b>795334</b>	Shield-Cylinder	<b>356F</b>	<b>697397</b>	Wire-Stop
<b>265</b>	<b>691024</b>	Clamp-Casing	<b>307</b>	<b>699483</b>	Screw (Cylinder Shield)	<b>356M</b>	<b>792609</b>	Wire-Stop
<b>267</b>	<b>699492</b>	Screw (Casing Clamp)	<b>309</b>	<b>694504</b>	Motor-Starter	<b>358B</b>	<b>791797</b>	Gasket Set-Engine
<b>268</b>	<b>691025</b>	Casing-Control Wire (Cut to Required Length)	<b>310</b>	<b>690323</b>	Screw (Starter Motor)	<b>363</b>	<b>19203</b>	Puller-Flywheel
<b>269</b>	<b>691026</b>	Wire-Control (Cut to Required Length)	<b>311</b>	<b>497608</b>	Brush Set	<b>364</b>	<b>695693</b>	Terminal-Oil Plug
<b>270</b>	<b>691027</b>	Nut (Control Wire Casing)	<b>332</b>	<b>591988</b>	Nut (Flywheel)	<b>365</b>	<b>699484</b>	Screw (Carburetor)

*Illustrations cover a range of engines. Parts shown without corresponding text may not be used on your specific engine.*  
**10000-11** **Assemblies include all parts shown in frames.** **09/21/2012**

# 15T200

REF. NO.	PART NO.	DESCRIPTION	REF. NO.	PART NO.	DESCRIPTION	REF. NO.	PART NO.	DESCRIPTION
383	19576S	Wrench-Spark Plug	510	499308	Drive-Starter	615	692576	Retainer-Governor Shaft
415	693463	Plug	513	692024	Drive-Clutch			
425	699208	Screw (Air Cleaner Cover)	522	697689	Plug-Dipstick/Fill	616	692547	Crank-Governor
425A	699492	Screw (Air Cleaner Cover)	523	693618	Dipstick	619	699481	Screw (Cylinder Head Plate)
427	798458	Nut (Control Bracket) (Metric)			----- Note ----- 798469 Dipstick Used on Type No(s). 0160, 0223, 1747, 1749.	621	692310	Switch-Stop
		----- Note ----- 694255 Nut (Control Bracket) (SAE)	524	281370S	Seal-Dipstick Tube	627	792608	Bracket-Stop switch
445	491588S	Filter-Air Cleaner Cartridge	526	690297	Screw (Regulator)	632	693408	Spring/Link- Mechanical Governor
455	591302	Cup-Flywheel	552	692346	Bushing-Governor Crank	633	693867	Seal-Choke/Throttle Shaft
456		Plate-Pawl Friction (Used After Code Date 11123100). (Not Serviced Separate. Service With Rewind Assembly.)	562	691119	Bolt (Governor Control Lever)	633A	691321	Seal-Choke/Throttle Shaft
		----- Note ----- 692299 Plate-Pawl Friction (Used Before Code Date 12010100). (Not Serviced Separate. Service With Rewind Assembly.)	564	699491	Screw (Control Cover)	635	692076	Boot-Spark Plug
		----- Note ----- 692299 Plate-Pawl Friction (Used Before Code Date 12010100). (Not Serviced Separate. Service With Rewind Assembly.)	564A	699206	Screw (Control Cover)	635A	798619	Boot-Spark Plug
		----- Note ----- 281505S Pawl- Ratchet (Used Before Code Date 12010100).	577	690795	Cable-Starter	663	699206	Screw (Control Panel)
459		Pawl-Ratchet (Used After Code Date 11123100). (Not Serviced Separate. Service With Rewind Assembly.)	578	692306	Wire Assembly	668	694257	Spacer
		----- Note ----- 281505S Pawl- Ratchet (Used Before Code Date 12010100).	578B	790948	Wire Assembly	675	691261	Washer (Brush Retainer)
		----- Note ----- 691696 Screw (Pawl Friction Plate) (Used Before Code Date 12010100).	579	691029	Nut (Starter Cable)	676	796956	Deflector-Muffler
474	695730	Alternator	584	791759	Cover-Breather Passage	676A	697816	Deflector-Muffler
474A	793640	Alternator	585	791760	Gasket-Breather Passage	677	699203	Screw (Muffler Deflector) (Metric)
493	691177	Bracket-Mounting	597		Screw (Pawl Friction Plate) (Used After Code Date 11123100). (Not Serviced Separate. Service With Rewind Assembly.)			----- Note ----- 690661 Screw (Muffler Deflector) (SAE)
497	691693	Screw (Stop Switch Bracket)			----- Note ----- 691696 Screw (Pawl Friction Plate) (Used Before Code Date 12010100).	677A	699776	Screw (Muffler Deflector)
500A	792613	Washer (Key Switch)	601	791850	Clamp-Hose	684	793369	Screw (Breather Passage Cover)
501	794360	Regulator	601B	795230	Clamp-Hose	689		Spring-Friction (Used After Code Date 11123100). (Not Serviced Separate. Service With Rewind Assembly.)
503	691532	Strap-Starter	604	697326	Cover-Control			----- Note ----- 691855 Spring- Friction (Used Before Code Date 12010100).
504	695383	Washer Set-Friction	608C	591301	Starter-Rewind	692	690572	Spring-Detent
505	691251	Nut (Governor Control Lever)	613	791972	Screw (Muffler)	692B	797624	Spring-Detent
			613A	699481	Screw (Muffler)	697	793567	Screw (Drive Cap)
			613B	799081	Screw (Muffler)			

Illustrations cover a range of engines. Parts shown without corresponding text may not be used on your specific engine.  
10000-12 Assemblies include all parts shown in frames. 09/21/2012



# 15T200

REF. NO.	PART NO.	DESCRIPTION	REF. NO.	PART NO.	DESCRIPTION	REF. NO.	PART NO.	DESCRIPTION
1051	691265	Ring-Retaining	1210		Pulley/Spring Assembly	1211		Pulley/Spring Assembly
1052	790141	Sensor-Oil			(Pulley)			(Pulley)
1054	280275	Cable-Tie			(Used After Code Date 11123100).			(Used After Code Date 11123100).
1058	277040	Operator's Manual			(Not Serviced			(Not Serviced
1068	795229	Hose-/Clamp Assembly			Separate. Service With Rewind Assembly.)			Separate. Service With Rewind Assembly.)
1070	699201	Screw (Flywheel Fan)			----- <b>Note</b> -----			----- <b>Note</b> -----
1090	691293	Retainer-Brush			<b>791849</b> Pulley/Spring Assembly (Pulley)			<b>791849</b> Pulley/Spring Assembly (Pulley)
1095A	791798	Gasket Set-Valve			(Used After Code Date 08030200 and Before Code Date 12010100).			(Used After Code Date 08030200 and Before Code Date 12010100).
1119	699772	Screw (Alternator)			<b>498144</b> Pulley/Spring Assembly (Pulley)			<b>498144</b> Pulley/Spring Assembly (Pulley)
					(Used Before Code Date 08030300).			(Used Before Code Date 08030300).
						1230	699847	Stud (Control Bracket)
						1305	699691	Screw (Oil Sensor Module)
						1319	794467	Label-Warning
						1319A	797669	Label-Warning
						1330	272147	Repair Manual
						1425A	795227	Hose-Purge Line

Illustrations cover a range of engines. Parts shown without corresponding text may not be used on your specific engine.  
 10000-14 Assemblies include all parts shown in frames. 09/21/2012

Not for  
Reproduction

Not for  
Reproduction

