



Performance Under Pressure

PARTS LIST FOR
CA-3003-0MHB/RB
(AFTER SERIAL #10173072)
CA-3003-0MVB

Engine Oil Grade:
HONDA/SUBARU: SAE10W-30
VANGUARD: ABOVE 40°F = SAE30
BELOW 40°F = SAE10W-30

Engine Oil Capacity:
HONDA/SUBARU: 37 oz.
VANGUARD: 40 oz.

Pump Oil Grade: Mi-T-M Pump Oil #AW-4085-0016
Pump Oil Capacity: 14 oz.
Nozzle Size: 3.5

This Parts Listing has been compiled for your benefit. You can be assured your Mi-T-M Cold Water Pressure Washer was constructed and designed with quality and performance in mind using over 25 years experience in the pressure washer business. Each component has been rigorously tested to insure the highest level of acceptance.

The contents of this Parts Listing are based on the latest product information available at the time of publication. Mi-T-M reserves the right to make changes in price, color, materials, equipment, specifications or models at any time without notice.

WARNING

THIS IS A PROFESSIONAL HIGH PRESSURE, COLD WATER PRESSURE WASHER. CAUTION SHOULD BE OBSERVED WHEN USING OR REPAIRING THIS UNIT! READ AND FOLLOW THE SAFETY WARNINGS LISTED BELOW BEFORE ATTEMPTING ANY REPAIRS ON THIS PRESSURE WASHER!

SAFETY WARNINGS

1. NEVER alter or modify the equipment. Be sure any accessory items and system components being used will withstand the pressure developed. Use only genuine Mi-T-M parts for repair of your pressure washer. Failure to do so can cause hazardous operating conditions and will VOID warranty.
2. NEVER make adjustments on machinery while the unit is connected to the engine without first removing the ignition cable from the spark plug. Turning over the machinery by hand during adjustment or cleaning might start the engine and machinery with it, causing serious injury to the operator.
3. Know how to stop and bleed pressures quickly. Be thoroughly familiar with controls.
4. Before servicing the unit, turn unit off, relieve the water pressure and allow the unit to cool down. Do not make repairs while the unit is running. Service in a clean, dry, flat area. Block the wheels to prevent the unit from moving. Be especially careful to properly dispose of any flammable materials.
5. After testing the machine, DO NOT leave the pressurized unit unattended. Shut off the unit and release trapped pressure before leaving.

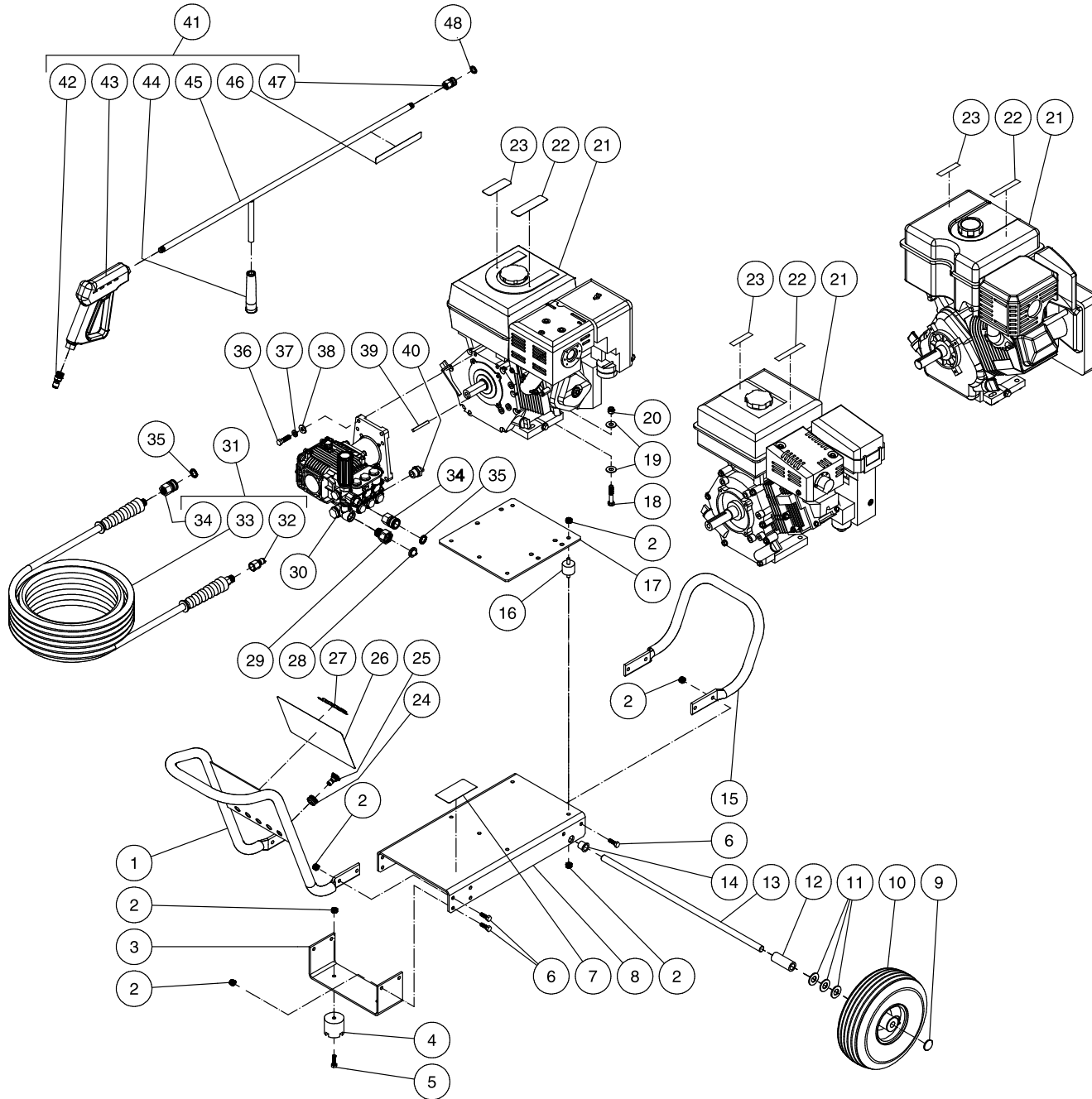
Table of Contents

SPECIFICATIONS	3
FRAME ASSEMBLY FOR CA-3003-0MHB/RB (AFTER SERIAL #10173072)	4
PUMP ASSEMBLY (3-0270)	6
UNLOADER ASSEMBLY (8-0456)	8
GUN ASSEMBLY (16-0001)	10

SPECIFICATIONS

MODEL NUMBER	CA-3003-0MHB	CA-3003-0MRB	CA-3003-0MVB
Operating Pressure (PSI/Bar):	3000/206.8		
High Pressure Nozzle:	3.5		
Water Volume (GPM/lpm):	3.0/11		
Engine:	Honda	Subaru	Vanguard
Horsepower	9.0		
Engine Type	4 Stroke, Overhead Valve, Single Cylinder		
Oil Type	SAE 10W-30		Above 40°F = SAE30 / Below 40°F = SAE10W-30
Oil Capacity (oz./liters)	37/1.1		40/1.2
Low Oil Protection	Oil Alert™	Low Oil Shutdown	Oil Guard™
Fuel Type	Unleaded Gasoline 86 Octane Minimum		
Fuel Capacity (gallon/ liters)	1.6/6.0		
Starting	Recoil		
Maximum No Load RPM	3600 (+/- 100) RPM		
Pump:	Direct Driven, Oil Bath, Triplex Piston		
Oil Type	Mi-T-M Pump Oil #AW-4085-0016		
Oil Capacity (oz./liters)	14/4		
Plungers	Ceramic		
Manifold	Forged Brass		
Valves	Stainless Steel		
Unloader	Adjustable		
Thermal Relief Valve	Relieves heated water during unloader bypass stage		
Unit Net Weight (lbs/Kg)	105/47.5		
Unit Shipping Weight (lbs/Kg)	155/70		
Unit Net Dimension (in/cm)	42.5Lx23.5Wx25H/108Lx60Wx63.5H		
Unit Shipping Dimension (in/cm)	39.5Hx25Wx31.5H/100.5Lx63.5Wx80H		

FRAME ASSEMBLY FOR CA-3003-0MHB/RB (AFTER SERIAL #10173072) & CA-3003-0MVB

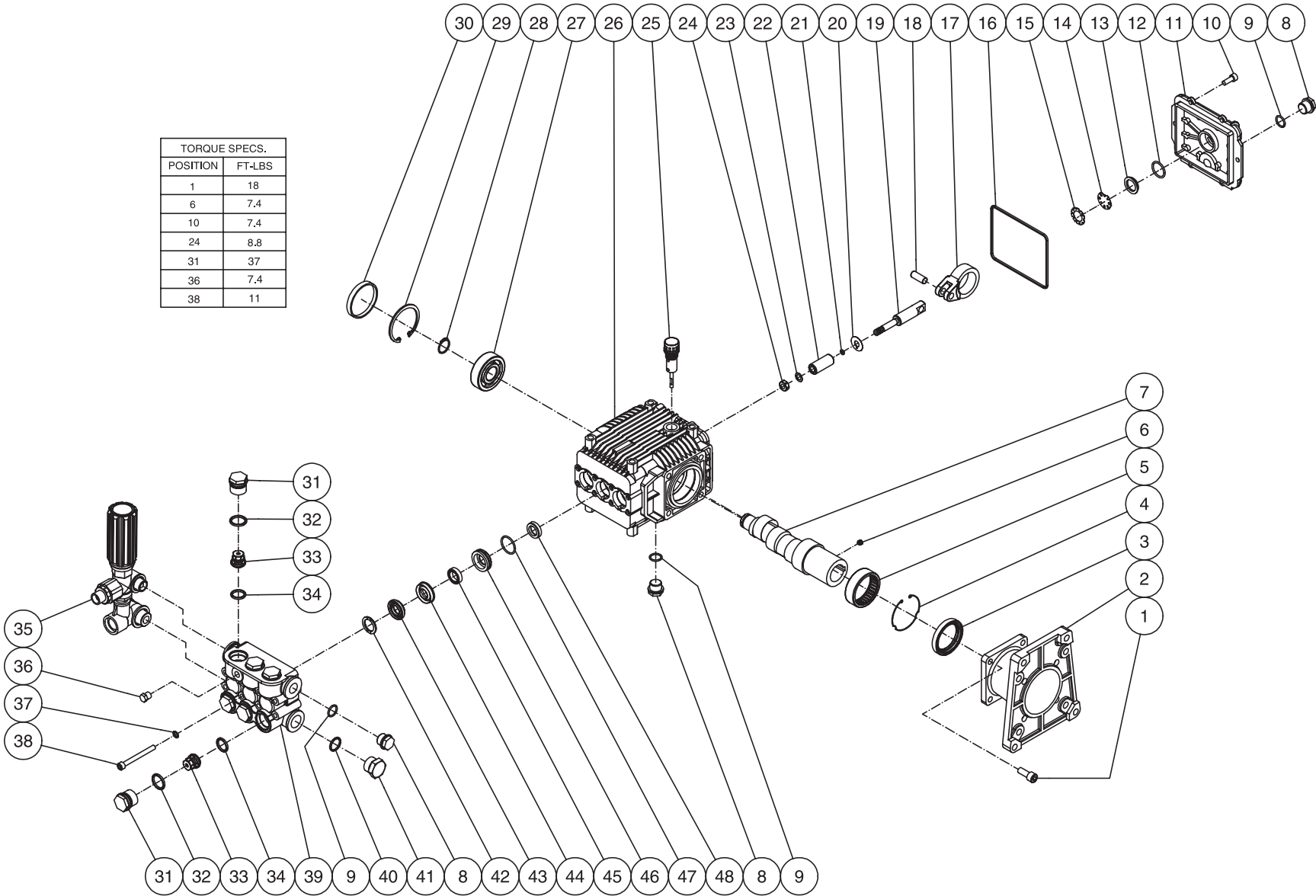


CA-3003-0MHB/RB/VB-120806-JJT

FRAME ASSEMBLY FOR CA-3003-0MHB/RB (AFTER SERIAL #10173072) & CD-3003-0MVB							
REF. #	DESCRIPTION	PART #	QTY.	REF. #	DESCRIPTION	PART #	QTY.
1	Front Handle Assembly	7-0182	1	25	Nozzle- 1503.5	18-0258	1
2	Locknut	30-0157	22	-	Nozzle- 2503.5	18-0259	1
3	Support Bracket	56-0054	1	26	Decal- Warning/Caution/Operation (See 34-9014)	N/A Sep.	1
4	Isolator	14-0008	2	27	Decal- 3000 Die Cut	34-0775	1
5	Bolt	27-0068	2	28	Inlet Filter Washer w/ Screen	19-0001	1
6	Bolt	27-0067	12	29	Garden Hose Swivel	23-0095	1
7	Decal- Data Plate	N/A	1	30	Pump	3-0270	1
8	Baseplate	5-0207	1	31	Pressure Hose Assembly (Inc. 32-34)	851-0007	1
9	Hub Cap	33-0018	2	32	Quick Connect Plug	17-0006	1
10	Wheel	14-0017	2	33	Hose	15-0003	1
11	Washer	28-0008	7	34	Quick Connect Socket	17-0004	2
12	Axle Spacer	62-0189	2	35	O-ring	25-0123	2
13	Axle	20-0748	1	36	Bolt	27-0118	4
14	Bushing	62-0175	2	37	Lockwasher	29-0008	4
15	Rear Handle	7-0183	1	38	Washer	28-0022	4
16	Vibration Isolator	14-0097	4	39	Key	43-0078	1
17	Isolation Plate	56-0053	1	40	Thermal Relief Valve	22-0005	1
18	Bolt	27-0121	4	41	Gun/Wand Assembly (Inc. 42-47)	851-0095	1
19	Flatwasher	28-0023	8	42	Quick Connect Plug	17-0005	1
20	Locknut	30-0159	4	43	Trigger Gun	16-0001	1
21	Engine- 9.0 HP Honda (CA-3003-0MHB)	1-0065	1	44	Wand Grip	7-0002	1
-	Engine- 9.0 HP Subaru (CA-3003-0MRB)	1-0134	1	45	Wand w/Handle	16-0418	1
-	Engine- 9.0 HP Vanguard (CA-3003-0MVB)	1-0070	1	46	Decal- Warning: Risk of Injection (See 34-9014)	N/A Sep.	1
22	Decal- Warning: Risk of Burns (See 34-9014)	N/A Sep.	1	47	Quick Connect Socket	17-0001	1
23	Decal- Caution: Risk of Fire (See 34-9014)	N/A Sep.	1	48	O-ring	25-0122	1
24	Grommet	33-0001	5		Decal Kit (Inc. 22-23, 26, 46)	34-9014	
25	Nozzle- 0003.5	18-0257	1	*Must Order in One Foot Lengths			

PUMP ASSEMBLY (3-0270)

TORQUE SPECS.	
POSITION	FT-LBS
1	18
6	7.4
10	7.4
24	8.8
31	37
36	7.4
38	11



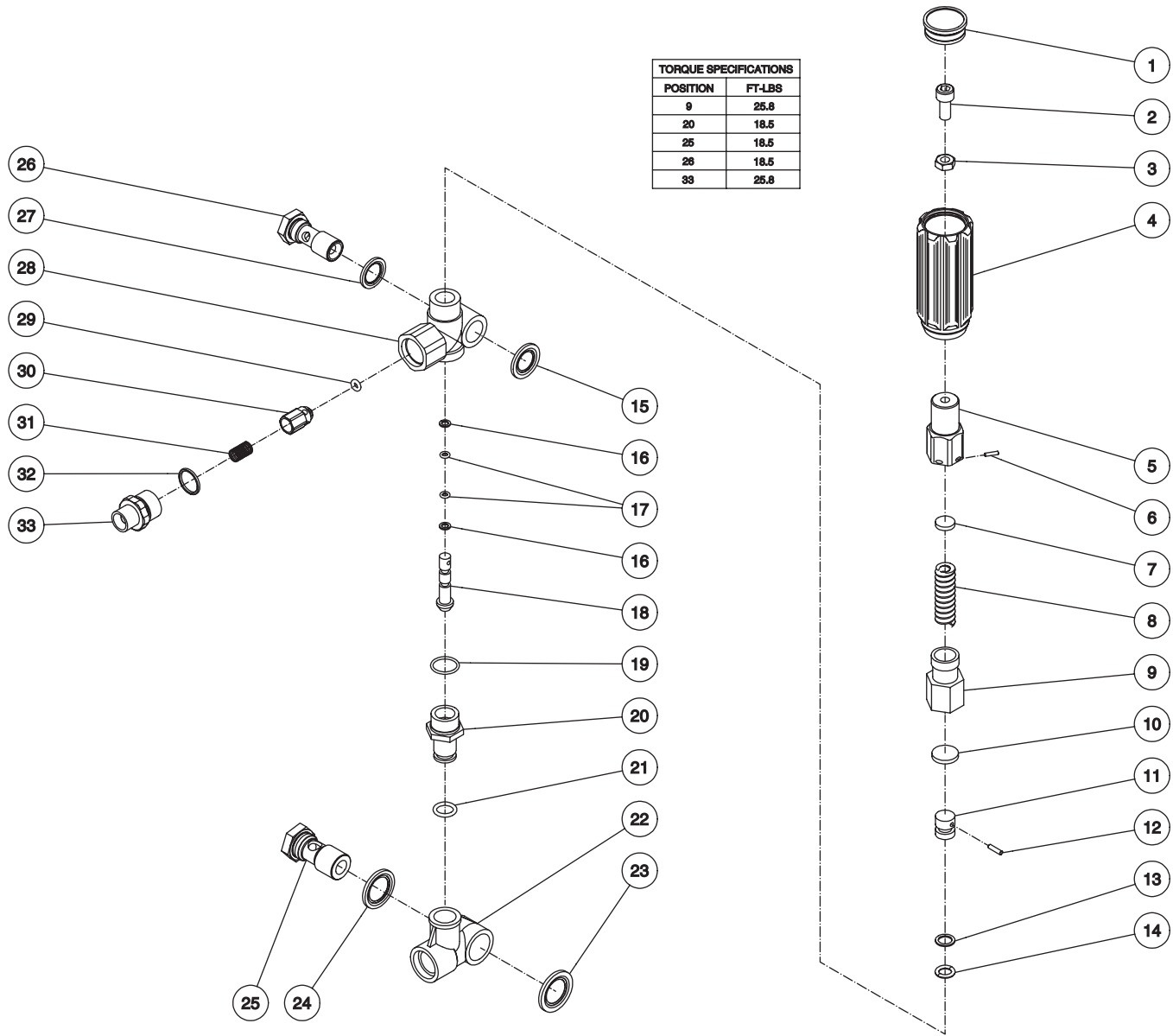
3-0270-020305-JJF

PUMP ASSEMBLY (3-0270)

REF. #	DESCRIPTION	PART #	QTY.	REF. #	DESCRIPTION	PART #	QTY.	REF. #	DESCRIPTION	PART #	QTY.
1	Screw	27-8432	4	18	Piston Pin	46-0721	3	35	Unloader Assembly	8-0456	1
2	Pump Flange	46-0714	1	19	Plunger Rod	46-0722	3	36	Plug	39-0097	1
3	Oil Seal	26-0192	1	20	Washer	28-1027	3	37	Lockwasher	29-0153	8
4	Retaining Ring	46-0667	1	21	O-ring	25-0371	3	38	Screw	27-8875	8
5	Bearing	48-0059	1	22	Piston	46-0723	3	39	Manifold	46-0730	1
6	Screw	27-8886	1	23	Washer / Gasket	26-0187	3	40	O-ring	25-0372	1
7	Crankshaft	46-0717	1	24	Nut	30-6016	3	41	Plug	39-0088	1
8	Plug	39-0086	3	25	Oil Dipstick	39-0090	1	42	Support Ring (See 70-0182)	N/A Sep.	3
9	O-ring	25-0325	3	26	Pump Crankcase	46-0724	1	43	V-Packing (See 70-0181)	N/A Sep.	3
10	Screw	27-8888	6	27	Bearing	48-0063	1	44	Packing Retainer	46-0728	3
11	Pump	46-0719	1	28	Snap Ring - External	46-0732	1	45	Low Pressure Seal	46-0727	3
12	O-ring	25-0370	1	29	Snap Ring - Internal	46-0676	1	46	Low Pressure Retainer	46-0726	3
13	Oil Sight Glass	46-0670	1	30	Bearing Cap	46-0725	1	47	O-ring	25-0399	3
14	Oil Reflector	46-0824	1	31	Valve Cap	39-0087	6	48	Low Pressure Seal	N/A	3
15	Spring Retainer	46-0671	1	32	O-ring	25-0160	6		High Pressure Seals Kit (Inc. 3 each 43, 45, 47)	70-0181	
16	O-ring	25-0398	1	33	Single Valve Assembly (See 70-0161)	N/A Sep.	6		Support Ring Kit (Inc. 3 each 42)	70-0182	
17	Connecting Rod	46-0720	3	34	O-ring	25-0386	6		Valve Kit (Inc. 6 each 33-34)	70-0161	

UNLOADER ASSEMBLY (8-0456)

TORQUE SPECIFICATIONS	
POSITION	FT-LBS
9	25.8
20	18.5
25	18.5
28	18.5
33	25.8



8-0456-102004-JJF

UNLOADER ASSEMBLY (8-0456)

REF. #	DESCRIPTION	PART #	QTY.	REF. #	DESCRIPTION	PART #	QTY.
1	Unloader Cap	7-0142	1	18	Piston	8-0442	1
2	Bolt	27-8433	1	19	O-ring	25-0389	1
3	Nut	30-3025	1	20	Nipple	8-0441	1
4	Unloader Knob	7-0141	1	21	O-ring	25-0388	1
5	Adjustment Barrel	8-0476	1	22	Inlet Bypass Adapter	8-0437	1
6	Pin	8-0477	1	23	Washer	8-0439	1
7	Spring Button	8-0475	1	24	Washer	8-0440	1
8	Spring	49-0132	1	25	Adapter	8-0438	1
9	Spring Guide	8-0474	1	26	Adapter	8-0448	1
10	Spring Button	8-0445	1	27	Washer	8-0449	1
11	Poppet	8-0443	1	28	Unloader Body	8-0451	1
12	Pin	8-0444	1	29	O-ring	25-0391	1
13	Back-up Ring	25-0396	1	30	Check Valve	8-0454	1
14	O-ring	25-0390	1	31	Check Valve Spring	49-0123	1
15	Washer	8-0450	1	32	O-ring	25-0372	1
16	Back-up Ring	25-0395	2	33	Adapter Nipple	24-0159	1
17	O-ring	25-0371	2		Unloader Repair Kit (Inc. 13, 14, 16, 17, 19, 21, 29)	70-0180	