

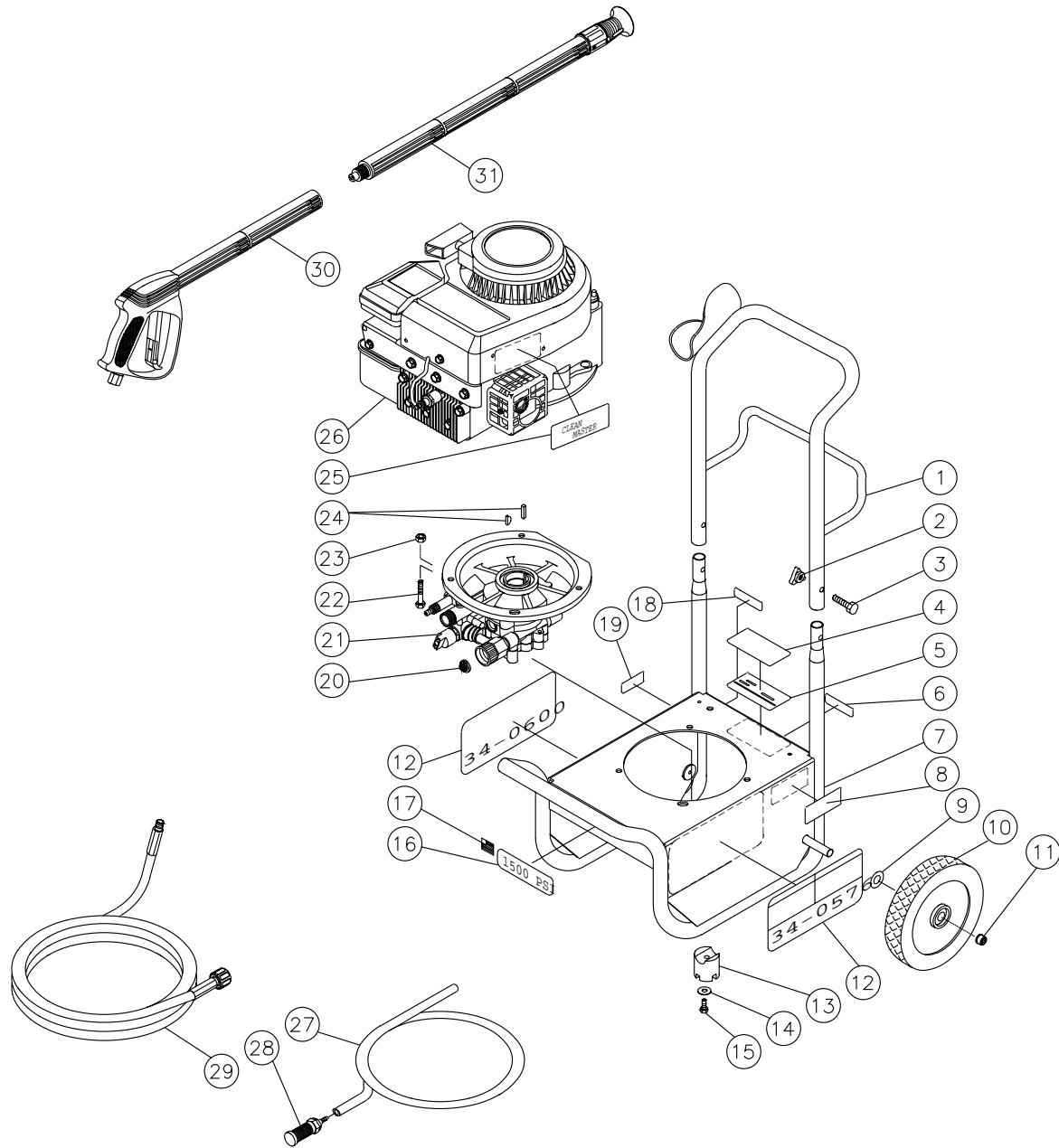
Mi-T-M[®] CORPORATION

8650 Enterprise Drive, Peosta IA 52068-0050
319-556-7484 / Fax 319-556-1235

CV-1500-0MBC PARTS LIST

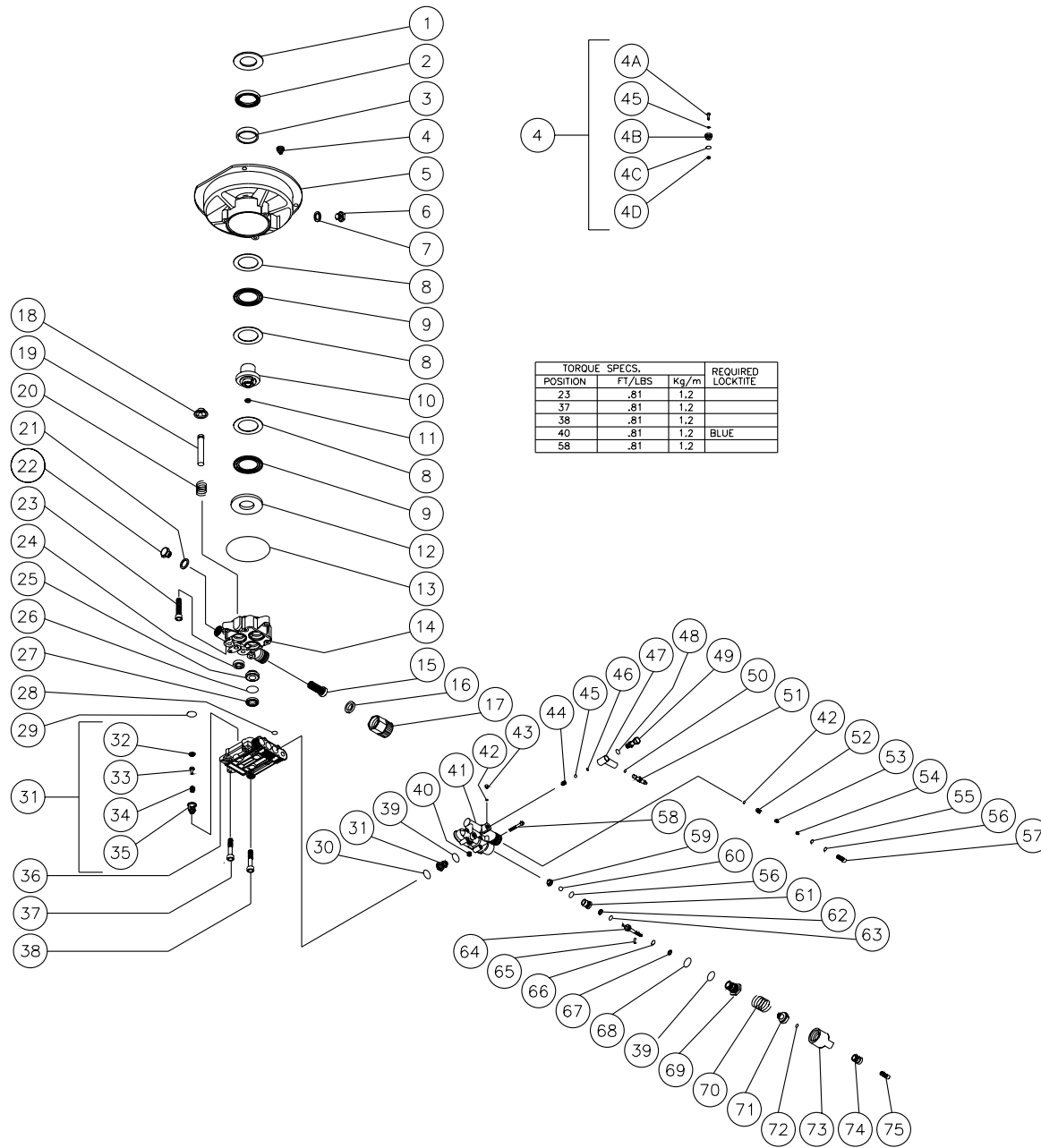
Engine Oil Grade:	30W
Engine Oil Capacity:	20 oz.
Nozzle Size:	1.20 mm

FRAME ASSEMBLY FOR CV-1500-0MBC



FRAME ASSEMBLY FOR CV-1500-0MBC							
REF. #	DESCRIPTION	PART #	QTY.	REF. #	DESCRIPTION	PART #	QTY.
1	Handle	7-0116A01	1	17	Decal-American Flag	34-0521	1
2	Knob	7-0115	2	18	Decal-Tech. Service Number	34-0603	1
3	Bolt	27-0017	2	19	Decal-Caut. Allow to Cool (Bilingual)	34-0599	1
4	Decal-Clear Laminate	34-0210	1	20	Filter	19-0001	1
5	Decal-ID Silver Sticker	34-0486	1	21	Pump	3-0115	1
6	Decal-Serial Number	N/A	1	22	Bolt	27-0069	3
7	Frame	5-0116A01	1	23	Locknut	30-0157	3
8	Decal-Warning Muffler Hot (Bilingual)	34-0598	1	24	Key-Woodruff	43-0081	1
9	Washer	28-0006	2		Key-Square	43-0085	1
10	Wheel	14-0051	2	25	Decal-Chore Master	34-0591	1
11	Hub Cap	33-0055	2	26	Engine	1-0091	1
12	Decal-Warn/Caution/Oper. English	34-0576	1	27	Detergent Hose *(4 feet required)	15-0021	1
	Decal-Warn/Caution/Oper. Spanish	34-0600	1	28	Detergent Strainer	19-0050	1
13	Isolator	14-0063	2	29	Pressure Hose	15-0153	1
14	Washer	28-0021	2	30	Gun Assembly	16-0329	1
15	Screw	27-3096	2	31	Variable Nozzle Assembly	16-0330	1
16	Decal-1500 PSI	34-0593	1		*Must order in one foot lengths		

PUMP ASSEMBLY (3-0115) FOR CV-1500-0MBC



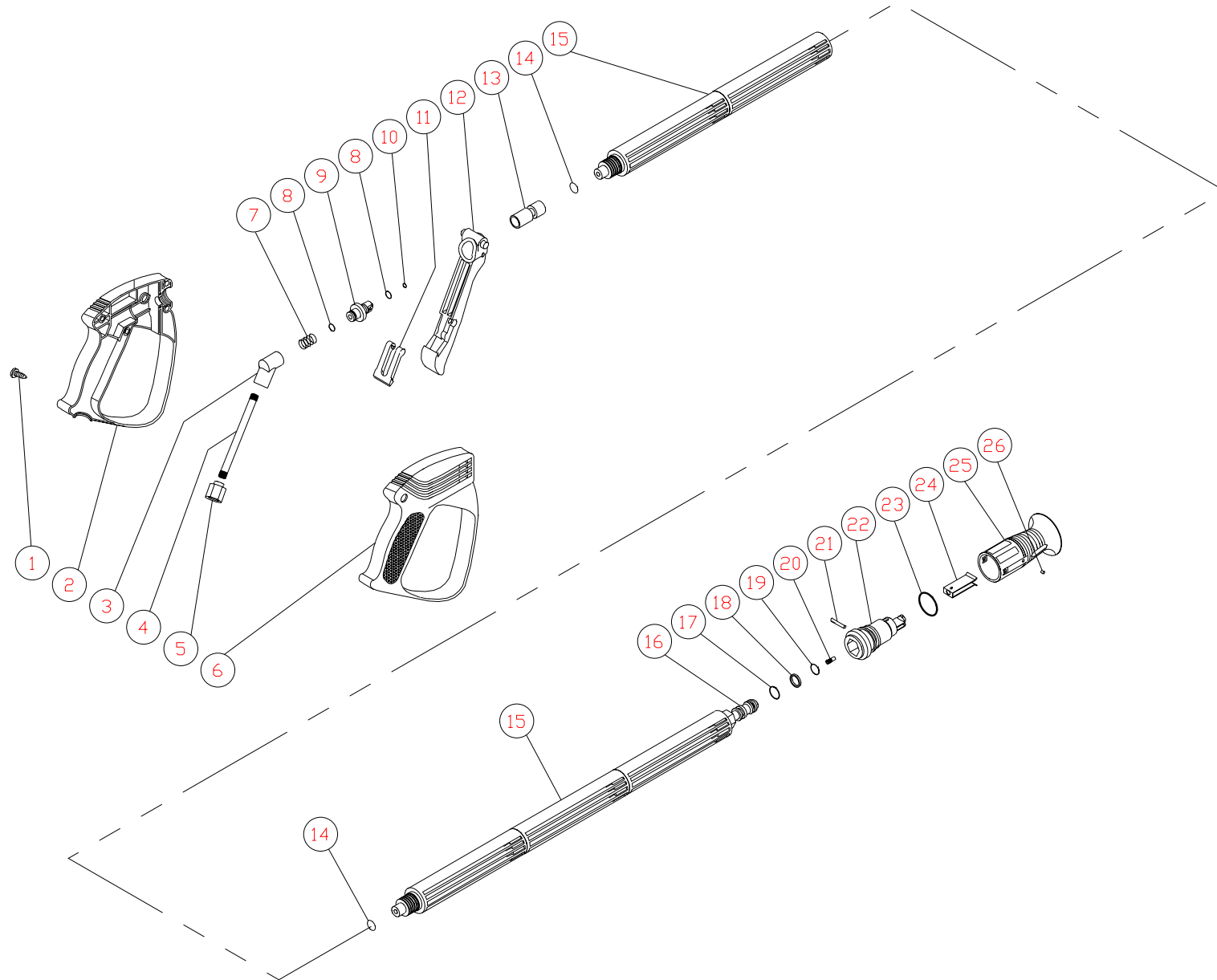
TORQUE SPECS.			REQUIRED LOCKTITE
POSITION	FT/LBS	Kg/m	
23	.81	1.2	
37	.81	1.2	
38	.81	1.2	BLUE
40	.81	1.2	BLUE
58	.81	1.2	

OMPMP030-041096/DCE

PUMP ASSEMBLY (3-0115)

REF. #	DESCRIPTION	PART #	QTY.	REF. #	DESCRIPTION	PART #	QTY.	REF. #	DESCRIPTION	PART #	QTY.
1	Washer (See 70-0153)	N/A Sep.	1	26	O-ring (See 70-0155)	N/A Sep.	3	55	O-ring	25-0248	2
2	Oil Seal (See 70-0153)	N/A Sep.	1	27	Pressure Seal (See 70-0155)	N/A Sep.	3	56	Injector Body	46-0360	1
3	Flange Bushing (See 70-0153)	N/A Sep.	1	28	O-ring	25-0359	3	57	Bolt	27-8871	4
4	Oil Vent Assembly (Inc. 4A-4D)	46-0634	1	29	O-ring	25-0360	3	58	Valve Seat	46-0686	1
4A	Piston	N/A Sep.	1	30	Valve Complete (See 70-0156)	N/A Sep.	6	59	Ball	46-0685	1
4B	Cage	N/A Sep.	1	31	Valve Seat (See 70-0156)	N/A Sep.	6	60	Ball Seat	46-0352	1
4C	O-ring	N/A Sep.	2	32	Valve Plate (See 70-0156)	N/A Sep.	6	61	Backup Ring	25-0247	1
4D	Spring	N/A Sep.	1	33	Valve Spring (See 70-0156)	N/A Sep.	6	62	O-ring	25-0230	1
5	Flange (See 70-0153)	N/A Sep.	1	34	Valve Cage (See 70-0156)	N/A Sep.	6	63	Piston (See 70-0157)	N/A Sep.	1
6	Oil Sight Glass	46-0661	1	35	Pump Head	46-0657	1	64	Roll Pin	46-0364	1
7	Gasket	26-0185	1	36	Screw	27-8867	1	65	O-ring	25-0242	1
8	Washer	48-0056	3	37	Bolt	27-8870	4	66	Backup Ring	25-0246	1
9	Bearing	48-0057	2	38	O-ring	25-0361	5	67	O-ring	25-0231	1
10	Wobble Plate (See 70-0153)	N/A Sep.	1	39	Screw	27-8868	1	68	Body Bypass Valve	22-0186	1
11	Plug (See 70-0153)	N/A Sep.	1	40	Pump Manifold	46-0666	1	69	Pressure Regulating Spring	49-0079	1
12	Washer	48-0058	1	41	O-ring	25-0357	2	70	Pressure Regulating Screw	46-0361	1
13	O-ring	25-0358	1	42	Screw	27-8866	1	71	Spring Clip	25-0245	1
14	Pump Housing	46-0656	1	43	Spring (See 70-0102)	N/A Sep.	1	72	Pressure Regulating Knob	7-0133	1
15	Water Inlet Filter	19-0061	1	44	Ball (See 70-0102)	N/A Sep.	1	73	Screw	27-8859	1
16	Gasket	26-0166	1	45	O-ring (See 70-0102)	N/A Sep.	2	74	Screw	27-8860	1
17	Garden Hose Connection	23-0162	1	46	Body	46-0636	1		Injector Repair Kit (43-45, 47)	70-0102	
18	Piston Spring Retainer	46-0663	3	47	O-ring (See 70-0102)	N/A Sep.	1		Unloader Check Kit (41, 51-56)	70-0108	
19	Piston-Stainless Steel	46-0664	3	48	Banjo Fitting	46-0637	1		Flange Assy. (1-3, 5, 8-11)	70-0153	
20	Piston Spring	49-0116	3	49	O-ring	25-0341	1		Packing Kit (3 each 26, 27)	70-0155	
21	Gasket	26-0168	3	50	Hose Barb	46-0638	1		Valve Kit (6 each of 28-30)	70-0156	
22	Oil Plug	N/A	1	51	Check Valve	22-0158	1		Unloader Stem (38, 41, 51, 52, 55, 58-73)	70-0157	
23	Bolt	27-8869	3	52	Spring	49-0078	1		Manifold Assy. (38-48, 51-56, 58-73)	70-0158	
24	Oil Seal	26-0186	3	53	Injector Nozzle 1.80 mm	46-0356	1				
25	Packing Retainer	46-0665	3	54	O-ring	25-0362	1				

GUN (16-0329) & NOZZLE (16-0330) ASSEMBLY FOR CV-1500-0MBC



OMGEN223/030596/DCE

GUN ASSEMBLY (16-0330)

REF. #	DESCRIPTION	PART #	QTY.		REF. #	DESCRIPTION	PART #	QTY.
1	Screw	27-8382	5		14	O-ring	25-0364	2
2	Housing-Left Side	62-0094	1		15	Tubing	N/A	2
3	Housing-Center	23-0281	1		16	Nozzle Body	N/A	1
4	Pipe	21-0100	1		17	O-ring	25-0345	1
5	Coupler	23-0282	1		18	Backup Ring	25-0344	1
6	Housing-Right Side	62-0095	1		19	O-ring	25-0343	1
7	Spring	49-0117	1		20	Nozzle 1.20 mm	18-0237	1
8	O-ring	25-0363	2		21	Pin	43-0083	1
9	Valve	62-0096	1		22	Housing	N/A	1
10	O-ring	25-0253	1		23	O-ring	25-0342	1
11	Trigger Safety Lock	62-0097	1		24	Nozzle Angle Plate	18-0283	1
12	Trigger	62-0098	1		25	Nozzle Protector	62-0099	1
13	Seat	23-0283	1		26	Identification Pin	18-0286	1

