

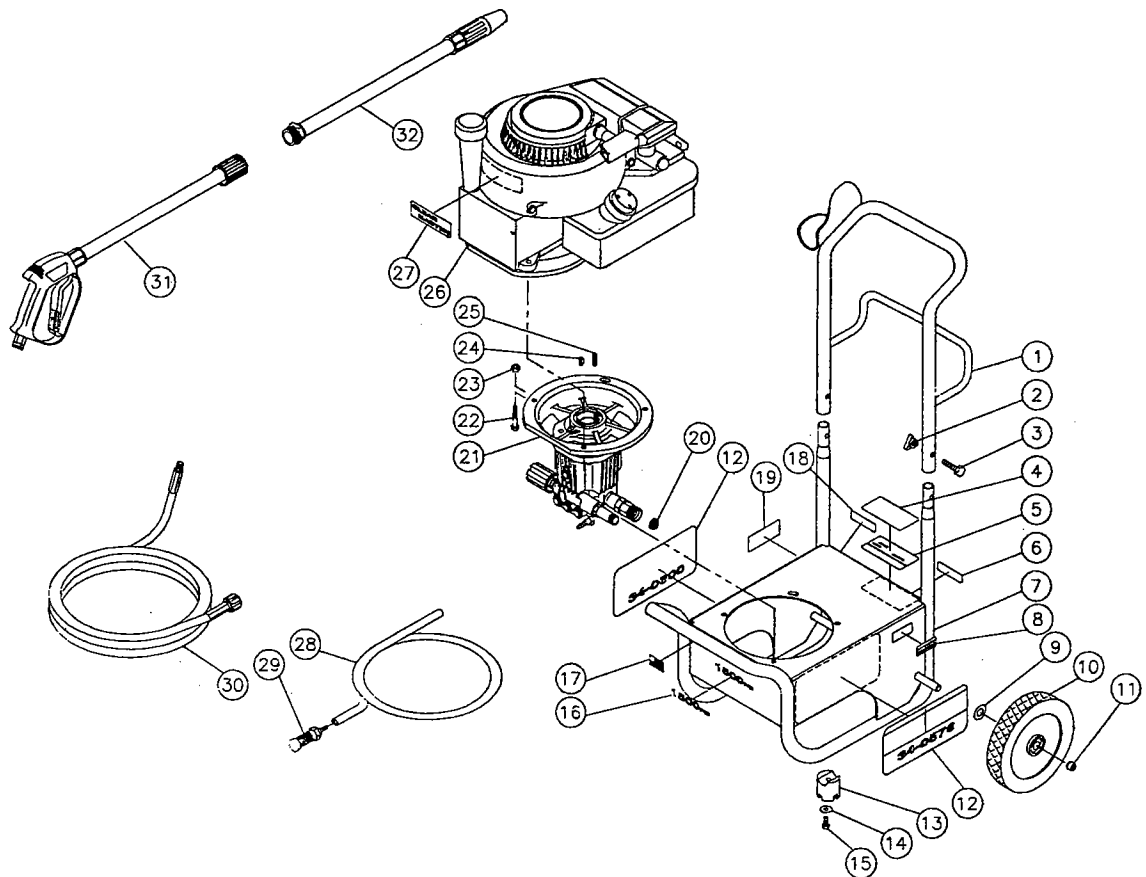
**The**  
**Clean Master**<sup>TM</sup>  
by Mi-T-M<sup>®</sup>

8650 Enterprise Drive, Peosta IA 52068-0050  
319-556-7484 / Fax 319-556-1235

# CV-1500

<b>Engine Oil Grade:</b>	<b>30W SE/SF/SG</b>
<b>Engine Oil Capacity:</b>	<b>19 oz.</b>
<b>Pump Oil Grade:</b>	<b>SAE 30W Non-Detergent</b>
<b>Pump Oil Capacity (Sealed):</b>	<b>8 oz.</b>
<b>Nozzle Size:</b>	<b>1.2 mm</b>

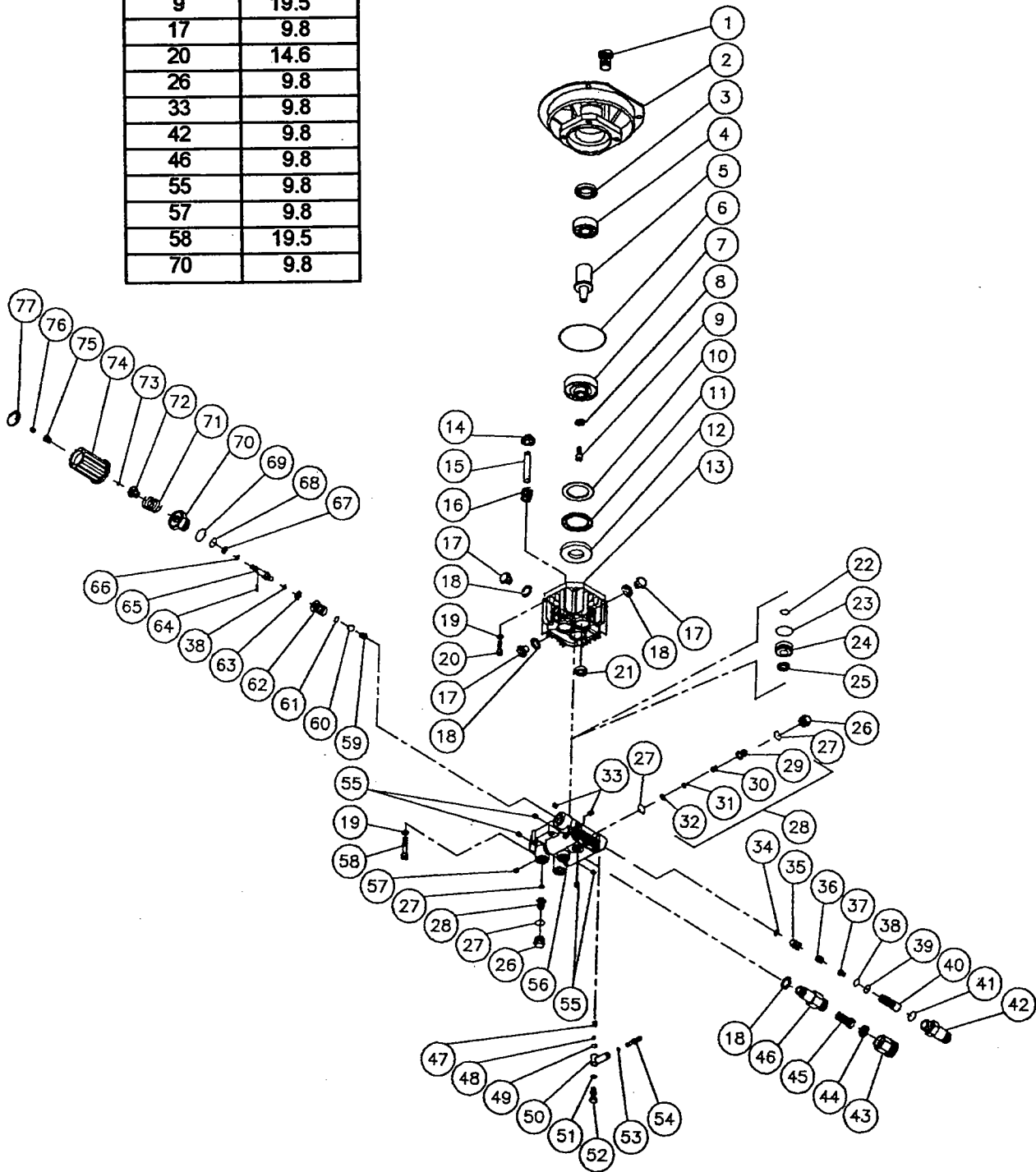
# FRAME ASSEMBLY FOR CV-1500



CV-1503 FRAME ASSEMBLY						
REF. #	DESCRIPTION	PART #	QTY.	REF. #	DESCRIPTION	QTY.
1	Handle	7-0116	1	17	Decal-American Flag	34-0521 1
2	Knob	7-0115	2	18	Decal-Technical Service Number	34-0603 1
3	Bolt	27-0017	2	19	Decal-Warning: Muffler Hot	34-0598 1
4	Decal-Clear Laminate	34-0210	1	20	Filter	19-0001 1
5	Decal-Silver Sticker	34-0486	1	21	Pump	3-0107 1
6	Decal-Serial Number	N/A	1	22	Bolt	27-0069 3
7	Frame	5-0111	1	23	Locknut	30-0157 3
8	Decal-Caution: Allow to Cool	34-0599	1	24	Key-Woodruff	43-0081 1
9	Washer	28-0006	2	25	Key-Square	43-0082 1
10	Wheel	14-0051	2	26	Engine-3.75 HP Briggs & Stratton	1-0074 1
11	Hub Cap	33-0055	2	27	Decal-Clean Master Logo	34-0591 1
12	Decal-Warn/Caution/Operate English	34-0576	1	28	Detergent Hose (4 feet required)	15-0021 1
	Decal-Warn/Caut./Operate Spanish	34-0600	1	29	Detergent Strainer	19-0050 1
13	Isolator	14-0063	2	30	Pressure Hose	15-0148 1
14	Washer	28-0021	2	31	Gun Assembly	851-0245 1
15	Screw	27-3096	2	32	Variable Nozzle Assembly 1.2mm	851-0246 1
16	Decal-1500 PSI	34-0593	1			

# PUMP (3-0107) ASSEMBLY FOR CV-1500

TORQUE SPECS	
POSITION	FT/LBS
9	19.5
17	9.8
20	14.6
26	9.8
33	9.8
42	9.8
46	9.8
55	9.8
57	9.8
58	19.5
70	9.8



PUMP ASSEMBLY (3-0107) FOR CV-1500								
REF #	DESCRIPTION	PART #	QTY		REF #	DESCRIPTION	PART #	QTY
1	Vent	46-0634	1		43	Garden Hose Connection	23-0162	1
2	Flange	38-0042	1		44	Gasket	26-0166	1
3	Oil Seal	46-0425	1		45	Filter Inlet	19-0061	1
4	Bearing	48-0037	1		46	Inlet Connector	23-0164	1
5	Shaft	33-0406	1		47	Spring (See 70-0102)	N/A Sep.	1
6	O-ring	25-0243	1		48	Ball (See 70-0102)	N/A Sep.	1
7	Wobble Plate	46-0635	1		49	O-ring (See 70-0102)	N/A Sep.	1
8	Washer	28-0133	1		50	Plastic Fitting	46-0636	1
9	Bolt	27-8432	1		51	O-ring (See 70-0102)	N/A Sep.	1
10	Bearing Disc	48-0051	1		52	Banjo Fitting	46-0637	1
11	Bearing	48-0030	1		53	O-ring	25-0341	1
12	Bearing Disc	48-0032	1		54	Hose Barb	46-0638	1
13	Pump Housing	46-0426	1		55	Screw	27-8197	4
14	Piston Spring Retainer	46-0362	3		56	Pump Manifold	46-0649	1
15	Piston	46-0363	3		57	Screw	27-8198	1
16	Piston Spring	49-0081	3		58	Screw	27-8199	4
17	Oil Drain Plug	39-0065	3		59	Spring	49-0080	1
18	Gasket	26-0168	3		60	Ball	46-0349	1
19	Lockwasher	29-0154	8		61	O-ring	25-0248	1
20	Bolt	27-8194	4		62	Valve Seat	46-0639	1
21	Oil Seal (See 70-0001)	N/A Sep.	3		63	Back-up Ring	25-0247	1
22	O-ring (See 70-0118)	N/A Sep.	3		64	Roll Pin	46-0364	1
23	O-ring (See 70-0118)	N/A Sep.	3		65	Piston By-pass Valve (See 70-0047)	N/A Sep.	1
24	Packing Retainer	9-0050	3		66	O-ring	25-0242	1
25	Pressure Seal (See 70-0118)	N/A Sep.	3		67	Back-up Ring	25-0246	1
26	Valve Plug	46-0628	6		68	O-ring	25-0231	1
27	O-ring	25-0335	12		69	O-ring	25-0238	1
28	Valve Complete (See 70-0112)	N/A Sep.	6		70	Body By-pass Valve	22-0186	1
29	Valve Cage (See 70-0112)	N/A Sep.	6		71	Pressure Regulator Spring-1500 PSI	49-0112	1
30	Valve Spring (See 70-0112)	N/A Sep.	6		72	Pressure Regulator Screw	46-0361	1
31	Valve Plate (See 70-0112)	N/A Sep.	6		73	Snap Ring	25-0245	1
32	Valve Seat (See 70-0112)	N/A Sep.	6		74	Pressure Regulation Knob	7-0087	1
33	Screw	27-8821	2		75	Screw	27-8859	1
34	O-ring	25-0340	1		76	Screw	27-8860	1
35	Check Valve	22-0158	1		77	Cap	7-0088	1
36	Spring	49-0078	1			Oil Seal Kit (3 each 21)	70-0001	
37	Injector Nozzle	46-0356	1			Packing Kit (3 each 22, 23, 25)	70-0118	
38	O-ring	25-0230	2			Valve Kit (6 each 27 & 28)	70-0112	
39	O-ring	25-0291	1			Unloader Check Valve Kit (1 each 34-40)	70-0108	
40	Injector Bushing	46-0360	1			Unloader Repair Kit (1 ea. 34-36, 38, 59-77)	70-0138	
41	O-ring	25-0241	1			Injector Repair Kit (1 ea. 47-49, 51)	70-0102	
42	Outlet Connector	23-0163	1			Manifold Assembly (1 ea. 18, 22-42, 46-57, 59-77)	70-0137	