

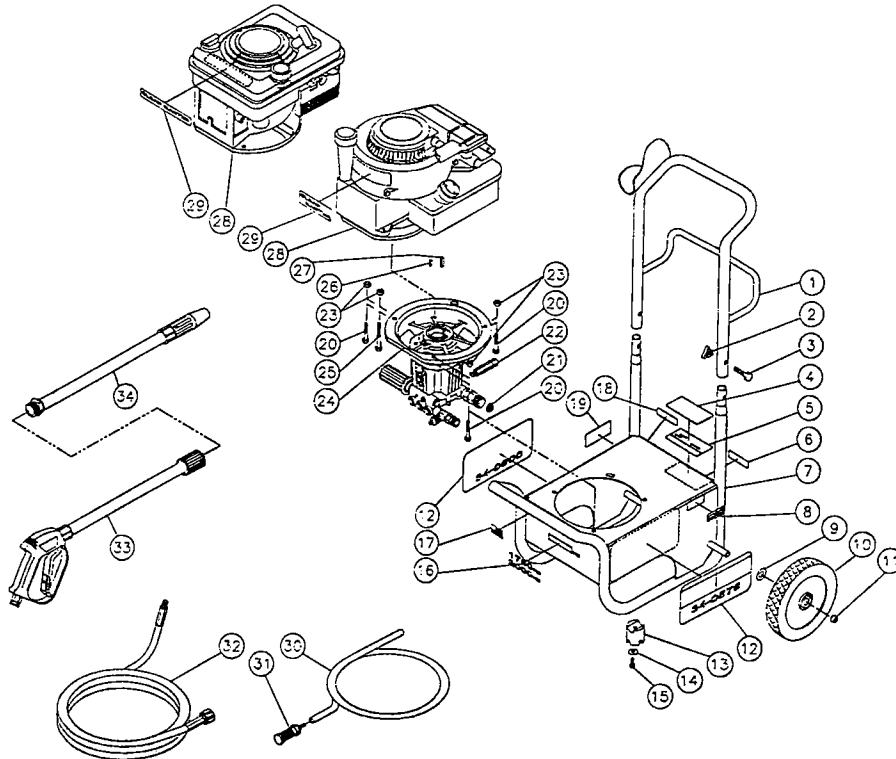
The **Clean Master**TM
by Mi-T-M[®]

8650 Enterprise Drive, Peosta IA 52068-0050
319-556-7484 / Fax 319-556-1235

CV-1750 & CV-2000

Engine Oil Grade:	30W SE/SF/SG
Engine Oil Capacity:	19 oz.
Pump Oil Grade:	SAE 30W Non-Detergent
Pump Oil Capacity (Sealed):	8 oz.
Nozzle Size:	1.2 mm

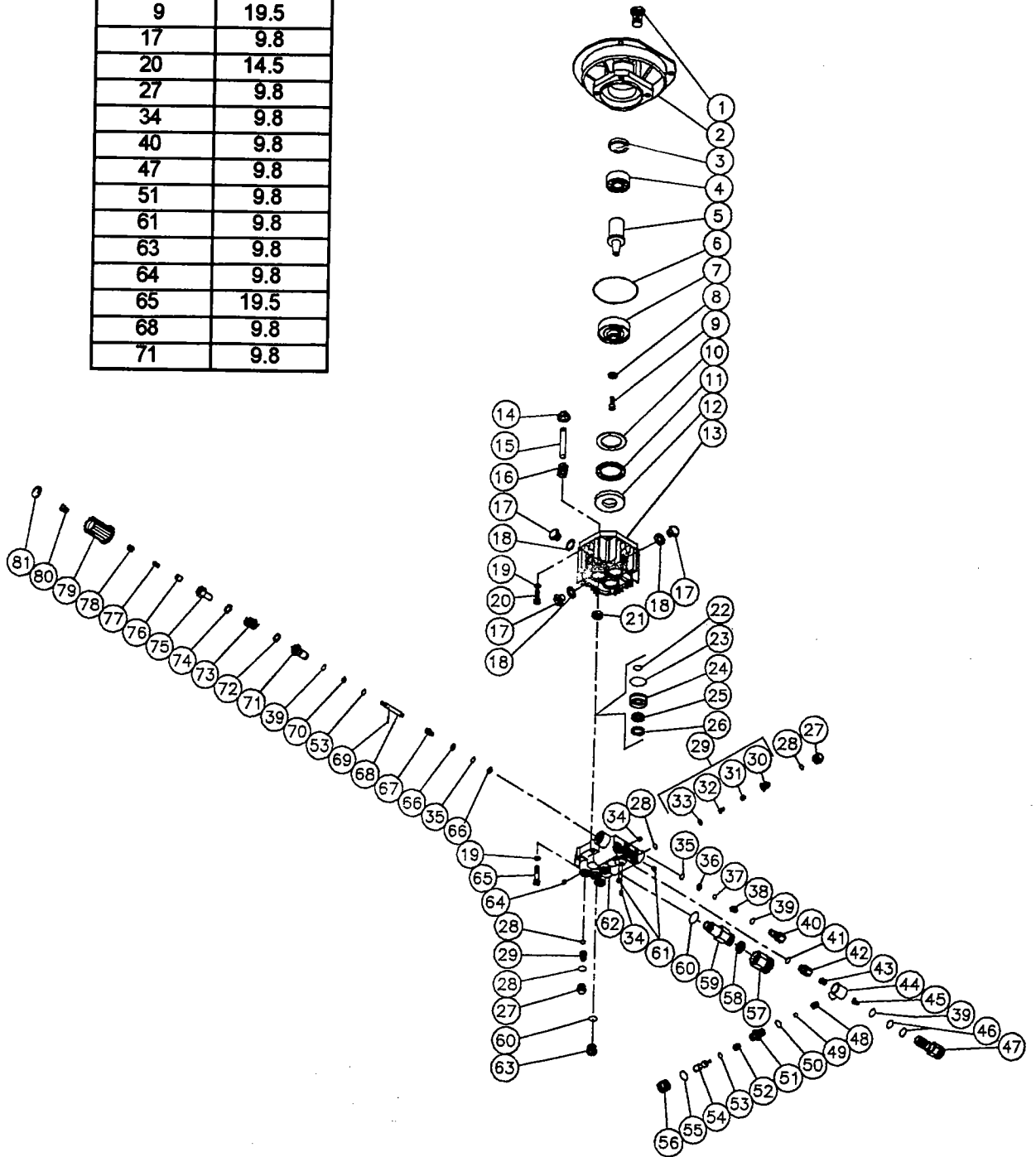
FRAME ASSEMBLY FOR CV-1750 & CV-2000



CV-1750 & CV-2000 FRAME ASSEMBLY							
REF. #	DESCRIPTION	PART #	QTY.	REF. #	DESCRIPTION	PART #	QTY.
1	Handle	7-0116	1	19	Decal-Warning: Muffler Hot	34-0598	1
2	Knob	7-0115	2	20	Bolt (for CV-1750)	27-0069	3
3	Bolt	27-0017	2		Bolt (for CV-2000)	27-0069	2
4	Decal-Clear Laminate	34-0210	1	21	Filter	19-0001	1
5	Decal-Silver Sticker	34-0486	1	22	Heat Dump Valve	22-0148	1
6	Decal-Serial Number	N/A	1	23	Locknut	30-0157	3
7	Frame	5-0111	1	24	Pump	3-0108	1
8	Decal-Caution: Allow to Cool	34-0599	1	25	Bolt (for CV-2000 only)	27-0074	1
9	Washer	28-0006	2	26	Key-Woodruff	43-0081	1
10	Wheel	14-0051	2	27	Key-Square	43-0082	1
11	Hub Cap	33-0055	2	28	Engine-4.0 HP B&S (for CV-1750)	1-0076	1
12	Decal-Warn/Caution/Operate English	34-0576	1		Engine-5.0 HP B&S (for CV-2000)	1-0075	1
	Decal-Warn/Caut./Operate Spanish	34-0600	1	29	Decal-Clean Master Logo (CV-1750)	34-0591	1
13	Isolator	14-0063	2		Decal-Clean Master Logo (CV-2000)	34-0590	1
14	Washer	28-0021	2	30	Detergent Hose (4 feet required)	15-0021	1
15	Screw	27-3096	2	31	Detergent Strainer	19-0050	1
16	Decal-1750 PSI	34-0595	1	32	Pressure Hose (CV-1750)	15-0153	1
	Decal-2000 PSI	34-0592	1		Pressure Hose (CV-2000)	15-0148	1
17	Decal-Americal Flag	34-0521	1	33	Gun Assembly	851-0245	1
18	Decal-Technical Service Number	34-0603	1	34	Variable Nozzle Assembly 1.2mm	851-0246	1

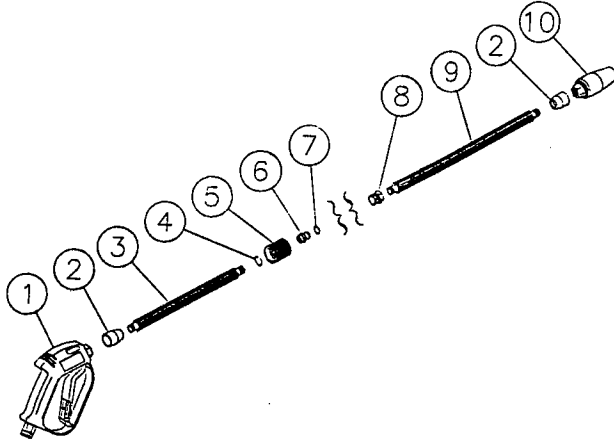
PUMP ASSEMBLY (3-0108) FOR CV-1750 & CV-2000

TORQUE SPECS	
POSITION	FT/LBS
9	19.5
17	9.8
20	14.5
27	9.8
34	9.8
40	9.8
47	9.8
51	9.8
61	9.8
63	9.8
64	9.8
65	19.5
68	9.8
71	9.8

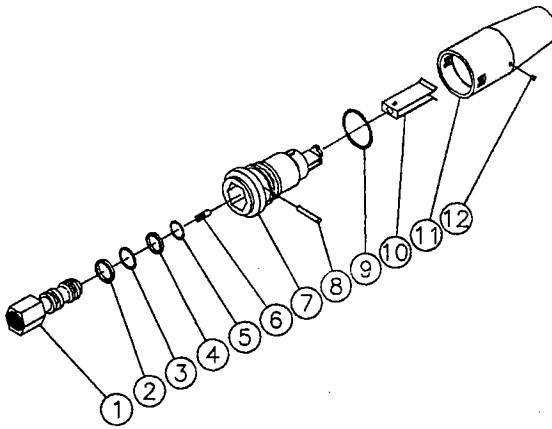


PUMP ASSEMBLY (3-0108) FOR CV-1750 & CV-2000								
REF #	DESCRIPTION	PART #	QTY		REF #	DESCRIPTION	PART #	QTY
1	Vent	46-0634	1		45	Injector Nozzle	46-0470	1
2	Flange	38-0042	1		46	O-ring	25-0263	2
3	Oil Seal	46-0425	1		47	Pressure Outlet	46-0627	1
4	Bearing	48-0037	1		48	Spring (See 852-0056)	N/A Sep.	1
5	Shaft	33-0406	1		49	Ball (See 852-0056)	N/A Sep.	1
6	O-ring	25-0243	1		50	O-ring (See 852-0056)	N/A Sep.	1
7	Wobble Plate	46-0635	1		51	Injector Nipple	46-0417	1
8	Washer	28-0133	1		52	Injector Spring	49-0088	1
9	Bolt	27-8432	1		53	O-ring (See 852-0056)	N/A Sep.	2
10	Bearing Disc	48-0051	1		54	Injector Piston	46-0418	1
11	Bearing	48-0030	1		55	Flexible Ring	25-0277	1
12	Bearing Disc	48-0032	1		56	Injector Regulation Knob	46-0469	1
13	Pump Housing	46-0426	1		57	Garden Hose Connection	23-0162	1
14	Piston Spring Retainer	46-0362	3		58	Gasket	26-0166	1
15	Piston	46-0578	3		59	Inlet Connector	23-0188	1
16	Piston Spring	49-0081	3		60	O-ring	25-0273	2
17	Oil Drain Plug	39-0065	3		61	Screw	27-8822	2
18	Gasket	26-0168	3		62	Manifold	46-0629	1
19	Lockwasher	29-0154	8		63	Manifold Plug	39-0072	1
20	Bolt	27-8194	4		64	Screw	27-8198	1
21	Oil Seal (See 70-0001)	N/A Sep.	3		65	Bolt	27-8857	4
22	O-ring (See 70-0002)	N/A Sep.	3		66	Back-up Ring	25-0247	2
23	O-ring (See 70-0002)	N/A Sep.	3		67	Piston By-pass (See 70-0120)	N/A Sep.	1
24	V-Packing Retainer	9-0060	3		68	Pressure Regulator (See 70-0120)	N/A Sep.	1
25	V-Packing (See 70-0002)	N/A Sep.	3		69	Roll Pin	46-0421	1
26	Pack Ring (See 70-0002)	N/A Sep.	3		70	Back-up Ring (See 70-0120)	N/A Sep.	1
27	Valve Plug	46-0628	6		71	Plug (See 70-0120)	N/A Sep.	1
28	O-ring	25-0335	12		72	Washer	46-0624	1
29	Valve Complete (See 70-0003)	N/A Sep.	6		73	Pressure Regulation Spring	49-0109	1
30	Valve Cage (See 70-0003)	N/A Sep.	6		74	Washer	46-0648	1
31	Valve Spring (See 70-0003)	N/A Sep.	6		75	Pressure Regulation Screw	46-0623	1
32	Valve Plate (See 70-0003)	N/A Sep.	6		76	Screw Support	27-8853	1
33	Valve Seat (See 70-0003)	N/A Sep.	6		77	Bolt	27-8810	1
34	Screw	27-8821	2		78	Internal Screw	27-8852	1
35	O-ring	25-0230	2		79	Pressure Regulation Knob	7-0091	1
36	Valve Seat	46-0409	1		80	Screw	27-8086	1
37	Ball	46-0394	1		81	Cap	7-0088	1
38	Valve Spring	46-0411	1			Oil Seal Kit (3 each of 21)	70-0001	
39	O-ring	25-0255	3			V-Packing Kit (3 each of 22, 23, 25, 26)	70-0002	
40	Plug	46-0412	1			Valve Kit (6 each of 28 & 29)	70-0003	
41	O-ring	25-0334	1			Unloader Seat (1 each 35-40)	70-0110	
42	No Return Valve	46-0626	1			Unloader Stem Kit (1 each of 35, 39, 53, 66-81)	70-0120	
43	Spring	49-0110	1			Injector Repair Kit (1 ea. 48-50, 53)	852-0056	
44	Injector Body	46-0620	1			Manifold Assy. (1 each 22-56, 59-64, 66-81)	70-0136	

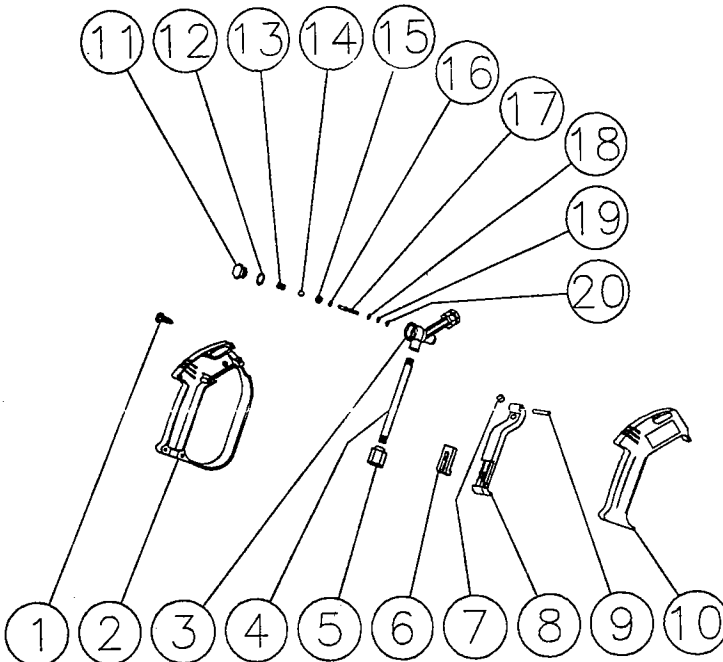
GUN & LANCE ASSEMBLY FOR CV-1750 & CV-2000



GUN (851-0245) & LANCE (851-0246) ASSEMBLY			
Ref. #	Description	Part #	Qty.
1	Gun Assembly	16-0190	1
2	Protective Cover	62-0091	2
3	Insulated Lance	16-9001	1
4	Retaining Ring	33-0235	1
5	Hand Wheel	16-0303	1
6	Plug/Screw Connect	23-0267	1
7	O-ring	25-0291	1
8	Adapter	23-0266	1
9	Insulated Lance	16-9002	1
10	Variable Nozzle (1.2mm)	18-0274	1
	Gun Assembly (Includes 1-7)	851-0245	
	Variable Nozzle Assy. (Inc. 2, 8-10)	851-0246	



VARIABLE NOZZLE (18-0274) ASSEMBLY			
REF. #	DESCRIPTION	PART #	QTY.
1	Nozzle Body	18-0284	1
2	Back-up Ring	25-0346	1
3	O-ring	25-0345	1
4	Back-up Ring	25-0344	1
5	O-ring	25-0343	1
6	Nozzle 1.2mm	18-0237	1
7	Plastic Housing	N/A	1
8	Pin	43-0083	1
9	O-ring	25-0342	1
10	Angle Plate	18-0283	1
11	Nozzle Protector	18-0282	1
12	Identification Pin (1.2mm / Yellow)	18-0286	1
	Variable Nozzle Assembly Complete	18-0274	



GUN (16-0190) ASSEMBLY			
REF. #	DESCRIPTION	PART #	QTY.
1	Screw	27-8382	13
2	Plastic Housing (Left Side)	16-0189	1
3	Housing	23-0183	1
4	Pipe	21-0095	1
5	Nipple	23-0174	1
6	Trigger Safety Lock	16-0188	1
7	Trigger Rest	16-0186	1
8	Trigger	16-0187	1
9	Trigger Pin	43-0069	1
10	Plastic Housing (Right Side)	16-0185	1
11	Plug	N/A	1
12	O-ring	N/A	1
13	Spring	N/A	1
14	Ball	N/A	1
15	Seat	N/A	1
16	O-ring	N/A	1
17	Pin	N/A	1
18	Washer	N/A	1
19	O-ring	N/A	1
20	Back-up Ring	N/A	1
	Gun Assembly Complete	16-0190	