

The **Chore Master**[®] by Mi-T-M[®]

PARTS LIST FOR

CV-1800-0MBH (AFTER SERIAL #10241138)

CV-2100-0MBC (AFTER SERIAL #10217673)

CV-2100-0MHC (AFTER SERIAL #10026779)

Engine Oil Grade:

Honda:

SAE10W-30

Vanguard:

Above 40°F=SAE 30

Below 40°F=SAE10W-30

Engine Oil Capacity:

20 oz.

Nozzle Size:

1.20 mm

Pump Oil Grade:

CV-1800-0MBH/CV-2100-0MBC:

75W90 Synthetic

CV-2100-0MHC:

Mi-T-M Pump Oil #AW-4085-0016

Pump Oil Capacity:

CV-1800-0MBH/CV-2100-0MHC:

4.5 oz.

CV-2100-0MBC:

2.3 oz.

This Parts Listing has been compiled for your benefit. You can be assured your Mi-T-M Cold Water Pressure Washer was constructed and designed with quality and performance in mind using over 25 years experience in the pressure washer business. Each component has been rigorously tested to insure the highest level of acceptance.

The contents of this Parts Listing are based on the latest product information available at the time of publication. Mi-T-M reserves the right to make changes in price, color, materials, equipment, specifications or models at any time without notice.

WARNING

THIS IS A PROFESSIONAL HIGH PRESSURE, COLD WATER PRESSURE WASHER. CAUTION SHOULD BE OBSERVED WHEN USING OR REPAIRING THIS UNIT! READ AND FOLLOW THE SAFETY WARNINGS LISTED BELOW BEFORE ATTEMPTING ANY REPAIRS ON THIS PRESSURE WASHER!

SAFETY WARNINGS

1. NEVER alter or modify the equipment. Be sure any accessory items and system components being used will withstand the pressure developed. Use only genuine Mi-T-M parts for repair of your pressure washer. Failure to do so can cause hazardous operating conditions and will VOID warranty.
2. NEVER make adjustments on machinery while the unit is connected to the power source. Turning over the machinery by hand during adjustment or cleaning might start the machinery, causing serious injury to the operator.
3. Know how to stop and bleed pressures quickly. Be thoroughly familiar with controls.
4. Before servicing the unit, turn unit off, relieve the water pressure and allow the unit to cool down. Do not make repairs while the unit is running. Service in a clean, dry, flat area.
5. After testing the machine, DO NOT leave the pressurized unit unattended. Shut off the unit and release trapped pressure before leaving.

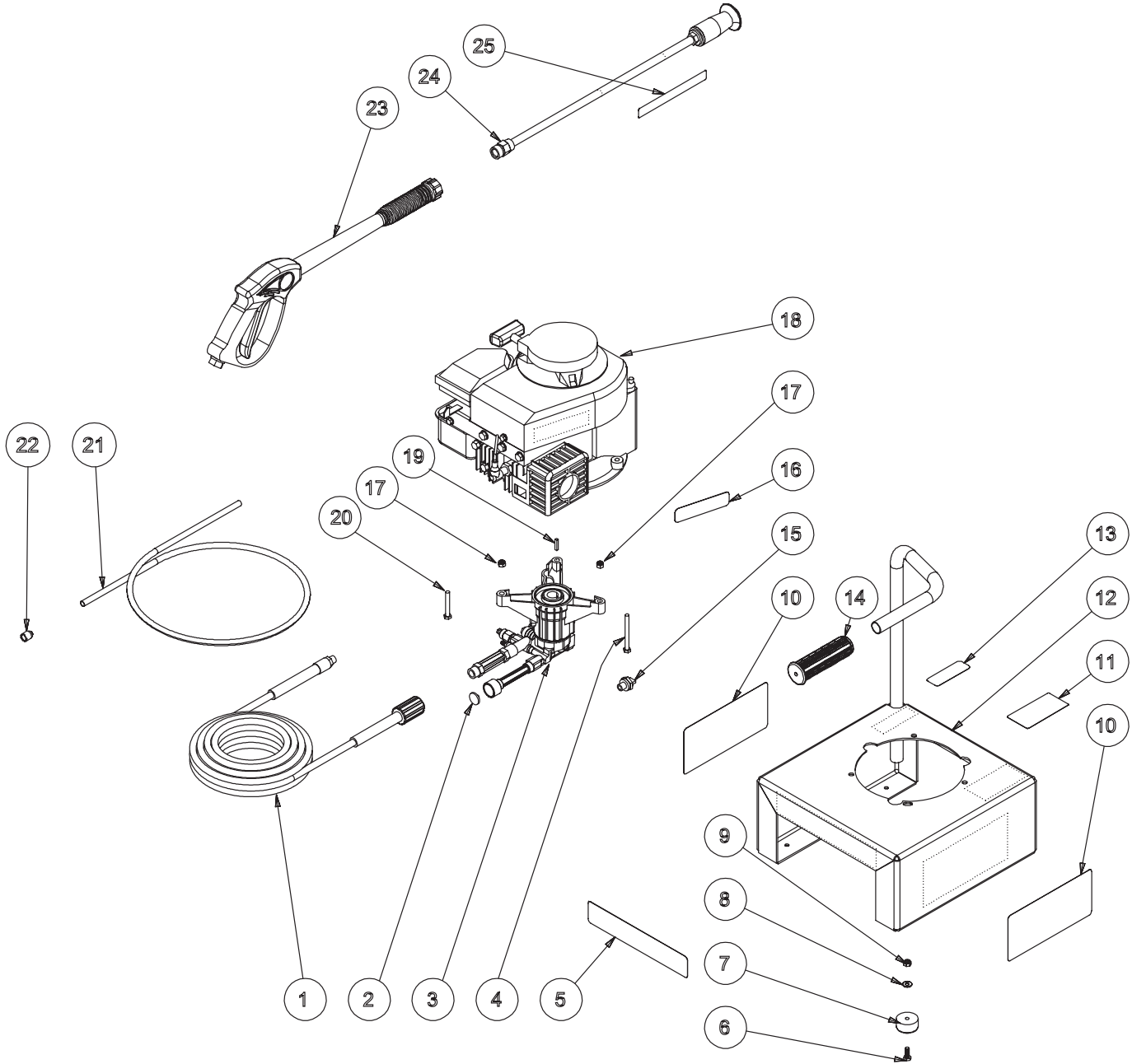
Table of Contents

SPECIFICATIONS.....	3
FRAME ASSEMBLY FOR CV-1800-0MBH (AFTER SERIAL #10241138)	4
FRAME ASSEMBLY FOR CV-2100-0MBC (AFTER SERIAL #10217673).....	6
FRAME ASSEMBLY FOR CV-2100-0MHC (AFTER SERIAL #10026779)	8
PUMP ASSEMBLY (3-0152)	10
PUMP ASSEMBLY (3-0271)	12
GUN/ WAND ASSEMBLY (16-0365)	14
LANCE ASSEMBLY (16-0388)	16
NOTES	18-19

SPECIFICATIONS

MODEL NUMBER	CV-1800-0MBH	CV-2100-0MBC	CV-2100-0MHC
Operating Pressure (PSI/Bar):	1800/124.1	2100/144.5	
High Pressure Nozzle:	1.20 mm		
Water Volume (GPM/lpm):	2.0/7.6		
Engine:	Briggs & Stratton		Honda
Horsepower	4.0	6.0	5.5
Engine Type	4 Stroke, Overhead Valve, Single Cylinder		
Oil Type	SAE10W-30		Above 40°F=SAE30/ Below 40°F=SAE10W-30
Oil Capacity (oz./liters)	20/6		
Fuel Type	Unleaded Gasoline 86 Octane Minimum		
Fuel Capacity (gallon/ liters)	1/.95	.38/1.42	.29/1.1
Starting	Recoil		
Maximum No Load RPM	3600 (+/- 100) RPM		
Pump:	Direct Driven, Oil Bath, Triplex Axial Piston		
Oil Type	75W90 Synthetic		Mi-T-M Pump Oil #AW-4085-0016
Oil Capacity (oz./liters)	2.3/0.7		4.5/1.3
Plungers	Stainless Steel		
Manifold	Brass		Aluminum
Valves	Plastic		Stainless Steel
Unloader	Preset		
Detergent Injector	Low pressure down stream from pump		
Unit Net Weight (lbs/Kg)	46 / 21	62 / 28	60 / 27
Unit Shipping Weight (lbs/Kg)	61 / 27.5	71 / 33.5	75 / 34
Unit Net Dimension (in/cm)	13.5L x 13.5W x 21.5H / 34L x 34W x 54.5H	21L x 17W x 20H / 53L x 43W x 50.5H	21.5L x 16.5W x 21.5H / 54.5L x 42W x 54.5H
Unit Shipping Dimension (in/cm)	20L x 15Wx 24H / 51 L x 38Wx 61H	25L x 17.5W x 24H / 63.5L x 44.5W x 61H	24.75L x 17.5W x 23H / 63L x 44.5W x 58H

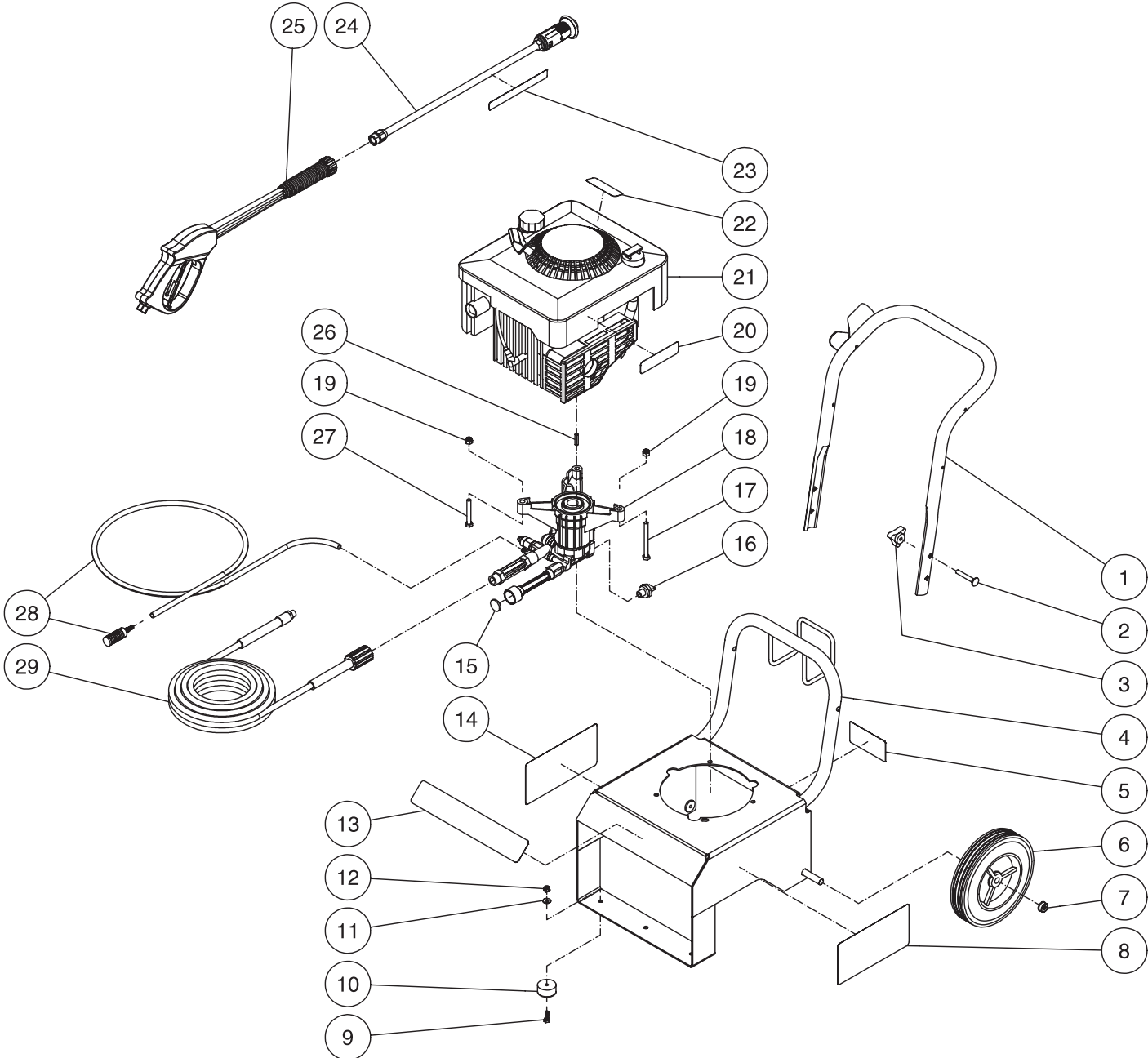
FRAME ASSEMBLY FOR CV-1800-0MBH (AFTER SERIAL #10241138)



CV-1800-0MBH-082906-GJH

FRAME ASSEMBLY FOR CV-1800-0MBH (AFTER SERIAL #01241138)							
REF. #	DESCRIPTION	PART #	QTY.	REF. #	DESCRIPTION	PART #	QTY.
1	Hose	15-0239	1	14	Handle Grip	7-0059	1
2	Inlet Filter Washer	19-0001	1	15	Thermal Relief Valve	22-0208	1
3	Pump	3-0271	1	16	Decal- Warning: Risk of Burns	N/A Sep.	1
4	Bolt	27-0076	1	17	Locknut	30-0157	3
5	Decal- CV-1800-0MBH	34-1527	1	18	Engine- 4.0 HP	1-0144	1
6	Screw	27-0015	4	19	Key	43-0082	1
7	Isolator	14-0069	4	20	Bolt	27-0072	2
8	Washer	28-0002	4	21	Detergent Hose *(Four Feet Required)	15-0021	1
9	Locknut	30-0155	4	22	Detergent Strainer	19-0050	1
10	Decal- Warning/Caution/Operation (See 34-9023)	N/A Sep.	2	23	Gun/Wand Assembly	16-0365	1
11	Decal- Data Plate	N/A	1	24	Lance w/ Variable Nozzle	16-0388	1
12	Frame Assembly	5-0196A01	1	25	Decal- Warning: Risk of Injection (See 34-9023)	N/A Sep.	1
13	Decal- Caution: Risk of Fire (See 34-9023)	N/A Sep.	1		Decal Kit (Inc. 10, 13, 16, 25)	34-9023	
*Must Order in One Foot Lengths							

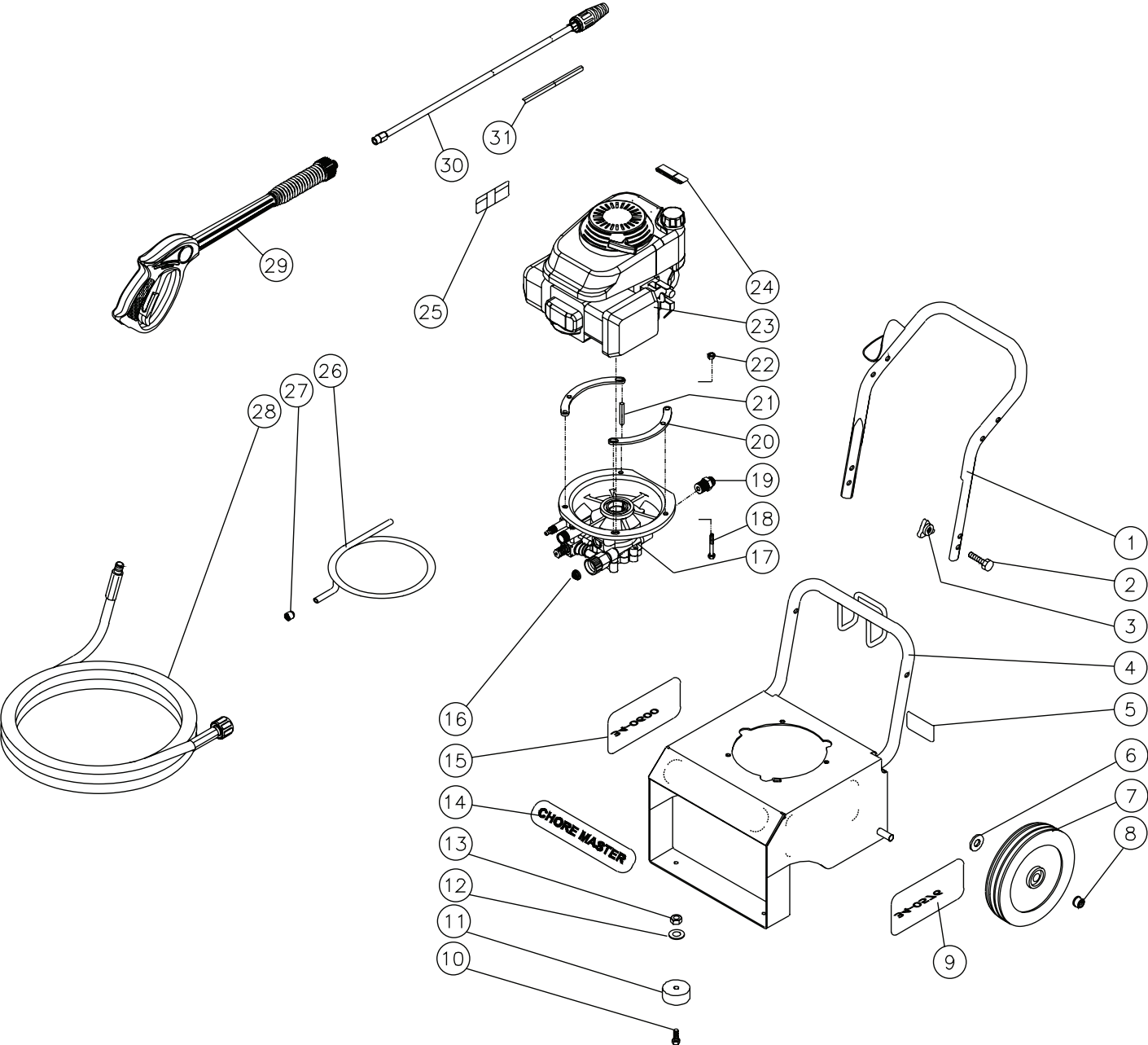
FRAME ASSEMBLY FOR CV-2100-0MBC (AFTER SERIAL #10217673)



CV-2100-0MBC-091905-GJH

FRAME ASSEMBLY FOR CV-2100-0MBC (AFTER SERIAL #10217673)							
REF. #	DESCRIPTION	PART #	QTY.	REF. #	DESCRIPTION	PART #	QTY.
1	Handle	7-0165A01	1	16	Thermal Relief Valve	22-0208	1
2	Bolt	31-0051	2	17	Bolt	27-0076	1
3	Knob	7-0107	2	18	Pump	3-0271	1
4	Frame Assembly	5-0168A01	1	19	Locknut	30-0157	3
5	Decal- Data Plate	N/A	1	20	Decal- Warning: Muffler Hot (See 34-9023)	N/A Sep.	1
6	Wheel	14-0077	2	21	Engine- 6.0 HP Briggs & Stratton	1-0078	1
7	Hub Cap	33-0055	2	22	Decal- Caution: Allow to Cool (See 34-9023)	N/A Sep.	1
8	Decal- Warn/Caution/Oper. (See 34-9023)	N/A Sep.	1	23	Decal- Warning: Risk of Injection (See 34-9023)	N/A Sep.	1
9	Bolt	27-0015	2	24	Lance	16-0381	1
10	Isolator	14-0069	2	25	Gun	16-0388	1
11	Washer	28-0002	2	26	Key	43-0082	1
12	Locknut	30-0155	2	27	Bolt	27-0072	2
13	Decal- Choremaster Logo	34-1186	1	28	Detergent Hose w/ Strainer	19-0233	1
14	Decal- Warning/Caution/Operation (See 34-9023)	N/A Sep.	1	29	Pressure Hose	15-0239	1
15	Filter	19-0001	1		Safety Decal Kit (Inc. 8, 14, 20, 22-23)	34-9023	

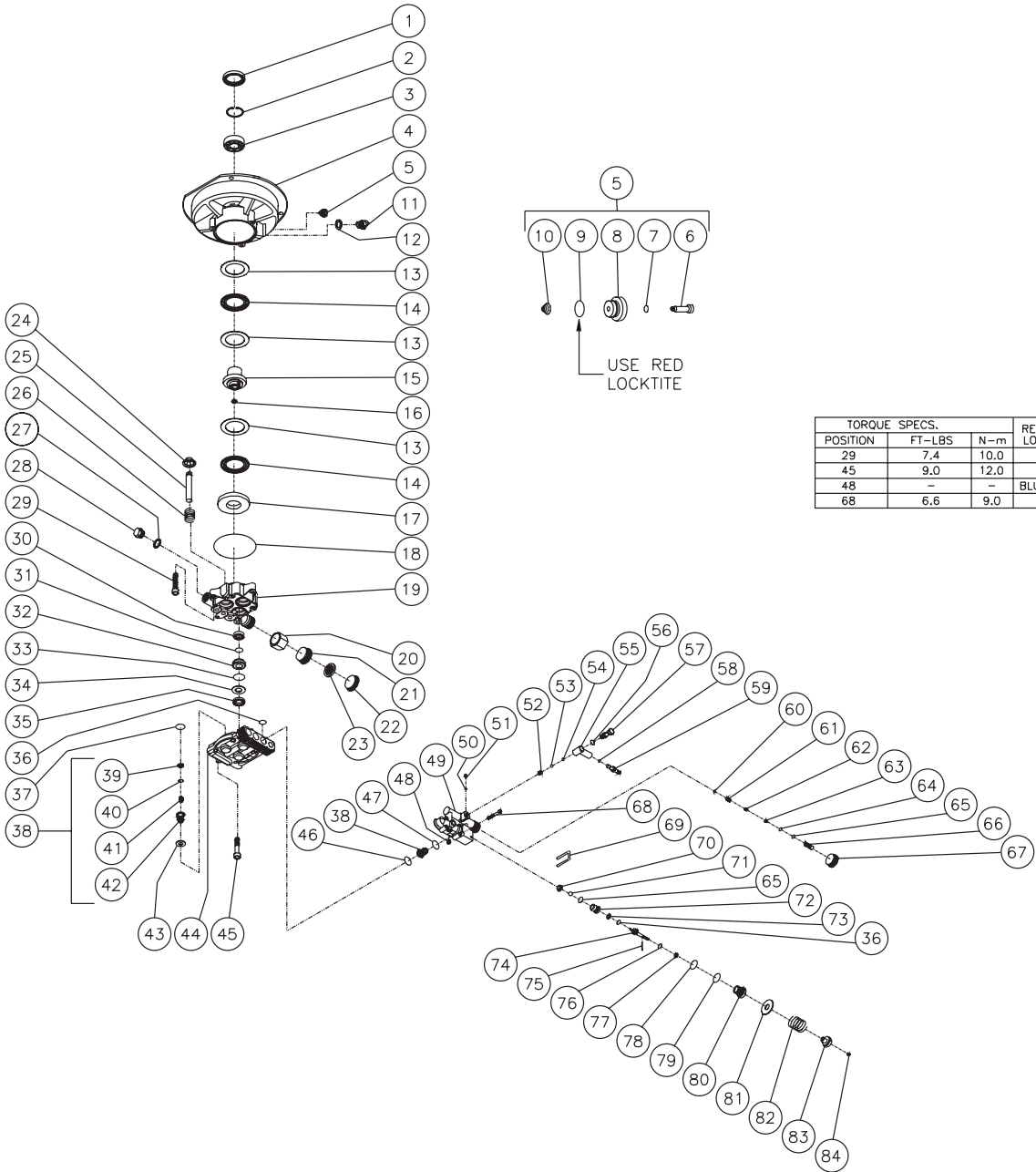
FRAME ASSEMBLY FOR CV-2100-0MHC (AFTER SERIAL #10026779)



CV-2100-0MHC-051302-RD

FRAME ASSEMBLY FOR CV-2100-0MHC (AFTER SERIAL #10026779)								
REF. #	DESCRIPTION	PART #	QTY.		REF. #	DESCRIPTION	PART #	QTY.
1	Handle	7-0165A01	1		17	Pump	3-0152	1
2	Bolt	31-0051	2		18	Bolt	27-0071	4
3	Knob	7-0107	2		19	Heat Dump Valve	22-0114	1
4	Frame Assembly	5-0168A01	1		20	Engine Bracket	13-0134	2
5	Decal- Data Plate	N/A	1		21	Key	43-0073	1
6	Washer	28-0006	2		22	Locknut	30-0157	4
7	Wheel	14-0077	2		23	Engine- 5.5 HP Honda	1-0131	1
8	Hub Cap	33-0055	1		24	Decal- Caution: Allow to Cool (See 34-9023)	N/A Sep.	1
9	Decal- Warning/Caution/Operation (See 34-9023)	N/A Sep.	1		25	Decal- Warning: Muffler Hot (See 34-9023)	N/A Sep.	1
10	Bolt	27-0015	2		26	Detergent Hose *(Four Feet Required)	15-0021	1
11	Isolator	14-0069	2		27	Detergent Strainer	19-0050	1
12	Washer	28-0002	2		28	Pressure Hose	15-0167	1
13	Locknut	30-0155	2		29	Gun	16-0365	1
14	Decal- Choremaster Logo	34-1335	1		30	Lance	16-0388	1
15	Decal- Warning/Caution/Operation (See 34-9023)	N/A Sep.	1		31	Decal- Warning: Risk of Injection (See 34-9023)	N/A Sep.	1
16	Filter	19-0001	1			Safety Decal Kit (Inc. 9, 15, 24-25, 31)	34-9023	
*Must Order in One Foot Lengths								

PUMP ASSEMBLY (3-0152)

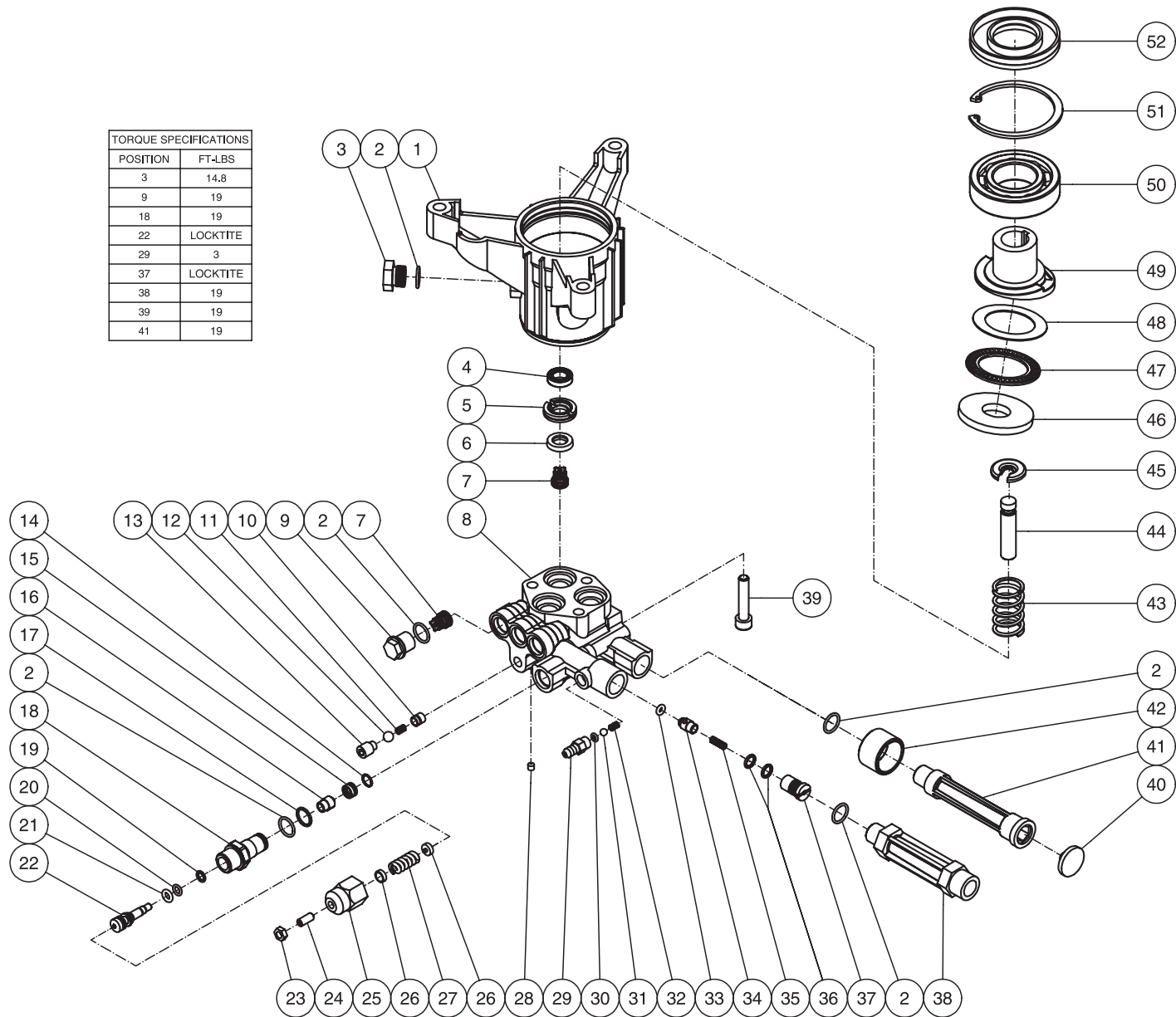


3-0152-072401-EDW

PUMP ASSEMBLY (3-0152)											
REF #	DESCRIPTION	PART #	QTY	REF #	DESCRIPTION	PART #	QTY	REF #	DESCRIPTION	PART #	QTY
1	Oil Seal	26-0244	1	32	Packing Retainer	46-0737	3	63	Injector Nozzle	46-0356	1
2	Snap Ring	46-0940	1	33	O-ring	25-0399	3	64	O-ring	25-0362	1
3	Bearing	48-0074	1	34	Back-up Ring	25-0422	3	65	O-ring	25-0248	2
4	Flange	38-0061	1	35	Pressure Seal	46-0744	3	66	Injector Body	46-0360	1
5	Oil Vent Assembly (Inc. 6-10)	22-0223	1	36	O-ring	25-0343	2	67	Plug (For Shipping Only)	N/A	1
6	Oil Vent (See 22-0223)	N/A Sep.	1	37	O-ring	25-0359	3	68	Bolt	27-8893	4
7	O-ring	25-0253	1	38	Valve Complete (Inc. 39-42) (See 70-0191)	N/A Sep.	6	69	U-Clip	46-0741	1
8	Oil Vent (See 22-0223)	N/A Sep.	1	39	Valve Seat (See 70-0191)	N/A Sep.	6	70	Valve Seat Plate (See 70-0192)	N/A Sep.	1
9	O-ring (See 22-0223)	N/A Sep.	1	40	Valve Plate (See 70-0191)	N/A Sep.	6	71	Ball	46-0685	1
10	Oil Vent-Spring (See 22-0223)	N/A Sep.	1	41	Valve Spring (See 70-0191)	N/A Sep.	6	72	Unloader Seat	46-0352	1
11	Oil Sight Glass	39-0117	1	42	Valve Cage-Plastic (See 70-0191)	N/A Sep.	6	73	Backup Ring	25-0247	1
12	O-ring	25-0477	1	43	Shim	46-0745	3	74	Piston Bypass Valve (See 70-0193)	N/A Sep.	1
13	Thrust Washer	48-0056	3	44	Pump Head	46-0658	1	75	Roll Pin	46-0364	1
14	Thrust Needle Roller Bearing	48-0057	2	45	Bolt	27-8892	5	76	O-ring	25-0242	1
15	Wobble Plate	46-0943	1	46	O-ring	25-0360	3	77	Backup Ring	25-0246	1
16	Plug	39-0082	1	47	O-ring	25-0238	4	78	O-ring	25-0231	1
17	Thrust Washer	48-0064	1	48	Plug	27-8197	1	79	O-ring	25-0263	1
18	O-ring	25-0358	1	49	Pump Manifold	46-0740	1	80	Body Bypass Valve	8-0472	1
19	Pump Housing w/Heat Dump Port	46-0746	1	50	O-ring	25-0357	1	81	Washer	28-0295	1
20	Garden Hose Connection	23-0304	1	51	Bolt	27-8894	1	82	Pressure Regulating Spring - 2000 PSI	49-0131	1
21	Garden Hose Adapter	23-0305	1	52	Detergent Injector Spring (See 70-0102)	N/A Sep.	1	83	Pressure Regulating Nut	8-0471	1
22	Plug (For Shipping Only)	N/A	1	53	Detergent Injector Ball (See 70-0102)	N/A Sep.	1	84	Set Screw	27-8895	1
23	Washer	19-0001	1	54	O-ring (See 70-0102)	N/A Sep.	1		Piston Assembly (Includes 24-25)	70-0190	
24	Retainer	46-0663	3	55	Detergent Injector Adapter	46-0636	1		Valve Kit (Includes 37, 38, 46)	70-0191	
25	Piston	46-0664	3	56	O-ring (See 70-0102)	N/A Sep.	1		Injector Repair Kit (Inc. 52-54, 56)	70-0102	
26	Spring	49-0129	3	57	Banjo Fitting	46-0637	1		Unloader Check Valve Kit (Inc. 60-66)	70-0108	
27	Gasket	26-0168	1	58	O-ring	25-0341	1		Unloader Seat Kit (Includes 65, 70-72)	70-0192	
28	Plug	39-0098	1	59	Detergent Injector Hose Barb	46-0638	1		Unloader Stem Kit (Inc. 36, 73-84)	70-0193	
29	Bolt	27-8404	3	60	O-ring	25-0334	1		Manifold Assy. (Inc. 36, 48-57, 60-84)	70-0194	
30	Oil Seal	26-0195	3	61	Check Valve	22-0158	1		Packing Kit (Inc. 3 each item 33 and *34, 35)	70-0195	
31	O-ring	25-0255	3	62	Check Valve Spring	49-0130	1	*NOTE: When replacing Packing Kit, items 34 and 35 will be replaced by Part # 46-0738.			

PUMP ASSEMBLY (3-0271)

TORQUE SPECIFICATIONS	
POSITION	FT-LBS
3	14.8
9	19
18	19
22	LOCKTITE
29	3
37	LOCKTITE
38	19
39	19
41	19

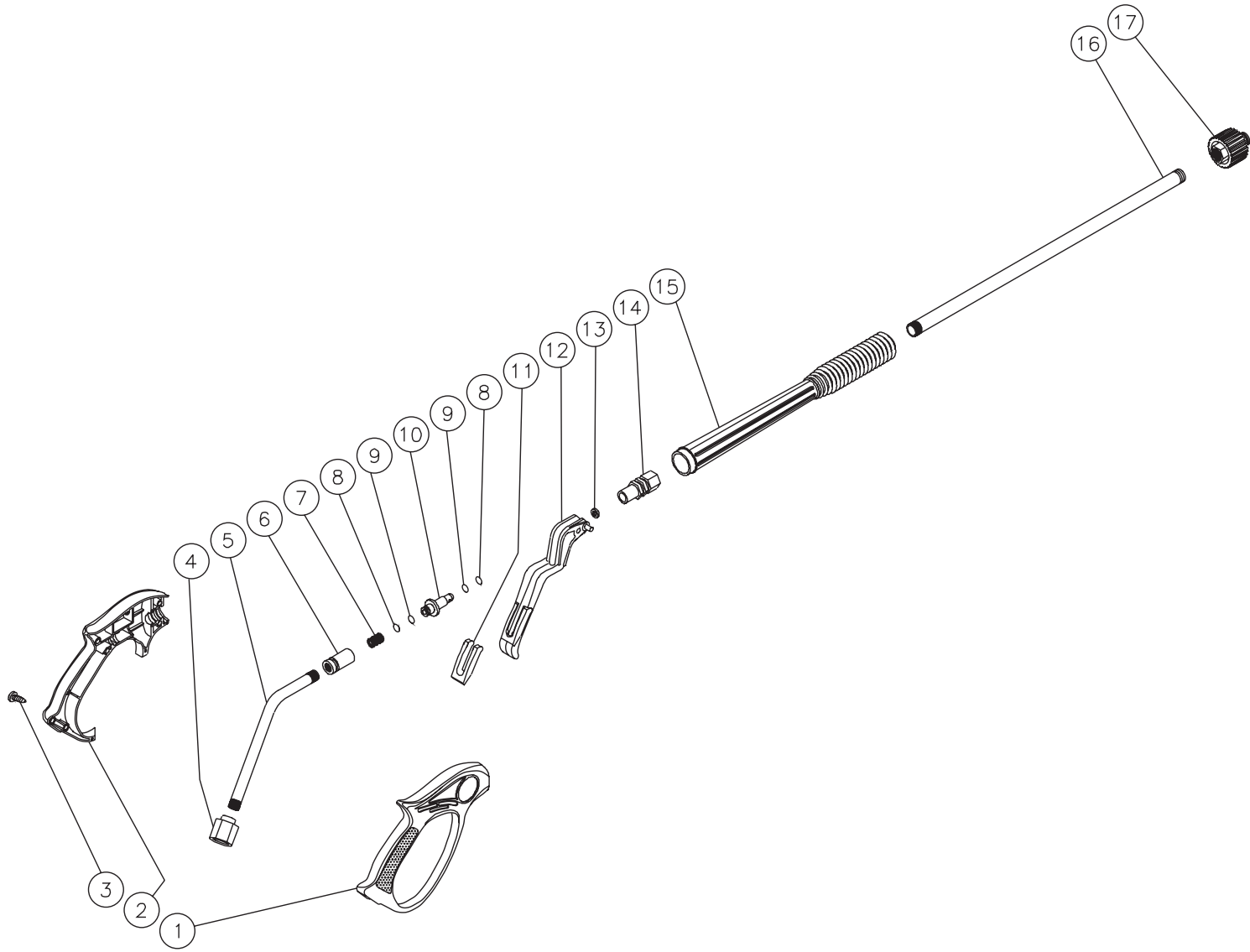


3-0271-052606-JJT

PUMP ASSEMBLY (3-0271)

REF. #	DESCRIPTION	PART #	QTY.	REF. #	DESCRIPTION	PART #	QTY.	REF. #	DESCRIPTION	PART #	QTY.
1	Pump Housing	N/A	1	21	O-ring	25-0526	1	41	Inlet Extension	46-1179	1
2	O-ring	25-0325	7	22	Unloader Piston	8-0565	1	42	Garden Hose Fitting	46-1178	1
3	Plug	39-0203	1	23	Nut	30-6024	1	43	Spring	49-0160	3
4	Piston Oil Seal (See 70-0411)	N/A Sep.	3	24	Set Screw	27-9587	1	44	Piston (See 70-0410)	N/A Sep.	3
5	Packing Retainer	46-1177	3	25	Adjustment Barrel	8-0564	1	45	Spring Retainer	46-1183	3
6	High Pressure Seal (See 70-0412)	N/A Sep.	3	26	Spring Button	8-0501	2	46	Washer	46-0876	1
7	Valve Complete (See 70-0409)	N/A Sep.	6	27	Unloader Spring	49-0157	1	47	Bearing	48-0057	1
8	Pump Head	N/A	1	28	Set Screw	27-9588	1	48	Washer	48-0056	1
9	Valve Cap	39-0218	3	29	Hose Barb	46-0869	1	49	Wobble Plate Shaft	46-1184	1
10	Easy Start Seat	8-0568	1	30	O-ring	25-0371	1	50	Ball Bearing	48-0014	1
11	Spring	49-0158	1	31	Stainless Steel Ball	8-0521	1	51	Snap Ring	46-1185	1
12	Easy Start Ball	8-0567	1	32	Compression Spring	8-0520	1	52	Oil Seal	26-0290	1
13	Set Screw	27-9589	1	33	O-ring	25-0406	1		Injector Repair Kit (Inc. 30-32)	70-0293	
14	O-ring	25-0500	1	34	Non-Return Valve	46-1180	1		Valve Kit (Inc. 6 each 7)	70-0409	
15	Unloader Seat	8-0570	1	35	Spring	49-0159	1		Piston Kit (Inc. 3 each 44)	70-0410	
16	Unloader Poppet	8-0569	1	36	O-ring	25-0403	2		Piston Oil Seals Kit (Inc. 3 each 4)	70-0411	
17	O-ring	25-0387	1	37	Detergent Injector	46-1181	1		High Pressure Seals Kit (Inc. 3 each 6)	70-0412	
18	Piston Guide	8-0566	1	38	Outlet Extension	46-1182	1		O-ring Kit (Inc. 2, 14, 17, 20, 21, 30, 33, 36)	70-0413	
19	Back-up Ring	25-0589	1	39	Bolt	27-9590	3		Unloader Complete Kit (Inc. 2, 14-27)	70-0446	
20	O-ring (See 70-0413 or 70-0446)	N/A Sep.	1	40	Inlet Filter	19-0001	1				

GUN/ WAND ASSEMBLY (16-0365)



16-0364-081203-RD

GUN/WAND ASSEMBLY (16-0365)								
REF. #	DESCRIPTION	PART #	QTY.		REF. #	DESCRIPTION	PART #	QTY.
1	Gun Body (Right Side)	16-0367	1		11	Trigger Lock	16-0372	1
2	Gun Body (Left Side)	16-0368	1		12	Trigger	16-0373	1
3	Screw	27-8862	6		13	Seat	26-0238	1
4	Adapter	23-0385	1		14	Brass Body Outlet	16-0374	1
5	Pipe (See 70-0377)	N/A Sep.	1		15	Gripping Area (Plastic)	16-0375	1
6	Brass Body Inlet	16-0370	1		16	Pipe	16-0376	1
7	Spring	49-0141	1		17	Screw Connnect Coupling	16-0377	1
8	O-ring	25-0363	2			Inlet Kit (Includes 4-6)	70-0377	
9	Back-up Ring	25-0416	2			Shutter Valve Kit (Includes 7-10)	70-0289	
10	Valve	16-0371	1			Complete Gun/Wand Assembly (Inc. 1-17)	16-0365	