



The Chore Master®

PARTS LIST FOR

CV-2600-3MMC

CV-2600-4MMC

CV-2600-4MHC

CV-3000-4MHC

Engine Oil Grade:	SAE10W-30
Engine Oil Capacity:	See Model Specifications
Nozzle Size:	
CV-2600	2.7
CV-3000	2.5

This Parts Listing has been compiled for your benefit. You can be assured your Mi-T-M Cold Water Pressure Washer was constructed and designed with quality and performance in mind using over 25 years experience in the pressure washer business. Each component has been rigorously tested to ensure the highest level of acceptance.

The contents of this Parts Listing are based on the latest product information available at the time of publication. Mi-T-M reserves the right to make changes in price, color, materials, equipment, specifications or models at any time without notice.

WARNING

THIS IS A PROFESSIONAL HIGH PRESSURE, COLD WATER PRESSURE WASHER. CAUTION SHOULD BE OBSERVED WHEN USING OR REPAIRING THIS UNIT! READ AND FOLLOW THE SAFETY WARNINGS LISTED BELOW BEFORE ATTEMPTING ANY REPAIRS ON THIS PRESSURE WASHER!

SAFETY WARNINGS

1. NEVER alter or modify the equipment. Be sure any accessory items and system components being used will withstand the pressure developed. Use only genuine Mi-T-M parts for repair of your pressure washer. Failure to do so can cause hazardous operating conditions and will VOID warranty.
2. NEVER make adjustments on machinery while the unit is connected to the power source. Turning over the machinery by hand during adjustment or cleaning might start the machinery, causing serious injury to the operator.
3. Know how to stop and bleed pressures quickly. Be thoroughly familiar with controls.
4. Before servicing the unit, turn unit off, relieve the water pressure and allow the unit to cool down. Do not make repairs while the unit is running. Service in a clean, dry, flat area.
5. After testing the machine, DO NOT leave the pressurized unit unattended. Shut off the unit and release trapped pressure before leaving.

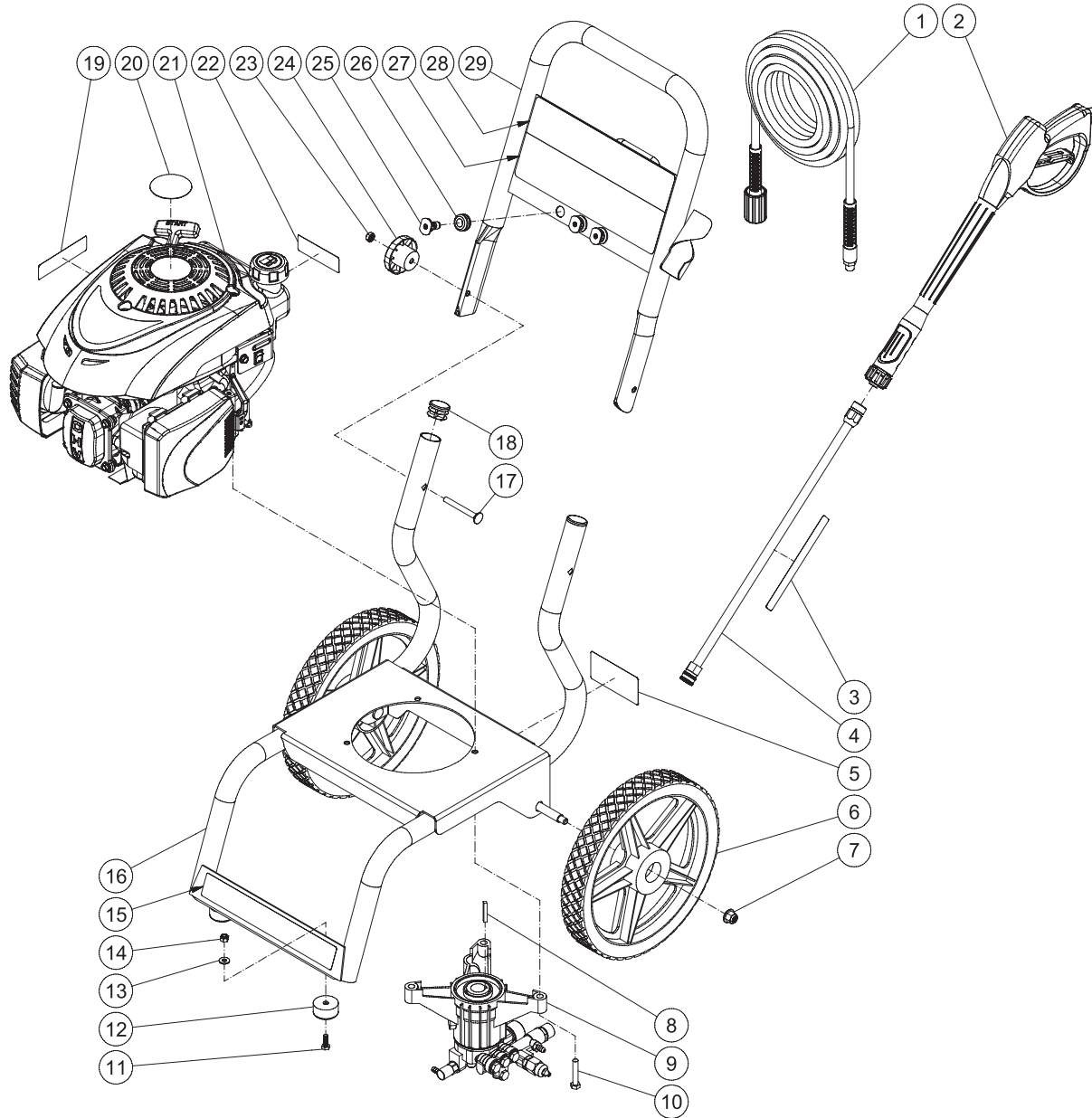
Table of Contents

SPECIFICATIONS	3
FRAME ASSEMBLY FOR CV-2600-3MMC	4
FRAME ASSEMBLY FOR CV-2600-4MMC / CV-2600-4MHC / CV-3000-4MHC	6
PUMP ASSEMBLY (3-0424)	8

SPECIFICATIONS

MODEL NUMBER	CV-2600-3MMC	CV-2600-4MMC	CV-2600-4MHC	CV-3000-4MHC
Operating Pressure (PSI/Bar):	2600/179	2600/179	2600/179	3000/206.8
High Pressure Nozzle:	2.7	2.7	2.7	2.5
Water Volume (GPM/lpm):	2.2/8.3	2.2/8.3	2.2/8.3	2.0/7.6
Engine:	Mi-T-M	Mi-T-M	Honda	Honda
Model #	RV170	RV170	GCV 160	GCV 190
Engine Type	4 Stroke, Overhead Valve, Single Cylinder	4 Stroke, Overhead Valve, Single Cylinder	4 Stroke, Overhead Valve, Single Cylinder	4 Stroke, Overhead Valve, Single Cylinder
Oil Type	SAE10W-30	SAE10W-30	SAE10W-30	SAE10W-30
Oil Capacity (oz./liters)	19/0.55	19/0.55	19/0.55	19/0.55
Fuel Type	Unleaded Gasoline 86 Octane Minimum	Unleaded Gasoline 86 Octane Minimum	Unleaded Gasoline 86 Octane Minimum	Unleaded Gasoline 86 Octane Minimum
Fuel Capacity (gallon/ liters)	0.29/1.1	0.29/1.1	0.25/.093	0.25/0.93
Starting	Recoil	Recoil	Recoil	Recoil
Maximum No Load RPM	3800 (+/- 100) RPM	3800 (+/- 100) RPM	3800 (+/- 100) RPM	3800 (+/- 100) RPM
Pump:	Direct Driven, Oil Bath, Triplex Axial Piston	Direct Driven, Oil Bath, Triplex Axial Piston	Direct Driven, Oil Bath, Triplex Axial Piston	Direct Driven, Oil Bath, Triplex Axial Piston
Oil Type	Factory Sealed	Factory Sealed	Factory Sealed	Factory Sealed
Plungers	Stainless Steel	Stainless Steel	Stainless Steel	Stainless Steel
Manifold	Aluminum	Aluminum	Aluminum	Aluminum
Valves	Plastic	Plastic	Plastic	Plastic
Unloader	Preset	Preset	Preset	Preset
Detergent Injector	Low pressure down stream from pump	Low pressure down stream from pump	Low pressure down stream from pump	Low pressure down stream from pump
Detergent Tank	No	Yes	Yes	Yes
Unit Net Weight (lbs/Kg)	61/28	61/28	61/28	61/28
Unit Shipping Weight (lbs/Kg)	68/31	68/31	68/31	68/31
Unit Net Dimension (in/cm)	26.7Lx18.6Wx39.3H/ 68Lx47Wx100H	26.7Lx18.6Wx39.3H/ 68Lx47Wx100H	26.7Lx18.6Wx39.3H/ 68Lx47Wx100H	26.7Lx18.6Wx39.3H/ 68Lx47Wx100H
Unit Shipping Dimension (in/cm)	23.5Lx18.5Wx26.75H/ 60Lx47Wx68H	23.5Lx18.5Wx26.75H/ 60Lx47Wx68H	23.5Lx18.5Wx26.75H/ 60Lx47Wx68H	23.5Lx18.5Wx26.75H/ 60Lx47Wx68H

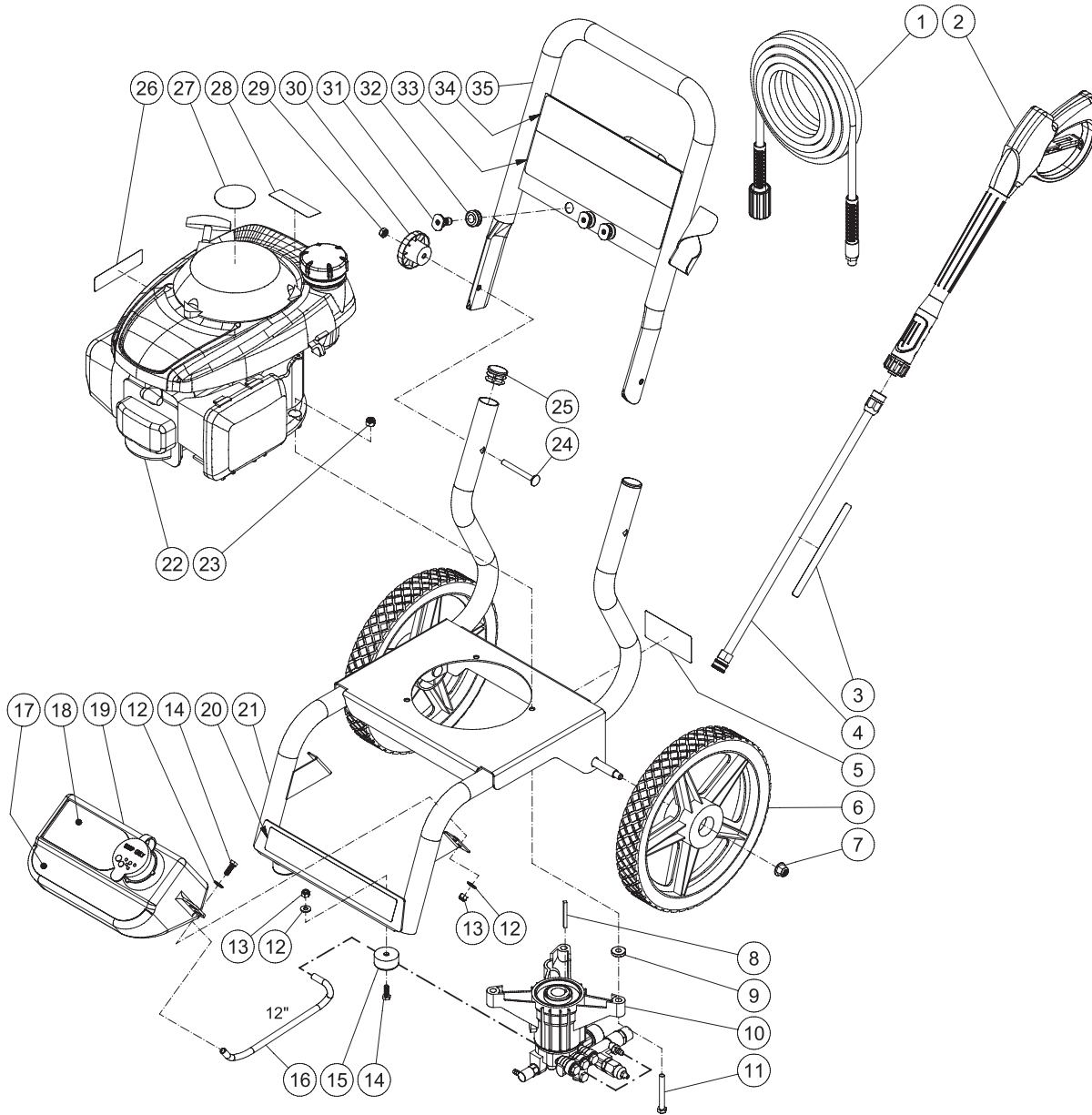
FRAME ASSEMBLY FOR CV-2600-3MMC



CV-2600-3MMC 011816

CV-2600-3MMC 011816 CH			
FRAME ASSEMBLY			
ITEM	DESCRIPTION	PART #	QTY
1	HIGH PRESSURE HOSE	15-0239	1
2	GUN & WAND - 4000 PSI	16-0442	1
3	DECAL - RISK OF INJECTION (SEE 71-1060)	N/A	1
4	LANCE ASSEMBLY	16-0366	1
5	DECAL- SILVER STICKER	N/A	1
6	WHEEL	14-0111	2
7	LOCKNUT	30-3161	2
8	KEY	43-0072	1
9	PUMP	3-0424	1
10	BOLT	27-9602	3
11	BOLT	27-0015	2
12	ISOLATOR	14-0069	2
13	WASHER	28-0002	2
14	LOCKNUT	30-0155	2
15	DECAL - CHOREMASTER (SEE 71-1060)	N/A	1
16	FRAME	5-0357A53	1
17	CARRIAGE BOLT	31-0054	2
18	PLUG	39-0380	2
19	DECAL - RISK OF BURNS (SEE 71-1060)	N/A	1
20	DECAL - 170CC SERIES	34-2455	1
21	ENGINE	1-0222	1
22	DECAL - RISK OF FIRE (SEE 71-1060)	N/A	1
23	LOCKNUT	30-0178	2
24	KNOB	7-0261	2
25	NOZZLE 15°	18-0426	1
-	NOZZLE 25°	18-0427	1
-	NOZZLE 65° DETERGENT	18-0386	1
26	GROMMET	33-0001	3
27	DECAL - WARNING/CAUTION/OPERATION (SEE 71-1060)	N/A	1
28	DECAL - PLACARD 2600PSI	34-3385	1
29	HANDLE	7-0264A01	1
-	DECAL SET	71-1060	1

FRAME ASSEMBLY FOR CV-2600-4MMC / CV-2600-4MHC / CV-3000-4MHC



CV-2600-4MMC_4MHC_3000-4MHC 011816 CH

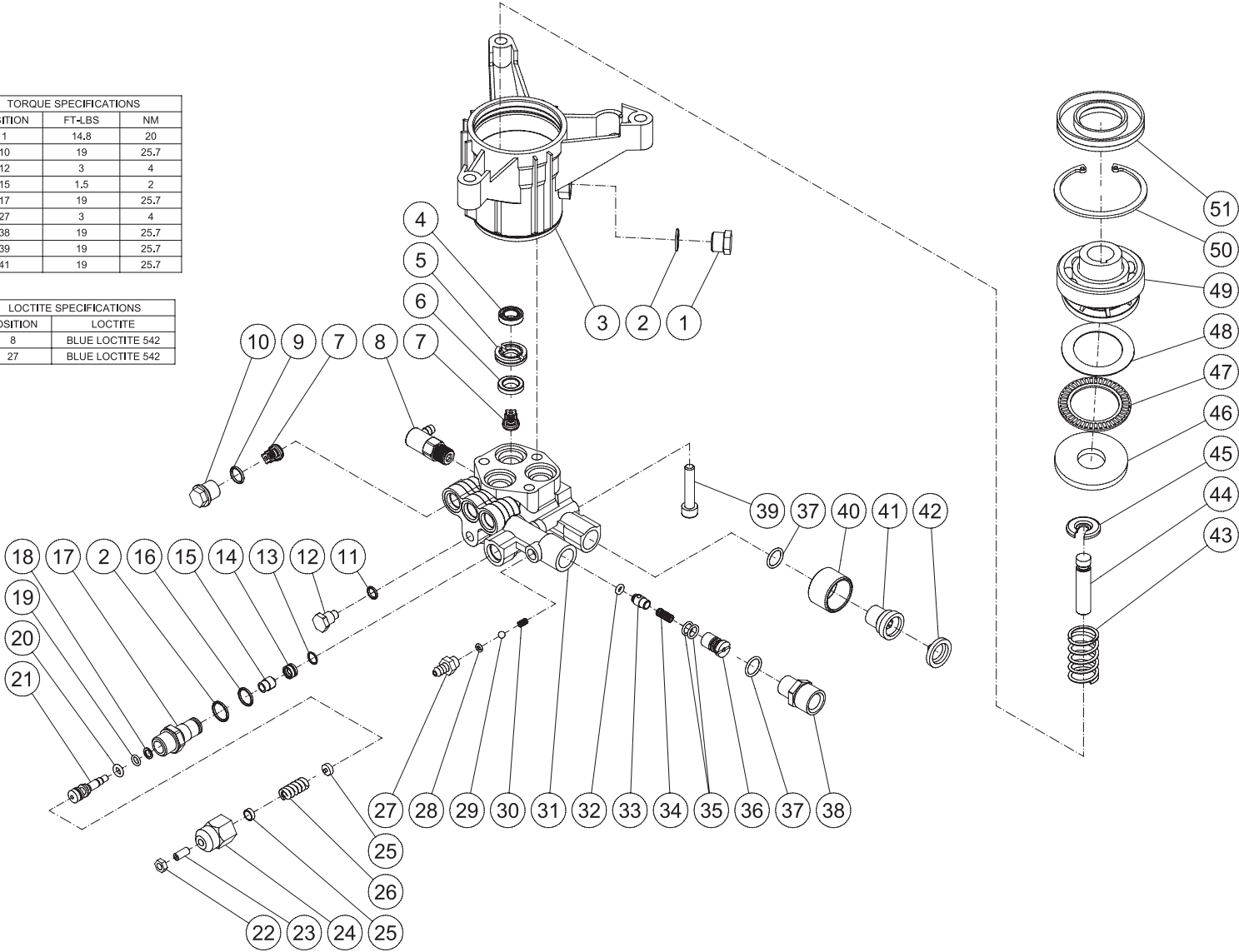
FRAME ASSEMBLY			
ITEM	DESCRIPTION	PART #	QTY
1	HIGH PRESSURE HOSE	15-0239	1
2	GUN & WAND - 4000 PSI	16-0442	1
3	DECAL - RISK OF INJECTION (SEE 71-1060)	N/A	1
4	LANCE ASSEMBLY	16-0366	1
5	DECAL- SILVER STICKER	N/A	1
6	WHEEL	14-0111	2
7	LOCKNUT	30-3161	2
8	KEY (2600-4MHC)	43-0073	1
-	KEY (2600-4MMC, 3000-4MHC)	43-0072	1
9	ENGINE SPACER (2600-4MHC)	33-0428	3
10	PUMP	3-0424	1
11	BOLT (2600-4MHC, 3000-4MHC)	27-0073	3
-	BOLT (2600-4MMC)	27-9602	3
12	WASHER	28-0002	10
13	LOCKNUT	30-0155	6
14	BOLT	27-0015	6
15	ISOLATOR	14-0069	2
16	HOSE *(ONE FOOT REQUIRED)	15-0021	1
17	DECAL-DETERGENT INS	34-3408	
18	DECAL-DETERGENT INFO	34-3407	
19	CHEMICAL TANK W/CAP	12-0261	1
20	DECAL - CHOREMASTER	N/A	1
21	FRAME	5-0356A53	1
22	ENGINE (2600-4MHC)	1-0131	1
-	ENGINE (2600-4MMC)	1-0222	1
-	ENGINE (3000-4MHC)	1-0195	1
23	LOCKNUT	30-0157	3
24	CARRIAGE BOLT	31-0054	2
25	PLUG	39-0380	2
26	DECAL - RISK OF BURNS (SEE 71-1060)	N/A	1
27	DECAL - 170CC SERIES (2600-4MMC)	34-2455	1
28	DECAL - RISK OF FIRE (SEE 71-1060)	N/A	1
29	LOCKNUT	30-0178	2
30	KNOB	7-0261	2
31	NOZZLE 15° (2600)	18-0426	1
-	NOZZLE 25° (2600)	18-0427	1
-	NOZZLE 15° (3000)	18-0438	1
-	NOZZLE 25° (3000)	18-0439	1
-	NOZZLE 65° DETERGENT (2600/3000)	18-0386	1
32	GROMMET	33-0001	3
33	DECAL - WARNING/CAUTION/OPERATION (SEE 71-1060)	N/A	1
34	DECAL - PLACARD 2600PSI	34-3385	1
-	DECAL - PLACARD 3000PSI	34-3384	1
35	HANDLE	7-0264A01	1
-	DECAL SET	71-1060	1

*MUST ORDER IN ONE FOOT LENGTHS

PUMP ASSEMBLY (3-0424)

TORQUE SPECIFICATIONS		
POSITION	FT-LBS	NM
1	14.8	20
10	19	25.7
12	3	4
15	1.5	2
17	19	25.7
27	3	4
38	19	25.7
39	19	25.7
41	19	25.7

LOCTITE SPECIFICATIONS	
POSITION	LOCTITE
8	BLUE LOCTITE 542
27	BLUE LOCTITE 542



3-0424 011516 CH

PUMP ASSEMBLY							
ITEM	DESCRIPTION	PART #	QTY	ITEM	DESCRIPTION	PART #	QTY
1	PLUG	39-0102	1	27	HOSE BARB (SEE KIT 70-0627)	SEE KIT	1
2	O-RING (SEE KIT 70-0446 OR 70-0413)	25-0510	2	28	O-RING (SEE KIT 70-0446 OR 70-0413)	25-0371	1
3	CRANKCASE	N/A	1	29	BALL (SEE KIT 70-0627)	8-0521	1
4	OIL SEAL (SEE KIT 70-0411)	SEE KIT	3	30	SPRING (SEE KIT 70-0627)	8-0520	1
5	PACKING RETAINER	46-1177	3	31	PUMP HEAD	46-1258	1
6	WATER SEAL (SEE KIT 70-0464)	46-1259	3	32	O-RING (SEE KIT 70-0413 OR 70-0560)	25-0406	1
7	VALVE COMPLETE (SEE KIT 70-0556)	SEE KIT	6	33	VALVE (SEE KIT 70-0560)	46-1422	1
8	THERMAL RELIEF VALVE	22-0408	1	34	SPRING (SEE KIT 70-0560)	49-0124	1
9	O-RING	25-0673	3	35	O-RING (SEE KIT 70-0413 OR 70-0560)	25-0343	2
10	VALVE CAP	39-0253	3	36	INJECTOR (SEE KIT 70-0560)	46-1423	1
11	O-RING	25-0382	1	37	O-RING (SEE KIT 70-0413)	25-0536	2
12	GRUB SCREW	27-9599	1	38	OUTLET FITTING	46-1255	1
13	O-RING (SEE KIT 70-0446 OR 70-0413)	25-0500	1	39	BOLT	27-9590	3
14	SEAT (SEE KIT 70-0446)	8-0570	1	40	FITTING	46-1178	1
15	POPPET (SEE KIT 70-0446)	8-0569	1	41	INLET FITTING	46-1256	1
16	O-RING (SEE KIT 70-0446 OR 70-0413)	25-0387	1	42	FILTER	19-0001	1
17	PISTON GUIDE (SEE KIT 70-0446)	8-0566	1	43	SPRING	49-0160	3
18	O-RING (SEE KIT 70-0446)	25-0589	1	44	PISTON (SEE KIT 70-0410)	SEE KIT	3
19	O-RING (SEE KIT 70-0446 OR 70-0413)	SEE KIT	1	45	SPRING RETAINER	46-1183	3
20	O-RING (SEE KIT 70-0446 OR 70-0413)	25-0526	1	46	THRUST WASHER	46-0876	1
21	PISTON (SEE KIT 70-0446)	8-0565	1	47	BEARING	48-0057	1
22	NUT (SEE KIT 70-0446)	30-6024	1	48	THRUST WASHER	48-0056	1
23	SET SCREW (SEE KIT 70-0446)	27-9587	1	49	WOBBLE PLATE ASSEMBLY	46-1621	1
24	ADJUSTMENT BARREL (SEE KIT 70-0446)	8-0564	1	50	SNAP RING	46-1185	1
25	SPRING BUTTON (SEE KIT 70-0446)	8-0501	2	51	OIL SEAL (SEE KIT 70-0411)	26-0290	1
26	SPRING (SEE KIT 70-0446)	49-0157	1				

REPLACEMENT KITS				
KIT #	DESCRIPTION	ITEMS	# OF ASSEMBLIES	# OF CYLINDERS
70-0410	KIT - PISTONS	44	3	3
70-0411	KIT - OIL SEALS	4, 51	3, 1	-
70-0413	KIT - O-RINGS	19-20, 2, 16, 15, 28, 32, 35, 37, 11	1, 2, 1, 1, 1, 1, 2, 2, 1	-
70-0446	KIT - UNLOADER	22-24, 25, 13-21, 26, 2	1, 2, 1, 1, 1	-
70-0464	KIT - WATER SEALS	6	3	3
70-0556	KIT - VALVES	7	6	3
70-0560	KIT - SHUTTER VALVE	32-34, 35, 36	1, 2, 1	-
70-0627	KIT - CHEMICAL INJECTOR	27-30	1	-

Manufactured by Mi-T-M
50 Mi-T-M Drive, Peosta IA 52068
563-556-7484/ Fax 563-556-1235