



***Performance Under Pressure***

PARTS LIST FOR  
***CW-4003-3MGH/V (AFTER SERIAL #10070000)***  
***CW-4003-3MGR***

Engine Oil Grade:	Honda / Subaru:	SAE 10W-30
	Vanguard:	Above 40°F=SAE30
		Below 40°F=SAE10W-30
Engine Oil Capacity:	Honda:	37 oz.
	Subaru:	40.5 oz.
	Vanguard:	50 oz.
Pump Oil Grade:		Mi-T-M Pump Oil #AW-4085-0016
Pump Oil Capacity:		40.6 oz.
Nozzle Size:		3.0

This Parts Listing has been compiled for your benefit. You can be assured your Mi-T-M Cold Water Pressure Washer was constructed and designed with quality and performance in mind using over 25 years experience in the pressure washer business. Each component has been rigorously tested to insure the highest level of acceptance.

The contents of this Parts Listing are based on the latest product information available at the time of publication. Mi-T-M reserves the right to make changes in price, color, materials, equipment, specifications or models at any time without notice.

### **WARNING**

THIS IS A PROFESSIONAL HIGH PRESSURE, COLD WATER PRESSURE WASHER. CAUTION SHOULD BE OBSERVED WHEN USING OR REPAIRING THIS UNIT! READ AND FOLLOW THE SAFETY WARNINGS LISTED BELOW BEFORE ATTEMPTING ANY REPAIRS ON THIS PRESSURE WASHER!

### **SAFETY WARNINGS**

1. NEVER alter or modify the equipment. Be sure any accessory items and system components being used will withstand the pressure developed. Use only genuine Mi-T-M parts for repair of your pressure washer. Failure to do so can cause hazardous operating conditions and will VOID warranty.
2. NEVER make adjustments on machinery while the unit is connected to the engine without first removing the ignition cables from the spark plugs. Turning over the machinery by hand during adjustment or cleaning might start the machinery, causing serious injury to the operator.
3. Know how to stop and bleed pressures quickly. Be thoroughly familiar with controls.
4. Before servicing the unit, turn unit off, relieve the water pressure and allow the unit to cool down. Do not make repairs while the unit is running. Service in a clean, dry, flat area.
5. After testing the machine, DO NOT leave the pressurized unit unattended. Shut off the unit and release trapped pressure before leaving.

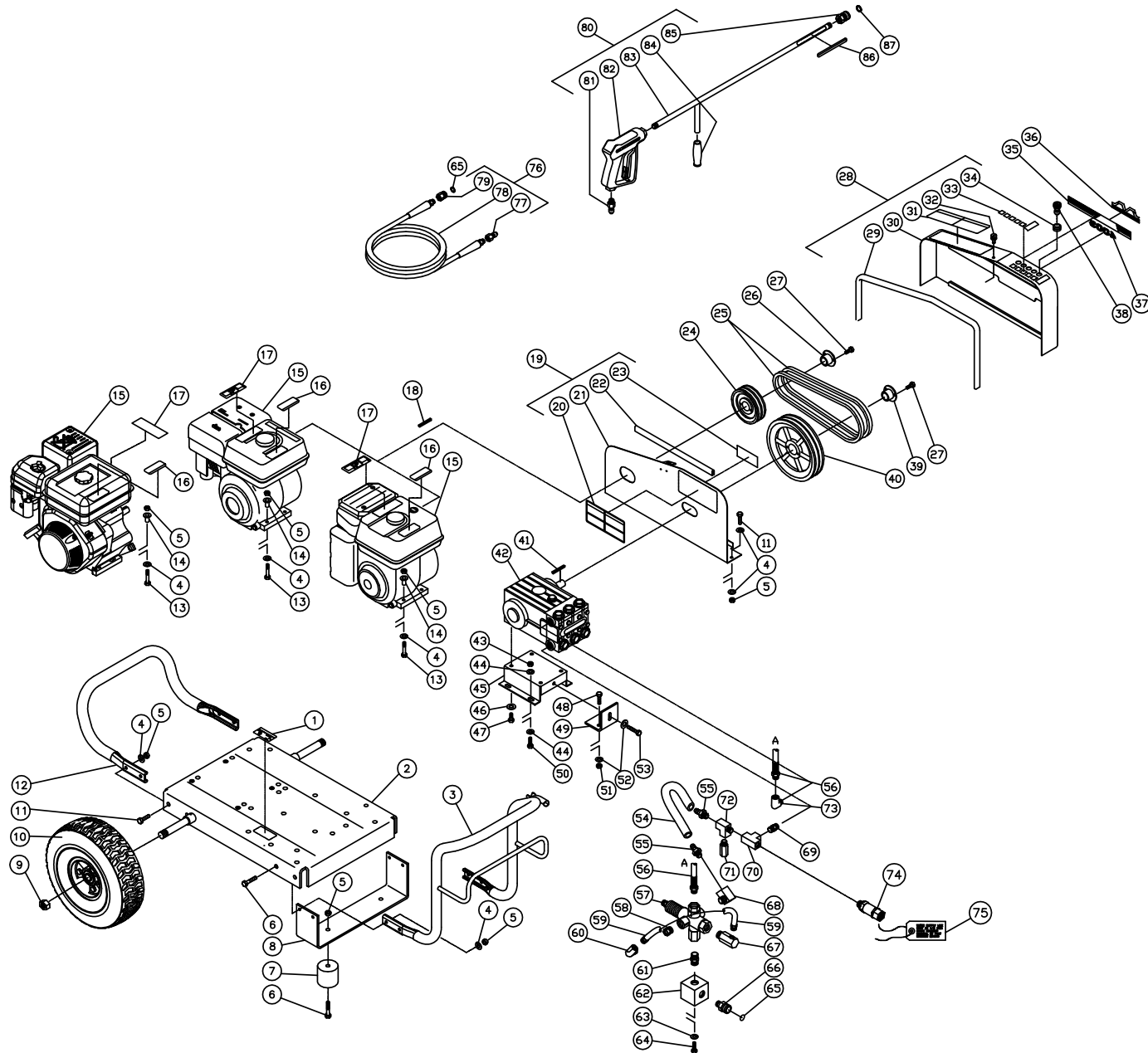
## **Table of Contents**

<b>SPECIFICATIONS</b> .....	<b>3</b>
<b>FRAME ASSEMBLY FOR CW-4003-3MGH/3MGV (AFTER SERIAL #10070000) &amp; CW-4003-3MGR</b> .....	<b>4</b>
<b>PUMP ASSEMBLY (3-0075)</b> .....	<b>6</b>
<b>UNLOADER ASSEMBLY (8-0270)</b> .....	<b>8</b>
<b>GUN ASSEMBLY (16-0001)</b> .....	<b>10</b>

## SPECIFICATIONS

MODEL NUMBER	CW-4003-3MGH	CW-4003-3MGR	CW-4003-3MGV
<b>Operating Pressure (PSI/Bar):</b>	4000/275.8		
<b>High Pressure Nozzle:</b>	3.0		
<b>Water Volume (GPM/lpm):</b>	3.0/11.3		
<b>Engine:</b>	Honda	Subaru	Briggs & Stratton Vanguard
Horsepower	13.0	13.5	13.0
Engine Type	4 Stroke, Overhead Valve, Single Cylinder		
Oil Type	SAE10W-30		Above 40°F = SAE30 Below 40°F = SAE10W-30
Oil Capacity (oz./liter)	37/1.1	40.5/1.2	50/1.5
Low Oil Protection	Oil Alert™	Oil Sensor	Oil Guard™
Fuel Type	Unleaded Gasoline 86 Octane Minimum		
Fuel Capacity (gal./liter)	1.7/6.5	1.85/7.0	2.0/7.9
Starting	Recoil		
Maximum No Load RPM	3600 (+/- 100) RPM		
<b>Pump:</b>	Direct Driven, Oil Bath, Triplex Piston		
Oil Type	Mi-T-M Pump Oil #AW-4085-0016		
Oil Capacity (oz./liters)	40.6/1.2		
Plungers	Ceramic Coated		
Manifold	Forged Brass		
Valves	Stainless Steel		
Unloader	Preset		
Heat Dump Valve	Relieves heated water during unloader bypass stage		
<b>Unit Net Weight (lbs/Kg)</b>	215.5/97.5		217.5/98.5
<b>Unit Shipping Weight (lbs/Kg)</b>	291/132		293/133
<b>Unit Net Dimension (cm)</b>	46Lx28Wx30H/117Lx71Wx76H		
<b>Unit Shipping Dimension (cm)</b>	48.5Lx30.5Wx35.5H/123Lx77.5Wx90H		

# FRAME ASSEMBLY FOR CW-4003-3MGH/3MGV (AFTER SERIAL #10070000) & CW-4003-3MGR

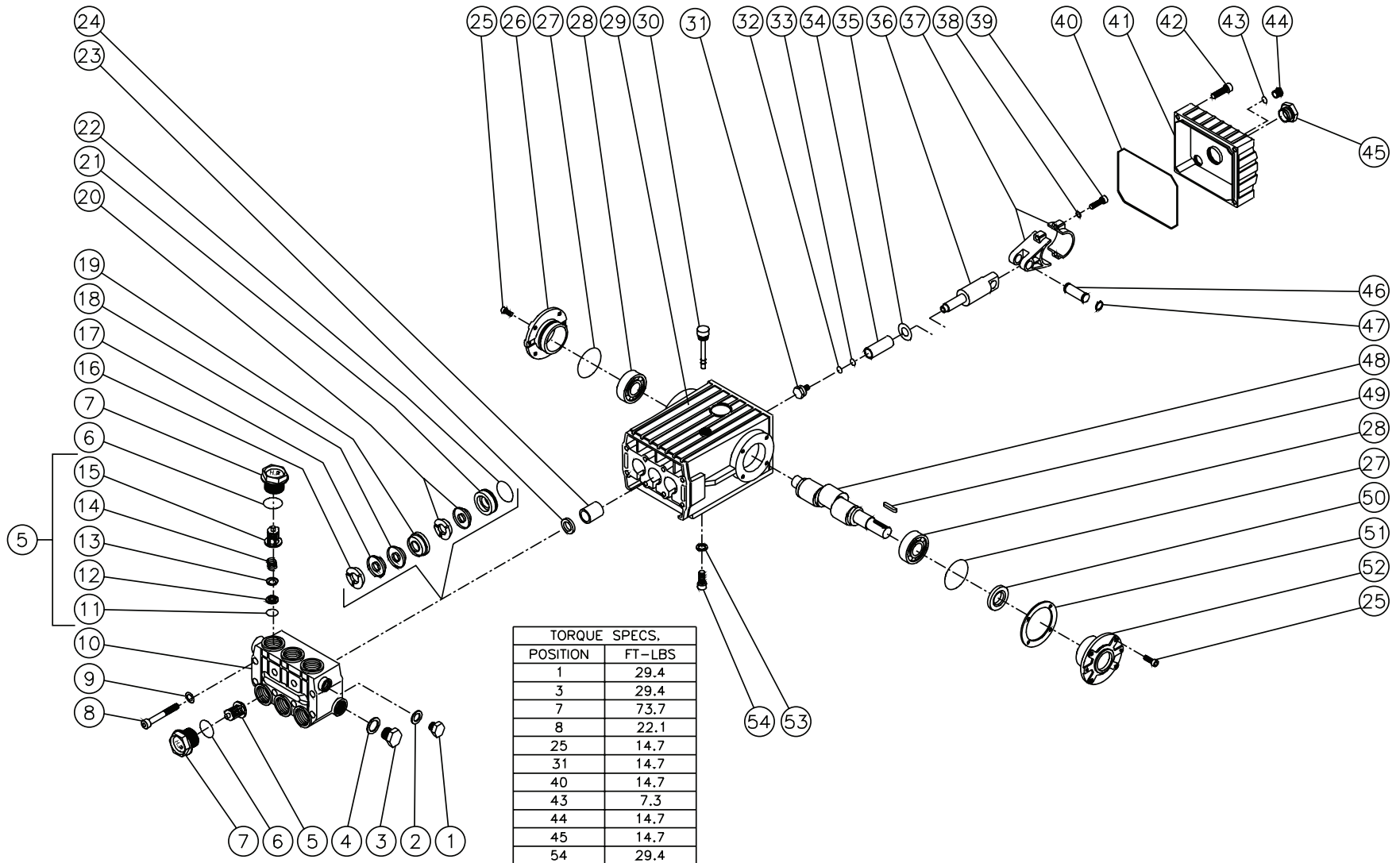


CW-4003-3MGH\_R\_V-010705-JJF

FRAME ASSEMBLY FOR CW-4003-3MGH/3MGV (AFTER SERIAL #1007000) & CW-4003-3MGR											
REF. #	DESCRIPTION	PART #	QTY.	REF. #	DESCRIPTION	PART #	QTY.	REF. #	DESCRIPTION	PART #	QTY.
1	Decal- Data Plate	N/A	1	30	Beltguard Cover (See 851-0348)	N/A Sep.	1	58	Hex Reducer	23-0056	1
2	Base Plate	5-0078A42	1	31	Decal- Operating Instructions (See 34-9017)	N/A Sep.	1	59	Hose	15-0140	1
3	Handle- Front	7-0174A42	1	32	Fastener	33-0197	1	60	Elbow	23-0237	1
4	Washer	28-0003	20	33	Decal- Die Cut Nozzles	34-0500	1	61	Hex Nipple	24-0031	1
5	Locknut	30-0157	18	34	Grommet	33-0001	5	62	Manifold Block	51-0012	1
6	Bolt	27-0068	6	35	Decal- Mi-T-M Stripe	34-0501	1	63	Washer	29-0008	2
7	Isolator	14-0008	2	36	Decal- Mi-T-M Logo	62-0086	1	64	Bolt	27-0116	2
8	Underbracket	13-0137A42	1	37	Decal- Die Cut 4003	34-0692	1	65	O-ring (Replacement Only)	25-0123	-
9	Jamnut	30-0117	2	38	Spray Nozzle- 0003	18-0302	1	66	Quick Connect Socket	17-0029	1
10	Wheel	14-0092	2	-	Spray Nozzle- 1503	18-0150	1	67	Easy Start Valve	22-0146	1
11	Bolt	27-0067	8	-	Spray Nozzle- 2503	18-0303	1	68	Elbow	23-0035	1
12	Handle- Rear	7-0175A42	1	-	Spray Nozzle- 4003	18-0304	1	69	Hex Nipple	23-0012	1
13	Bolt	27-0070	4	39	Bushing	9-0017	1	70	Tee	23-0043	1
14	Shim	33-0169	4	40	Sheave	10-0040	1	71	Heat Dump Valve	22-0005	1
15	Engine 13.0 HP Honda (CWC-4003-3MGH)	1-0086	1	41	Key	43-0028	1	72	Tee	23-0124	1
-	Engine 13.0 HP Vanguard (CWC-4003-3MGV)	1-0090	1	42	Pump	3-0075	1	73	Elbow	24-0105	1
-	Engine 13.5 HP Subaru (CWC-4003-3MGR)	1-0156	1	43	Locknut	30-0161	4	74	Filter Assembly	19-0206	1
16	Decal- Caution: Allow to Cool (See 34-9017)	N/A Sep.	1	44	Washer	28-0030	8	75	Tag-Water Supply Inlet	34-0097	1
17	Decal- Warning: Muffler Hot (See 34-9017)	N/A Sep.	1	45	Pump Bracket	5-0101A01	1	76	High Pressure Hose Assy. (Includes 77-79)	851-0006	1
18	Key	43-0078	1	46	Washer	29-0055	4	77	Quick Connect Plug	17-0006	1
19	Beltguard Back Assy. (Inc. 20-23)	851-0349	1	47	Bolt	27-8471	4	78	High Pressure Hose	15-0004	1
20	Decal- Warning/Caution (See 34-9017)	N/A Sep.	1	48	Bolt	27-0118	2	79	Quick Connect Socket	17-0004	1
21	Beltguard Back (See 851-0349)	N/A Sep.	1	49	Brace Tightener	13-0003A01	1	80	Gun/Wand Assembly (Includes 81-85)	851-0095	1
22	Edging *(Two Feet Required)	33-0020	1	50	Bolt	27-0166	4	81	Quick Connect Plug	17-0005	1
23	Decal- Beltguard Cover (See 34-9017)	N/A Sep.	1	51	Locknut	30-0159	2	82	Gun	16-0001	1
24	Sheave	10-0030	1	52	Washer	28-0023	3	83	Wand	16-0120A01	1
25	Belt	11-0035	2	53	Bolt	27-0576	1	84	Handle Grip	7-0002	1
26	Bushing	9-0005	1	54	By-pass Hose	15-0022	1	85	Quick Connect Socket	17-0001	1
27	Bolt	27-0015	1	55	Hose Barb	23-0005	2	86	Decal- Warning: Risk of Injection (See 34-9017)	N/A Sep.	1
28	Beltguard Cover Assembly (Inc. 29-34)	851-0348	1	56	Hose	15-0024	1	87	O-ring (Replacement Only)	25-0122	-
29	Edging *(Four Feet Required)	33-0020	1	57	Unloader	8-0270	1		Safety Decal Kit (Inc. 16, 17, 20, 23, 31, 86)	34-9017	

\*Must Order in One Foot Lengths

# PUMP ASSEMBLY (3-0075)

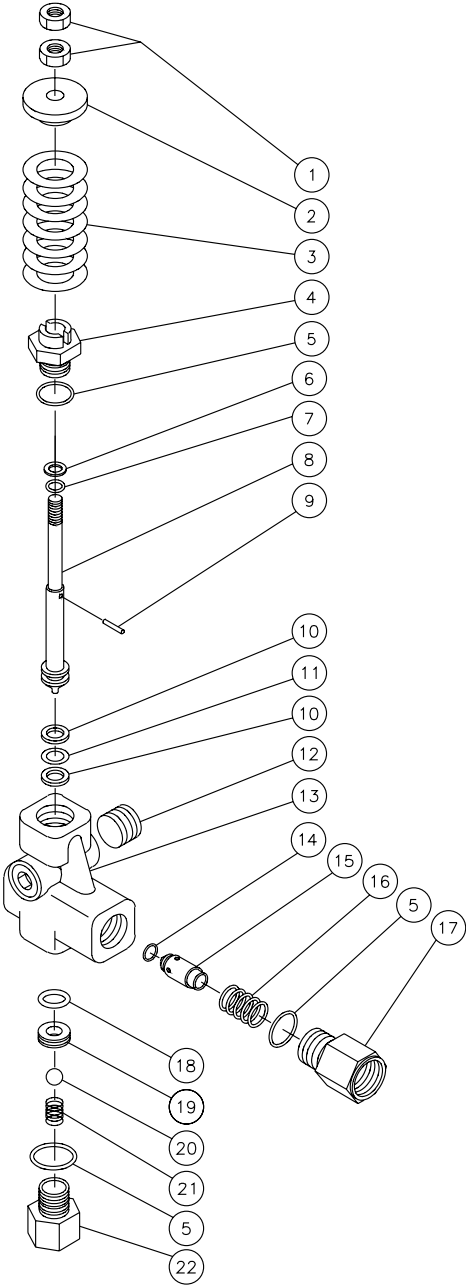


3-0075-102899-RD

## PUMP ASSEMBLY (3-0075)

REF. #	DESCRIPTION	PART #	QTY.	REF. #	DESCRIPTION	PART #	QTY.	REF. #	DESCRIPTION	PART #	QTY.
1	Plug	39-0018	1	21	Low Pressure Seal Retainer	46-0286	3	41	Crankcase Cover	46-0295	1
2	Washer	28-1002	1	22	O-ring	25-0015	3	42	Bolt	27-8404	5
3	Plug	39-0019	1	23	Oil Seal	26-0047	3	43	O-ring	25-0014	1
4	Washer	28-1038	1	24	Bushing	9-0029	3	44	Plug	39-0017	1
5	Valve Assembly (Inc. 11-15) (See 70-0009)	N/A Sep.	6	25	Bolt	27-8431	8	45	Oil Level Indicator	46-0114	1
6	O-ring	25-0012	6	26	Crankcase Cover	46-0336	1	46	Connecting Rod Pin	43-0032	3
7	Valve Plug	46-0282	6	27	O-ring	25-0013	2	47	Retaining Ring	46-0103	6
8	Bolt	27-8185	8	28	Bearing	48-0012	2	48	Crankshaft	46-0050	1
9	Flatwasher	28-1039	8	29	Crankcase	46-0292	1	49	Key	43-0048	1
10	Manifold	46-0291	1	30	Oil Dip Stick	46-0144	1	50	Oil Seal	26-0049	1
11	O-ring (See 70-0009)	N/A Sep.	6	31	Bolt	46-0285	3	51	Shim	46-0113	1
12	Valve Seat (See 70-0009)	N/A Sep.	6	32	O-ring	25-0138	3	52	Crankcase Open Cover	46-0296	1
13	Valve Plate (See 70-0009)	N/A Sep.	6	33	Back-up Ring	25-0137	3	53	Lockwasher	29-0055	4
14	Valve Spring (See 70-0009)	N/A Sep.	6	34	Plunger	46-0337	3	54	Bolt	27-8471	4
15	Valve Cage (See 70-0009)	N/A Sep.	6	35	Washer	46-0283	3		Valve Assembly (6 each 5, 11-15)	70-0009	
16	High Pressure Head Ring (See 70-0031)	N/A Sep.	3	36	Piston Rod	46-0294	3		Head Ring Kit (3 each 16)	70-0031	
17	High Pressure V-Packing(See 70-0042)	N/A Sep.	3	37	Connecting Rod	46-0051	3		V-Packing Kit (3 each 17, 18, 20)	70-0042	
18	V-Packing Support (See 70-0042)	N/A Sep.	3	38	Lockwasher	29-0154	6		V-Packing Assembly (3 each 16-20, 22)	852-0064	
19	High Pressure Intermediate Seal Retainer	46-0289	3	39	Bolt	27-8435	6				
20	Low Pressure Seal (See 70-0042)	N/A Sep.	3	40	O-ring Cover	25-0339	1				

# UNLOADER ASSEMBLY (8-0270)

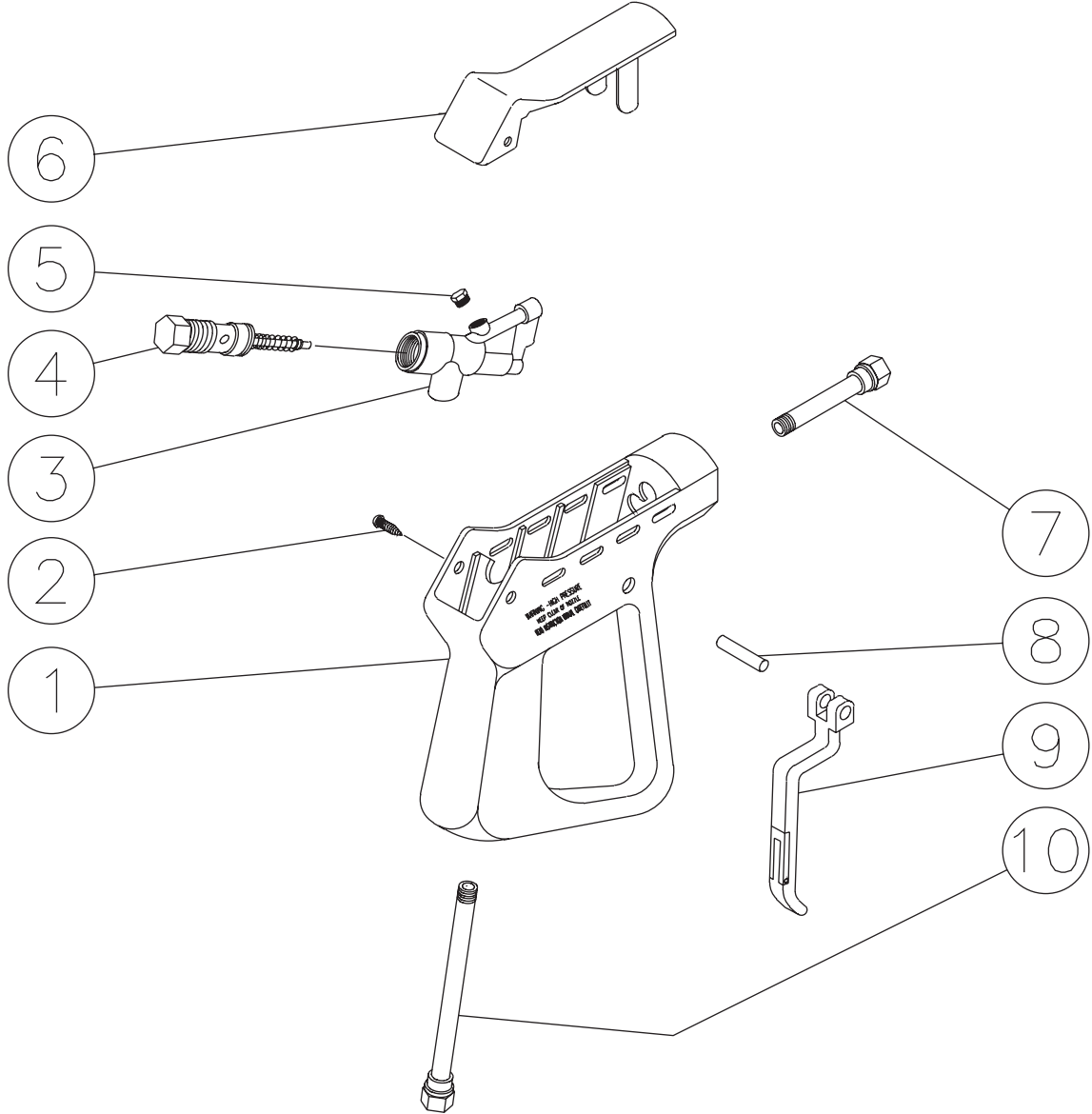


OMGEN043-083094-BAR



<b>UNLOADER ASSEMBLY (8-0270)</b>			
<b>REF. #</b>	<b>DESCRIPTION</b>	<b>PART #</b>	<b>QTY.</b>
1	Hex Nut	30-7203	2
2	Spring Guide	8-0278	1
3	Spring	49-0111	1
4	Piston Housing	8-0279	1
5	O-ring	25-0189	3
6	Back-up Ring	8-0277	1
7	O-ring	25-0192	1
8	Piston	8-0280	1
9	Pin	43-0059	1
10	Back-up Ring	8-0276	2
11	O-ring	25-0191	1
12	Plug	39-0055	2
13	Valve Housing	8-0275	1
14	O-ring	25-0193	1
15	Check Valve	22-0127	1
16	Spring	49-0058	1
17	Outlet Connection	8-0271	1
18	O-ring	25-0190	1
19	Seat	8-0272	1
20	Ball	8-0273	1
21	Spring	49-0059	1
22	Inlet Connection	8-0274	1
	Unloader Kit (5-7, 10, 11, 14, 18-20)	70-0107	1

# GUN ASSEMBLY (16-0001)



16-0001-110399-RD

<b>GUN ASSEMBLY (16-0001)</b>			
<b>REF. #</b>	<b>DESCRIPTION</b>	<b>PART #</b>	<b>QTY.</b>
1	Plastic Housing	16-0008	1
2	Screw	27-3230	2
3	Brass Housing	16-0012	1
4	Gun Repair Kit	70-0055	1
5	Brass Plug	39-0024	1
6	Plastic Cover	16-0009	1
7	Pipe Assembly	16-0013	1
8	Trigger Pin	16-0063	1
9	Trigger/Safety Lock-off	16-0010	1
10	Pipe Assembly- Inlet	16-0016	1
	Complete Gun Assembly	16-0001	1

Manufactured by Mi-T-M  
8650 Enterprise Drive, Peosta IA 52068  
563-556-7484/ Fax 563-556-1235