



Performance Under Pressure

THE JOB PRO®

**PARTS LIST FOR
JP-2403-0MHB/RB/VB
(AFTER SERIAL #10173072)**

ENGINE OIL GRADE:	
HONDA AND SUBARU:	SAE10W-30
VANGUARD:	Above 40°F=SAE30 / Below 40°F=SAE10W-30
ENGINE OIL CAPACITY:	
HONDA AND SUBARU:	20 oz.
VANGUARD:	24 oz.
PUMP OIL GRADE:	Mi-T-M PUMP OIL #AW-4085-0016
PUMP OIL CAPACITY:	14 oz.
NOZZLE SIZE:	3.0

This Parts Listing has been compiled for your benefit. You can be assured your Mi-T-M Cold Water Pressure Washer was constructed and designed with quality and performance in mind using over 25 years experience in the pressure washer business. Each component has been rigorously tested to insure the highest level of acceptance.

The contents of this Parts Listing are based on the latest product information available at the time of publication. Mi-T-M reserves the right to make changes in price, color, materials, equipment, specifications or models at any time without notice.

WARNING

THIS IS A PROFESSIONAL HIGH PRESSURE, COLD WATER PRESSURE WASHER. CAUTION SHOULD BE OBSERVED WHEN USING OR REPAIRING THIS UNIT! READ AND FOLLOW THE SAFETY WARNINGS LISTED BELOW BEFORE ATTEMPTING ANY REPAIRS ON THIS PRESSURE WASHER!

SAFETY WARNINGS

1. NEVER alter or modify the equipment. Be sure any accessory items and system components being used will withstand the pressure developed. Use only genuine Mi-T-M parts for repair of your pressure washer. Failure to do so can cause hazardous operating conditions and will VOID warranty.
2. NEVER make adjustments on machinery while the unit is connected to the engine without first removing the ignition cable from the spark plug. Turning over the machinery by hand during adjustment or cleaning might start the engine and machinery with it, causing serious injury to the operator.
3. Know how to stop and bleed pressures quickly. Be thoroughly familiar with controls.
4. Before servicing the unit, turn unit off, relieve the water pressure and allow the unit to cool down. Do not make repairs while the unit is running. Service in a clean, dry, flat area. Block the wheels to prevent the unit from moving. Be especially careful to properly dispose of any flammable materials.
5. After testing the machine, DO NOT leave the pressurized unit unattended. Shut off the unit and release trapped pressure before leaving.

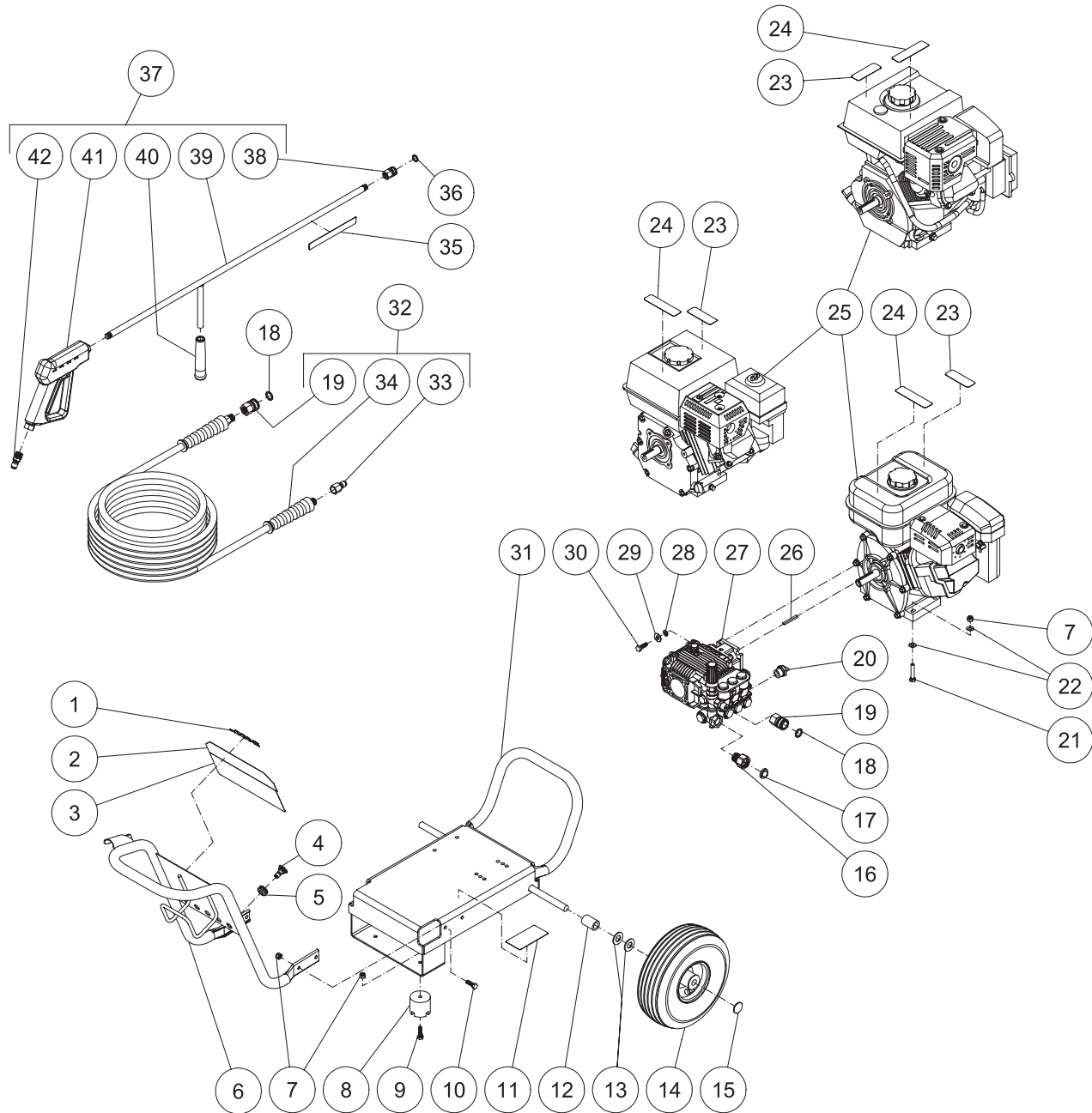
Table of Contents

SPECIFICATIONS	3
FRAME ASSEMBLY FOR JP-2403-0MHB/RB/VB (AFTER SERIAL #10173072)	4
PUMP ASSEMBLY (3-0269)	6
UNLOADER ASSEMBLY (8-0546)	8
GUN ASSEMBLY (16-0001)	10

SPECIFICATIONS

MODEL NUMBER	JP-2403-0MHB	JP-2403-0MRB	JP-2403-0MVB
Operating Pressure (PSI/Bar):	2400/165.5		
High Pressure Nozzle:	3.0		
Water Volume (GPM/lpm):	2.4/9		
Engine:	Honda	Subaru	Vanguard
Horsepower	5.5	6.0	6.0
Engine Type	4 Stroke, Overhead Valve, Single Cylinder		
Oil Type	SAE10W-30		Above 40°F=SAE30 Below 40°F=SAE10W-30
Oil Capacity (oz./liters)	20/6		24/7
Low Oil Protection	Oil Alert™	Low Oil Shutdown	Oil Guard™
Fuel Type	Unleaded Gasoline 86 Octane Minimum		
Fuel Capacity (gallon/ liters)	.95/3.6		1.05/3.97
Starting	Recoil		
Maximum No Load RPM	3600 (+/- 100) RPM		
Pump:	Direct Driven, Oil Bath, Triplex Piston		
Oil Type	Mi-T-M Pump Oil #AW-4085-0016		
Oil Capacity (oz./liters)	14/4		
Plungers	Ceramic		
Manifold	Forged Brass		
Valves	Stainless Steel		
Unloader	Adjustable		
Thermal Relief Valve	Relieves heated water during unloader bypass stage		
Unit Net Weight (lbs/Kg)	75/34		
Unit Shipping Weight (lbs/Kg)	87/39.5		
Unit Net Dimension (in/cm)	30Lx21Wx26H/76Lx53.5Wx66H		
Unit Shipping Dimension (in/cm)	30.5Lx21.5Wx26.5H/77.5Lx54.5Wx67H		

FRAME ASSEMBLY FOR JP-2403-0MHB/RB/VB (AFTER SERIAL #10173072)

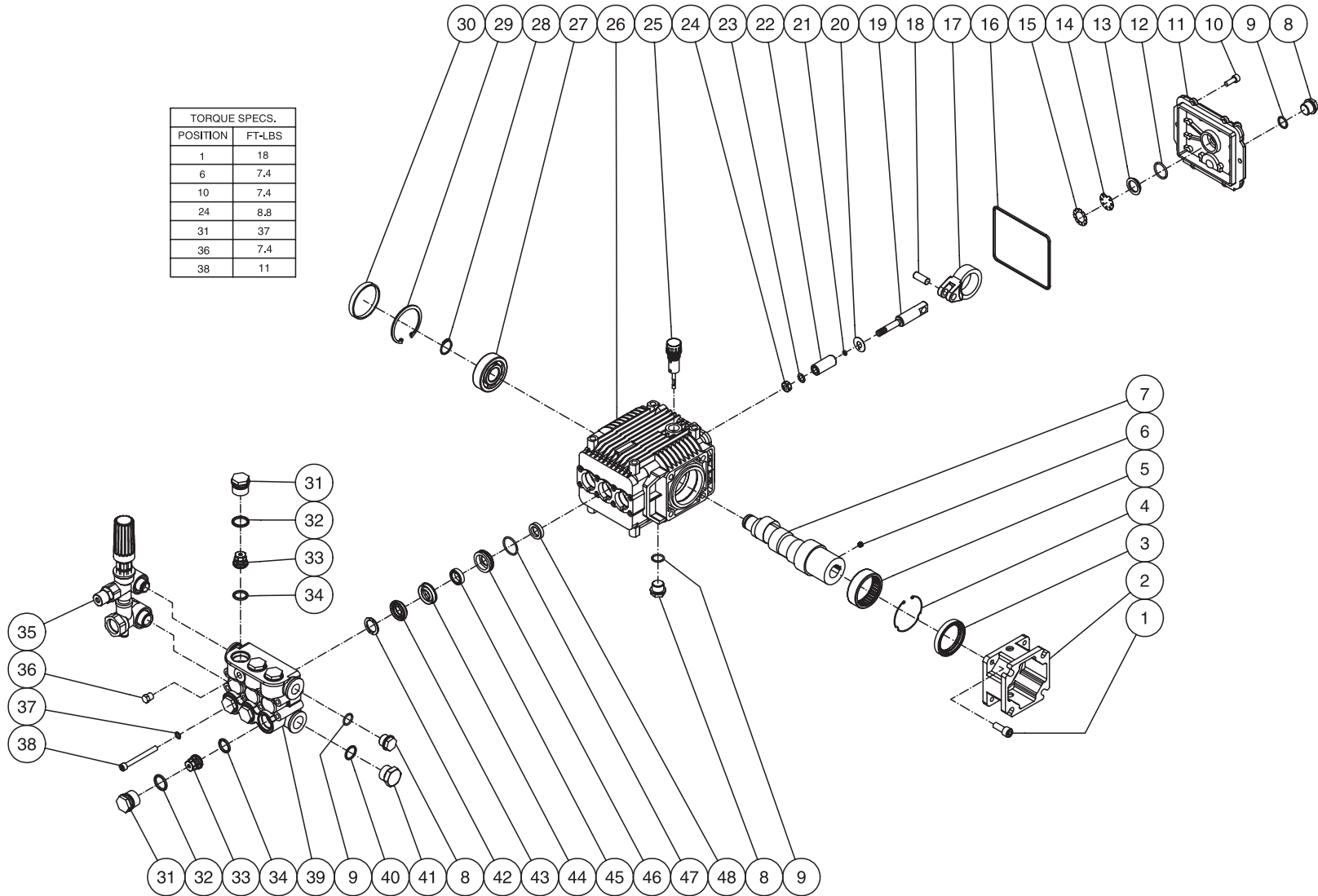


JP-2403-0MHB/RB/VB-041706-JJT

FRAME ASSEMBLY FOR JP-2403-0MHB_R_V							
REF. #	DESCRIPTION	PART #	QTY.	REF. #	DESCRIPTION	PART #	QTY.
1	Decal- Die Cut 2000	34-0772	1	23	Decal- Caution: Risk of Fire(See 34-9014)	N/A Sep.	1
2	Decal- Job Pro Placard	34-0778	1	24	Decal- Warning: Risk of Burns (See 34-9014)	N/A Sep.	1
3	Decal- Warning/Caution/Operation (See 34-9014)	N/A Sep.	1	25	Engine- 5.5 H.P. Honda	1-0013	1
4	Nozzle- 00003	18-0302	1	-	Engine- 6.0 H.P. Subaru	1-0132	1
-	Nozzle- 1503	18-0150	1	-	Engine- 6.0 H.P. Vanguard	1-0069	1
-	Nozzle- 2503	18-0303	1	26	Key	43-0073	1
5	Grommet	33-0001	5	27	Pump	3-0269	1
6	Front Handle Assy	7-0194A01	1	28	Lockwasher	29-0007	4
7	Locknut	30-0157	10	29	Washer	28-0022	4
8	Isolator	14-0008	2	30	Bolt	27-0092	4
9	Bolt	27-0068	2	31	Small JP Frame	5-0253A01	1
10	Bolt	27-0067	4	32	Hose Assembly	851-0007	1
11	Decal- Data Plate	N/A	1	33	Fitting	17-0006	1
12	Axle Spacer	62-0176	2	34	Hose	15-0003	1
13	Washer	28-0008	4	35	Decal- Warning: Risk of Injection (See 34-9014)	N/A Sep.	1
14	Wheel	14-0017	2	36	O-ring (Replacement Only)	25-0122	-
15	Hubcap	33-0018	2	37	Gun/Wand Assembly	851-0095	1
16	Garden Hose- Swivel	23-0095	1	38	Fitting	17-0001	1
17	Filter	19-0001	1	39	Wand	16-0418	1
18	O-ring (Replacement Only)	25-0123	-	40	Rubber Grip	7-0002	1
19	Fitting	17-0004	1	41	Gun	16-0001	1
20	Thermal Relief Valve	22-0114	1	42	Fitting	17-0005	1
21	Bolt	27-0070	4		Safety Decal Kit (Inc. 3, 9, 22-23, 35)	34-9014	
22	Washer	28-0003	8	*Must Order in One Foot Lengths			

PUMP ASSEMBLY (3-0269)

TORQUE SPECS.	
POSITION	FT-LBS
1	18
6	7.4
10	7.4
24	8.8
31	37
36	7.4
38	11

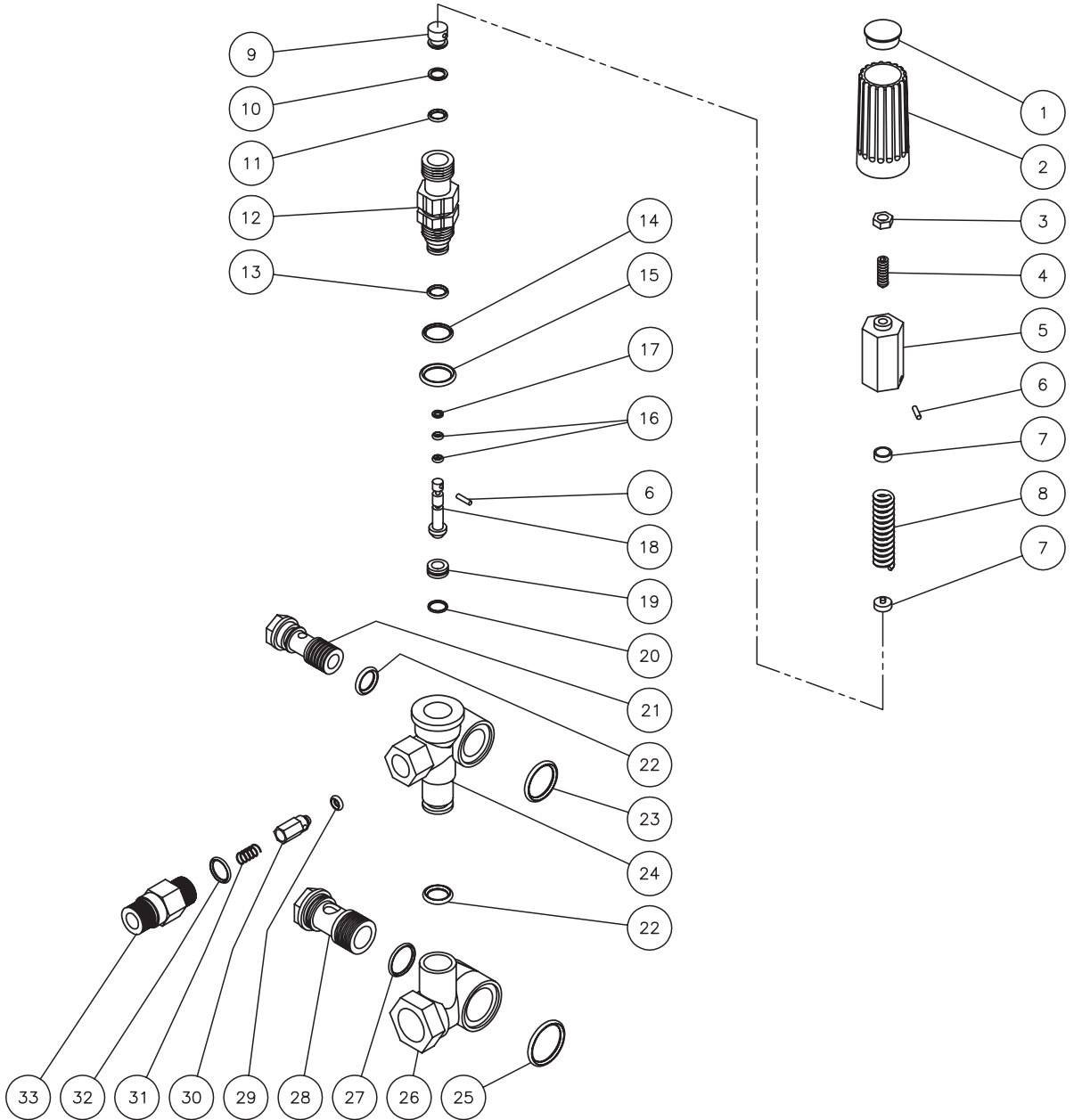


3-0269-103105-JJT

PUMP ASSEMBLY (3-0269)

REF. #	DESCRIPTION	PART #	QTY.	REF. #	DESCRIPTION	PART #	QTY.	REF. #	DESCRIPTION	PART #	QTY.
1	Screw	27-8432	4	18	Piston Pin	46-0721	3	35	Unloader Assembly	8-0546	1
2	Pump Flange	46-0715	1	19	Plunger Rod	46-0722	3	36	Plug	39-0097	1
3	Oil Seal	26-0192	1	20	Washer	28-1027	3	37	Lockwasher	29-0153	8
4	Retaining Ring	46-0667	1	21	O-ring	25-0371	3	38	Screw	27-8875	8
5	Bearing	48-0059	1	22	Piston	46-0723	3	39	Manifold	46-0730	1
6	Screw	27-8886	1	23	Washer / Gasket	26-0187	3	40	O-ring	25-0372	1
7	Crankshaft	46-0718	1	24	Nut	30-6016	3	41	Plug	39-0088	1
8	Plug	39-0086	3	25	Oil Dipstick	39-0090	1	42	Support Ring (See 70-0182)	N/A Sep.	3
9	O-ring	25-0325	3	26	Pump Crankcase	46-0724	1	43	V-Packing (See 70-0181)	N/A Sep.	3
10	Screw	27-8888	6	27	Bearing	48-0063	1	44	Packing Retainer	46-0728	3
11	Pump	46-0719	1	28	Snap Ring - External	46-0732	1	45	Low Pressure Seal	46-0727	3
12	O-ring	25-0370	1	29	Snap Ring - Internal	46-0676	1	46	Low Pressure Retainer	46-0726	3
13	Oil Sight Glass	46-0670	1	30	Bearing Cap	46-0725	1	47	O-ring	25-0399	3
14	Oil Reflector	46-0824	1	31	Valve Cap	39-0087	6	48	Oil Seal	26-0193	3
15	Spring Retainer	46-0671	1	32	O-ring	25-0160	6		High Pressure Seals Kit (Inc. 3 each 43, 45, 47)	70-0181	
16	O-ring	25-0398	1	33	Single Valve Assembly (See 70-0161)	N/A Sep.	6		Support Ring Kit (Inc. 3 each 42)	70-0182	
17	Connecting Rod	46-0720	3	34	O-ring	25-0386	6		Valve Kit (Inc. 6 each 33-34)	70-0161	

UNLOADER ASSEMBLY (8-0546)

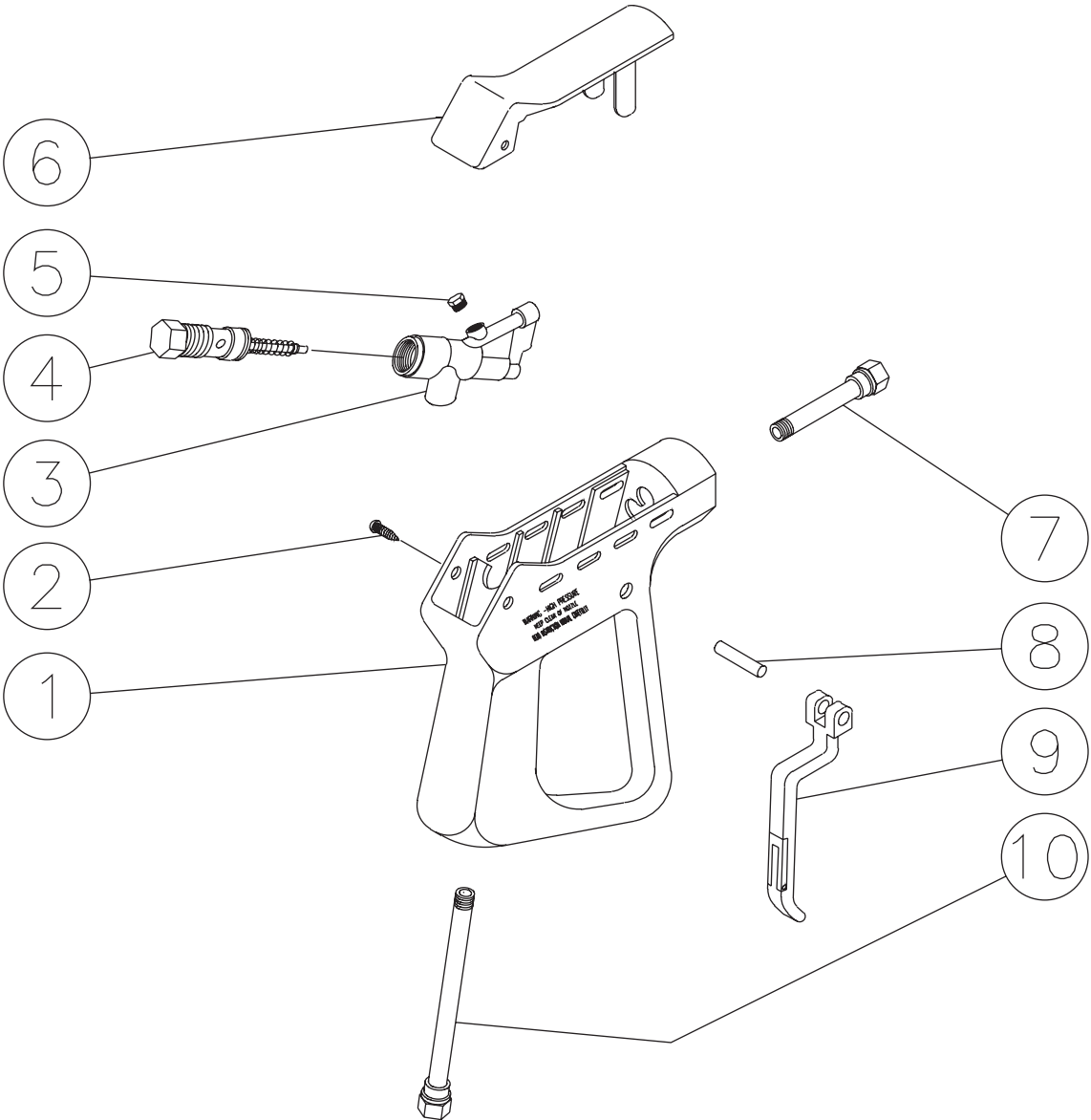


8-0546-060707-RSW

UNLOADER ASSEMBLY (8-0546)

REF. #	DESCRIPTION	PART #	QTY.	REF. #	DESCRIPTION	PART #	QTY.
1	Unloader Knob	7-0178	1	19	Valve Seat	8-0503	1
2	Unloader Knob	7-0179	1	20	O-ring (See 70-0366)	N/A Sep.	1
3	Nut	30-6024	1	21	Bolt	8-0516	1
4	Set Screw	27-8959	1	22	O-ring	25-0388	2
5	Knob Insert	8-0500	1	23	O-ring	25-0370	1
6	Pin	8-0477	2	24	Valve Housing	N/A	1
7	Spring Button	8-0501	2	25	O-ring	25-0519	1
8	Spring	49-0119	1	26	By-pass Housing	N/A	1
9	Upper Piston (See 70-0292)	N/A Sep.	1	27	O-ring	25-0389	1
10	Back-up Ring	25-0404	1	28	Bolt	8-0517	1
11	O-ring (See 70-0336)	N/A Sep.	1	29	O-ring	25-0406	1
12	Piston Guide	8-0502	1	30	Check Valve	8-0518	1
13	O-ring	25-0403	2	31	Unloader Check Valve Spring	49-0124	1
14	O-ring	25-0510	1	32	O-ring	25-0407	1
15	O-ring	25-0386	1	33	Fitting	8-0519	1
16	O-ring (See 70-0366)	N/A Sep.	2		Unloader Kit (Inc. 1-20)	70-0292	
17	Back-up Ring	25-0408	1		O-ring Repair Kit (Inc. 10-11, 13-17, 20, 22-23, 25, 29, 32)	70-0336	
18	Piston	8-0413	1				

GUN ASSEMBLY (16-0001)



GUN ASSEMBLY (16-0001)			
REF. #	DESCRIPTION	PART #	QTY.
1	Plastic Housing	16-0008	1
2	Screw	27-3230	2
3	Brass Housing	16-0012	1
4	Gun Repair Kit	70-0055	1
5	Brass Plug	39-0024	1
6	Plastic Cover	16-0009	1
7	Pipe Assembly	16-0013	1
8	Trigger Pin	16-0063	1
9	Trigger/Safety Lock-off	16-0010	1
10	Pipe Assembly- Inlet	16-0016	1
	Complete Gun Assembly	16-0001	1

Manufactured by Mi-T-M
8650 Enterprise Drive, Peosta IA 52068
563-556-7484/ Fax 563-556-1235