

THE **JOB PRO**[®] by **Mi-T-M**[®]

8650 Enterprise Drive, Peosta IA 52068
563-556-7484 / Fax 563-556-1235

PARTS LIST FOR ***JP-2504-0MHB/VB***

Engine Oil Grade:

Honda:

SAE10W-30

Vanguard:

Above 40°F = SAE30

Below 40°F = SAE10W-30

Engine Oil Capacity:

Honda:

37 oz.

Vanguard:

40 oz.

Pump Oil Grade:

Mi-T-M Pump Oil #AW-4085-0016

Pump Oil Capacity:

18.5 oz.

Nozzle Size:

4.5

This Parts Listing has been compiled for your benefit. You can be assured your Mi-T-M Cold Water Pressure Washer was constructed and designed with quality and performance in mind using over 25 years experience in the pressure washer business. Each component has been rigorously tested to insure the highest level of acceptance.

The contents of this Parts Listing are based on the latest product information available at the time of publication. Mi-T-M reserves the right to make changes in price, color, materials, equipment, specifications or models at any time without notice.

WARNING

THIS IS A PROFESSIONAL HIGH PRESSURE, COLD WATER PRESSURE WASHER. CAUTION SHOULD BE OBSERVED WHEN USING OR REPAIRING THIS UNIT! READ AND FOLLOW THE SAFETY WARNINGS LISTED BELOW BEFORE ATTEMPTING ANY REPAIRS ON THIS PRESSURE WASHER!

SAFETY WARNINGS

1. NEVER alter or modify the equipment. Be sure any accessory items and system components being used will withstand the pressure developed. Use only genuine Mi-T-M parts for repair of your pressure washer. Failure to do so can cause hazardous operating conditions and will VOID warranty.
2. NEVER make adjustments on machinery while the unit is connected to the engine without first removing the ignition cable from the spark plug. Turning over the machinery by hand during adjustment or cleaning might start the engine and machinery with it, causing serious injury to the operator.
3. Know how to stop and bleed pressures quickly. Be thoroughly familiar with controls.
4. Before servicing the unit, turn unit off, relieve the water pressure and allow the unit to cool down. Do not make repairs while the unit is running. Service in a clean, dry, flat area. Block the wheels to prevent the unit from moving. Be especially careful to properly dispose of any flammable materials.
5. After testing the machine, DO NOT leave the pressurized unit unattended. Shut off the unit and release trapped pressure before leaving.

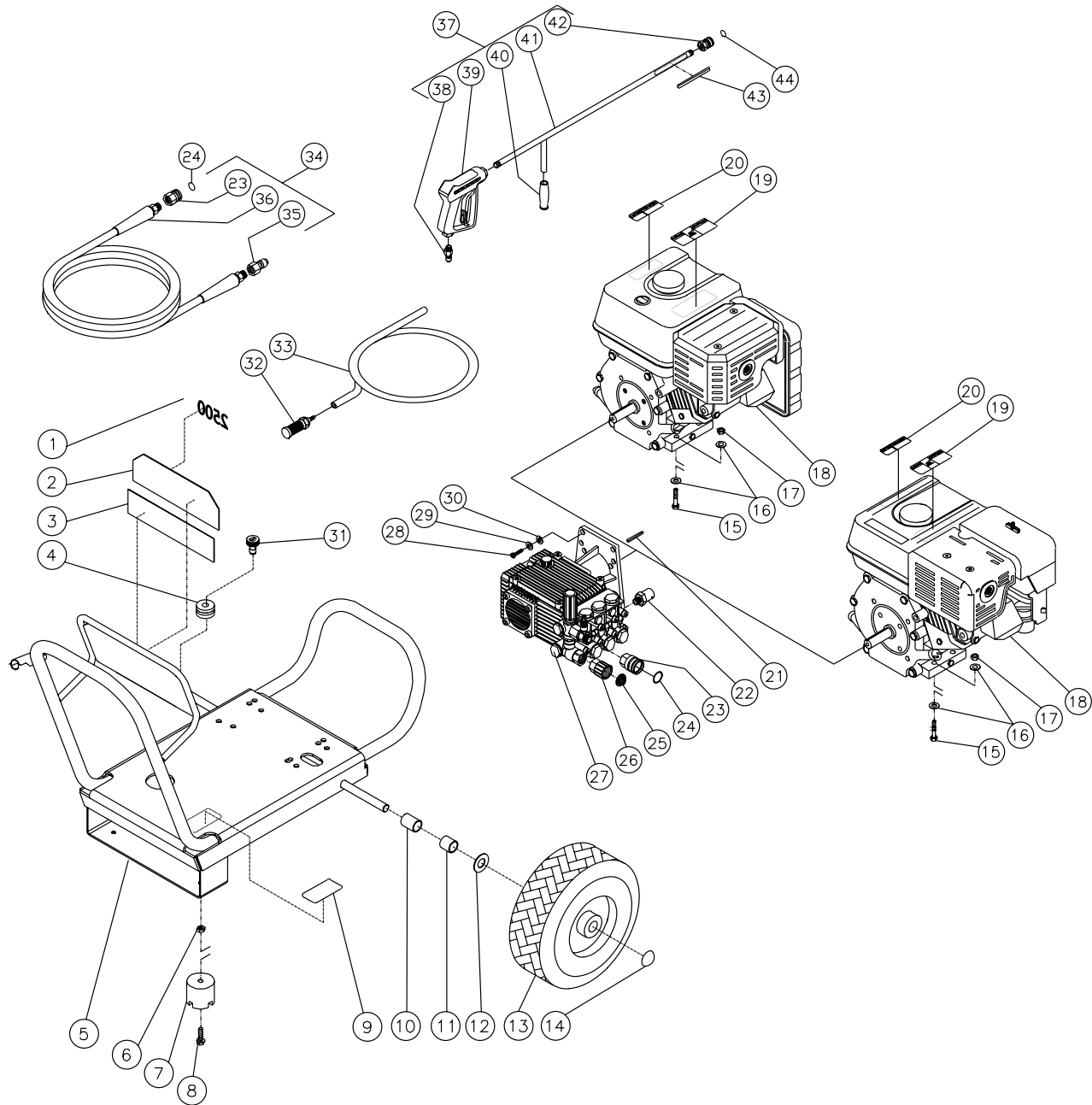
Table of Contents

SPECIFICATIONS	3
FRAME ASSEMBLY FOR JP-2504-0MHB/0MVB (AFTER SERIAL #10070000)	4
PUMP ASSEMBLY (3-0148)	6
GUN ASSEMBLY (16-0001)	8
NOTES	10-11

SPECIFICATIONS

MODEL NUMBER	JP-2504-0MHB	JP-2504-0MVB
Operating Pressure (PSI/Bar):	2500/172.4	
High Pressure Nozzle:	4.5	
Water Volume (GPM/lpm):	3.6/13.6	
Engine:	Honda	Vanguard
Horsepower	9.0	
Engine Type	4 Stroke, Overhead Valve, Single Cylinder	
Oil Type	SAE10W-30	Above 40°F=SAE30/ Below 40°F=SAE10W-30
Oil Capacity (oz./liters)	37/1.1	40/1.2
Low Oil Protection	Oil Alert™	Oil Guard™
Fuel Type	Unleaded Gasoline 86 Octane Minimum	
Fuel Capacity (gallon/ liters)	1.6/6.0	2.0/7.6
Starting	Recoil	
Maximum No Load RPM	3600 (+/- 100) RPM	
Pump:	Direct Driven, Oil Bath, Triplex Piston	
Oil Type	Mi-T-M Pump Oil #AW-4085-0016	
Oil Capacity (oz./liters)	18.5/6	
Plungers	Ceramic	
Manifold	Forged Brass	
Valves	Stainless Steel	
Unloader	Adjustable	
Heat Dump Valve	Relieves heated water during unloader bypass stage	
Detergent Injector	Adjustable low pressure down stream from pump	
Unit Net Weight (lbs/Kg)	121/55	123/56
Unit Shipping Weight (lbs/Kg)	175/79	177/80
Unit Net Dimension (in/cm)	35Lx22.5Wx26H/89Lx57Wx66H	
Unit Shipping Dimension (in/cm)	39.5Lx25Wx31.5H/100Lx63.5Wx80H	

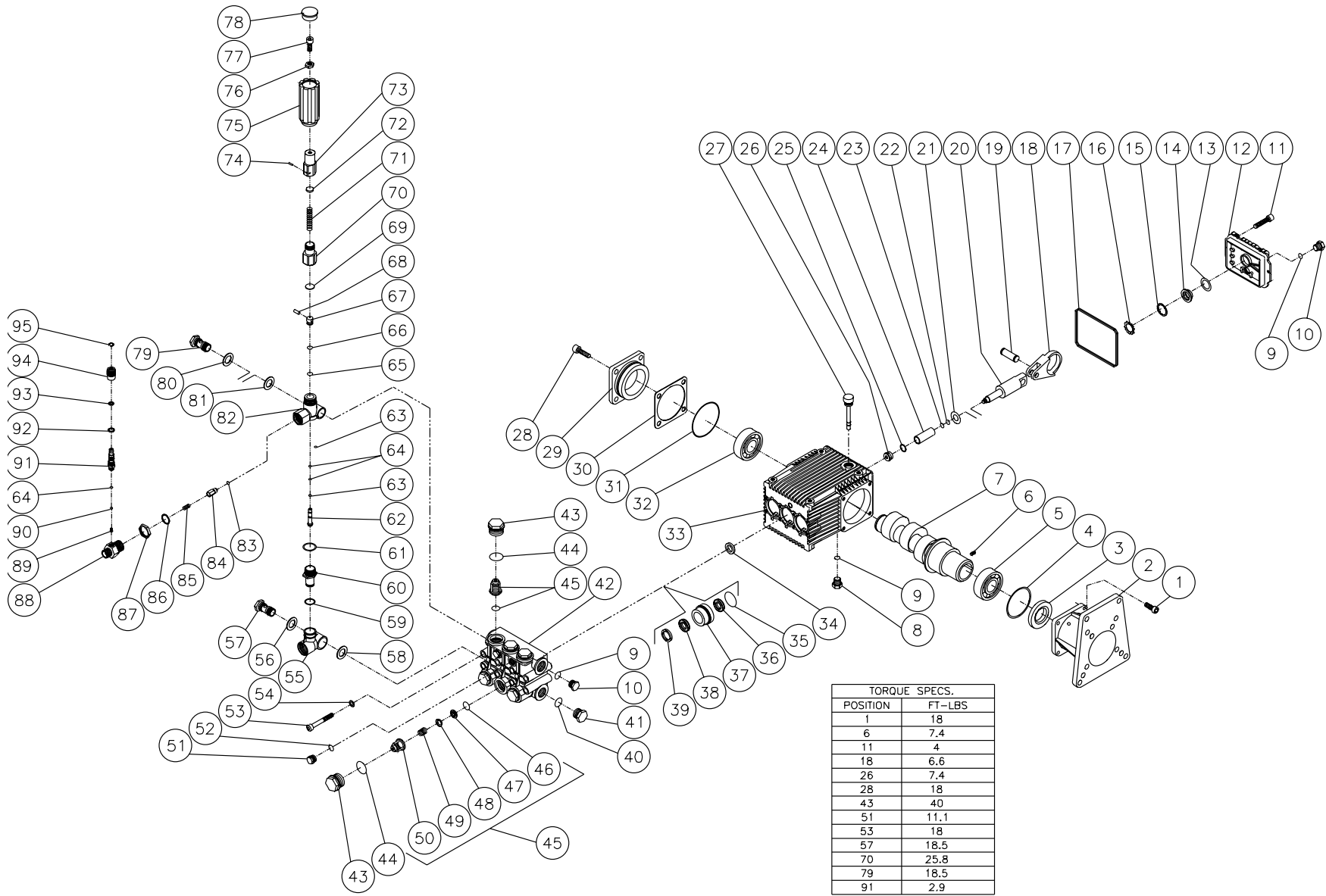
FRAME ASSEMBLY FOR JP-2504-0MHB/0MVB (AFTER SERIAL #10070000)



JP-2504-0MHB/VB-121302-RD

FRAME ASSEMBLY FOR JP-2504-0MHB/0MVB (AFTER SERIAL #10070000)							
REF. #	DESCRIPTION	PART #	QTY.	REF. #	DESCRIPTION	PART #	QTY.
1	Decal- 2500 Die Cut	34-0773	1	25	Filter	19-0001	1
2	Decal- Jop Pro Placard	34-0778	1	26	Garden Hose Swivel	23-0095	1
3	Decal- Warning/Caution/Operating (E/S) (See 34-9018)	N/A Sep.	1	27	Pump	3-0148	1
4	Grommet	33-0001	5	28	Bolt	27-0118	4
5	Frame	5-0179A01	1	29	Lockwasher	29-0008	4
6	Locknut	30-0157	2	30	Washer	28-0022	4
7	Isolator	14-0008	2	31	Nozzle- 0004.5	18-0033	1
8	Bolt	27-0068	2	-	Nozzle- 1504.5	18-0039	1
9	Decal- Data Plate	N/A	1	-	Nozzle- 2504.5	18-0060	1
10	Axle Spacer	20-0313A01	2	-	Nozzle- 6540	18-0148	1
11	Axle Spacer	20-0314A01	2	32	Detergent Strainer	19-0050	1
12	Washer	28-0008	5	33	Detergent Hose *(Four Feet Required)	15-0021	1
13	Wheel	14-0017	2	34	Pressure Hose Assembly (Inc. 23, 35-36)	851-0007	1
14	Hubcap	33-0018	2	35	Quick Connect Plug	17-0006	1
15	Bolt	27-0120	4	36	Pressure Hose	15-0003	1
16	Washer	28-0023	4	37	Gun/Wand Assembly (Inc. 38-42)	851-0095	1
17	Locknut	30-0159	4	38	Quick Connect Plug	17-0005	1
18	Engine- 5.5 H.P. Honda (JP-2504-0MHB)	1-0065	1	39	Gun	16-0001	1
-	Engine- 6.0 H.P. Vanguard (JP-2504-0MVB)	1-0070	1	40	Grip Handle	7-0002	1
19	Decal- Warning: Muffler is Hot (E/S) (See 34-9018)	N/A Sep.	1	41	Wand	16-0120A01	1
20	Decal- Caution: Allow to Cool (E/S) (See 34-9018)	N/A Sep.	1	42	Quick Connect Socket	17-0001	1
21	Key	43-0078	1	43	Decal- Warning: Risk of Injection (E/S) (See 34-9018)	N/A Sep.	1
22	Heat Dump Valve	22-0005	1	44	O-ring (Replacement Only)	25-0122	-
23	Quick Connect Socket	17-0004	2		Safety Decal Kit (Inc. 3, 19-20, 43)	34-9018	
24	O-ring (Replacement Only)	25-0123	-	*Must Order in One Foot Lengths			

PUMP ASSEMBLY (3-0148)

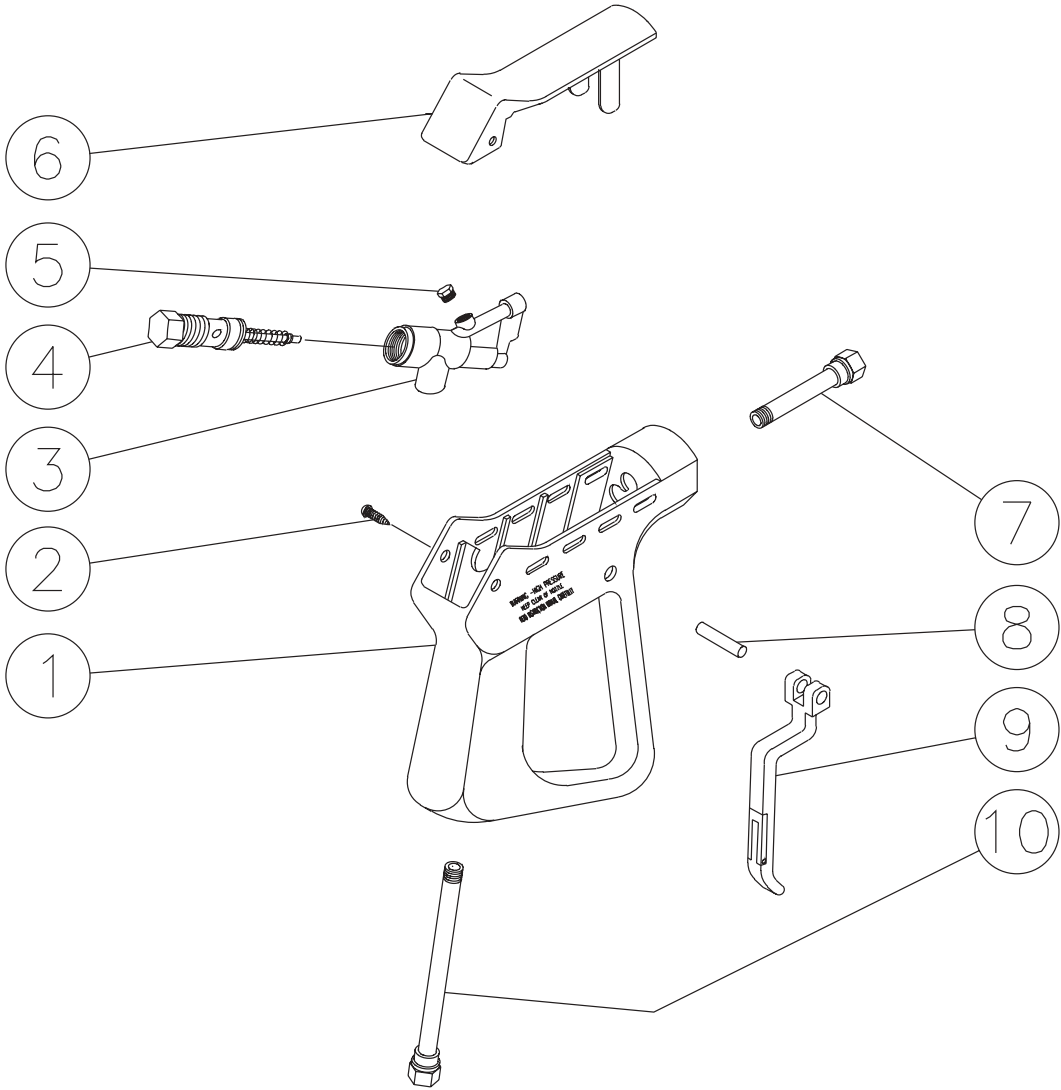


TORQUE SPECS.	
POSITION	FT-LBS
1	18
6	7.4
11	4
18	6.6
26	7.4
28	18
43	40
51	11.1
53	18
57	18.5
70	25.8
79	18.5
91	2.9

3-0148-030503-RD

PUMP ASSEMBLY (3-0148)											
REF. #	DESCRIPTION	PART #	QTY.	REF. #	DESCRIPTION	PART #	QTY.	REF. #	DESCRIPTION	PART #	QTY.
1	Bolt	27-8432	4	33	Crankcase	46-0811	1	69	Spring Button	8-0445	1
2	Flange	46-0714	1	34	Oil Seal	46-0931	3	70	Spring Guide	8-0474	1
3	Oil Seal	26-0194	1	35	O-ring	25-0384	3	71	Spring	49-0132	1
4	O-ring	25-0397	1	36	Low Pressure Seal (See 70-0177)	N/A Sep.	3	72	Spring Button	8-0475	1
5	Roller Bearing	48-0062	1	37	Packing Retainer	46-0708	3	73	Adjustment Barrel	8-0476	1
6	Set Screw	27-8886	1	38	V-packing (See 70-0177)	N/A Sep.	3	74	Pin	8-0477	1
7	Crankshaft	46-0959	1	39	Support Ring (See 70-0178)	N/A Sep.	3	75	Unloader knob	7-0141	1
-	Crankshaft (Before Serial #414453)	46-0734	1	40	O-ring	25-0372	1	76	Nut	30-3025	1
8	Plug	39-0102	1	41	Plug	39-0088	1	77	Bolt	27-8433	1
9	O-ring	25-0325	3	42	Manifold	46-0711	1	78	Cap	7-0142	1
10	Plug	39-0086	2	43	Valve Cap	39-0095	6	79	Adapter	8-0448	1
11	Bolt	27-8885	6	44	O-ring	25-0160	6	80	Washer	8-0449	1
12	Crankcase Cover	46-0719	1	45	Single Valve Assembly (Inc. 46-50)(See 70-0179)	N/A Sep.	6	81	Washer	8-0450	1
13	O-ring	25-0370	1	46	O-ring	25-0386	6	82	Unloader Body	8-0451	1
14	Oil Sight Glass	46-0670	1	47	Valve Seat (See 70-0179)	N/A Sep.	6	83	O-ring	25-0437	1
15	Reflector	46-0824	1	48	Valve Plate (See 70-0179)	N/A Sep.	6	84	Check Valve	8-0454	1
16	Retainer	46-0671	1	49	Valve Spring (See 70-0179)	N/A Sep.	6	85	Spring	49-0123	1
17	O-ring	25-0398	1	50	Valve Cage (See 70-0179)	N/A Sep.	6	86	O-ring	25-0372	1
18	Connecting Rod	46-0896	3	51	Plug	39-0096	2	87	Tightener Nut	8-0497	1
-	Connecting Rod (Before Serial #414453)	46-0696	3	52	O-ring	25-0387	2	88	Injector Adapter	8-0498	1
19	Piston Pin	46-0698	3	53	Head Bolt	27-8440	8	89	Detergent Injector Spring (See 70-0196)	N/A Sep.	1
20	Plunger Rod	46-0699	3	54	Lockwasher	29-0154	8	90	Ball (See 70-0196)	N/A Sep.	1
21	Washer	46-0700	3	55	Inlet Bypass Adapter	8-0437	1	91	Barb	8-0499	1
22	Back-up Ring	25-0404	3	56	Washer	8-0440	1	92	O-ring (See 70-0196)	N/A Sep.	1
23	O-ring	25-0382	3	57	Adaptor	8-0438	1	93	O-ring (See 70-0196)	N/A Sep.	1
24	Piston	46-0701	3	58	Washer	8-0439	1	94	Adjustable Detergent Knob	7-0152	1
25	Washer	26-0191	3	59	O-ring (See 70-0180)	N/A Sep.	1	95	Snap Ring (See 70-0196)	N/A Sep.	1
26	Nut	30-6020	3	60	Nipple	8-0441	1		High Pressure Seal Kit (Inc. 3 each 35, 36, 38)	70-0177	
27	Oil Dipstick	39-0090	1	61	O-ring (See 70-0180)	N/A Sep.	1		Support Ring Kit (Includes 3 each 39)	70-0178	
28	Bolt	27-8884	4	62	Piston	8-0442	1		Valve Kit (Includes 3 each 46-50)	70-0179	
29	Bearing Cap	48-0703	1	63	Back-up Ring (See 70-0180)	N/A Sep.	2		Unloader Repair Kit (Inc. 59, 61, 63-66, 83)	70-0180	
30	Shim 0.1mm (Qty varies 1-3)	46-0704	-	64	O-ring	25-0371	3		Unloader Complete (Inc. 55-85)	8-0456	
-	Shim 0.2mm (Qty varies 1-3)	46-0705	-	65	O-ring (See 70-0180)	N/A Sep.	1		Detergent Injector Complete (Inc. 64, 86-95)	70-0196	
31	O-ring	25-0380	1	66	Back-up Ring (See 70-0180)	N/A Sep.	1		Oil Seal Kit (Includes 3, 4, 17, 31, 34)	70-0337	
32	Bearing	48-0072	1	67	Poppet	8-0443	1		Piston Kit (Includes 3 each 21-26)	70-0352	
-	Bearing (Before Serial # 414453)	48-0061	1	68	Pin	8-0444	1				

GUN ASSEMBLY (16-0001)



16-0001-110399-RD

16-0001-110399-RD

GUN ASSEMBLY (16-0001)			
REF. #	DESCRIPTION	PART #	QTY.
1	Plastic Housing	16-0008	1
2	Screw	27-3230	2
3	Brass Housing	16-0012	1
4	Gun Repair Kit	70-0055	1
5	Brass Plug	39-0024	1
6	Plastic Cover	16-0009	1
7	Pipe Assembly	16-0013	1
8	Trigger Pin	16-0063	1
9	Trigger/Safety Lock-off	16-0010	1
10	Pipe Assembly- Inlet	16-0016	1
	Complete Gun Assembly	16-0001	1

NOTES

NOTES

