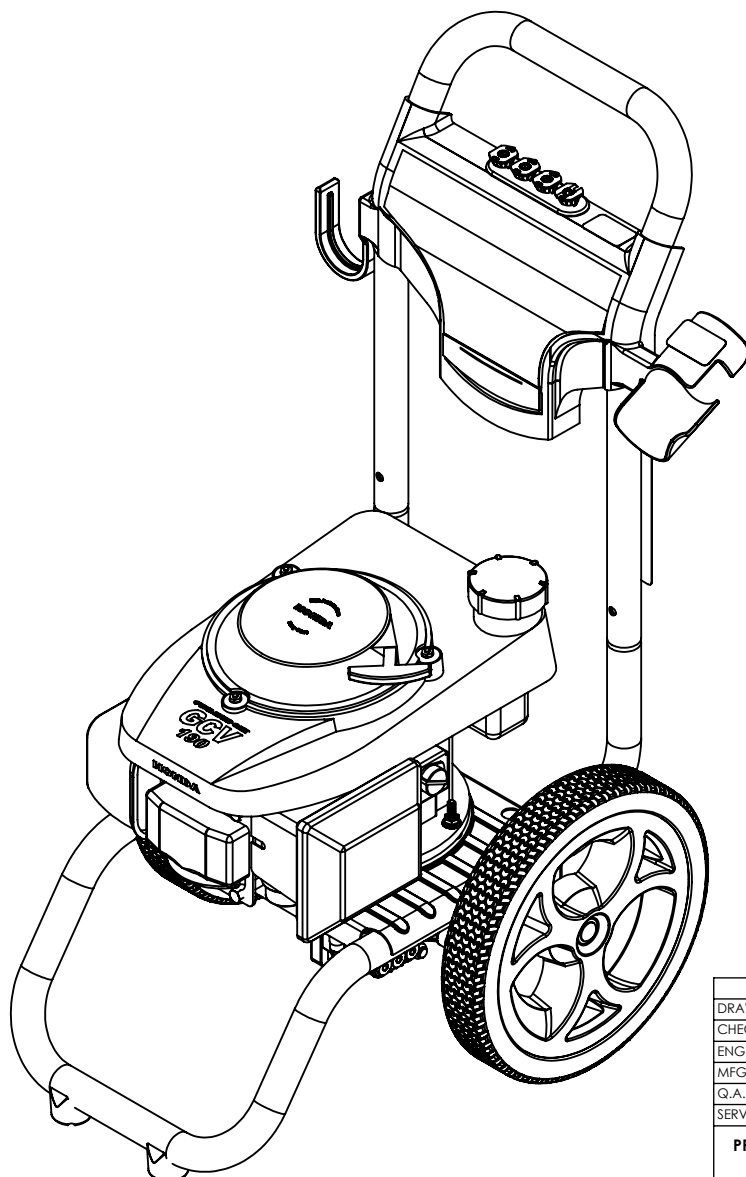
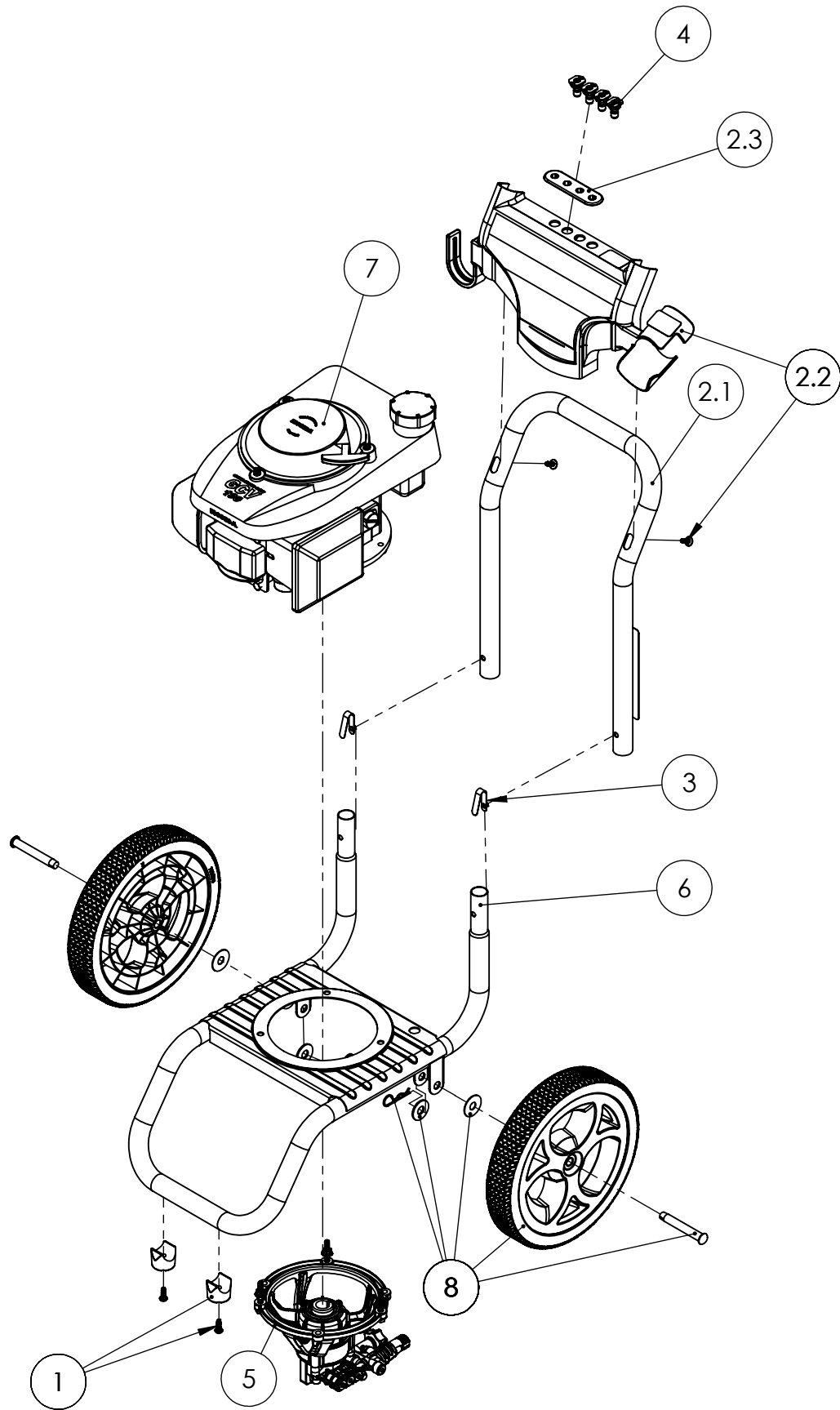


ITEM	PART NO	QTY.	DESCRIPTION
1	7105468	2	FOOT, SVC KIT FITTED RUBBER AND SCREW
2	7109088	1	HANDLE SVC ASSY KIT W/LABELS
2.1	7104902	1	HANDLE, TUBE F/BLACK (MSV3024) 18 GA.
2.2	7108905	1	BONNET SVC ASSY W/ LABELS, SCREWS, HOLDER
2.3	7104120	1	HOLDER, NOZZLE RUBBER STRIP 4PC
3	7102122	2	BUTTON, SNAP
4	7108044	1	4PC SET 1/4QC-M #2.8-0, #3.2-15&40 PSOAP
5	7105466	1	PUMP, SVC ASSY 3000@2.4 VERTICAL
6	7106225	1	FRAME, 2013 BASE ASSY BLACK MSV3024 STUB
7	7106942	1	ENGINE SVC ASSY, GCV190 W/ LABELS
8	7106790	2	WHEEL KIT, AXLE, WHEEL, WASHER, CLIP

* NOT SHOWN
† NOT SOLD SEPERATELY

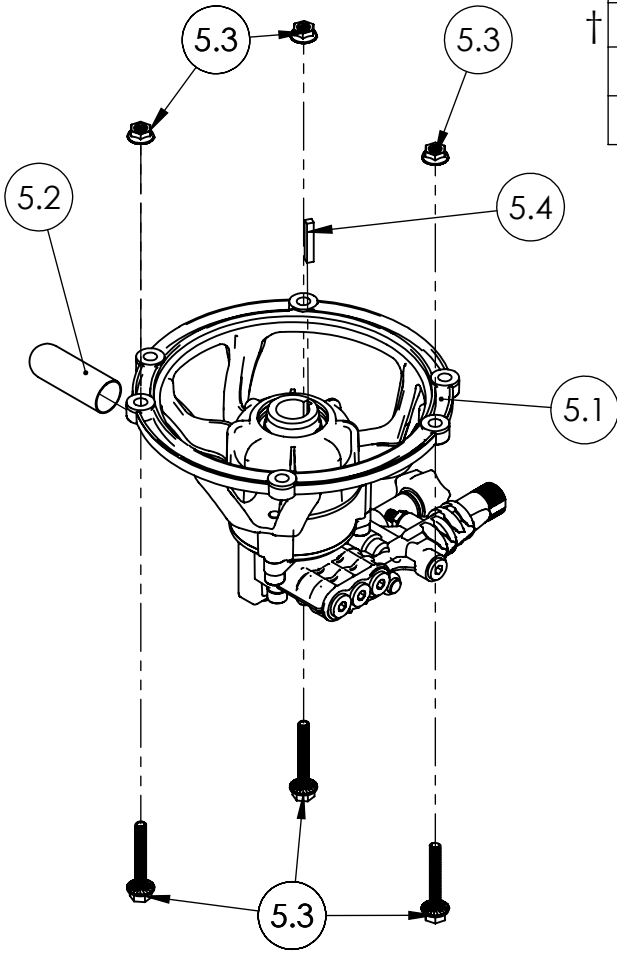


<table border="1"> <thead> <tr> <th>NAME</th> <th>DATE</th> </tr> </thead> <tbody> <tr> <td>DRAWN JHS</td> <td>JULY 2017</td> </tr> <tr> <td>CHECKED DH/OSW</td> <td>JULY 2017</td> </tr> <tr> <td>ENG APPR. SW</td> <td>JULY 2017</td> </tr> <tr> <td>MFG APPR. -</td> <td>-</td> </tr> <tr> <td>Q.A. APPR. -</td> <td>-</td> </tr> <tr> <td>SERVICE APPR. DH</td> <td>JULY 2017</td> </tr> </tbody> </table>			NAME	DATE	DRAWN JHS	JULY 2017	CHECKED DH/OSW	JULY 2017	ENG APPR. SW	JULY 2017	MFG APPR. -	-	Q.A. APPR. -	-	SERVICE APPR. DH	JULY 2017	FNA-GROUP 1265 INDUSTRIAL STREET, DECATUR, AR 72722	
NAME	DATE																	
DRAWN JHS	JULY 2017																	
CHECKED DH/OSW	JULY 2017																	
ENG APPR. SW	JULY 2017																	
MFG APPR. -	-																	
Q.A. APPR. -	-																	
SERVICE APPR. DH	JULY 2017																	
PROPRIETARY AND CONFIDENTIAL THE INFORMATION CONTAINED IN THIS DRAWING IS THE SOLE PROPERTY OF FNA-GROUP. ANY REPRODUCTION IN PART OR AS A WHOLE WITHOUT THE WRITTEN PERMISSION OF FNA-GROUP IS PROHIBITED.			TITLE: MS60681-S 3000psi @ 2.4 gpm															
			SIZE A	DWG. NO. 60681-S	REV. A													
SCALE: N/A		ECN# DC17-0232		SHEET 1 OF 3														



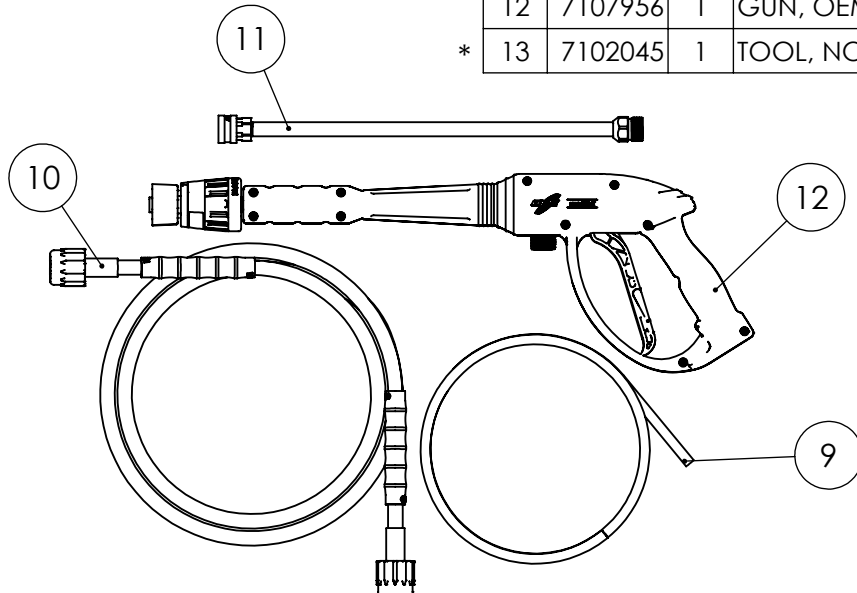
ITEM	PART NO	QTY.	DESCRIPTION
5	7105466	1	PUMP, SVC ASSY 3000@2.4 VERTICAL
5.1	510003	1	PUMP, LT, 3000PSI @ 2.4GPM W/P-BOOST
† 5.2		1	CAP, UNLOADER COVER 1 1/2" x 5/8" BLACK
5.3	7106904	1	HARDWARE, PUMP MOUNTING KIT
5.4	7104174	1	KEY, SHAFT 3/16" x 3/16" x 1 1/4"

* NOT SHOWN
† NOT SOLD SEPERATELY

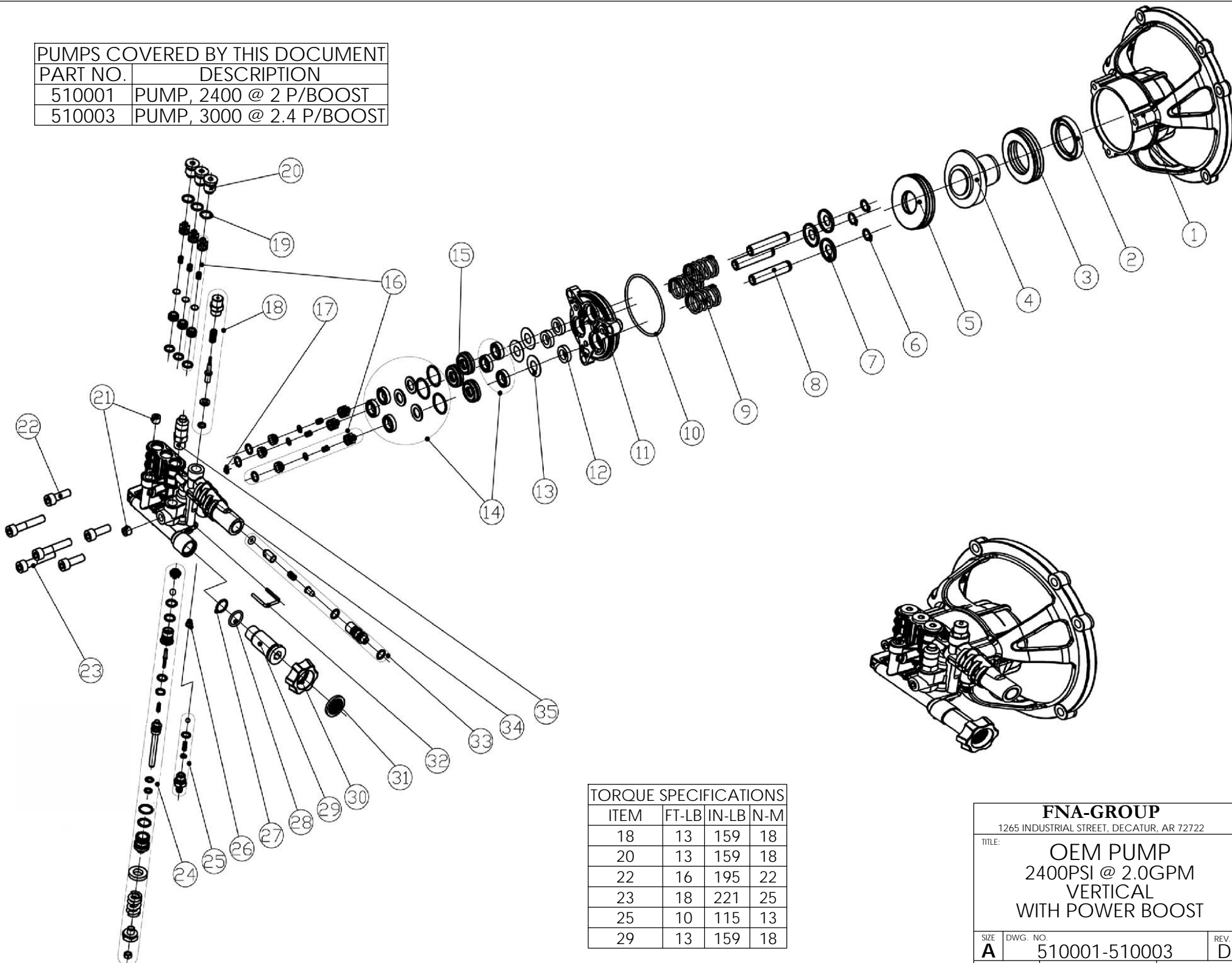


**PUMP SERVICE KIT
PART NO. 7105466**

ITEM	PART NO	QTY.	DESCRIPTION
9	7107745	1	HOSE, SOAP 1/4IN
10	7108160	1	HOSE, MORFLEX 1/4" x 25' x 3100PSI M22 x M22
11	7103550	1	LANCE, 16" W/ 1/4 QC AND M22(M)
12	7107956	1	GUN, OEM FRONT ENTRY, OF341 3400 PSI W/DNW
* 13	7102045	1	TOOL, NOZZLE CLEANING, UNIVERSAL



PUMPS COVERED BY THIS DOCUMENT	
PART NO.	DESCRIPTION
510001	PUMP, 2400 @ 2 P/BOOST
510003	PUMP, 3000 @ 2.4 P/BOOST



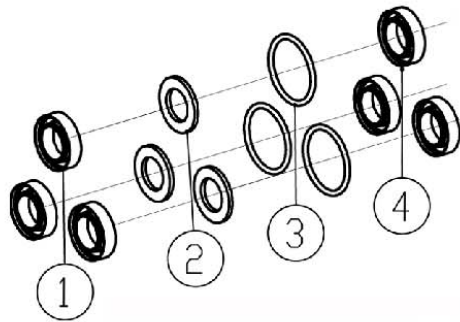
TORQUE SPECIFICATIONS			
ITEM	FT-LB	IN-LB	N-M
18	13	159	18
20	13	159	18
22	16	195	22
23	18	221	25
25	10	115	13
29	13	159	18

FNA-GROUP		
1265 INDUSTRIAL STREET, DECATUR, AR 72722		
TITLE:		
OEM PUMP 2400PSI @ 2.0GPM VERTICAL WITH POWER BOOST		
SIZE	DWG. NO.	REV.
A	510001-510003	D
SCALE:	N/A	ECN# DC15-0145
		SHEET 1 OF 6



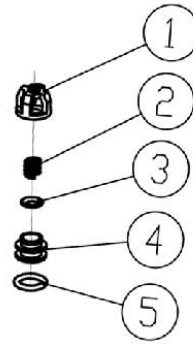
12 PART NO. 7106662

OIL SEAL KIT		
ITEM	QTY	DESCRIPTION
1	3	SEAL, OIL



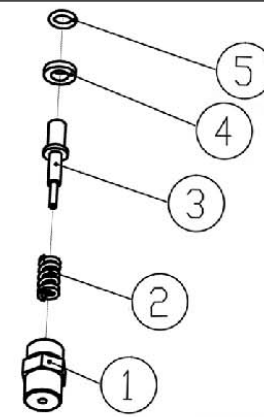
14 PART NO. 7106664

WATER SEAL KIT		
ITEM	QTY	DESCRIPTION
1	3	HIGH PRESSURE SEAL
2	3	BACK RING
3	3	O-RING
4	3	LOW PRESSURE SEAL



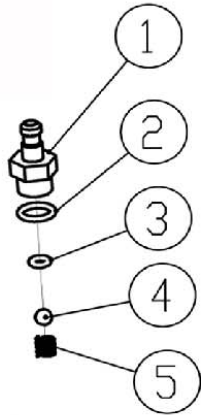
16 PART NO. 7104223

VALVE KIT		
ITEM	QTY	DESCRIPTION
1	6	VALVE CASE
2	6	SPRING
3	6	VALVE PLATE
4	6	VALVE SEAT
5	6	O-RING



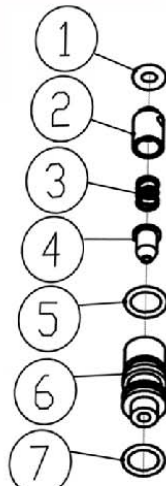
18 PART NO. 7106628

BOOST VALVE KIT		
ITEM	QTY	DESCRIPTION
1	1	VALVE CASE
2	1	VALVE SPRING
3	1	VALVE POLE
4	1	VALVE PLATE
5	1	O-RING



25 PART NO. 7104228

SOAP INJECTOR KIT		
ITEM	QTY	DESCRIPTION
1	1	HOSE BARB
2	1	O-RING
3	1	O-RING
4	1	STEEL BALL
5	1	SPRING

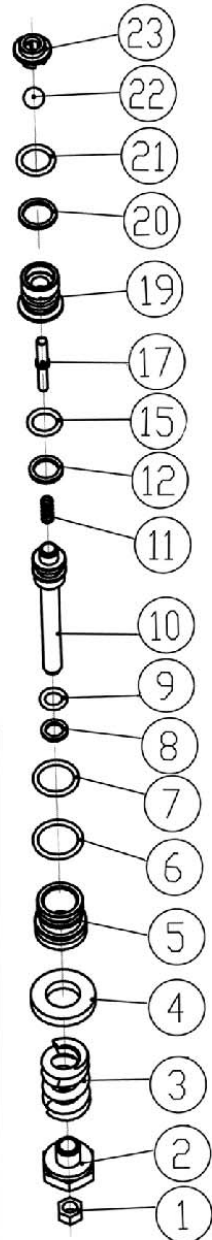


33 PART NO. 7106630

VENTURI TUBE KIT		
ITEM	QTY	DESCRIPTION
1	1	O-RING
2	1	CHECK VALVE CORE
3	1	CHECK VALVE SPRING
4	1	NOZZLE
5	1	O-RING
6	1	VENTURI TUBE
7	1	O-RING

24 PART NO. 7104226

UNLOADER KIT		
ITEM	QTY	DESCRIPTION
1	1	NUT
2	1	ADJUSTING NUT
3	1	SPRING
4	1	SEATING RING
5	1	VALVE SHEATH
6	1	O-RING
7	1	O-RING
8	1	CHECKING RING
9	1	O-RING
10	1	VALVE POLE
11	1	SPRING
12	1	CHECKING RING
15	1	O-RING
17	1	PIN
19	1	UPPER SEAT
20	1	CHECKING RING
21	1	O-RING
22	1	STEEL BALL
23	1	BACK SEAT



510001 PUMP DRAWING PARTS LIST

ITEM	PART NO.	DESCRIPTION	QTY PER PUMP	COMMENT
1		Case	1	
2		Oil Seal	1	
3		Thrusting Bearing 2	1	
4		Back Ring, Wobble Plate	1	
		O-Ring	1	
		Wobble Plate	1	
5		Thrusting Bearing 1	1	
6		Clip	3	
7		Spring Base	3	
8		Plunger	3	
9		Spring, Plunger	3	
10		O-Ring	1	
11		Base, Plunger	1	
12	7105741	Oil Seal	3	Oil Seal Kit
13		Back Ring	3	
14	7106627	High Pressure Water Seal	3	Water Seal Kit
		Back Ring		
		O-Ring		
		Low Pressure Water Seal		
15	7106643	Back Ring	3	
16	7104223	Valve Case	6	Valve Kit (INLET AND OUTLET)
		Spring		
		Valve Plate		
		Valve Seat		
		O-Ring		
17	7106644	O-Ring	1	
18	7108157	Boost Valve Case	1	Boost Plug Kit
		Boost Valve Spring		
		Boost Valve Pole		
		Boost Valve Plate		
		O-Ring		
19	7106645	O-Ring	3	
20	7106646	Plug	3	
21	7106647	Plug	2	
22	7106648	Screw	3	
23	7106649	Screw	3	

510001 PUMP DRAWING PARTS LIST

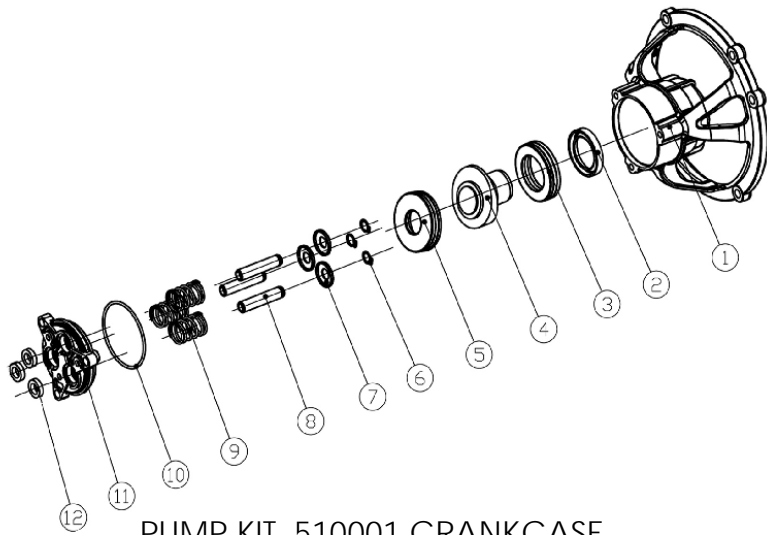
ITEM	PART NO.	DESCRIPTION	QTY PER PUMP	COMMENT
24	7104226	Nut	1	Unloader Kit
		Adjusting Nut		
		Spring		
		Seating Ring		
		Valve Sheath		
		O-Ring		
		O-Ring		
		Checking Ring		
		O-Ring		
		Valve Pole		
		Spring		
		Checking Ring		
		O-Ring		
		Pin		
		Upper Seat		
		Checking Ring		
		O-Ring		
Steel Ball				
Back Seat				
25	7104228	Nozzle	1	Soap Injector Kit
		O-Ring		
		O-Ring		
		Steel Ball		
		Spring		
26	7106650	Venturi Tube Back Ring	1	
27	7106651	O-Ring	1	
28	7106652	O-Ring	1	
29	7106653	Inlet Connector	1	
30	7105705	Garden Hose Nut	1	
31	7000123	Filter Gasket	1	
32	7106655	U-Pin	1	
33	7106630	O-Ring	1	Venturi Tube Kit
		Checking Valve Core		
		Checking Valve Spring		
		Nozzle		
		O-Ring		
Venturi Tube				
		O-Ring		
34		Pump Head	1	
35	7101359	Thermal Relief Valve	1	

510003 PUMP DRAWING PARTS LIST

ITEM	PART NO.	DESCRIPTION	QTY PER PUMP	COMMENT
1		Case	1	
2		Oil Seal	1	
3		Thrusting Bearing 2	1	
4		Back Ring, Wobble Plate	1	
		O-Ring	1	
		Wobble Plate	1	
5		Thrusting Bearing 1	1	
6		Clip	3	
7		Spring Base	3	
8		Plunger	3	
9		Spring, Plunger	3	
10		O-Ring	1	
11		Base, Plunger	1	
12	7105741	Oil Seal	3	Oil Seal Kit
13		Back Ring	3	
14	7106627	High Pressure Water Seal	3	Water Seal Kit
		Back Ring		
		O-Ring		
		Low Pressure Water Seal		
15	7106643	Back Ring	3	
16	7104223	Valve Case	6	Valve Kit (INLET AND OUTLET)
		Spring		
		Valve Plate		
		Valve Seat		
		O-Ring		
17	7106644	O-Ring	1	
18	7108157	Boost Valve Case	1	Boost Plug Kit
		Boost Valve Spring		
		Boost Valve Pole		
		Boost Valve Plate		
		O-Ring		
19	7106645	O-Ring	3	
20	7106646	Plug	3	
21	7106647	Plug	2	
22	7106648	Screw	3	
23	7106649	Screw	3	

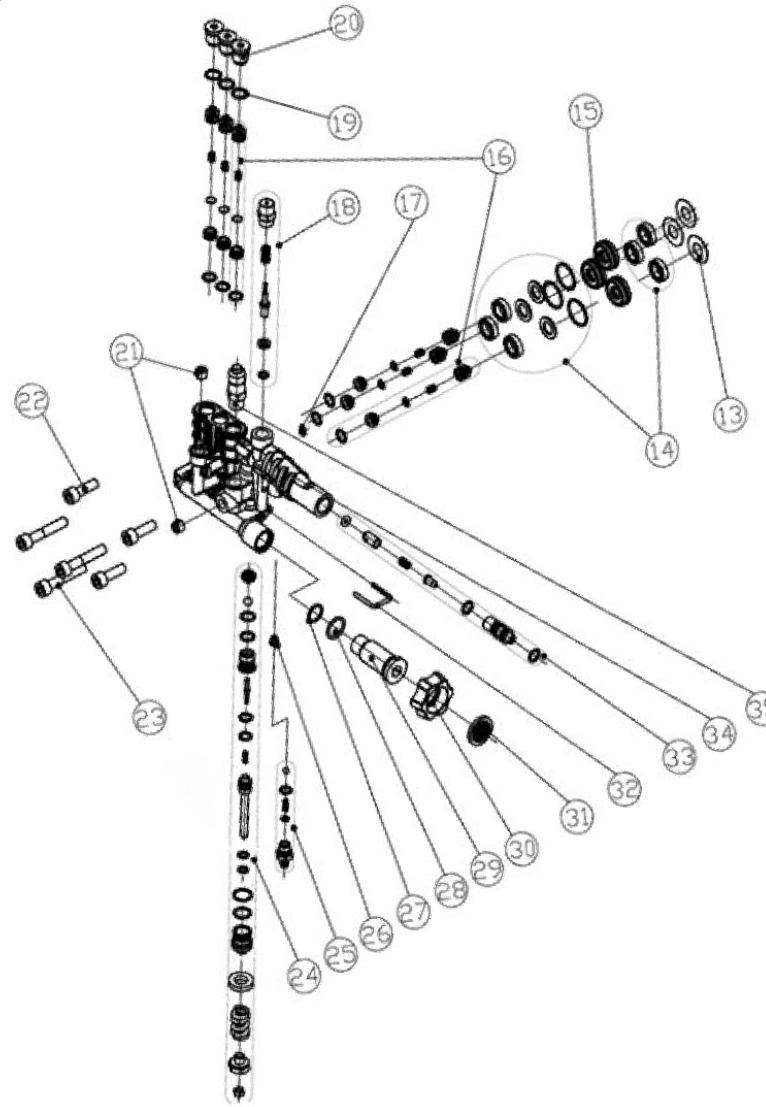
510003 PUMP DRAWING PARTS LIST

ITEM	PART NO.	DESCRIPTION	QTY PER PUMP	COMMENT
24	7104226	Nut	1	Unloader Kit
		Adjusting Nut		
		Spring		
		Seating Ring		
		Valve Sheath		
		O-Ring		
		O-Ring		
		Checking Ring		
		O-Ring		
		Valve Pole		
		Spring		
		Checking Ring		
		O-Ring		
		Pin		
		Upper Seat		
		Checking Ring		
		O-Ring		
Steel Ball				
Back Seat				
25	7104228	Nozzle	1	Soap Injector Kit
		O-Ring		
		O-Ring		
		Steel Ball		
		Spring		
26	7106650	Venturi Tube Back Ring	1	
27	7106651	O-Ring	1	
28	7106652	O-Ring	1	
29	7106653	Inlet Connector	1	
30	7105705	Garden Hose Nut	1	
31	7000123	Filter Gasket	1	
32	7106655	U-Pin	1	
33	7106630	O-Ring	1	Venturi Tube Kit
		Checking Valve Core		
		Checking Valve Spring		
		Nozzle		
		O-Ring		
		Venturi Tube		
O-Ring				
34		Pump Head	1	
35	7101359	Thermal Relief Valve	1	



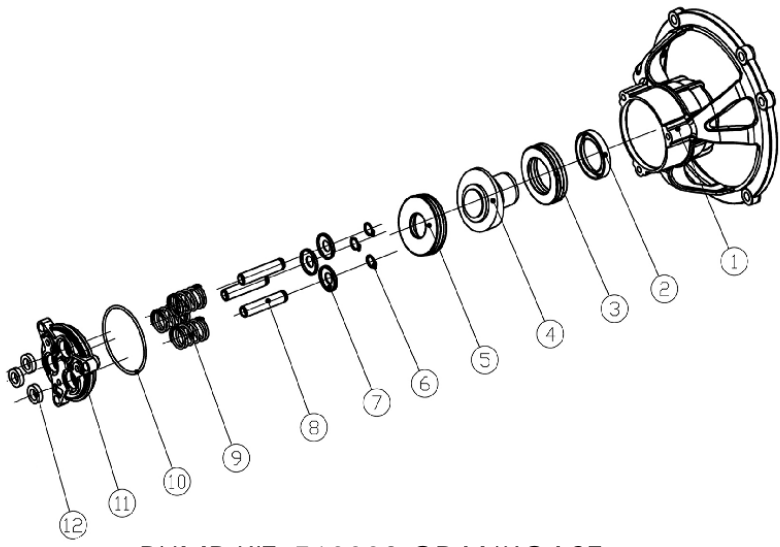
PUMP KIT, 510001 CRANKCASE
PART NO. 7107339

510003 PUMP DRAWING PARTS LIST				
ITEM	PART NO.	DESCRIPTION	QTY	COMMENT
1		Case	1	
2		Oil Seal	1	
3		Thrusting Bearing 2	1	
4		Back Ring, Wobble Plate	1	
		O-Ring	1	
		Wobble Plate	1	
5		Thrusting Bearing 1	1	
6		Clip	3	
7		Spring Base	3	
8		Plunger	3	
9		Spring, Plunger	3	
10		O-Ring	1	
11		Base, Plunger	1	
12	7106662	Oil Seal	3	Oil Seal Kit



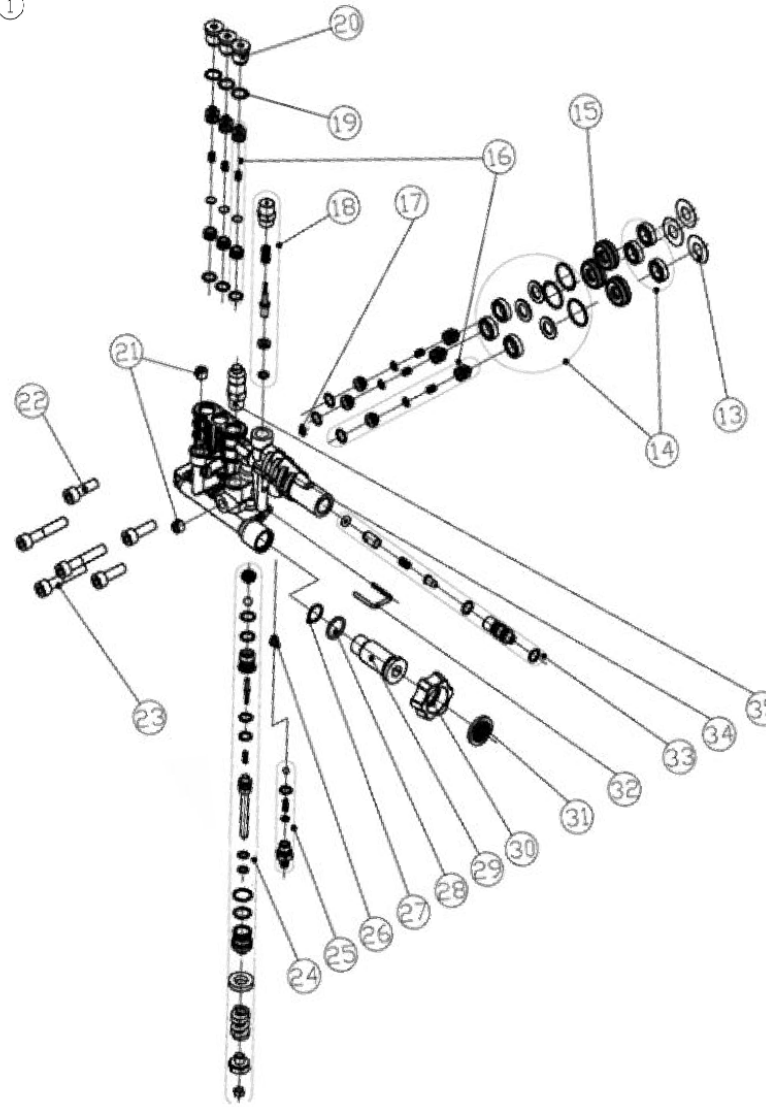
PUMP KIT, 510001 MANIFOLD
PART NO. 7107340

510001 PUMP DRAWING PARTS LIST				
ITEM	PART NO.	DESCRIPTION	QTY	COMMENT
13		Back Ring	3	
14	7106627	High Pressure Water Seal		Water Seal Kit
		Back Ring	3	
		O-Ring		
		Low Pressure Water Seal		
15	7106643	Back Ring	3	
16	7104223	Valve Case		Valve Kit (INLET AND OUTLET)
		Spring		
		Valve Plate	6	
		Valve Seat		
		O-Ring		
17	7106644	O-Ring	1	
18	7108157	Boost Valve Case		Boost Plug Kit
		Boost Valve Spring		
		Boost Valve Pole	1	
		Boost Valve Plate		
		O-Ring		
19	7106645	O-Ring	3	
20	7106646	Plug	3	
21	7106647	Plug	2	
22	7106648	Screw	3	
23	7106649	Screw	3	
24	7104226	Nut		Unloader Kit
		Adjusting Nut		
		Spring		
		Seating Ring		
		Valve Sheath		
		O-Ring		
		O-Ring		
		Checking Ring		
		O-Ring		
		Valve Pole	1	
		Spring		
		Checking Ring		
		O-Ring		
		Pin		
		Upper Seat		
		Checking Ring		
		O-Ring		
		Steel Ball		
		Back Seat		
25	7104228	Nozzle		Soap Injector Kit
		O-Ring	1	
		O-Ring		
		Spring		
26	7106650	Venturi Tube Back Ring	1	
27	7106651	O-Ring	1	
28	7106652	O-Ring	1	
29	7106653	Inlet Connector	1	
30	7105705	Garden Hose Nut	1	
31	7000123	Filter Gasket	1	
32	7106655	U-Pin	1	
33	7106630	O-Ring		Venturi Tube Kit
		Checking Valve Core		
		Checking Valve Spring	1	
		Nozzle		
		O-Ring		
		Venturi Tube		
		O-Ring		
34		Pump Head	1	
35	7101359	Thermal Relief Valve	1	



PUMP KIT, 510003 CRANKCASE
PART NO. 7107341

510003 PUMP DRAWING PARTS LIST				
ITEM	PART NO.	DESCRIPTION	QTY	COMMENT
1		Case	1	
2		Oil Seal	1	
3		Thrusting Bearing 2	1	
4		Back Ring, Wobble Plate	1	
		O-Ring	1	
5		Wobble Plate	1	
6		Thrusting Bearing 1	1	
7		Clip	3	
8		Spring Base	3	
9		Plunger	3	
10		Spring, Plunger	3	
11		O-Ring	1	
12	7106662	Oil Seal	3	Oil Seal Kit



PUMP KIT, 510003 MANIFOLD
PART NO. 7107342

510003 PUMP DRAWING PARTS LIST				
ITEM	PART NO.	DESCRIPTION	QTY	COMMENT
13		Back Ring	3	
14	7106627	High Pressure Water Seal	3	Water Seal Kit
		Back Ring		
		Low Pressure Water Seal		
15	7106643	Back Ring	3	
16	7104223	Valve Case	6	Valve Kit (INLET AND OUTLET)
		Spring		
		Valve Plate		
		Valve Seat		
17	7106644	O-Ring	1	
		Boost Valve Case		
18	7108157	Boost Valve Spring	1	Boost Plug Kit
		Boost Valve Pole		
		Boost Valve Plate		
		O-Ring		
19	7106645	O-Ring	3	
20	7106646	Plug	3	
21	7106647	Plug	2	
22	7106648	Screw	3	
23	7106649	Screw	3	
24	7104226	Nut	1	Unloader Kit
		Adjusting Nut		
		Spring		
		Seating Ring		
		Valve Sheath		
		O-Ring		
		O-Ring		
		Checking Ring		
		O-Ring		
		Valve Pole		
		Spring		
		Checking Ring		
		O-Ring		
		Pin		
		Upper Seat		
		Checking Ring		
O-Ring				
Steel Ball				
Back Seat				
Nozzle				
25	7104228	O-Ring	1	Soap Injector Kit
		O-Ring		
		Steel Ball		
		Spring		
26	7106650	Venturi Tube Back Ring	1	
27	7106651	O-Ring	1	
28	7106652	O-Ring	1	
29	7106653	Inlet Connector	1	
30	7105705	Garden Hose Nut	1	
31	7000123	Filter Gasket	1	
32	7106655	U-Pin	1	
33	7106630	O-Ring	1	Venturi Tube Kit
		Checking Valve Core		
		Checking Valve Spring		
		Nozzle		
		O-Ring		
Venturi Tube				
O-Ring				
34		Pump Head	1	
35	7101359	Thermal Relief Valve	1	