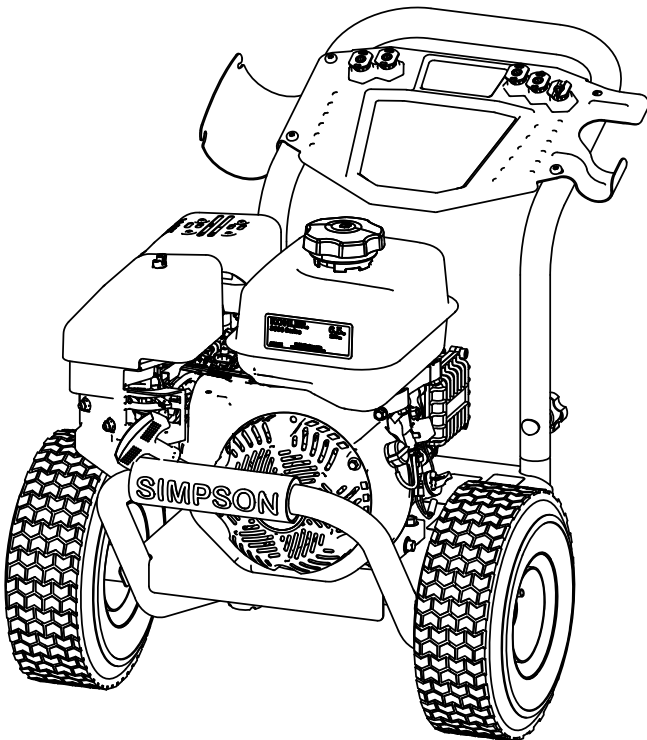


ITEM	PART NO	DESCRIPTION	QTY.
1	7109301	NOZZLE,#2.6 5PCSET 0, 15, 25, 40 & PSOAP	1
2	7109207	HANDLE ASSEMBLY KIT, PS60841, W/ LABELS	1
2.1	7107067	HOLDER, NOZZLE 2PC RUBBER STRIP	1
2.2	7107068	HOLDER, NOZZLE 3PC RUBBER STRIP	1
2.3	7109851	DASHBOARD 11.75" C-C BLK, W/ LABELS	1
† 2.4		HANDLE, SILVER 11.75" C-C	1
3	7107941	KNOB-BOLT ASSEMBLY	2
4	7109932	PUMP SERVICE ASSY KIT	1
4.1	530017	PUMP, CY SERIES, HORIZ TRIPLEX, 12x8.2	1
4.2	7105474	HARDWARE KIT, PUMP MOUNTING	1
4.3	7101506	KEY, SHAFT 3/16 X 3/16 X 1-1/2	1
5	7109230	FRAME, BASE ASSY, 11.75 SILVER W/LABELS	1
6	7109385	FOOT SERVICE KIT	2
7	7103750	MOUNTING KIT, ENGINE	1
8	7105013	WHEEL, SERVICE KIT	1
9	7106671	HANDLE GRIP, SIMPSON BLACK W/ WHITE LETTERING	1
10	100593	ENGINE, SH265 KOHLER, RED SHROUD/RECOIL	1
11	7102207	KIT, SVC ASSY SOAP HOSE W/PLASTIC FILTER	1
12	7103550	LANCE, 16" W/ 1/4 QC AND M22(M)	1
13	7108124	GUN 4500PSI, 6.6 GPM M22(M) x M22(F) OEM	1
14	7107184	HOSE, 5/16" x 35' x 3700PSI MORFLEX M22	1
* 15	7102045	TOOL, NOZZLE CLEANING, UNIVERSAL	1

* NOT SHOWN

† NOT SOLD SEPARATELY

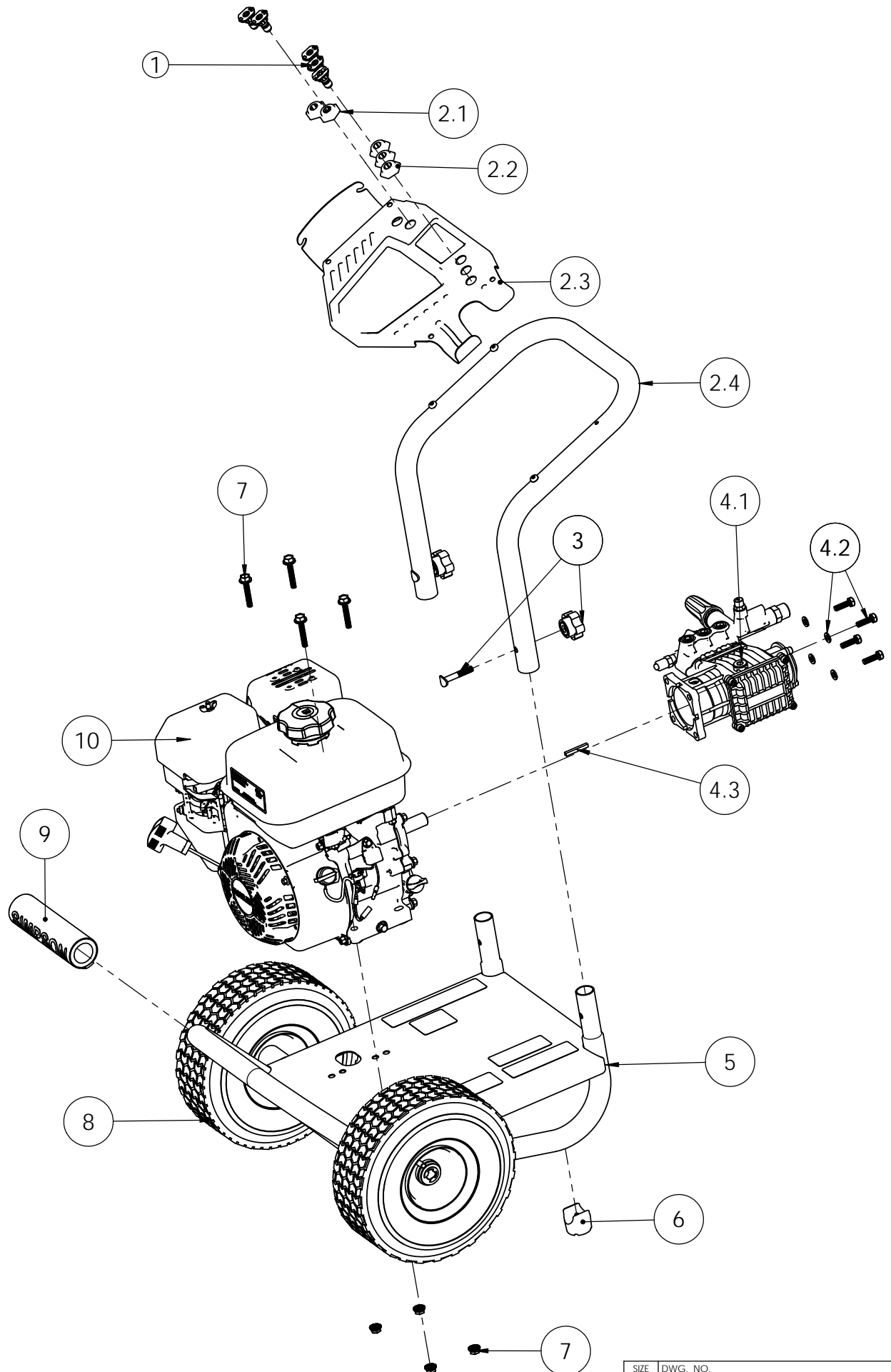


PUMP IDENTIFICATION TABLE		
MACHINE SERIAL NO.	PUMP KIT	PUMP PART NO.
1354110-PRESENT	7109932	530017

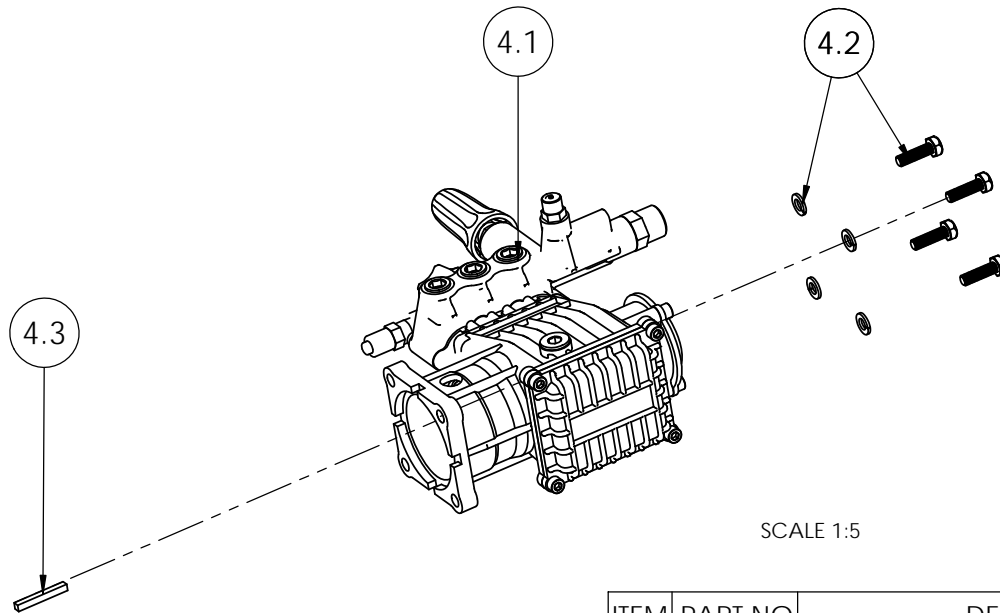
	NAME	DATE
DRAWN	HB	May 2017
CHECKED	DH	May 2017
ENG APPR.	SW	May 2017
MFG APPR.	-	-
Q.A. APPR.	CG	May 2017
SERVICE APPR.	DH	May 2017

PROPRIETARY AND CONFIDENTIAL
 THE INFORMATION CONTAINED IN THIS DRAWING IS THE SOLE PROPERTY OF FNA-GROUP. ANY REPRODUCTION IN PART OR AS A WHOLE WITHOUT THE WRITTEN PERMISSION OF FNA-GROUP IS PROHIBITED.

FNA-GROUP		
1265 INDUSTRIAL STREET, DECATUR, AR 72722		
TITLE:		
PS60841, 3300PSI@2.5GPM KOHLER		
SIZE	DWG. NO.	REV.
A	60841	A
SCALE: 1:8	ECN# DC17-0149	SHEET 1 OF 3

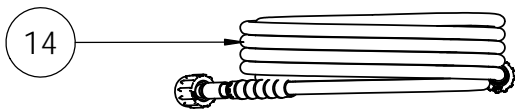
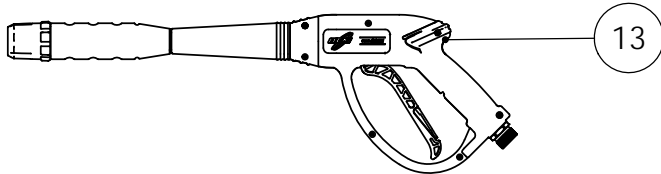
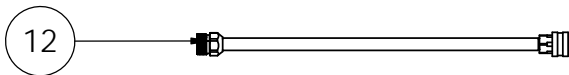
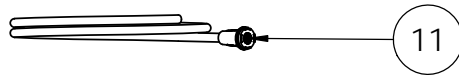


SIZE	DWG. NO.	REV.
A	60841	A
SCALE: 1:8	ECN# DC17-0149	SHEET 2 OF 3



SCALE 1:5

ITEM	PART NO	DESCRIPTION	QTY.
4	7109932	PUMP SERVICE ASSY KIT	1
4.1	530017	PUMP, CY SERIES, HORIZ TRIPLEX, 12x8.2	1
4.2	7105474	HARDWARE KIT, PUMP MOUNTING	1
4.3	7101506	KEY, SHAFT 3/16 X 3/16 X 1-1/2	1

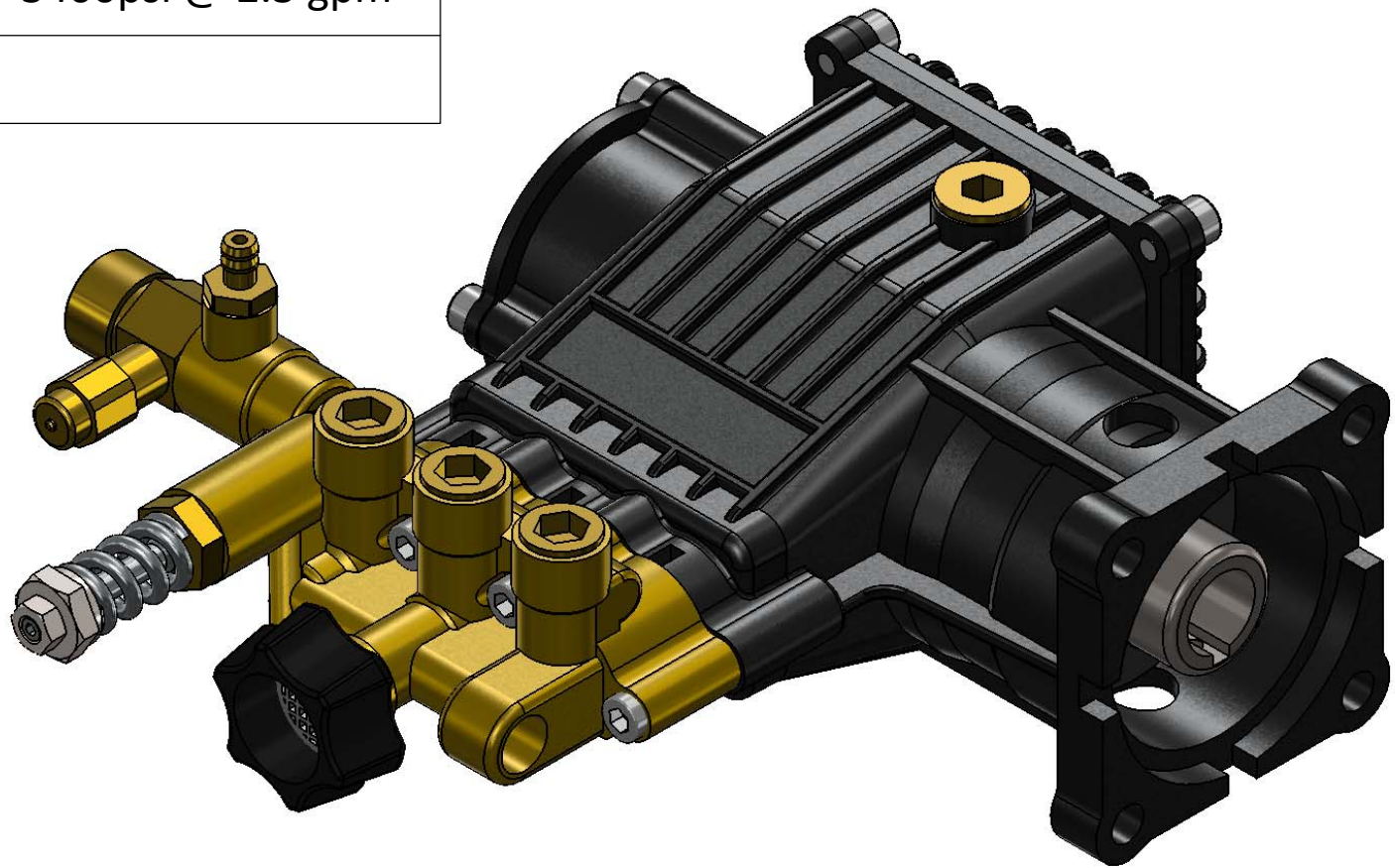


SCALE 1:8

ITEM	PART NO	DESCRIPTION	QTY.
11	7102207	KIT, SVC ASSY SOAP HOSE W/PLASTIC FILTER	1
12	7103550	LANCE, 16" W/ 1/4 QC AND M22(M)	1
13	7108124	GUN 4500PSI, 6.6 GPM M22(M) x M22(F) OEM	1
14	7107184	HOSE, 5/16" x 35' x 3700PSI MORFLEX M22	1

PHOENIX CY SERIES TRIPLEX PUMPS

PUMPS COVERED IN THIS IPL	
530015	3400psi @ 2.3 gpm
530017	



	NAME	DATE
DRAWN	JHS	AUG 2017
CHECKED	DH/OSW	AUG 2017
ENG APPR.	OSW	AUG 2017
MFG APPR.	-	-
Q.A. APPR.	-	-
SERVICE APPR.	DH	AUG 2017

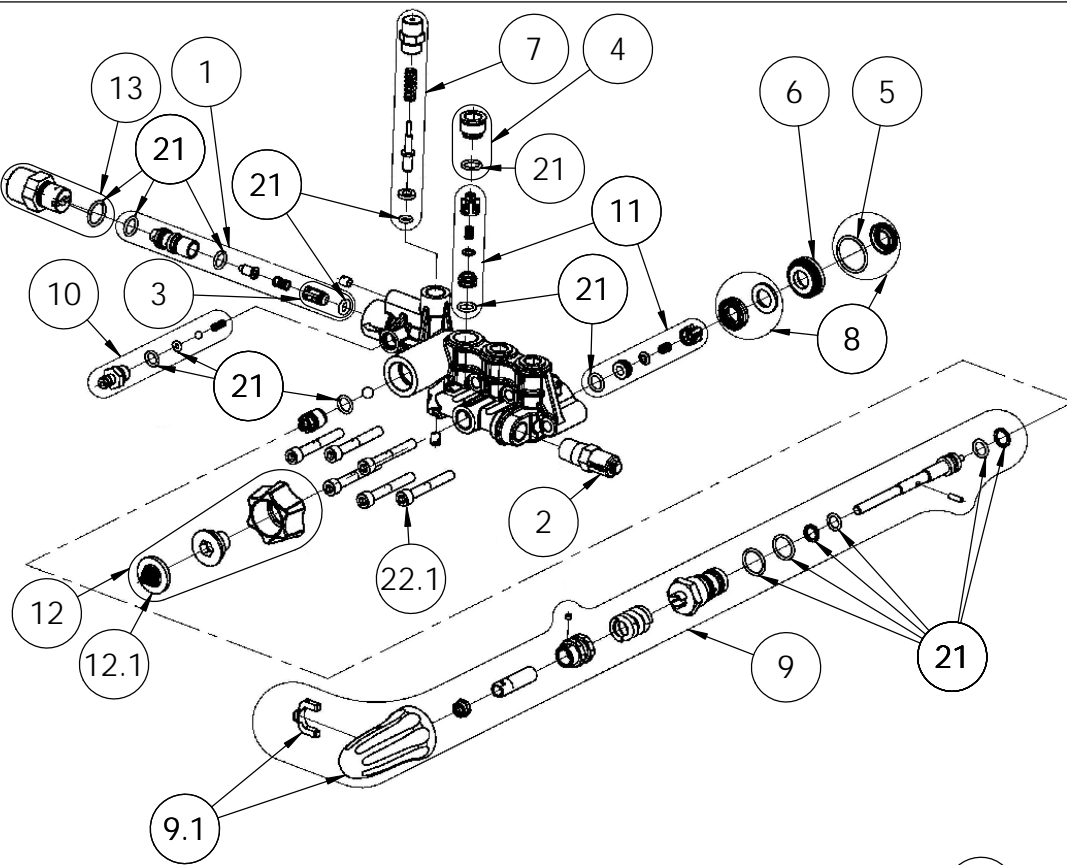
FNA-GROUP
 1265 INDUSTRIAL STREET, DECATUR, AR 72722
 TITLE:
**PUMP, CY SERIES, HORIZ
 TRIPLEX, 12X8.2**

PROPRIETARY AND CONFIDENTIAL
 THE INFORMATION CONTAINED IN
 THIS DRAWING IS THE SOLE
 PROPERTY OF FNA-GROUP. ANY
 REPRODUCTION IN PART OR AS
 A WHOLE WITHOUT THE WRITTEN
 PERMISSION OF FNA-GROUP IS
 PROHIBITED.

SIZE	DWG. NO.	REV.
A	530015, 530017	A
SCALE: N/A	ECN# DC17-0255	SHEET 1 OF 3

PUMP KIT, 530015
MANIFOLD PART NO. 7110118

530015 PUMP DRAWING PARTS LIST				
ITEM	PART NO.	DESCRIPTION	QTY	COMMENT
1	7110132	VENTURI KIT	1	
2	7110131	THERMAL RELIEF VALVE	1	TORQUE TO 155 IN-LB 18N-M
3	7110130	CHECK VALVE KIT	1	
4	7110129	VALVE CAP KIT	3	2 KITS REQ'D FOR THIS MODEL TORQUE TO 155 IN-LB 18N-M
5	7110125	SEAL RETAINER KIT	3	
6	7110123	SEAL SPACER KIT	3	
7	7110117	KIT, BOOST VALVE	1	TORQUE TO 155 IN-LB 18N-M
8	7110116	WATER SEAL KIT	3	
9	7110112	UNLOADER KIT	1	
9.1	7109325	UNLOADER CAP KIT	1	
10	7110111	SOAP INJECTOR KIT	1	TORQUE TO 155 IN-LB 18N-M
11	7110110	VALVE KIT	6	
12	7110329	WATER INLET KIT	1	TORQUE TO 155 IN-LB 18N-M
12.1	7110138	WATER INLET SCREEN	1	
13	7110265	SOAP INJECTOR BODY	1	TORQUE TO 155 IN-LB 18N-M

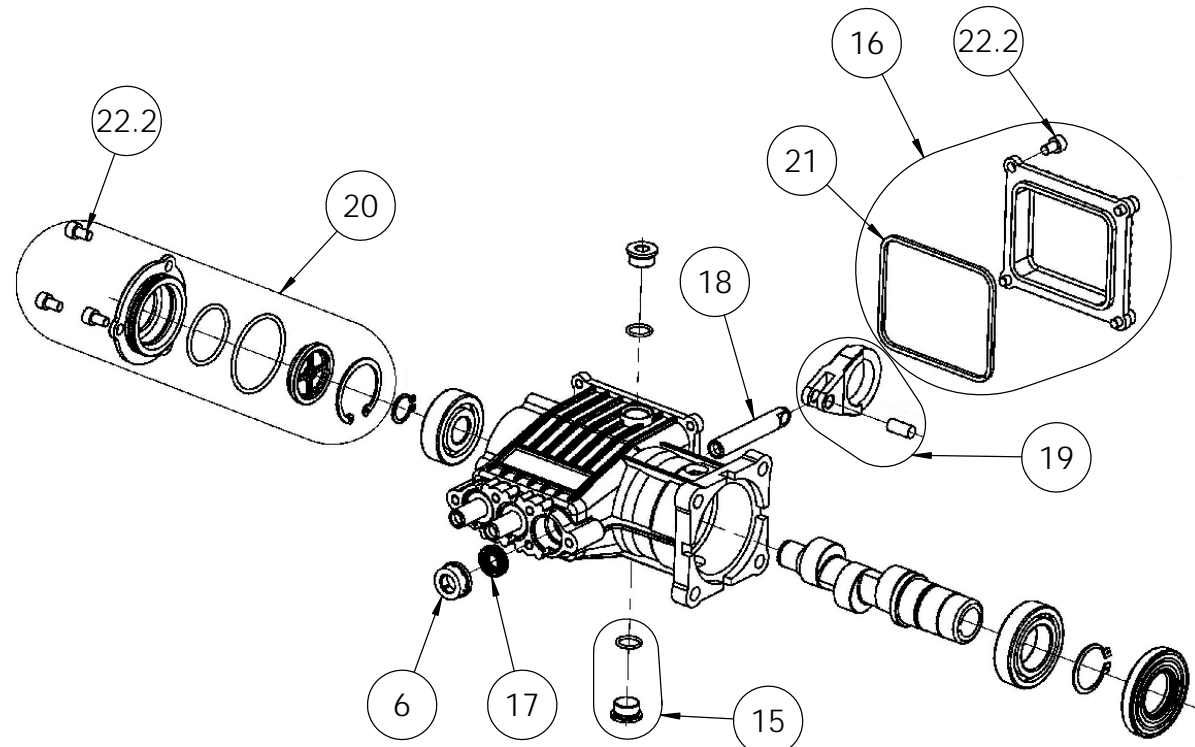


PUMP KIT, 530015 CRANKCASE
PART NO. 7110119

530015 PUMP DRAWING PARTS LIST				
ITEM	PART NO.	DESCRIPTION	QTY	COMMENT
* 14	7110128	OIL BREATHER KIT	1	
15	7110127	OIL PLUG KIT	1	TORQUE TO 155 IN-LB 18N-M
16	7110126	REAR CRANK COVER KIT	1	
17	7110124	OIL SEAL KIT	1	
18	7110115	PISTON KIT	1	
19	7110114	CONNECTING ROD KIT	1	
20	7110113	SIGHT GLASS KIT	1	

MISC PARTS, 530015

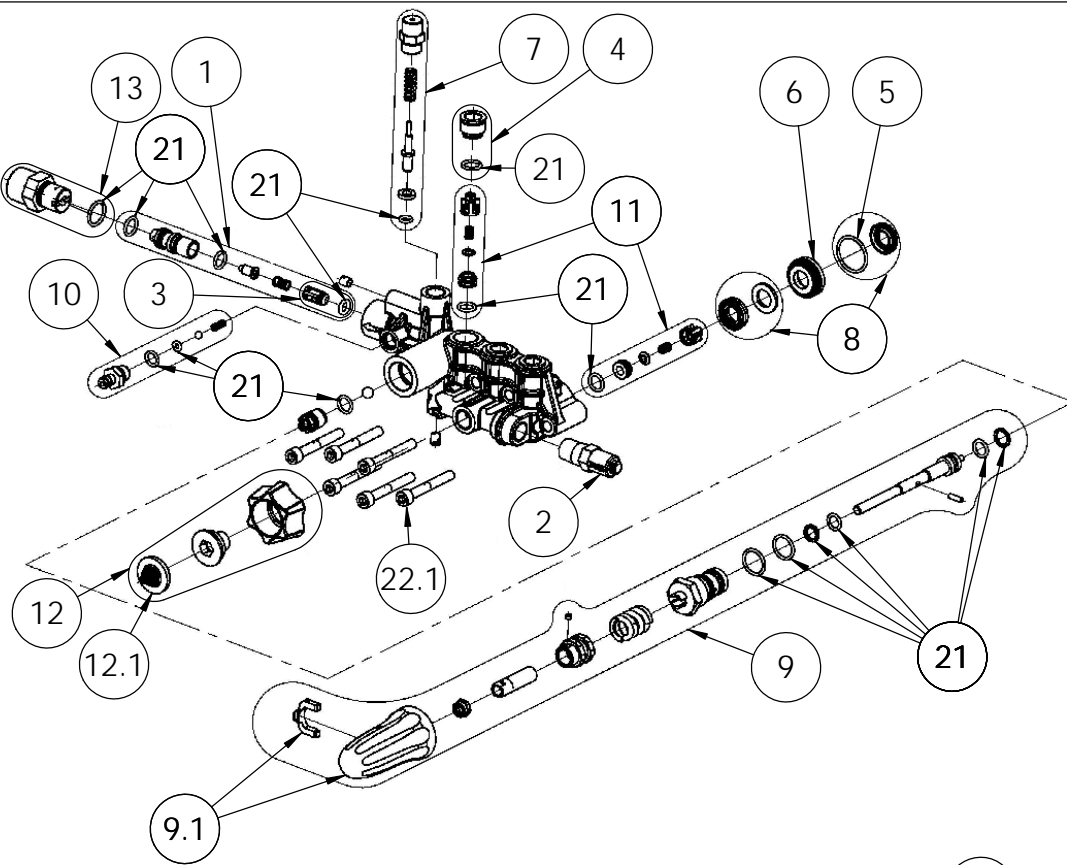
ITEM	PART NO.	DESCRIPTION	QTY	COMMENT
21	7110121	ORING KIT, COMPLETE		
22	7110122	PUMP HARDWARE KIT		
22.1		SCREW, M6*45	6	TORQUE TO 100 IN-LB 11N-M
22.2		SCREW, M6*10	7	TORQUE TO 80 IN-LB 9N-M



* NOT SHOWN

PUMP KIT, 530017
MANIFOLD PART NO. 7110118

530015 PUMP DRAWING PARTS LIST				
ITEM	PART NO.	DESCRIPTION	QTY	COMMENT
1	7110132	VENTURI KIT	1	
2	7110131	THERMAL RELIEF VALVE	1	TORQUE TO 155 IN-LB 18N-M
3	7110130	CHECK VALVE KIT	1	
4	7110129	VALVE CAP KIT	3	2 KITS REQ'D FOR THIS MODEL TORQUE TO 155 IN-LB 18N-M
5	7110125	SEAL RETAINER KIT	3	
6	7110123	SEAL SPACER KIT	3	
7	7110117	KIT, BOOST VALVE	1	TORQUE TO 155 IN-LB 18N-M
8	7110116	WATER SEAL KIT	3	
9	7110112	UNLOADER KIT	1	
9.1	7109325	UNLOADER CAP KIT	1	
10	7110111	SOAP INJECTOR KIT	1	TORQUE TO 155 IN-LB 18N-M
11	7110110	VALVE KIT	6	
12	7110329	WATER INLET KIT	1	TORQUE TO 155 IN-LB 18N-M
12.1	7110138	WATER INLET SCREEN	1	
13	7110265	SOAP INJECTOR BODY	1	TORQUE TO 155 IN-LB 18N-M

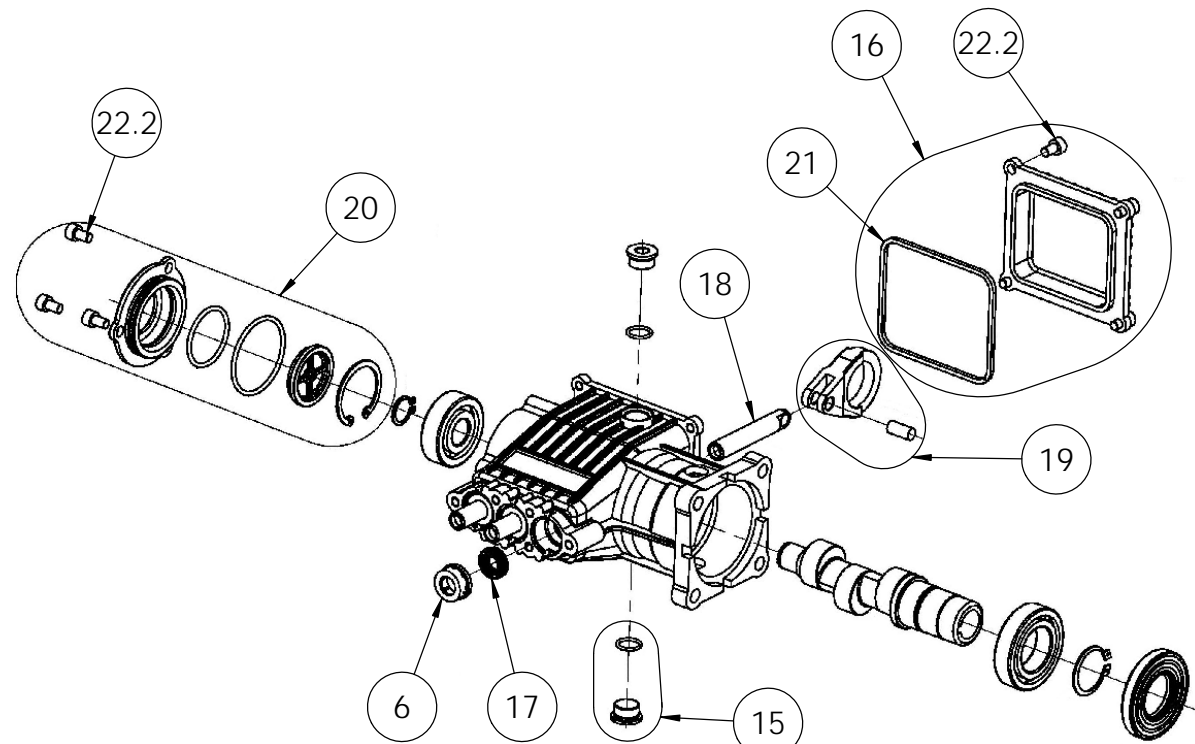


PUMP KIT, 530017 CRANKCASE
PART NO. 7110120

530015 PUMP DRAWING PARTS LIST				
ITEM	PART NO.	DESCRIPTION	QTY	COMMENT
* 14	7110128	OIL BREATHER KIT	1	
15	7110127	OIL PLUG KIT	1	TORQUE TO 155 IN-LB 18N-M
16	7110126	REAR CRANK COVER KIT	1	
17	7110124	OIL SEAL KIT	1	
18	7110115	PISTON KIT	1	
19	7110114	CONNECTING ROD KIT	1	
20	7110113	SIGHT GLASS KIT	1	

MISC PARTS, 530017

ITEM	PART NO.	DESCRIPTION	QTY	COMMENT
21	7110121	ORING KIT, COMPLETE		
22	7110122	PUMP HARDWARE KIT		
22.1		SCREW, M6*45	6	TORQUE TO 100 IN-LB 11N-M
22.2		SCREW, M6*10	7	TORQUE TO 80 IN-LB 9N-M



* NOT SHOWN