

Powermate

ILLUSTRATED PARTS BOOK

PWFT14022

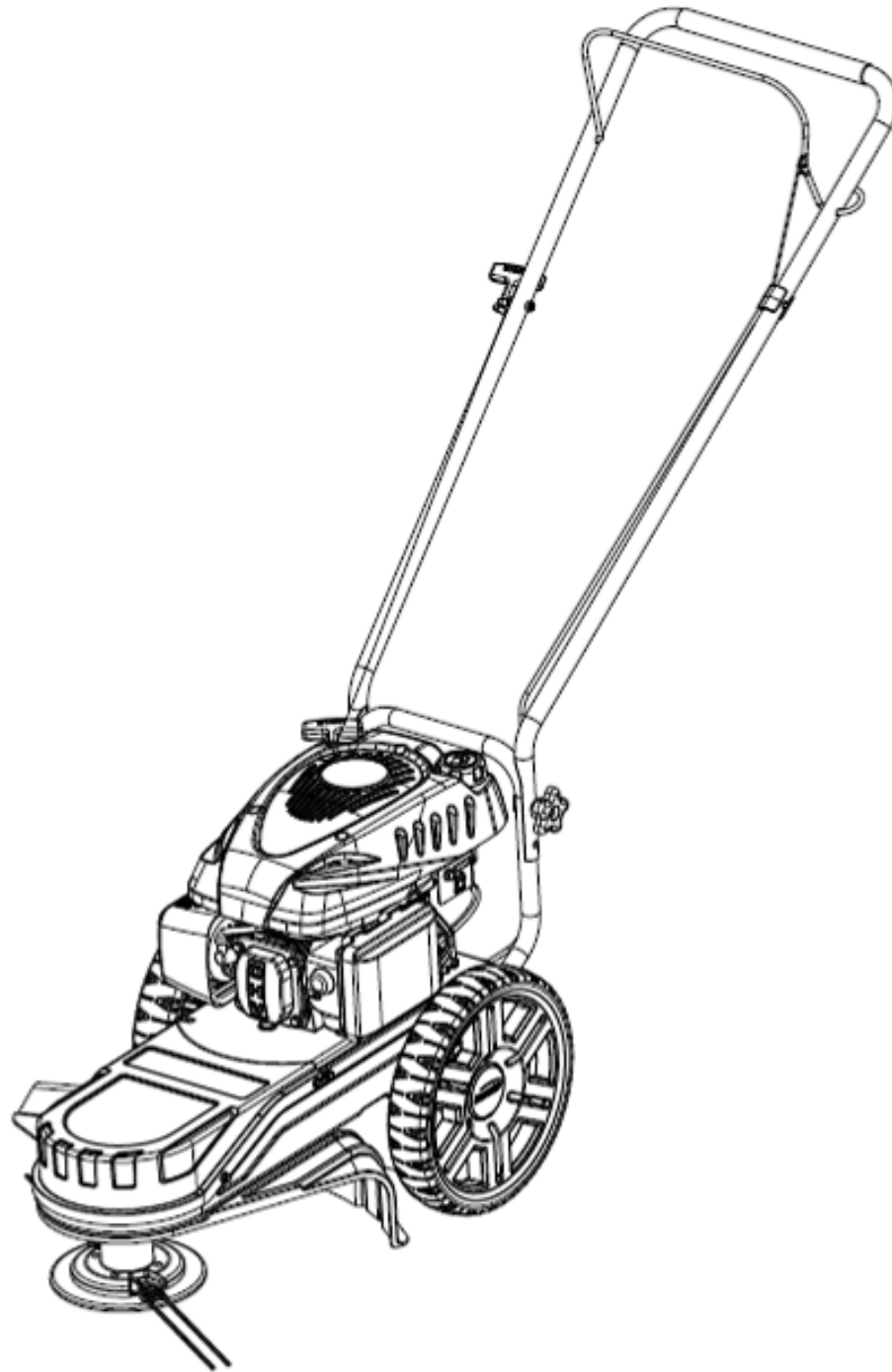
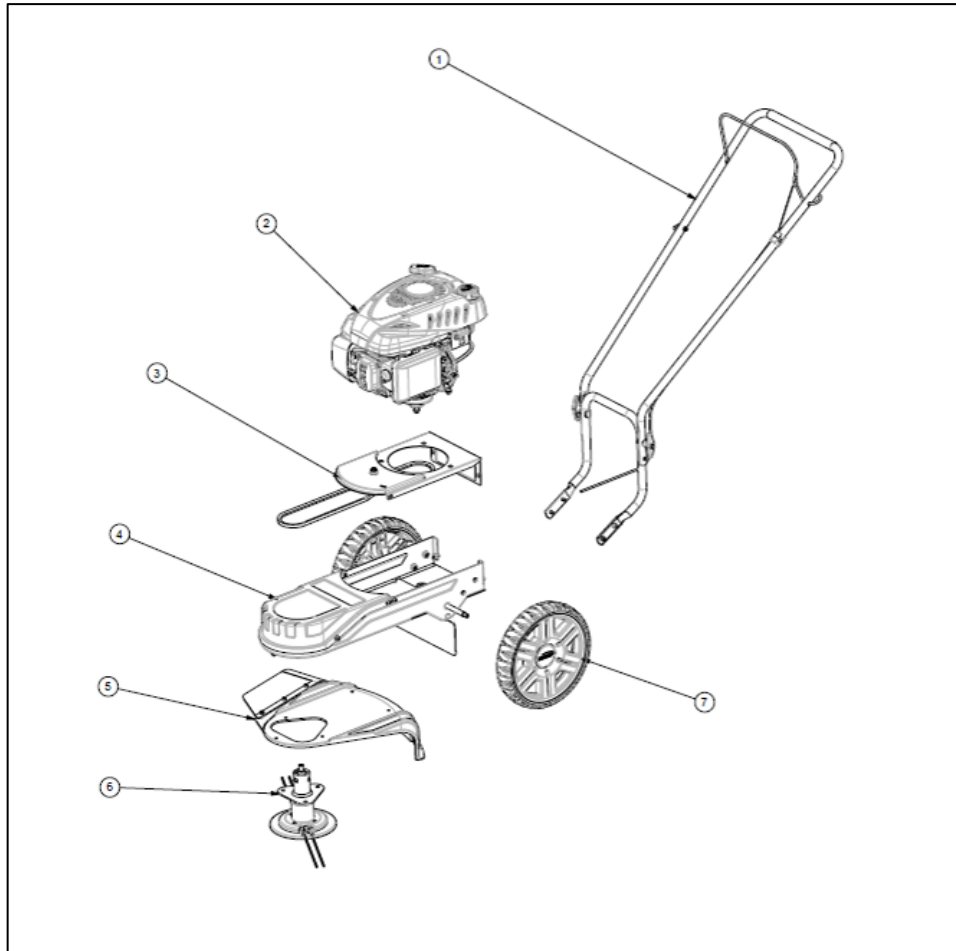


Table of Contents

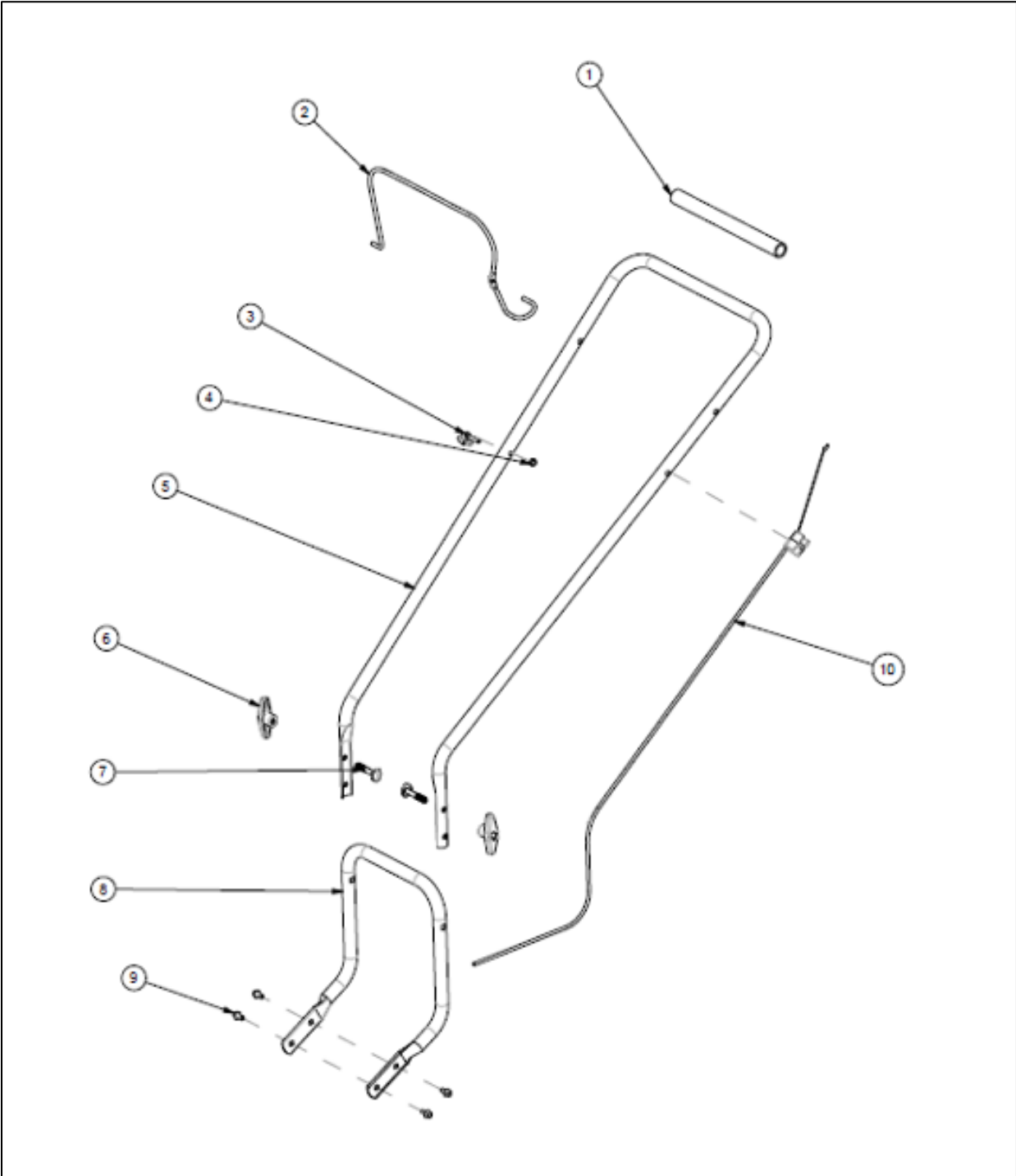
Top Level Assembly.....	2
Handle Assembly.....	3-4
Engine Assembly.....	5
Drive System.....	6
Frame Assembly.....	7
Shroud Assembly.....	8
Cutting Head Assembly.....	9-10
Wheel Assembly.....	11
<u>RV140 Engine EPA3 (A202223)</u>	
Cylinder Head.....	12
Short Block Assembly.....	13
Camshaft.....	14
Engine Shroud.....	15
Carburetor.....	16
Flywheel / Ignition.....	17
Air Cleaner.....	18
Control.....	19
Muffler.....	20
Fuel Tank.....	21
Engine Decals.....	22
Frame Decals.....	23

Top Level Assembly



REF. NO.	Description	Page	RQD
1	Handle Assembly	See Page 3-4	1
2	Engine Assembly	See Page 5	1
3	Drive System	See Page 6	1
4	Frame Assembly	See Page 7	1
5	Shroud Assembly	See Page 8	1
6	Cutting Head Assembly	See Page 9-10	1
7	Wheel Assembly	See Page 11	2
-	Engine Breakdown	See Page 12-21	1
-	Decals	See Page 22-23	1

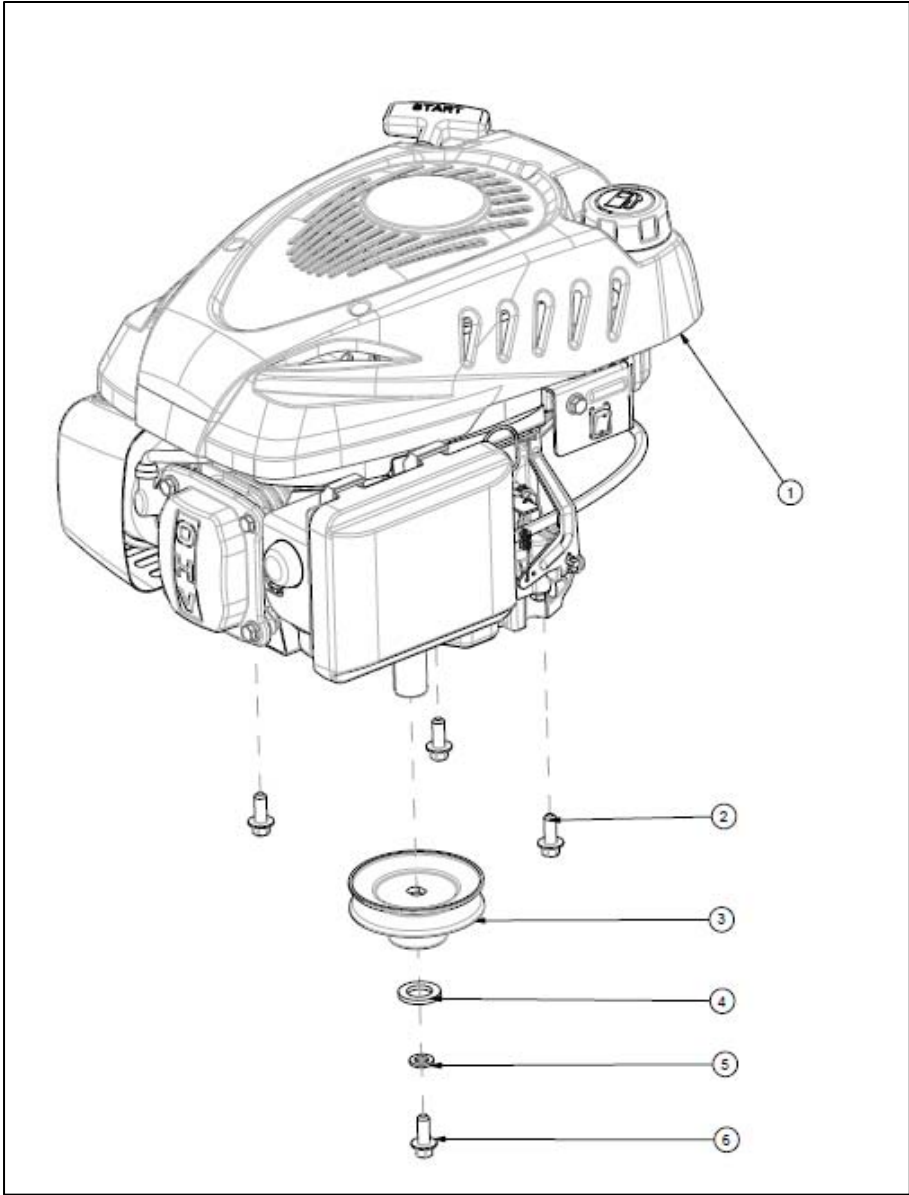
Handle Assembly



Handle Assembly

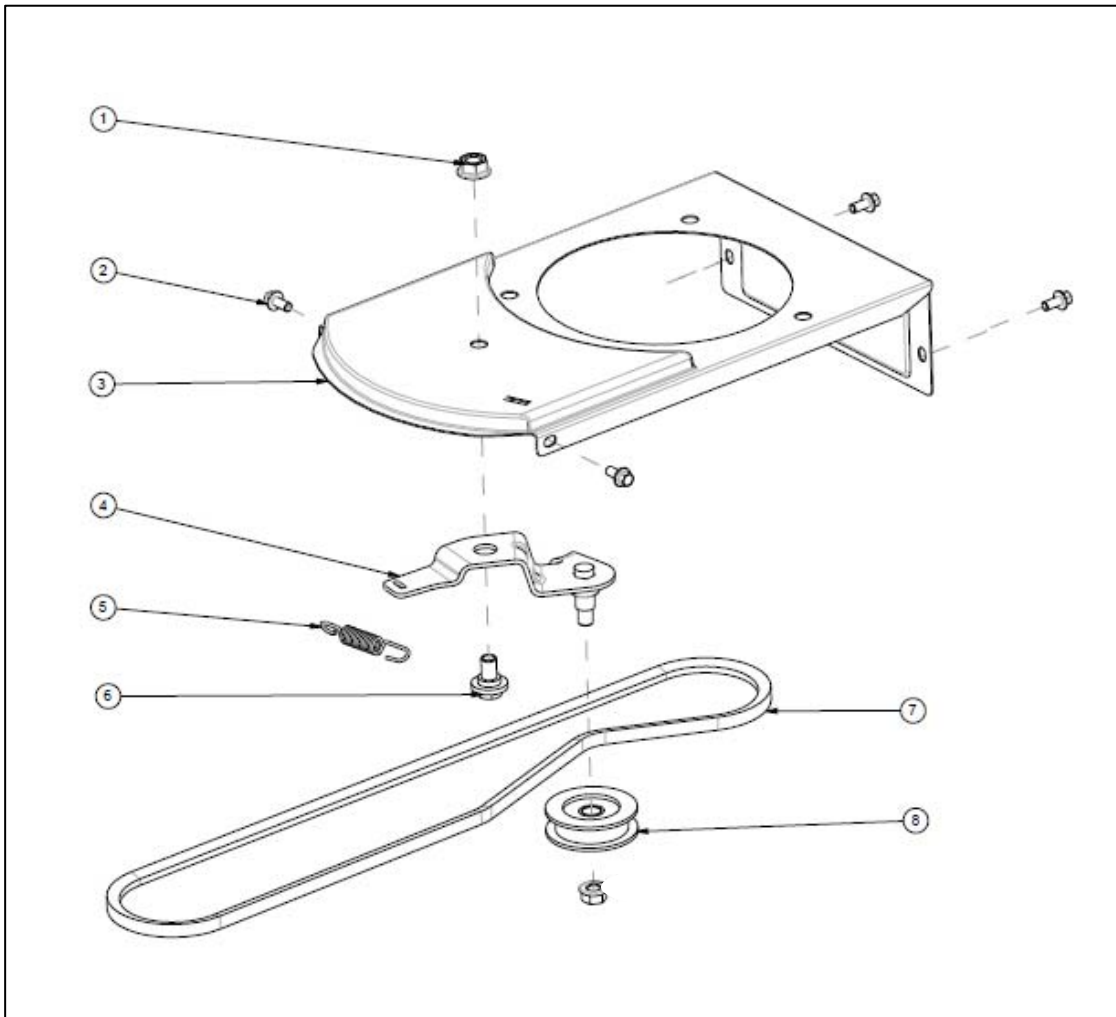
REF. NO.	Description	PART NO.	RQD
1	Foam, Handle	A201940	1
2	Bail, Engagement	A201385	1
3	Guide, Rope	A100521	1
4	¼-20, Nylon Lock Nut, Black Oxide, Grade 8	Reference Only	1
5	Handle, Upper	A201028	1
6	Knob, Handle Bar	A200190	2
7	Bolt, Handle Bar	A202629	2
8	Handle, Lower	A201027	1
9	5/16-18x0.75, Hex Serrated Flange, Thread forming Tapping Screw, Type AB Point, Black Oxide, Grade 8.8	A202424	4
10	Cable, Engagement	A201945	1

Engine Assembly (Engine Breakdown Pg 12-21)



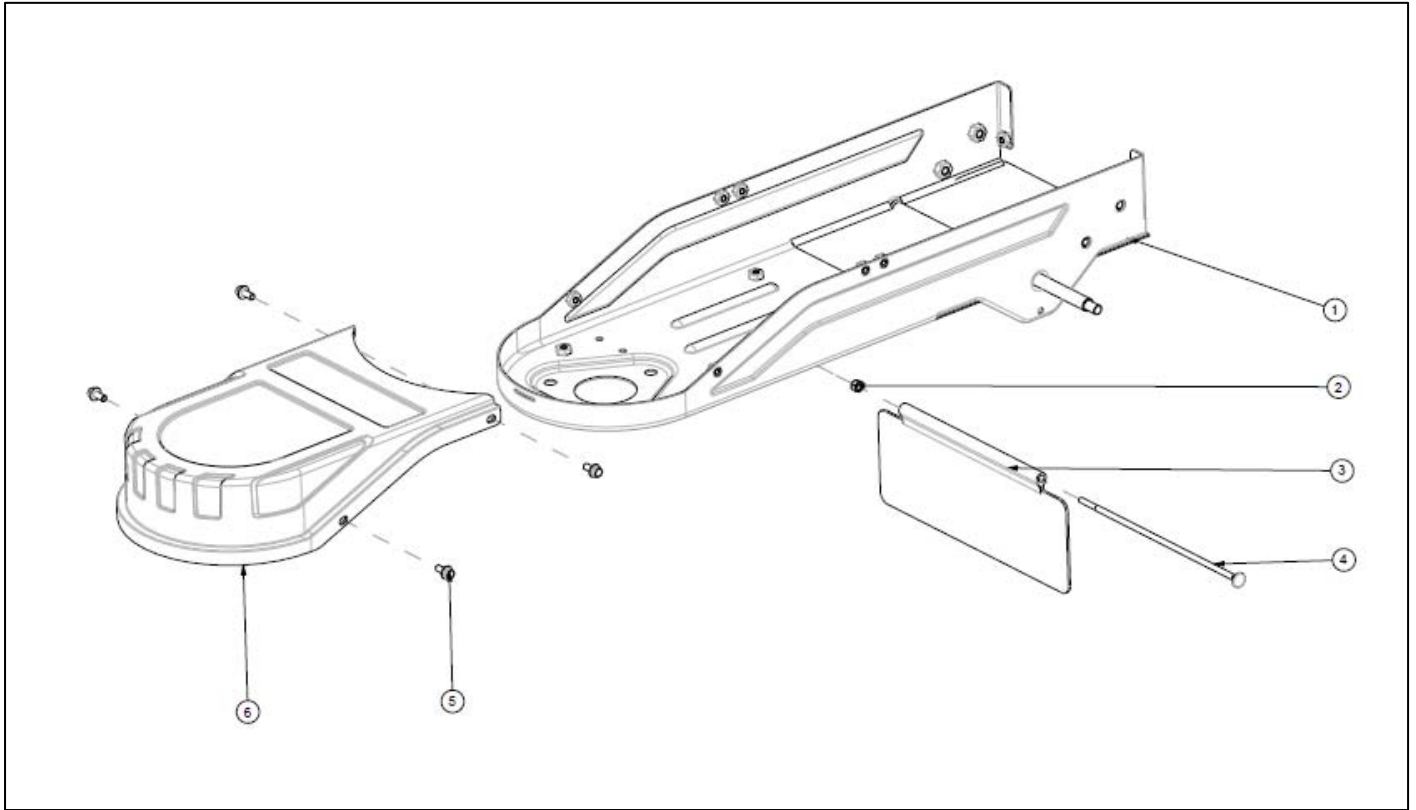
REF. NO.	Description	PART NO.	RQD
1	Engine, RV140 – EPA3	A202223	1
2	3/8-16x25, Hex Flange Head, Tri-lobular, Thread Forming Screw, Black Oxide, Grade 8.8	A202426	3
3	Pulley, Engine	A202423	1
4	10x32x3.0, Flat Washer, Zinc	Reference Only	1
5	M10 Lock Washer, Zinc	Reference Only	1
6	3/8-24x1.0, Hex Head Cap Screw, Black Oxide, Grade 10.9	A202427	1

Drive System



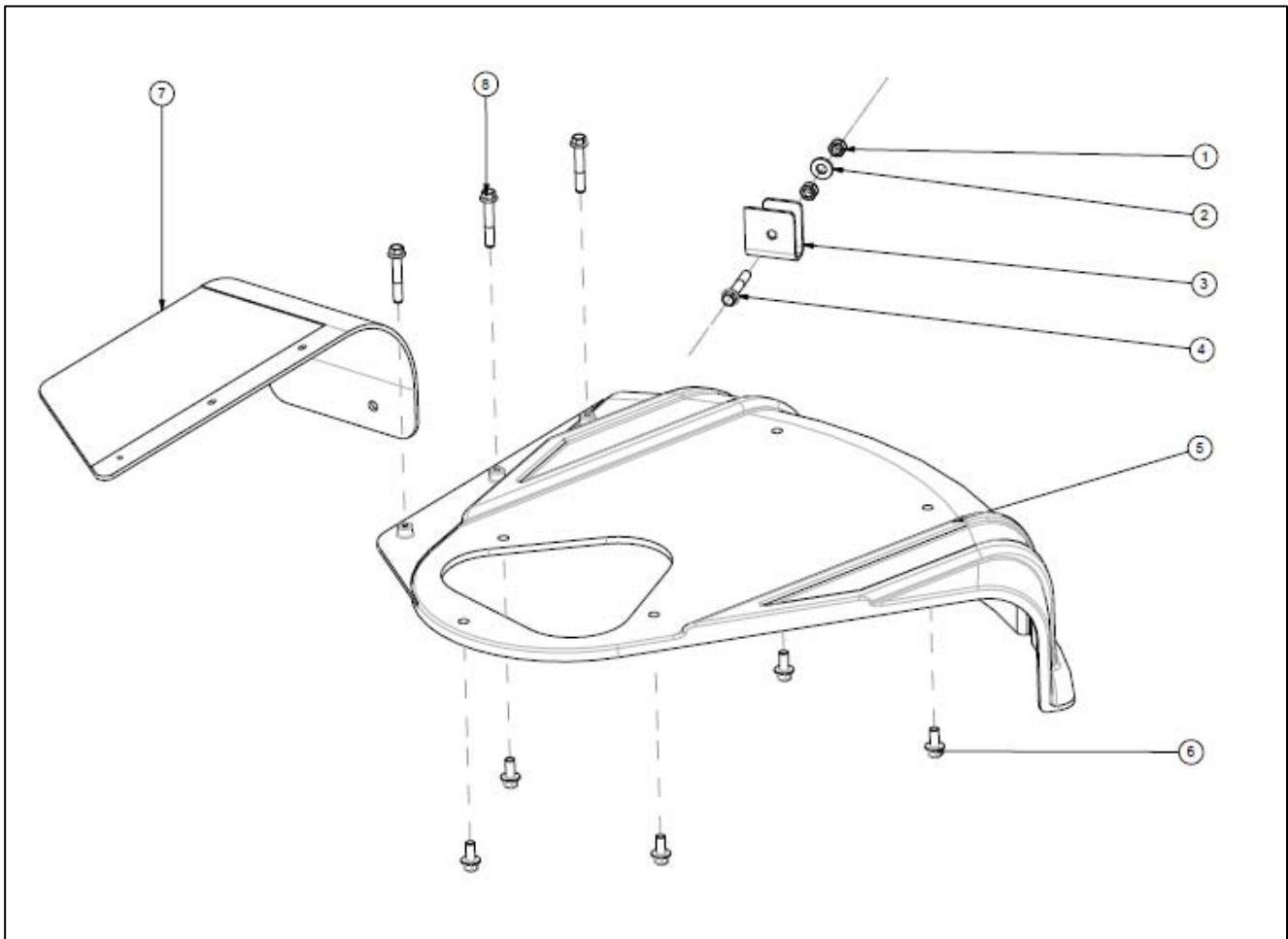
REF. NO.	Description	PART NO.	RQD
1	M10x1.5, Hex Flange Lock Nut, Zinc, Grade 8	Reference Only	2
2	M6x1.0x16, Cross-Recessed, Round Neck Machine Screw, Zinc, Grade 8.8	Reference Only	4
3	Plate, Inspection - Powermate	A201022	1
4	Weldment, Idler Bracket	A201948	1
5	Spring, Idler Tension	A202622	1
6	M10x1.25x15, Hex Flange Head W/ Shoulder (diam.15x30), Zinc, Grade 8.8	A201924	1
7	Belt, Drive – 9.5x1160	A201921	1
8	Pulley ASM, Idler	A100565	1

Frame Assembly



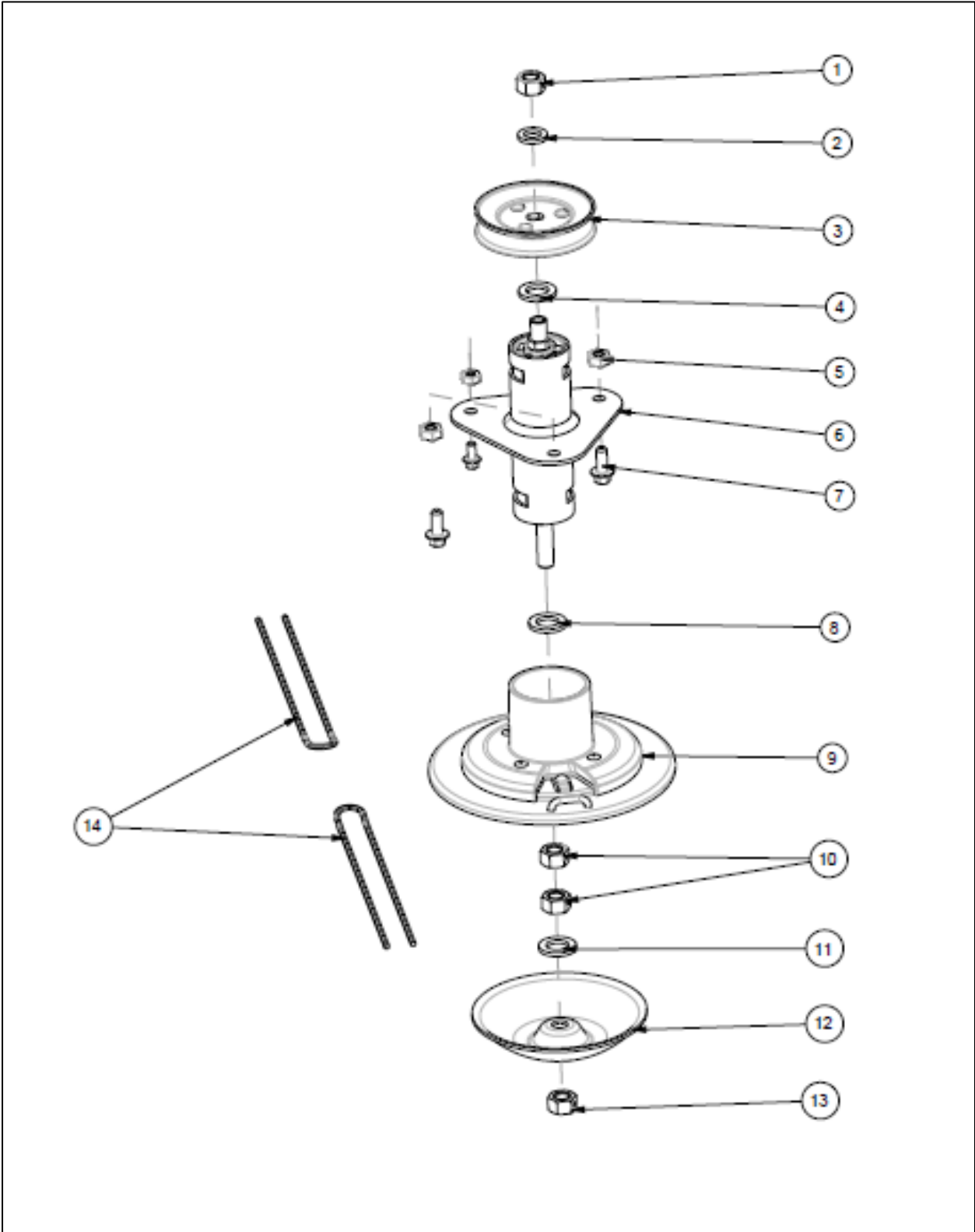
REF. NO.	Description	PART NO.	RQD
1	Frame, Weldment - Powermate	A201907	1
2	M6x1.0, Nylon Lock Nut, Zinc, Grade 8	Reference Only	1
3	Flap, Guard	A201025	1
4	Post, Flap Mount	A201024	1
5	M6x1.0x16, Cross-Recessed, Round Neck Machine Screw, Zinc, Grade 8.8	Reference Only	4
6	Cover, Base	A201029	1

Shroud Assembly



REF. NO.	Description	PART NO.	RQD
1	M6x1.0, Nylon Lock Nut, Zinc, Grade 8	Reference Only	2
2	M6x3.0 Flat Washer, Zinc	Reference Only	1
3	Blade, Line Cutting	A201910	1
4	M6x1.0x35, Hex Flange Head, Zinc, Grade 8.8	Reference Only	1
5	Shroud, Safety	A201026	1
6	M6x1.0x16, Cross-Recessed, Round Neck, Machine Screw, Zinc, Grade 8.8	Reference Only	5
7	Guard, Discharge	A202422	1
8	No. 10-16x0.5, Cross-Recessed Hex Flange, Thread Cutting Tapping Screw, Black Oxide, Grade 8.8	Reference Only	3

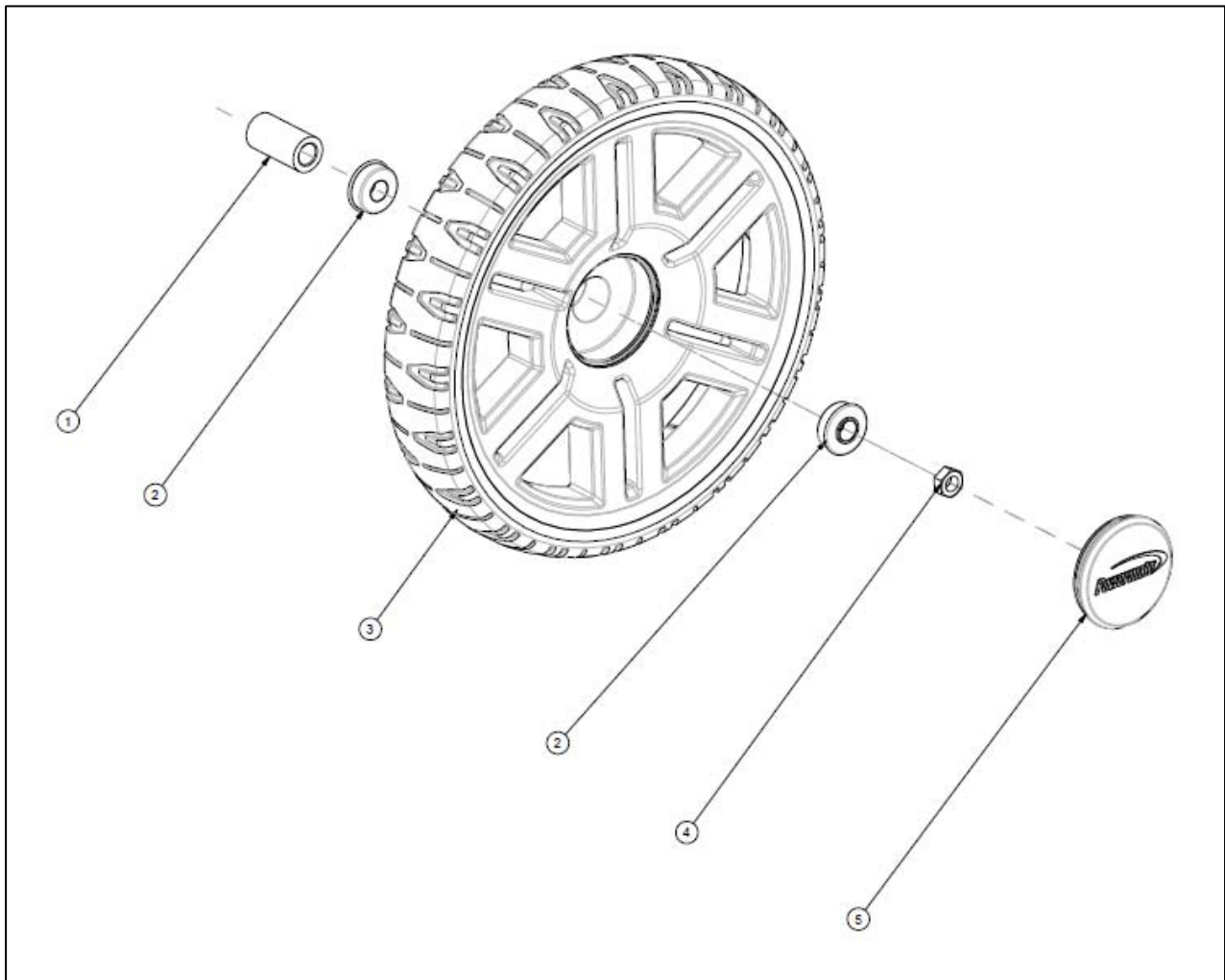
Cutting Head Assembly



Cutting Head Assembly

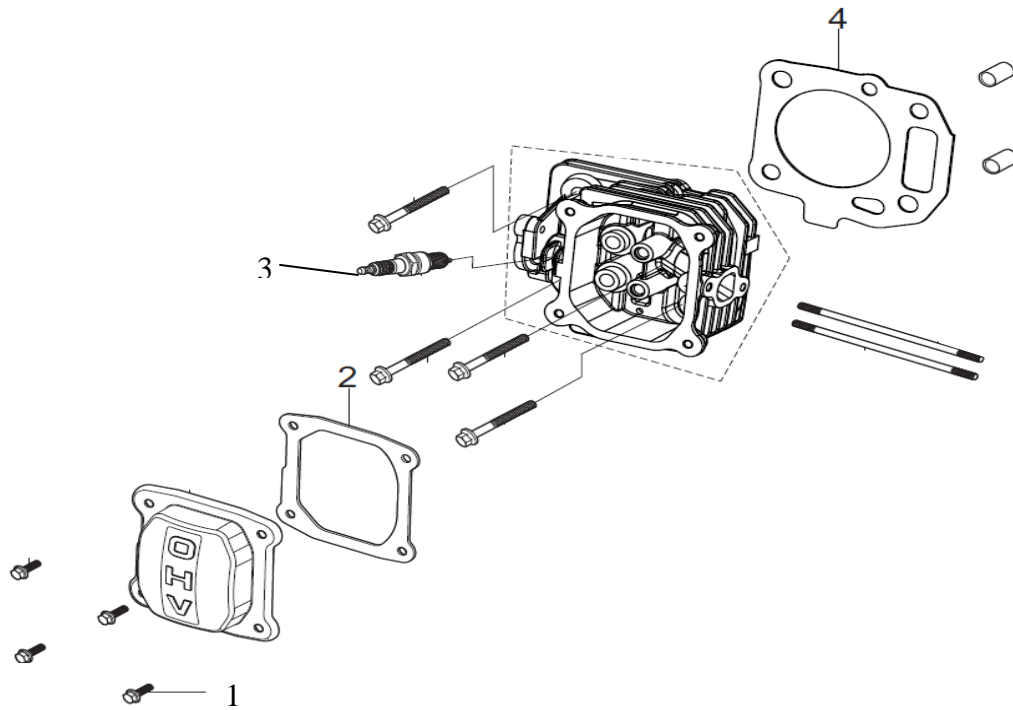
REF. NO.	Description	PART NO.	RQD
1	M12x1.25, Hex Lock Nut, Zinc, Grade 8	Reference Only	1
2	16.8x32x3.0 Flat Washer, Zinc	Reference Only	1
3	Pulley, Cutting Head	A203089	1
4	16.8x32x3.0 Flat Washer, Zinc	Reference Only	1
5	M10x1.5 Hex Lock Nut, Zinc, Grade 8	Reference Only	3
6	ASM, Cutter Head Tube	A200207	1
7	M10x1.5x20, Hex Flange Bolt, Zinc, Grade 8.8	Reference Only	3
8	M12 Flat Washer, Zinc	Reference Only	1
9	ASM, Cutter Head - Powermate	A201912	1
10	M12x1.25, Hex Lock Nut, Zinc, Grade 8	Reference Only	2
11	M12 Flat Washer, Zinc	Reference Only	1
12	Bowl, Cutter Head	A200206	1
13	M12x1.25, Hex Lock Nut, Zinc, Grade 8	Reference Only	1
14	Line, Trimmer (0.155")	Reference Only	2

Wheel Assembly



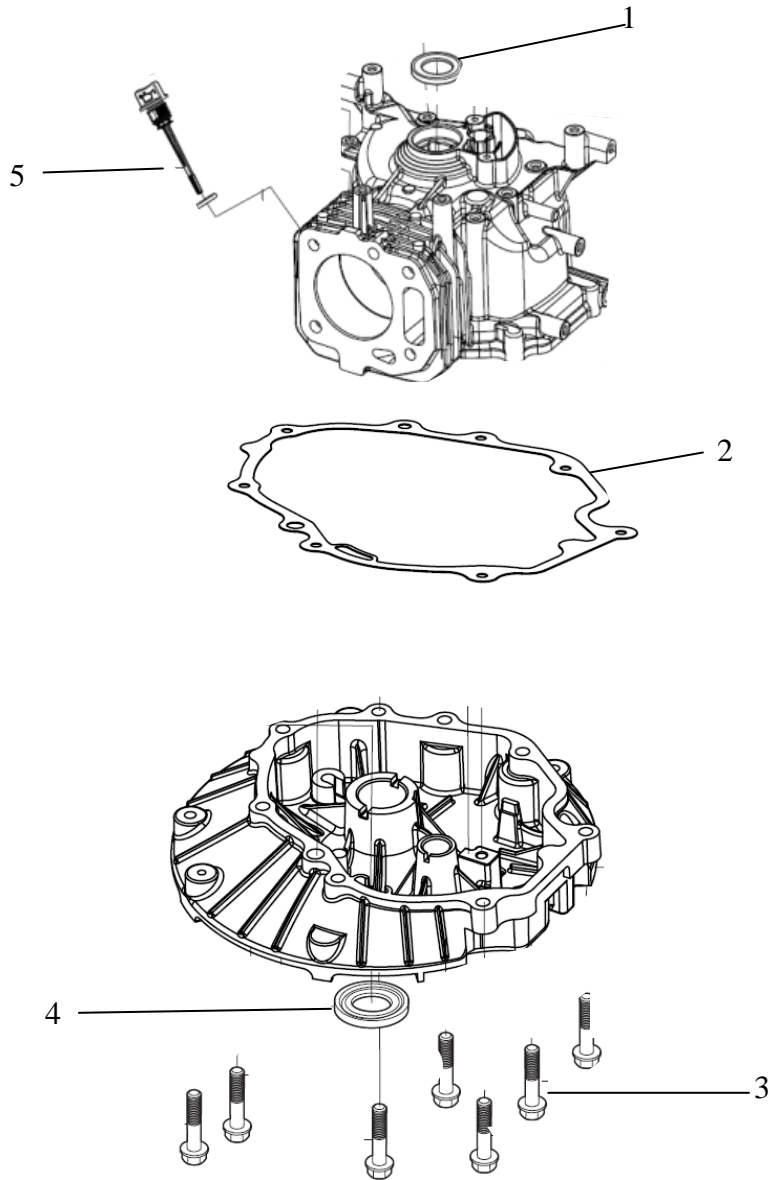
REF. NO.	NAME	PART NO.	RQD
1	Spacer, Wheel	A201023	2
2	Bearing, Wheel	A100560	4
3	ASM, 12" Wheel, 6 Spoke	A201387	2
4	M10x1.5 Flange Lock Nut, Zinc, Grade 8	Reference Only	2
5	Hubcap, 12" Wheel - Powermate	A201386	2

Cylinder Head



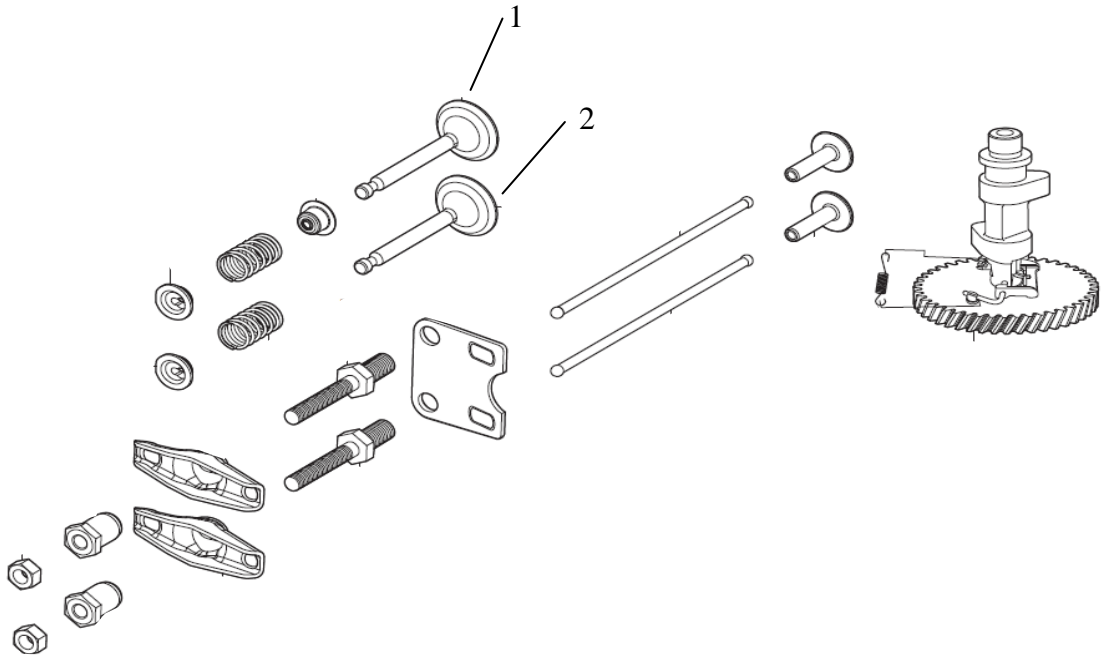
REF. NO.	DESCRIPTION	PART NO.	RQD
1	M6x1.0x12, Hex Flange Bolt, Zinc, Grade 8.8	Reference Only	4
2	Gasket, Valve Cover	A201567	1
3	Plug, Spark (Torch F7TC, NGK BPGES, Champion RN9YC4)	A201233	1
4	Gasket, Cylinder Head	A201569	1

Short Block Assembly



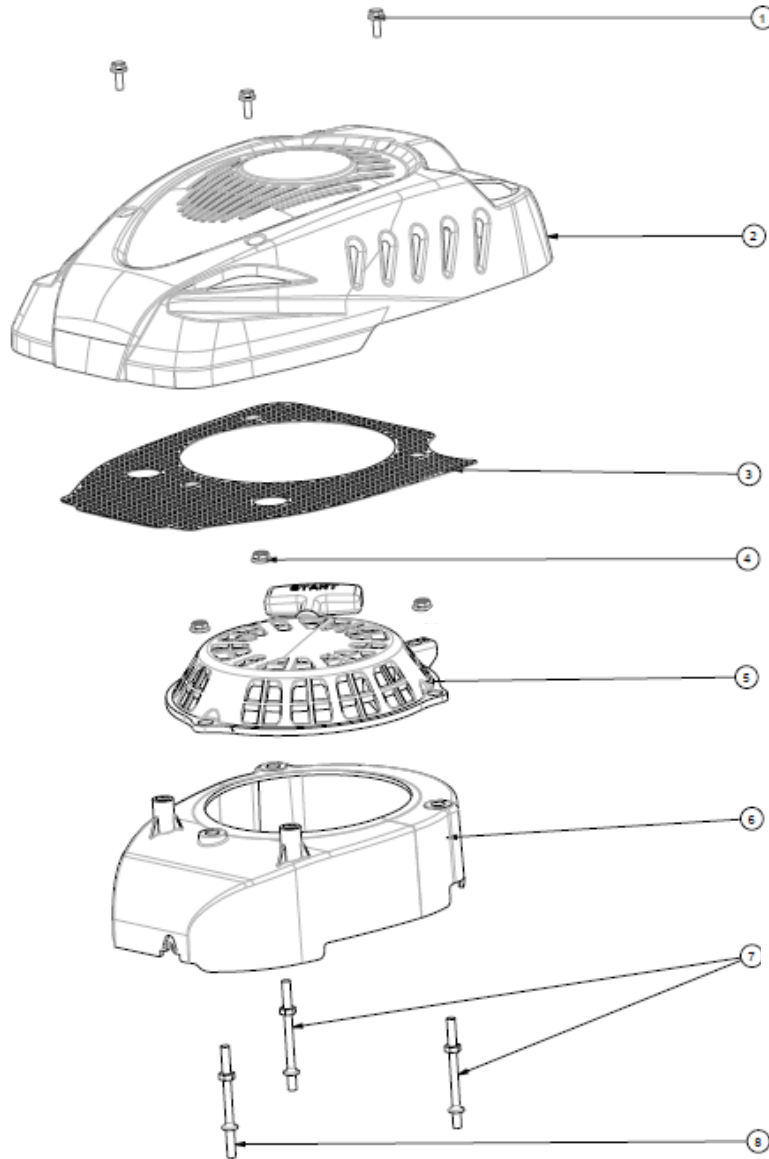
REF. NO.	DESCRIPTION	PART NO.	RQD
1	Seal, Oil	A201581	1
2	Gasket, Crankcase	A201592	1
3	M6x1.0x27, Hex Flange Bolt, Zinc, Grade 8.8	Reference Only	7
4	Seal, Oil	A201599	1
5	Sub Assembly, Oil Dipstick	A201577	1

Camshaft



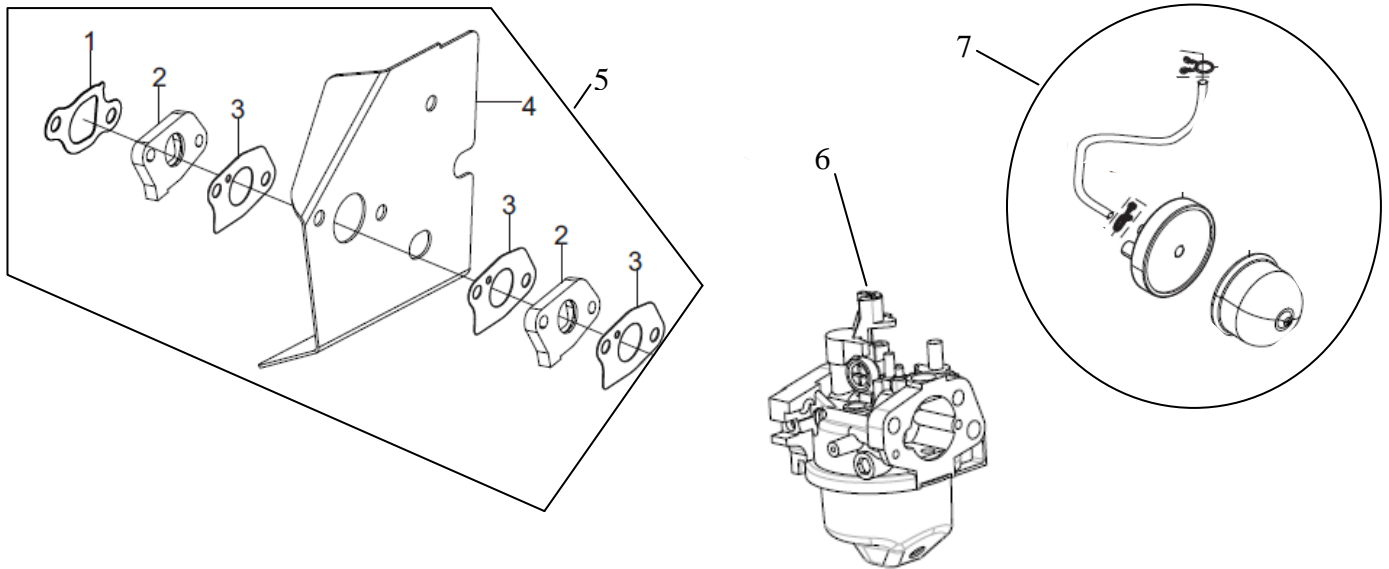
REF. NO.	DESCRIPTION	PART NO.	RQD
1	Valve, Intake	A201627	1
2	Valve, Exhaust	A201633	1

Engine Shroud



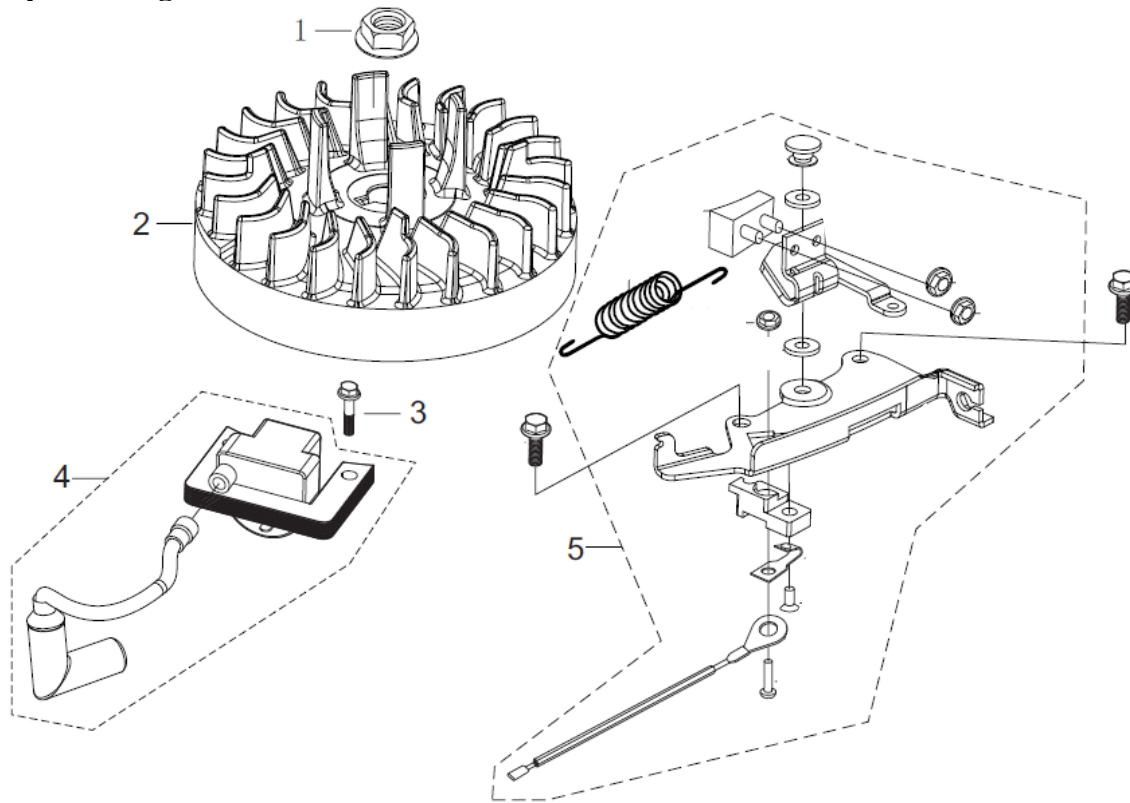
REF. NO.	DESCRIPTION	PART NO.	RQD
1	Bolt, Housing	A201637	3
2	Shroud, Engine	A203032	1
3	Shroud, Debris	A202476	1
4	M6x1.0 Hex Flange Nut, Zinc, Grade 8	Reference Only	3
5	ASM, Recoil Starter	A201653	1
6	Shroud, Recoil ASM	A201636	1
7	Stud, Recoil Shroud – 1	A201638	2
8	Stud, Recoil Shroud – 2	A201639	1

Carburetor



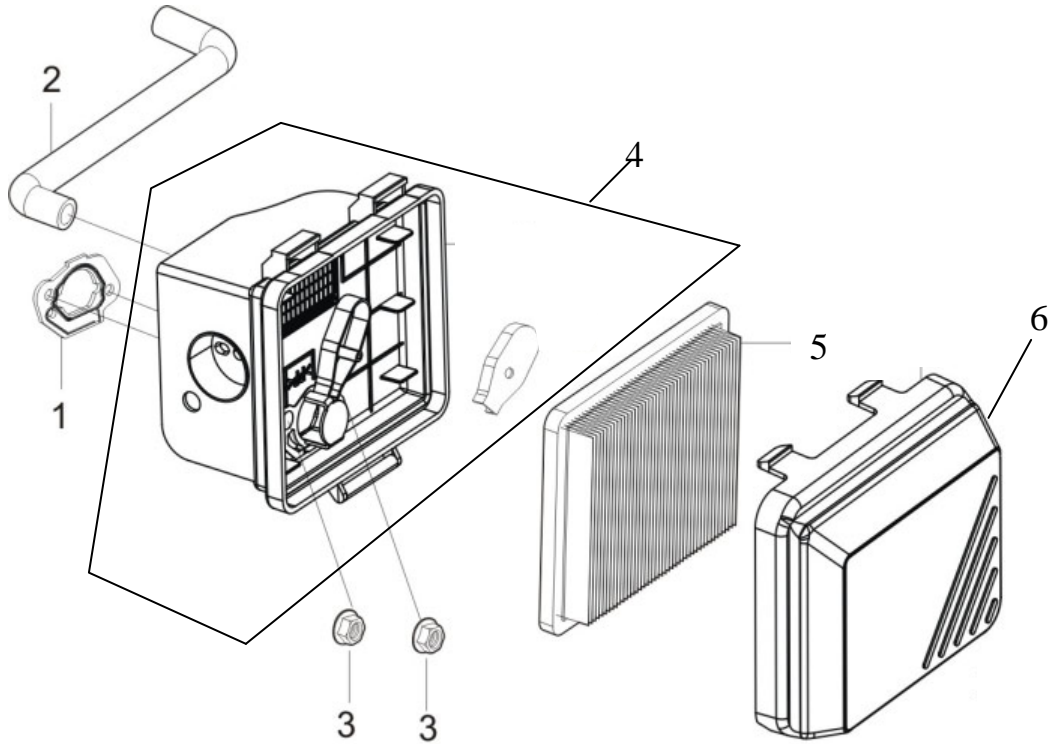
REF. NO.	DESCRIPTION	PART NO.	RQD
1	Gasket, Insulator	<i>Reference Only</i>	1
2	Spacer, Gasket	<i>Reference Only</i>	2
3	Gasket, Carburetor	<i>Reference Only</i>	3
4	Heat Shield, Carburetor	<i>Reference Only</i>	1
5	Kit, Carburetor Gasket (Incl. #1-4)	A201659	1
6	ASM, Carburetor	A201658	1
7	ASM, Primer Bulb	A201683	1

Flywheel / Ignition



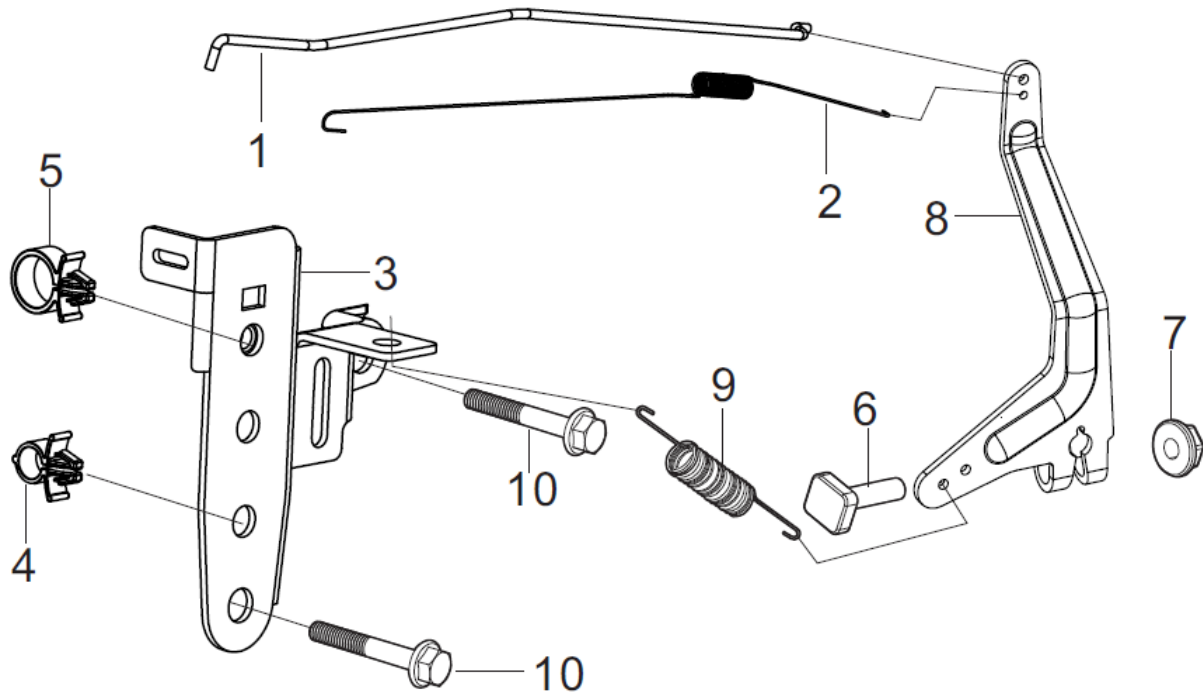
REF. NO.	DESCRIPTION	PART NO.	RQD
1	M14x1.5 Serrated Hex Flange Nut, Zinc, Grade 8	<i>Reference Only</i>	1
2	Flywheel	A202477	1
3	M6x1.0x25 Hex Flange Bolt, Zinc, Grade 8.8	<i>Reference Only</i>	2
4	Module, Ignition	A202478	1
5	ASM, Engine Brake	A202479	1

Air Cleaner



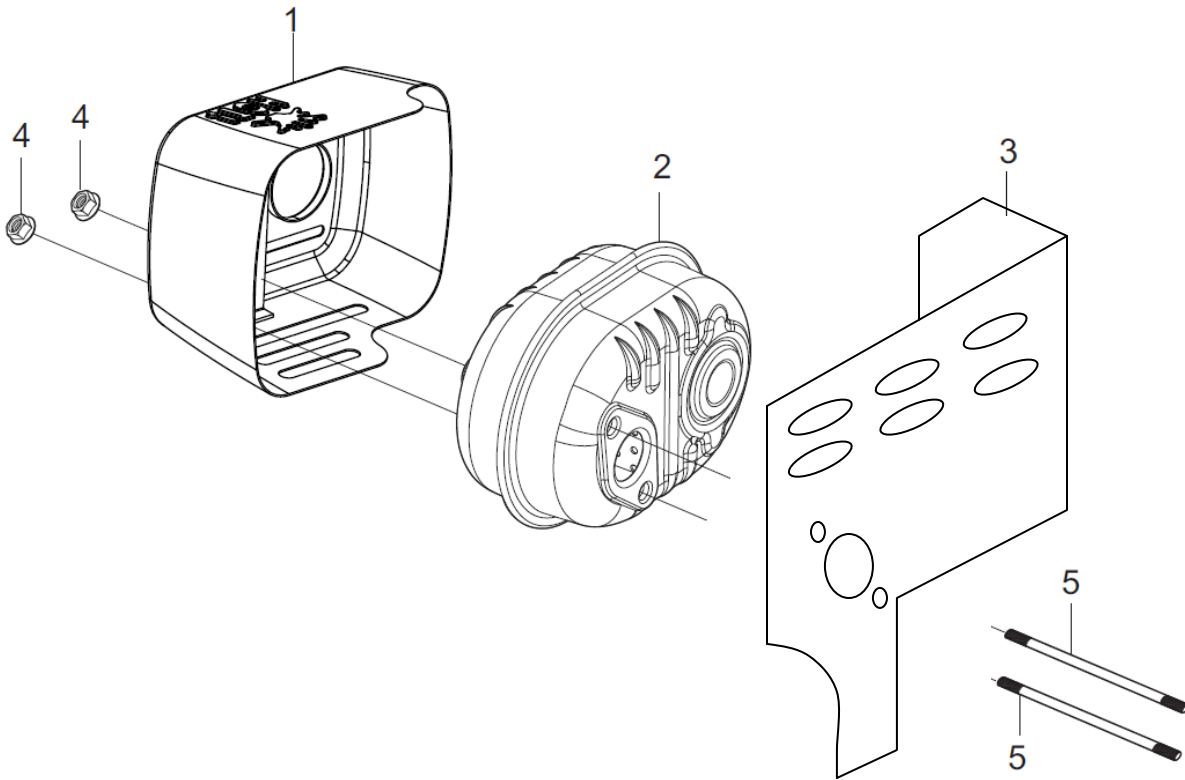
REF. NO.	DESCRIPTION	PART NO.	RQD
1	Gasket, Air Filter	A201696	1
2	Tube, Breather	A201697	1
3	M6x1.0 Flange Nut, Zinc, Grade 8	<i>Reference Only</i>	2
4	Kit, Air Filter Housing	A201763	1
5	Element, Filter	A201700	1
6	Cover, Air Filter	A201764	1

Control



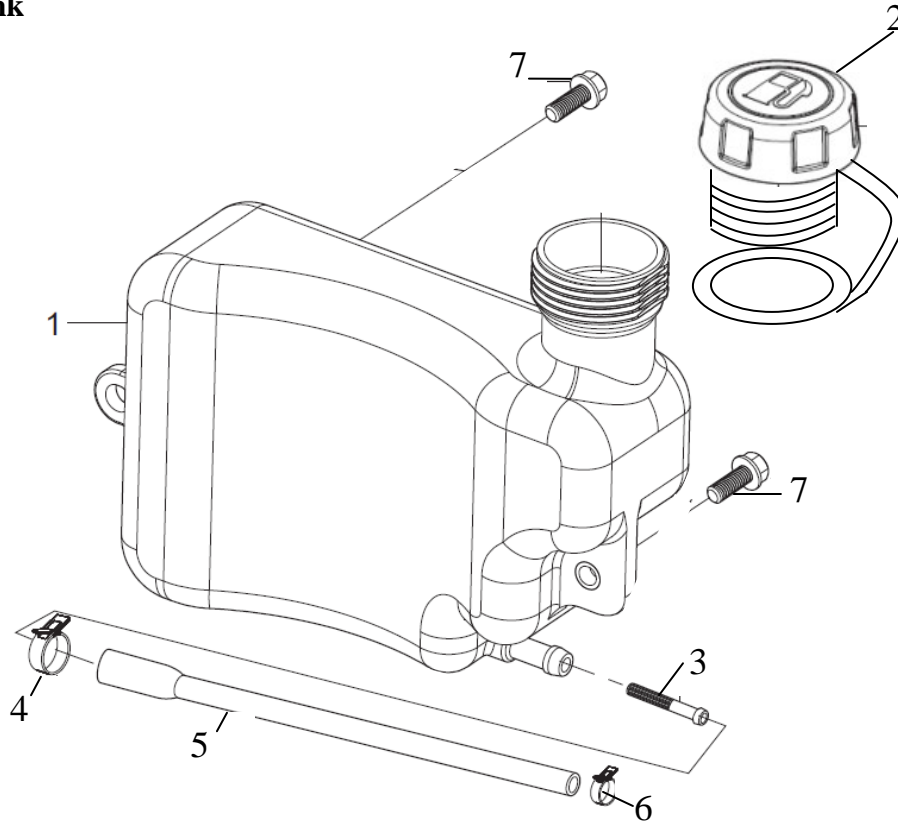
REF. NO.	DESCRIPTION	PART NO.	RQD
1	Rod, Governor	A201702	1
2	Spring, Throttle Return	A201703	1
3	Bracket, Throttle Control	<i>Reference Only</i>	1
4	Clip – 1	<i>Reference Only</i>	1
5	Clip – 2	<i>Reference Only</i>	1
6	Bolt, Governor Arm	<i>Reference Only</i>	1
7	Nut, Governor	<i>Reference Only</i>	1
8	Arm, Governor	<i>Reference Only</i>	1
9	Spring, Governor	A201710	1
10	M6x1.0x12 Hex Flange Bolt, Zinc, Grade 8.8	<i>Reference Only</i>	2

Muffler



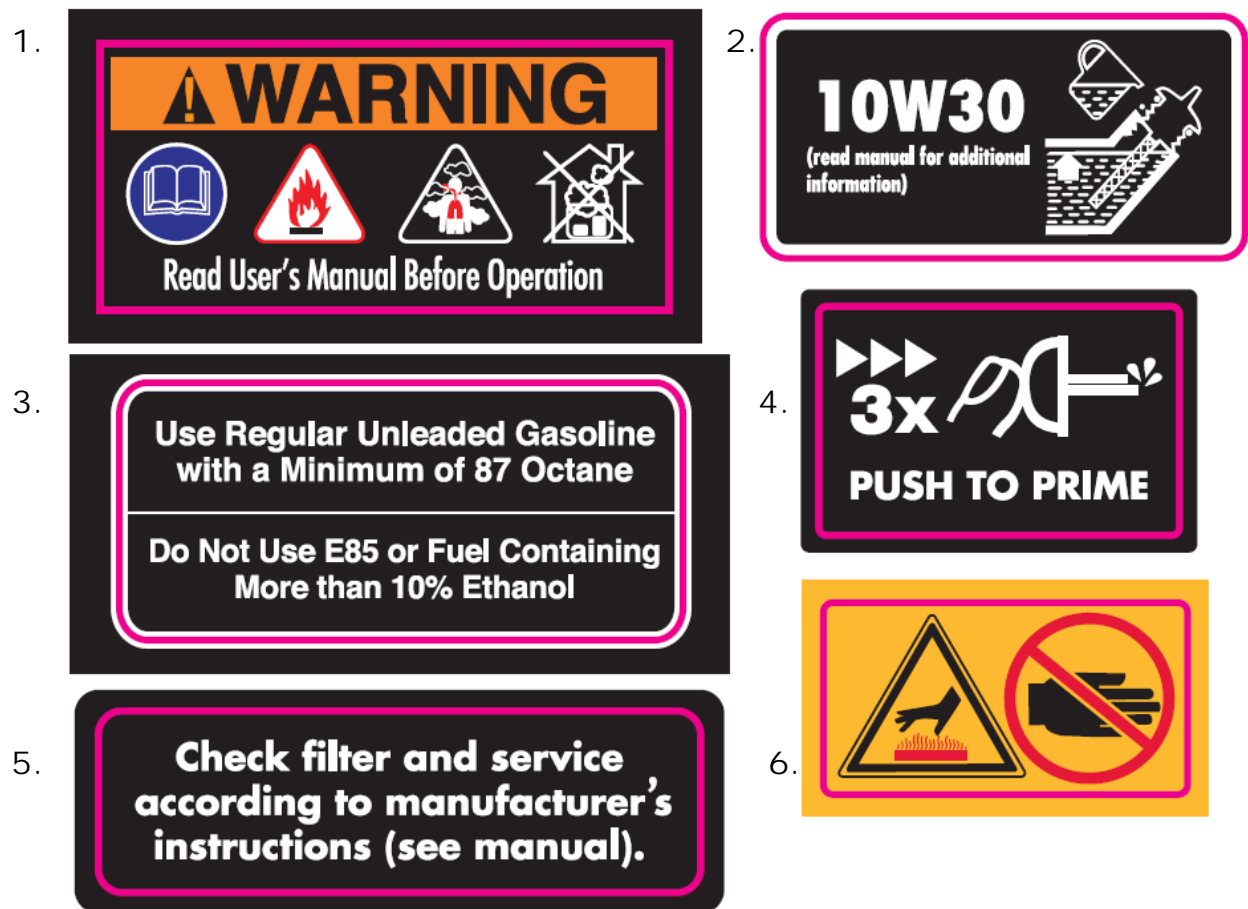
REF. NO.	DESCRIPTION	PART NO.	RQD
1	Shield, Muffler	A201712	1
2	ASM, Muffler	A201713	1
3	Gasket, Muffler	A202481	1
4	M6x1.0 Hex Flange Nut, Zinc, Grade 8	<i>Reference Only</i>	2
5	Stud, Muffler	A201716	2

Fuel Tank



REF. NO.	DESCRIPTION	PART NO.	RQD
1	Tank, Fuel	A201717	1
2	Cap, Fuel – EPA3	A202482	1
3	Filter, Fuel	<i>Reference Only</i>	1
4	Clamp, Fuel Line – 1	<i>Reference Only</i>	1
5	Line, Fuel	A201724	1
6	Clamp, Fuel Line – 2	<i>Reference Only</i>	1
7	M6x1.0x14 Hex Flange Head Bolt, Zinc, Grade 8.8	<i>Reference Only</i>	2

Engine Decals



REF. NO.	DESCRIPTION	PART NO.	RQD
1	Decal, Warning-Owner's Manual	A202483 (Includes 1 each of all decals shown above)	1
2	Decal, Oil Fill		1
3	Decal, Fuel Usage		1
4	Decal, Primer		1
5	Decal, Air Filter Maintenance		1
6	Decal, Hot Surface Warning		1

Frame Decals



REF. NO.	DESCRIPTION	PART NO.	RQD
1	Decal, Powermate Rear Logo	A202484 (Includes 1 each of all decals shown above)	1
2	Decal, Powermate Belt Cover Logo		1
3	Decal, Powermate Engine Logo		1
4	Decal, Unit Specifications		1
5	Decal, Unit Usage Warning		1
6	Decal, Unit Maintenance Warning		1