



OPERATOR'S MANUAL

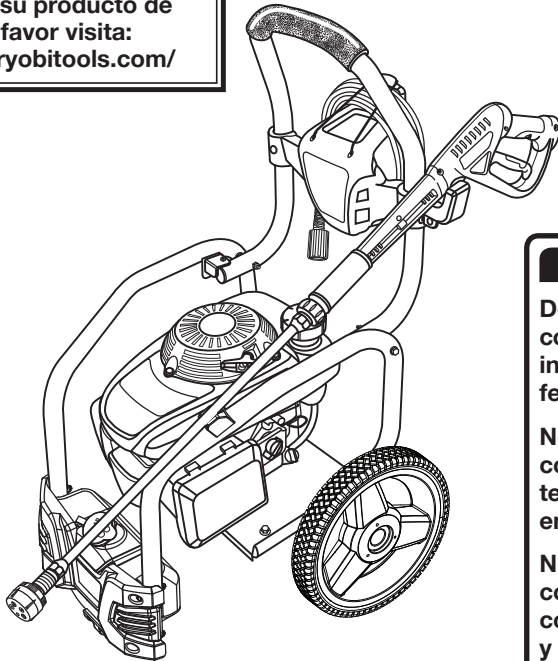
MANUEL D'UTILISATION
MANUAL DEL OPERADOR

3100 PSI PRESSURE WASHER NETTOYEUR HAUTE PRESSION DE 3 100 PSI LAVADORA A PRESIÓN DE 3 100 PSI RY80940 Series/série/serie

To register your Ryobi product, please visit:
<http://register.ryobitools.com/>

Pour enregistrer votre produit de Ryobi, s'il vous plaît la visite:
<http://register.ryobitools.com/>

Para registrar su producto de Ryobi, por favor visita:
<http://register.ryobitools.com/>



NOTICE	AVIS	AVISO
<p>Do not use E15 or E85 fuel (or fuel containing greater than 10% ethanol) in this product. It is a violation of federal law and will damage the unit and void your warranty.</p>		
<p>Ne pas utiliser d'essence E15 ou E85 (ou un carburant contenant plus de 10 % d'éthanol) dans ce produit. Une telle utilisation représente une violation de la loi fédérale et endommagera l'appareil et annulera la garantie.</p>		
<p>No utilice combustibles E15 o E85 (ni combustibles que contengan más de 10 % de etanol) con este producto. Esto constituye una violación a la ley federal, dañará la unidad y anulará la garantía.</p>		

Your pressure washer has been engineered and manufactured to our high standard for dependability, ease of operation, and operator safety. When properly cared for, it will give you years of rugged, trouble-free performance.

WARNING: To reduce the risk of injury, the user must read and understand the operator's manual before using this product.

SAVE THIS MANUAL FOR FUTURE REFERENCE

Ce nettoyeur haute pression a été conçu et fabriqué conformément aux strictes normes de fiabilité, simplicité d'emploi et sécurité d'utilisation. Correctement entretenu, il vous donnera des années de fonctionnement robuste et sans problème.

Su lavadora a presión ha sido diseñada y fabricada de conformidad con las estrictas normas para brindar fiabilidad, facilidad de uso y seguridad para el operador. Con el debido cuidado, le brindará muchos años de sólido y eficiente funcionamiento.

AVERTISSEMENT : Pour réduire les risques de blessures, l'utilisateur doit lire et veiller à bien comprendre le manuel d'utilisation avant d'utiliser ce produit.

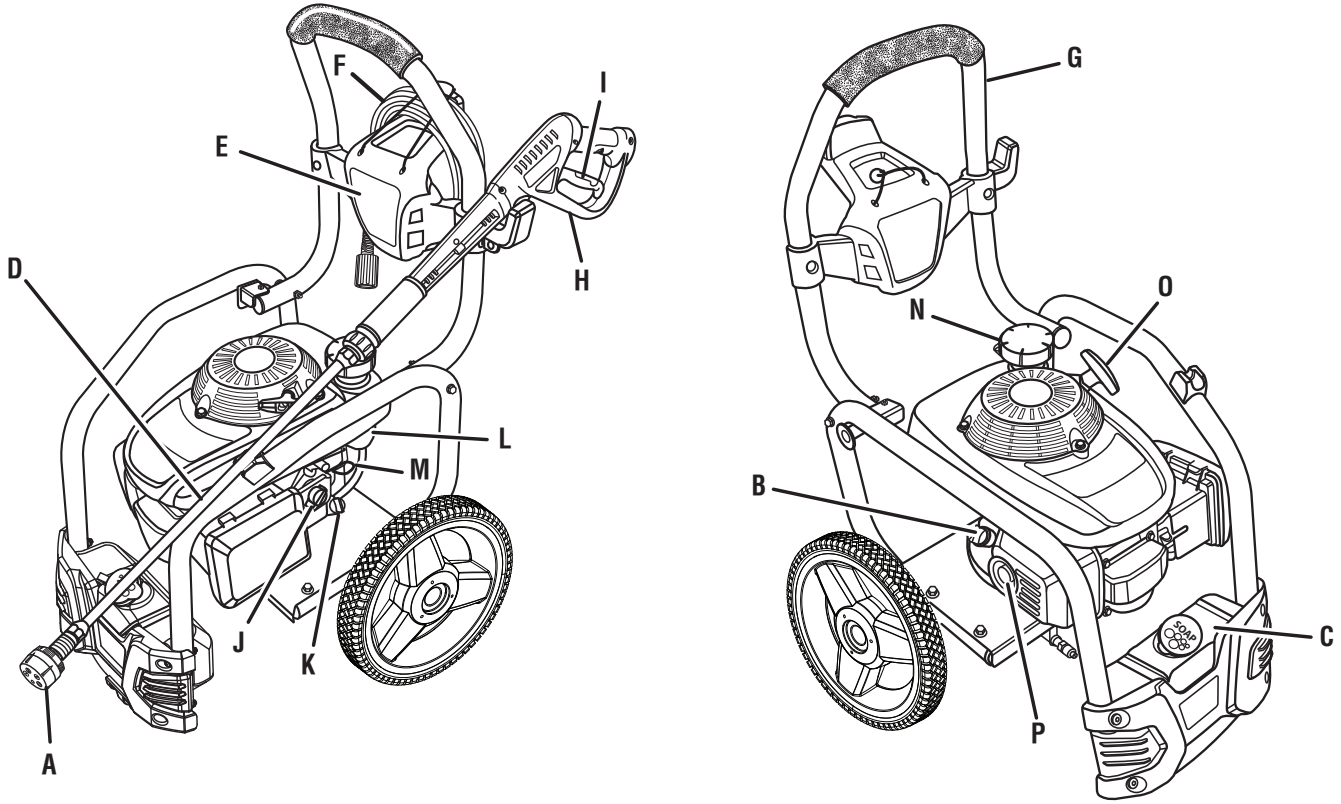
ADVERTENCIA: Para reducir el riesgo de lesiones, el usuario debe leer y comprender el manual del operador antes de usar este producto.

CONSERVER CE MANUEL POUR FUTURE RÉFÉRENCE

GUARDE ESTE MANUAL PARA FUTURAS CONSULTAS

See this fold-out section for all the figures referenced in the operator's manual.
Consulter l'encart à volets afin d'examiner toutes les figures mentionnées dans le manuel d'utilisation.
Vea esta sección de la página desplegable para todas las figuras mencionó en el manual del operador.

Fig. 1



- A - 5-in-1 change over nozzle (buse à permutation 5 en 1, boquilla intercambiable 5 en 1)
- B - Oil cap/dipstick (bouchon / jauge d'huile, tapa del aceite con varilla de nivel)
- C - Detergent tank (réservoir de détergent, tanque de detergente)
- D - Spray wand (lance de pulvérisation, tubo rociador)
- E - Hose storage (rangement de tuyau, almacenamiento de la manguera)
- F - High pressure hose (tuyau haute pression, manguera de alta presión)
- G - Handle (poignée, mango)
- H - Trigger handle (poignée à gâchette, mango del gatillo)

- I - Trigger with lock out (gâchette avec verrou, gatillo con seguro)
- J - On/off switch (commutateur marche/arrêt, interruptor de encendido/apagado)
- K - Fuel valve (robinet de carburant, válvula de combustible)
- L - Fuel tank (réservoir de carburant, tanque del combustible)
- M - Choke lever (levier de volet de départ, palanca del anegador)
- N - Fuel cap (bouchon du réservoir, tapa del tanque de combustible)
- O - Starter grip and rope (poignée du lanceur avec corde, mango del arracador con cuerda)
- P - Muffler (silencieux, silenciador)

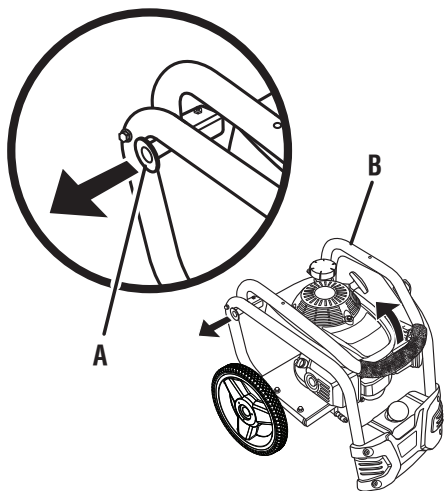
Fig. 2



- A - Phillips screwdriver (tournevis phillips, destornillador phillips)

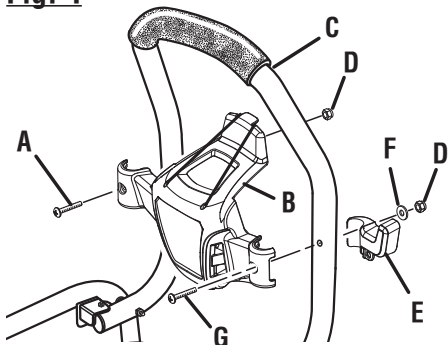
- B - Combination wrench (clé mixte, llave de combinación)

Fig. 3



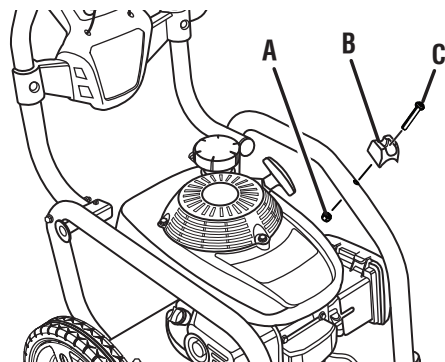
- A - Handle release knob (bouton de dégagement de la poignée, perilla de liberación del mango)
- B - Handle (poignée, mango)

Fig. 4



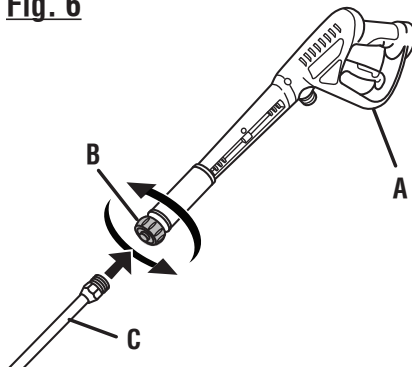
- A - Shoulder bolt (short) [boulon à épaulement (court), perno de cuello grueso (corto)]
- B - Hose storage (rangement de tuyau, almacenamiento de la manguera)
- C - Handle (poignée, mango)
- D - Hex nut (écrou hexagonal, tuerca hexagonal)
- E - Trigger handle holder (support de la poignée à gâchette, almacenamiento de mango del gatillo)
- F - Washer (rondelle, arandela)
- G - Shoulder bolt (long) [boulon à épaulement (longue), perno de cuello grueso (largo)]

Fig. 5



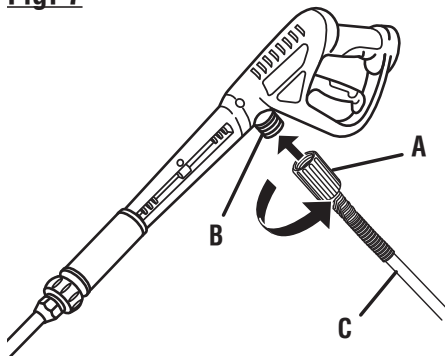
- A - Hex nut (écrou hexagonal, tuerca hexagonal)
- B - Spray wand holder (support de la lance d'arrosage, soporte del tubo rociador)
- C - Screw (vis, tornillo)

Fig. 6



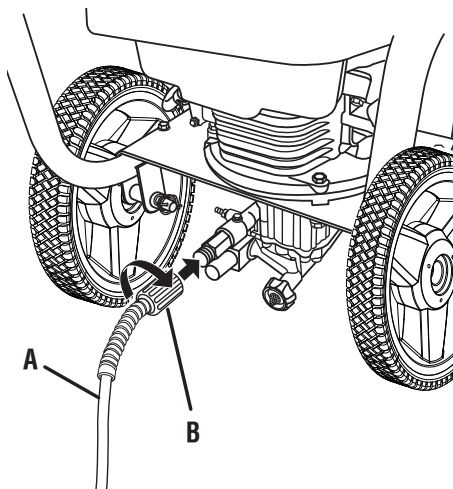
- A - Trigger handle (poignée à gâchette, mango del gatillo)
- B - Connector (connecteur, conector)
- C - Spray wand (lance de pulvérisation, tubo rociador)

Fig. 7



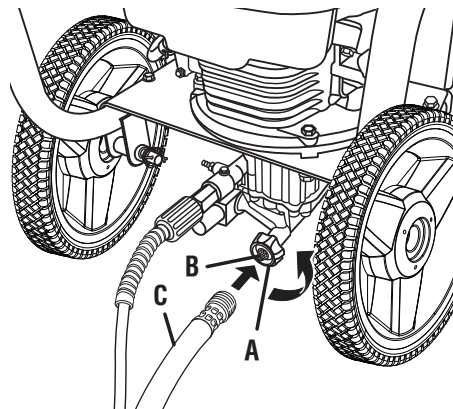
- A - Collar (collier, casquillo)
- B - Inlet coupler (raccord d'entrée, acoplador de entrada)
- C - High pressure hose (tuyau haute pression, manguera de alta presión)

Fig. 8



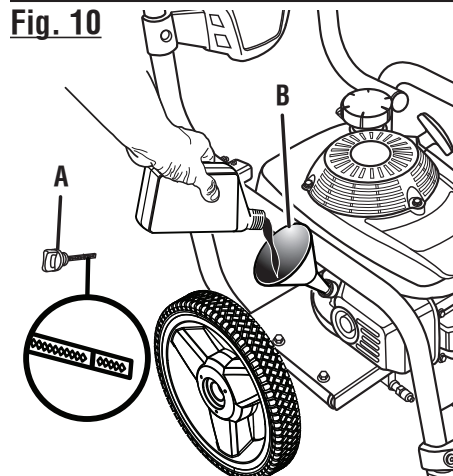
- A - High pressure hose (tuyau haute pression, manguera de alta presión)
- B - Collar (collier, casquillo)

Fig. 9



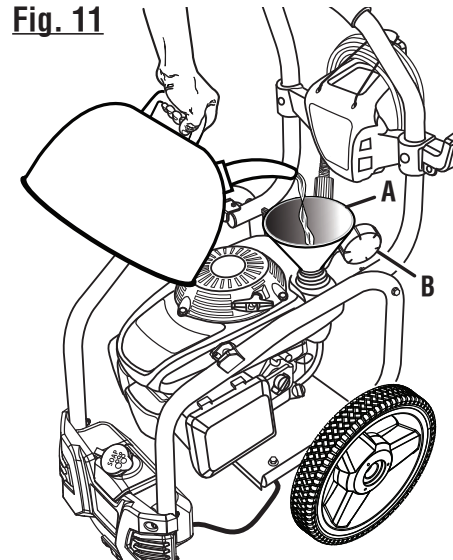
- A - Water intake (prise d'eau, entrada de agua)
- B - Screen (tamis, cedazo)
- C - Garden hose (tuyau d'arrosage, manguera de jardín)

Fig. 10



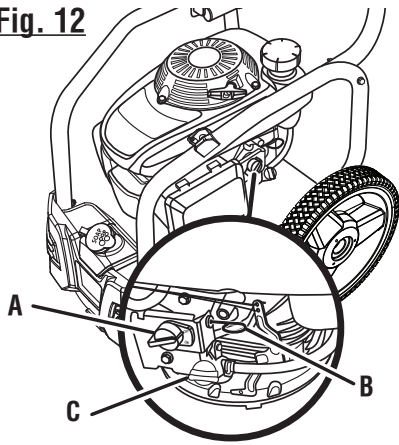
- A - Oil cap/dipstick (bouchon / jauge d'huile, tapa del aceite con varilla de nivel)
- B - Funnel (entonnoir, embudo)

Fig. 11



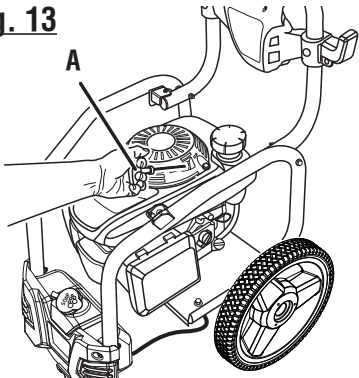
- A - Funnel (entonnoir, embudo)
- B - Fuel cap (bouchon de carburant, tapa del tanque de combustible)

Fig. 12



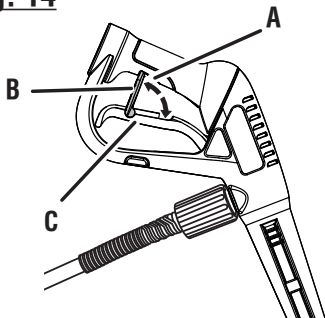
- A - On/off switch (commutateur marche / arrêt, interruptor de encendido/apagado)
- B - Choke lever (levier de volet de départ, palanca del anegador)
- C - Fuel valve (robinet de carburant, válvula de combustible)

Fig. 13



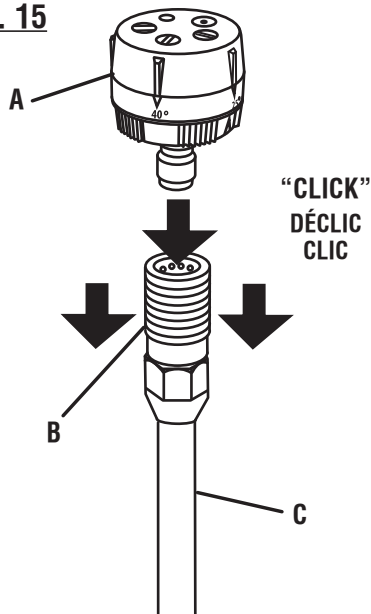
- A - Starter grip and rope (poignée du lanceur avec corde, mango del arrancador con cuerda)

Fig. 14



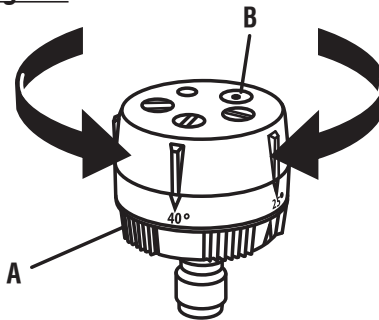
- A - Slot (encoche, ranura)
- B - Lock out (verrouillage, seguro)
- C - Trigger (gâchette, gatillo)

Fig. 15



- A - 5-in-1 change over nozzle (buse à permutation 5 en 1, boquilla intercambiable 5 en 1)
- B - Quick-connect collar (collier à ressort, casquillo de conexión rápida)
- C - Spray wand (lance de pulvérisation, tubo rociador)

Fig. 16



- A - 5-in-1 change over nozzle (buse à permutation 5 en 1, boquilla intercambiable 5 en 1)
- B - Spray selector (sélecteur de jets, selector de rociado)

Fig. 17



- A - Long range detergent [☛] (détergent à longue portée [☛], detergente de gran alcance [☛])
- B - Short range detergent [♥] (détergent à courte portée [♥], detergente corto alcance [♥])

Fig. 18

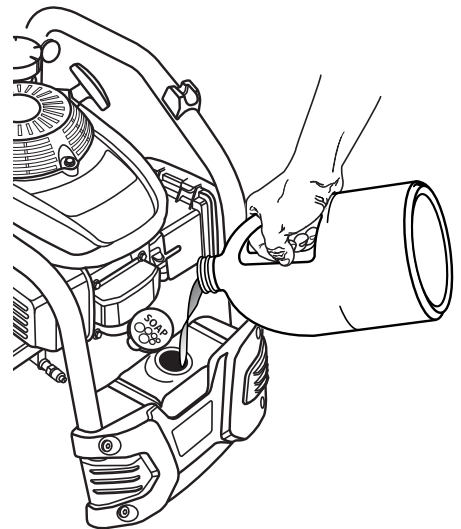


Fig. 19



Fig. 20

**TO MOVE THE PRESSURE WASHER
POUR DÉPLACER L'ÉQUIPEMENT
PARA MOVER LA MÁQUINA**

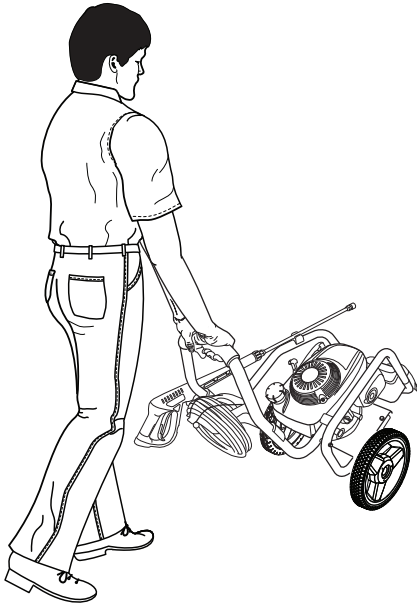
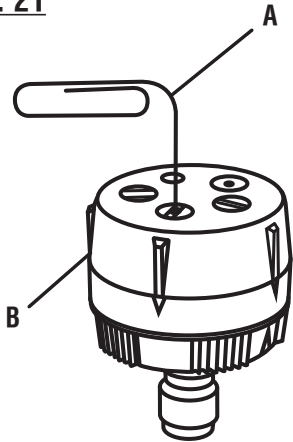
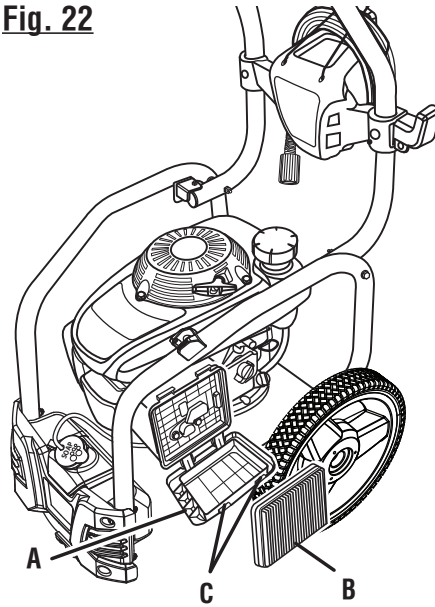


Fig. 21



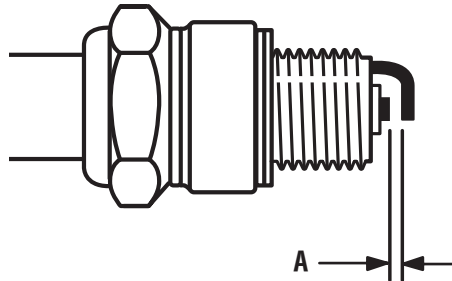
A - Paper clip (pièces de papier, clips de papel)
B - 5-in-1 change over nozzle (buse à permutation 5 en 1, boquilla intercambiable 5 en 1)

Fig. 22



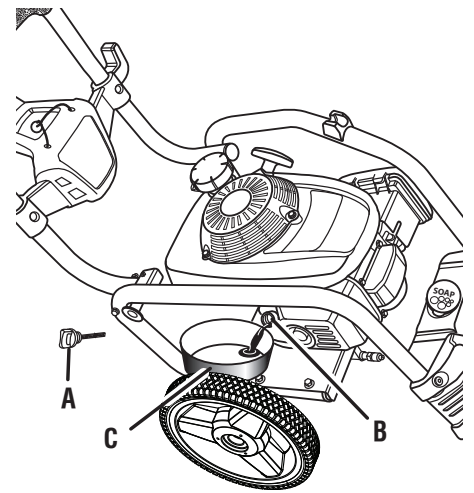
A - Air filter cover (couverture du filtre à air, tapa del filtro de aire)
B - Air filter (filtre à air, filtro de aire)
C - Tabs (ergots, orejetas)

Fig. 23



A - .028 in. - .032 in. (0.7 mm - 0.8 mm)
[0,028 po - 0,032 po (0,7 mm - 0,8 mm)
0,028 pulg. - 0,032 pulg. (0,7 mm - 0,8 mm)]

Fig. 24



A - Oil cap/dipstick (bouchon/jauge d'huile, tapa del aceite con varilla de nivel)
B - Oil fill hole (orifice de remplissage d'huile, agujero de llenado de aceite)
C - Container (récipient, recipiente)

Fig. 25

**TO STORE THE MACHINE
POUR REMISER L'ÉQUIPEMENT
PARA GUARDAR LA MÁQUINA**

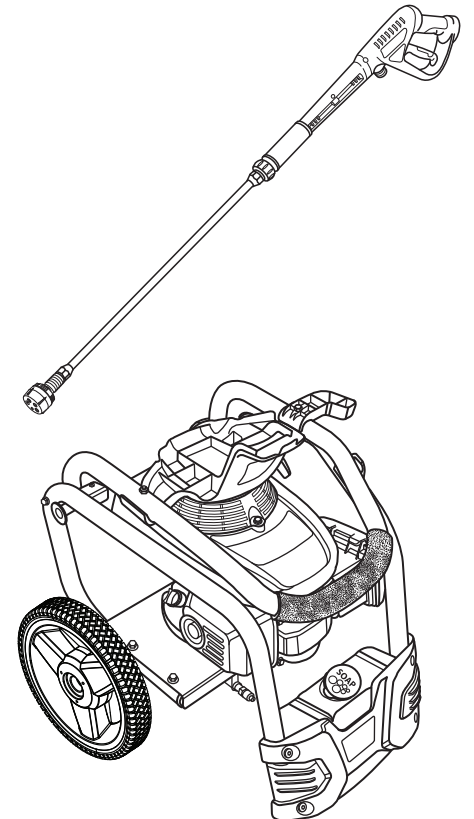


TABLE OF CONTENTS

TABLE DES MATIÈRES / ÍNDICE DE CONTENIDO

■ Introduction	2
Introduction / Introducción	
■ Important Safety Instructions	3
Instructions importantes concernant la sécurité / Instrucciones de seguridad importantes	
■ Specific Safety Rules.....	4
Règles de sécurité particulières / Reglas de seguridad específicas	
■ Symbols.....	5-6
Symboles / Símbolos	
■ Features.....	7
Caractéristiques / Características	
■ Assembly.....	8-9
Assemblage / Armado	
■ Operation.....	10-13
Utilisation / Funcionamiento	
■ Maintenance.....	14-16
Entretien / Mantenimiento	
■ Troubleshooting.....	17
Dépannage / Solución de problemas	
■ Warranty	18
Garantie / Garantía	
■ Parts Ordering and Service	Back Page
Commande de pièces et réparation / Pedidos de piezas y servicio	Page arrière / Pág. posterior

INTRODUCTION

INTRODUCTION / INTRODUCCIÓN

This product has many features for making its use more pleasant and enjoyable. Safety, performance, and dependability have been given top priority in the design of this product making it easy to maintain and operate.

* * *

Ce produit offre de nombreuses fonctions destinées à rendre son utilisation plus plaisante et satisfaisante. Lors de la conception de ce produit, l'accent a été mis sur la sécurité, les performances et la fiabilité, afin d'en faire un outil facile à utiliser et à entretenir.

* * *

Este producto ofrece numerosas características para hacer más agradable y placentero su uso. En el diseño de este producto se ha conferido prioridad a la seguridad, el desempeño y la fiabilidad, por lo cual se facilita su manejo y mantenimiento.

IMPORTANT SAFETY INSTRUCTIONS



WARNING:

Read and understand all instructions. Failure to follow all instructions listed below may result in electric shock, fire and/or carbon monoxide poisoning which will cause death or serious personal injury.

READ ALL INSTRUCTIONS




- **Know your tool.** Read the operator's manual carefully. Learn the machine's applications and limitations as well as the specific potential hazards related to this tool.
- **Keep guards in place** and in working order. Never operate the tool with any guard or cover removed. Make sure all guards are operating properly before each use.
- **Remove adjusting keys and wrenches.** Form habit of checking to see that keys and adjusting wrenches are removed from tool before turning it on.
- **To reduce the risk of injury,** keep children and visitors away. All visitors should wear safety glasses and be kept a safe distance from work area.
- **Keep the area of operation clear of all persons,** particularly small children, and pets.
- **Do not start or operate the engine in a confined space, building, near open windows, or in other unventilated space where dangerous carbon monoxide fumes can collect.** Carbon monoxide, a colorless, odorless, and extremely dangerous gas, can cause unconsciousness or death.
- **Use right tool.** Don't force tool or attachment to do a job it was not designed for. Don't use it for a purpose not intended.
- **Dress properly.** Do not wear loose clothing, gloves, neckties, or jewelry. They can get caught and draw you into moving parts. Rubber gloves and nonskid footwear are recommended when working outdoors. Also wear protective hair covering to contain long hair.
- **Do not operate the equipment while barefoot or when wearing sandals or similar lightweight footwear.** Wear protective footwear that will protect your feet and improve your footing on slippery surfaces.
- **Exercise caution to avoid slipping or falling.**
- **Always wear eye protection with side shields marked to comply with ANSI Z87.1.** Following this rule will reduce the risk of serious personal injury.
- **Don't overreach or stand on unstable support.** Keep proper footing and balance at all times.
- **Use only recommended accessories.** The use of improper accessories may cause risk of injury.
- **Follow the maintenance instructions specified in this manual.**
- **Check damaged parts.** Before further use of the tool, a guard or other part that is damaged should be carefully checked to determine that it will operate properly and perform its intended function. Check for alignment of moving parts, binding of moving parts, breakage of parts, mounting, and any other conditions that may affect its operation. A guard or other part that is damaged must be properly repaired or replaced by an authorized service center to avoid risk of personal injury.
- **Never leave tool running unattended. Turn power off.** Don't leave tool until it comes to a complete stop.
- **Keep the engine free of grass, leaves, or grease** to reduce the chance of a fire hazard.
- **Keep the exhaust pipe free of foreign objects.**
- **Follow manufacturer's recommendations for safe loading, unloading, transport, and storage of machine.**
- **Be thoroughly familiar with controls.** Know how to stop the product and bleed pressure quickly.
- **Keep tool dry, clean, and free from lubricant and grease.** Always use a clean cloth when cleaning. Never use brake fluids, gasoline, petroleum-based products, or any solvents to clean tool.
- **Stay alert and exercise control.** Watch what you are doing and use common sense. Do not operate tool when you are tired. Do not rush.
- **Do not operate the product while under the influence of drugs, alcohol, or any medication.**
- **Check the work area before each use.** Remove all objects such as rocks, broken glass, nails, wire, or string which can be thrown or become entangled in the machine.
- **Do not use tool if switch does not turn it off.** Have defective switches replaced by an authorized service center.
- **Before cleaning, repairing, or inspecting,** shut off the engine and make certain all moving parts have stopped. Disconnect the spark plug wire, and keep the wire away from the plug to prevent accidental starting.
- **Avoid dangerous environment.** Don't use in damp or wet locations or expose to rain. Keep work area well lit.
- **Never use in an explosive atmosphere.** Normal sparking of the motor could ignite fumes.
- **Do not operate while smoking or near an open flame.**
- **Do not operate around** dry brush, twigs, cloth rags, or other flammable materials.
- **WARNING: Risk of injection or injury** – Do not direct discharge stream at persons.

SPECIFIC SAFETY RULES









- **Use caution when positioning the pressure washer for use.** Warm air from the engine could cause discolored spots on grass.
- **Never direct a water stream toward people or pets, or any electrical device.**
- **Before starting any cleaning operation,** close doors and windows. Clear the area to be cleaned of debris, toys, outdoor furniture, or other objects that could create a hazard.
- **Never pick up or carry a machine while the engine is running.**
- **Never start the machine** if ice has formed in any part of the equipment.
- **Do not use acids, alkalines, solvents, flammable material, bleaches, or industrial grade solutions** in this product. These products can cause physical injuries to the operator and irreversible damage to the machine.
- **Always operate the machine** on a level surface. If the engine is on an incline, it could seize due to improper lubrication (even at the maximum lubricant level).
- **WARNING: High pressure jets can be dangerous if subject to misuse.** The jet must not be directed at persons, animals, electrical devices, or the machine itself.
- **Hold the handle and wand securely with both hands.** Expect the trigger handle to move when the trigger is pulled due to reaction forces. Failure to do so could cause loss of control and injury to yourself and others.
- **Never attempt to make any adjustments while the engine (motor) is running** (except where specifically recommended by the manufacturer).
- **Protective covers must always cover rotating parts when the engine is running.**
- **Keep cooling air intake** (recoil starter area) and muffler side of the engine at least 3 feet away from buildings, obstructions, and other combustible objects.
- **Keep the engine away from flammables and other hazardous materials.**
- **Keep away from hot parts.** The muffler and other engine parts become very hot; use caution.
- **Do not touch the spark plug and ignition cable** when starting and operating the engine.
- **Check fuel hoses and joints** for looseness and fuel leakage before each use.
- **Check bolts and nuts** for looseness before each use. A loose bolt or nut may cause serious engine problems.
- **Always refuel outdoors.** Never refuel indoors or in a poorly ventilated area.
- **Never store the machine with fuel in the fuel tank inside a building** where ignition sources are present, such as hot water and space heaters, clothes dryers, and the like.
- **If the fuel tank has to be drained, do this outdoors.**
- **To reduce the risk of fire and burn injury,** handle fuel with care. It is highly flammable.
- **Do not smoke while handling fuel.**
- **Add fuel before starting the engine.** Never remove the cap of the fuel tank or add fuel while the engine is running or when the engine is hot.
- **Loosen fuel cap slowly** to release pressure and to keep fuel from escaping around the cap.
- **Replace all fuel tank and container caps securely.**
- **Wipe spilled fuel from the unit.** Move 30 feet away from refueling site before starting engine.
- **If fuel is spilled,** do not attempt to start the engine but move the machine away from the area of spillage and avoid creating any source of ignition until fuel vapors have dissipated.
- **Never attempt to burn off spilled fuel under any circumstances.**
- **Before storing, allow the engine to cool and drain fuel from the unit.**
- **Store fuel in a cool, well-ventilated area,** safely away from spark and/or flame-producing equipment.
- **Store fuel in containers** specifically designed for this purpose.
- **Empty fuel tank and restrain the unit from moving** before transporting in a vehicle.
- **When servicing use only identical replacement parts.** Use of any other parts may create a hazard or cause product damage.
- **ONLY use cold water.**
- **Make sure minimum clearance** of 3 feet is maintained from combustible materials.
- **Never spray close to the surface** to be cleaned as you can damage the surface.
- **After stopping the engine, always pull the trigger on the trigger handle to relieve stored pressure in the high pressure hose.** Failure to do so could result in serious personal injury.
- **For outdoor use only.**
- **Ensure the high pressure hose is properly connected before using the product.**
- **Save these instructions.** Refer to them frequently and use them to instruct other users. If you loan someone this tool, loan them these instructions also.

SYMBOLS

The following signal words and meanings are intended to explain the levels of risk associated with this product.


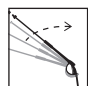


SYMBOL	SIGNAL	MEANING
	DANGER:	Indicates an imminently hazardous situation, which, if not avoided, will result in death or serious injury.
	WARNING:	Indicates a potentially hazardous situation, which, if not avoided, could result in death or serious injury.
	CAUTION:	Indicates a potentially hazardous situation, which, if not avoided, may result in minor or moderate injury.
	NOTICE:	(Without Safety Alert Symbol) Indicates important information not related to an injury hazard, such as a situation that may result in property damage.

Some of the following symbols may be used on this product. Please study them and learn their meaning for safe operation of this product.

SYMBOL	NAME	EXPLANATION
	Safety Alert	Indicates a potential personal injury hazard.
	Read Operator's Manual	To reduce the risk of injury, user must read and understand operator's manual before using this product.
	Eye Protection	Always wear eye protection with side shields marked to comply with ANSI Z87.1.
	Wet Conditions Alert	Do not expose to rain or use in damp locations.
	Hot Surface	To reduce the risk of injury or damage, avoid contact with any hot surface.
	Risk of Injections	To reduce the risk of injection or injury, never direct a water stream towards people or pets or place any body part in the stream. Leaking hoses and fittings are also capable of causing injection injury. Do not hold hoses or fittings.
	Risk of Explosion	Fuel and its vapors are explosive and can cause severe burns or death.
	Risk of Fire	Fuel and its vapors are extremely flammable and explosive. Fire can cause severe burns or death.

SYMBOLS

Some of the following symbols may be used on this product. Please study them and learn their meaning for safe operation of this product.

SYMBOL	NAME	EXPLANATION
	Toxic Fumes	Gas products emit carbon monoxide, an odorless, colorless, poison gas. Breathing carbon monoxide can cause nausea, fainting, or death.
	Kickback	To reduce the risk of injury from kickback, hold the spray wand securely with both hands when the machine is on.
	Electric Shock	Failure to use in dry conditions and to observe safe practices can result in electric shock.
	Chemical Burns	To reduce the risk of injury or damage, DO NOT USE ACIDS, ALKALINES, BLEACHES, SOLVENTS, FLAMMABLE MATERIAL, OR INDUSTRIAL GRADE SOLUTIONS in this product.

FEATURES

PRODUCT SPECIFICATIONS

Fuel Tank Capacity	0.96 gal
Honda GCV190 engine.....	187cc
Lubricant Fill Volume	Approximately 10-16 oz.
Maximum Pounds Per Square Inch Pressure*	3,100 psi
Maximum Gallons Per Minute*	2.5 gpm
Maximum Inlet Water Temperature	104°F

*Max rating determined by PWMA Standard 101

KNOW YOUR PRESSURE WASHER

See Figure 1.

The safe use of this product requires an understanding of the information on the tool and in this operator's manual as well as a knowledge of the project you are attempting. Before use of this product, familiarize yourself with all operating features and safety rules.

5-IN-1 CHANGE OVER NOZZLE

The 5-in-1 Change Over Nozzle makes it easy to change spray patterns.

AUTOMATIC DETERGENT INJECTION SYSTEM

Pour pressure washer detergent into the detergent tank to apply detergent quickly and easily to your cleaning project. Use of the soap nozzle will activate the detergent injector at a 20:1 dilution ratio.

FUEL TANK

This fuel tank has a maximum capacity of 0.96 gal. Use unleaded automotive gasoline in the engine.

HONDA GCV190 ENGINE

This Honda engine enables the pressure washer to achieve 3,100 psi (pounds per square inch) at a rate of 2.5 gpm (gallons per minute). Please read the engine manual included with this product.

HOSE STORAGE

Once the high pressure hose is rolled, hang it on the back of the machine using the stretch strap to secure in place.

IDLE DOWN

The engine idle speed is automatically reduced when the trigger is released. This feature increases fuel efficiency, reduces the noise level, and decreases wear and tear over the life of the pressure washer.

ON/OFF SWITCH

The on/off switch is used in combination with the starter grip and rope to start the engine. It is also used to turn the engine off.

SPARK ARRESTOR

This engine is not factory equipped with a spark arrestor. In some areas it is illegal to operate an engine without a spark arrestor. A spark arrestor is available by calling customer service for assistance.

STARTER GRIP AND ROPE

The starter grip and rope is pulled to start the machine.

THERMAL RELIEF VALVE

This pump feature will prevent water temperatures from reaching harmful levels by releasing a small amount of water. Once the water has drained, the thermal relief valve will reset itself.

TRIGGER HANDLE

The trigger handle has a gripping surface that provides added control of the spray wand and helps reduce fatigue.

TRIGGER WITH LOCK OUT

Pulling the trigger releases a stream of water for high pressure cleaning. The lock out provides protection against unauthorized use.

ASSEMBLY

UNPACKING

This product requires assembly.

- Carefully remove the product and any accessories from the box. Make sure that all items listed in the packing list are included.

NOTE: This tool is heavy. To avoid back injury, lift with your legs, not your back, and get help when needed.

WARNING:

Do not use this product if any parts on the Packing List are already assembled to your product when you unpack it. Parts on this list are not assembled to the product by the manufacturer and require customer installation. Use of a product that may have been improperly assembled could result in serious personal injury.

- Inspect the tool carefully to make sure no breakage or damage occurred during shipping.
- Do not discard the packing material until you have carefully inspected and satisfactorily operated the tool.
- If any parts are damaged or missing, please call 1-800-860-4050 for assistance.

PACKING LIST

Pressure Washer
25 ft. High Pressure Hose
Trigger Handle Holder
Spray Wand Holder
Shoulder Bolt (1/4-20 x 2.27 in.)
Screw (1/4-20 x 1.85 in.)
Shoulder Bolt (1/4-20 x 1.85 in.)
Nut (3)
Trigger Handle
Spray Wand
5-in-1 Change-Over Nozzle
Washer
4-Cycle Engine Lubricant (SAE 30 or SAE 10W30)
Disposable Funnel
High Pressure Hose Storage
Operator's Manual

WARNING:

If any parts are damaged or missing do not operate this product until the parts are replaced. Use of this product with damaged or missing parts could result in serious personal injury.

WARNING:

Do not attempt to modify this product or create accessories not recommended for use with this product. Any such alteration or modification is misuse and could result in a hazardous condition leading to possible serious personal injury.

WARNING:

To prevent accidental starting that could cause serious personal injury, always disconnect the engine spark plug wire from the spark plug when assembling parts.

TOOLS NEEDED

See Figure 2.

The following tools (not included or drawn to scale) are needed for assembly:

- 7/16 in. Combination Wrench
- Phillips Screwdriver

RAISING AND LOWERING THE HANDLE

See Figure 3.

- To raise the handle: pull the handle up until the handle release knob snaps through the locking hole to secure the handle in place.
- To lower the handle: pull the handle release knob out then lower the handle to the position shown in figure 3.

INSTALLING TRIGGER HANDLE HOLDER, SPRAY WAND HOLDER, AND HOSE STORAGE

See Figure 4 - 5.

- Raise handle as described in the **Raising and Lowering Handle** section.
- Place hose storage onto the handle as shown.
- Align the holes in the hose storage with the holes in the handle.
- Insert short shoulder bolt (1/4-20 x 1.85 in.) through the holes in the left side of the handle and hose storage.
- Place hex nut onto short shoulder bolt and tighten securely.
- Place the trigger handle holder onto the handle as shown.
- Align the holes in the trigger handle holder with the holes in the hose storage and the handle.
- Insert long shoulder bolt (1/4-20 x 2.27 in.) through the holes in handle, hose storage, and trigger handle holder.
- Slide washer onto screw. Then, place nut onto screw and tighten securely.
- Place spray wand holder onto pressure washer frame.
- Align the holes in the spray wand holder with the holes in the pressure washer frame.
- Insert screw (1/4-20 x 1.85 in.) through the holes in the spray wand holder and the pressure washer frame.
- Place nut onto screw and tighten securely.

ASSEMBLING THE TRIGGER HANDLE

See Figure 6.

- Place the threaded end of the spray wand in the connector on the end of the trigger handle.
- Turn the connector clockwise until it stops. This secures the spray wand in place.

ASSEMBLY

CONNECTING HIGH PRESSURE HOSE TO TRIGGER HANDLE

See Figure 7.

- Screw the collar on the high pressure hose into the trigger handle inlet coupler by turning the hose collar clockwise. Tighten securely.
NOTE: Be careful to avoid cross-threading, which can cause the trigger handle to leak during use.
- Pull on the hose to be certain it is properly secured.

CONNECTING THE HIGH PRESSURE HOSE TO THE PUMP

See Figure 8.

- Completely uncoil and straighten the high pressure hose to prevent kinks.
NOTE: See **Using The High Pressure Hose in Operation** for more information about using the high pressure hose.
- Align the collar on the threaded nipple on the pump.
- Insert the nozzle on the end of the high pressure hose collar into the threaded nipple.
- Turn the collar clockwise to tighten the hose securely to the pump.
NOTE: Be careful to avoid cross-threading, which can cause the hose to leak during use.
- Pull on the hose to be certain it is properly secured.

CONNECTING THE GARDEN HOSE TO THE PRESSURE WASHER

See Figure 9.

NOTICE:

Always observe all local regulations when connecting hoses to the water main. Some areas have restrictions against connecting directly to public drinking water supply to prevent the feedback of chemicals into the drinking water supply. Direct connection through a receiver tank or backflow preventer is usually permitted.

The water supply must come from a water main. NEVER use hot water or water from pools, lakes, etc. Before connecting the garden hose to the pressure washer:

- Run water through the hose for 30 seconds to clean any debris from the hose.
- Inspect the screen in the water intake.
- If the screen is damaged, do not use the machine until the screen has been replaced.
- If the screen is dirty, clean it before connecting the garden hose to the machine.

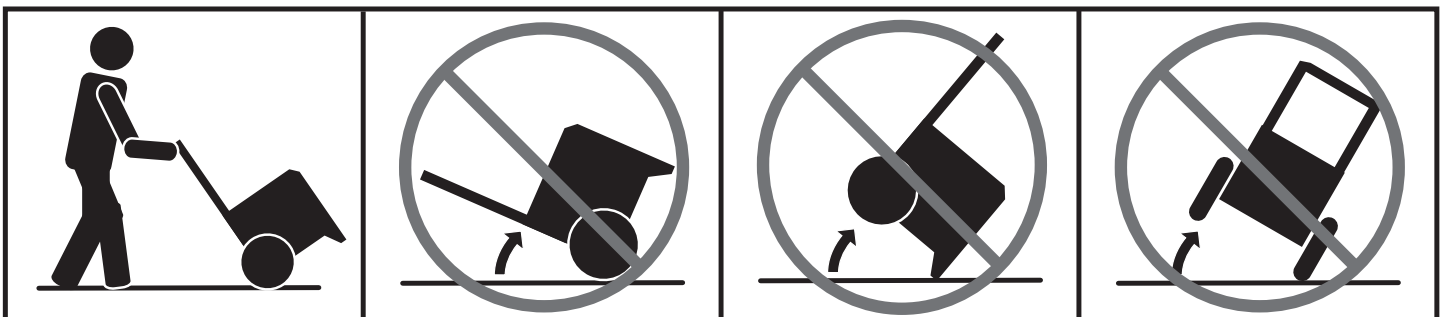
To connect the garden hose to the machine:

- Completely uncoil the garden hose or remove completely from reel to prevent kinks.
NOTE: There must be a minimum of 10 feet of unrestricted hose between the pressure washer intake and the hose faucet or shut off valve (such as a “Y” shut off connector).
- With the hose faucet turned completely off, attach the end of the garden hose to the water intake. Tighten by hand.

NOTICE:

Do not run the pressure washer pump without water supply connected and turned on, as this may damage the high pressure seals and decrease pump life. Completely unwind the hose from its reel or coil and make sure the hose is not being restricted by tires, rocks, or any other objects that may lessen or prevent water flow to the pressure washer.

DO NOT OVERTILT THE UNIT!



OPERATION

WARNING:

Do not allow familiarity with this product to make you careless. Remember that a careless fraction of a second is sufficient to inflict serious injury.

WARNING:

Always wear eye protection with side shields marked to comply with ANSI Z87.1. Failure to do so could result in objects being thrown into your eyes resulting in possible serious injury.

WARNING:

Do not use any attachments or accessories not recommended by the manufacturer of this product. The use of attachments or accessories not recommended can result in serious personal injury.

WARNING:

Never direct a water stream toward people or pets, or any electrical device. Failure to heed this warning could result in serious injury.

APPLICATIONS

You may use this tool around the house for cleaning most small to large horizontal or vertical exterior surfaces, smaller exterior objects and structures, and outdoor equipment and tools.* You can:

- Clean or remove mold and mildew from weathered decks, driveways, patios, walkways, sidewalks, etc.
- Remove dirt from various exterior vertical surfaces such as house exteriors, siding, fences, brick, concrete or stone walls, etc.
- Wash boats, outdoor furniture, powered or non-powered garden equipment, gutters, window screens, grills, playground equipment, etc.

*Always test in an inconspicuous area first.

ADDING/CHECKING ENGINE LUBRICANT

See Figure 10.

NOTE: This machine has been shipped with approximately 2 oz. of lubricant in the engine from testing. **You must add lubricant to the engine before starting it the first time.**

NOTICE:

Any attempt to start the engine without adding lubricant will result in engine failure.

To add engine lubricant:

- Place pressure washer on a flat, level surface. Do not tilt.
- Unscrew the oil cap / dipstick by turning counter-clockwise.
- Using 4-stroke engine lubricant (SAE 30 or SAE 10W30), add engine lubricant until the fluid level rises to the upper portion of the hatched area on the dipstick (12 oz., 4-cycle engine lubricant provided). **Do not overfill.**
- Replace the oil cap / dipstick and securely tighten.

To check the engine lubricant level:

- Place pressure washer on a flat, level surface. Do not tilt.
- Unscrew the oil cap/dipstick by turning counterclockwise.
- Wipe dipstick clean and re-seat in hole; do not rethread.
- Remove dipstick again and check lubricant level. Lubricant level should fall within the hatched area on the dipstick.
- If level is low, add engine lubricant until the fluid level rises to the upper portion of the hatched area on the dipstick.
- Replace and secure the oil cap/dipstick.

NOTICE:

Any attempt to start the engine without adding lubricant will result in engine failure.

OXYGENATED FUELS

NOTICE:

Do not use E15 or E85 fuel (or fuel containing greater than 10% ethanol) in this product. It is a violation of federal law and will damage the unit and void your warranty.

Fuel system damage or performance problems resulting from the use of an oxygenated fuel containing more than the percentage of oxygenates stated below **are not covered under warranty.**

Ethanol. Gasoline containing up to 10% ethanol by volume (commonly referred to as E10) is acceptable. **E15 and E85 are not.**

ADDING GASOLINE TO THE FUEL TANK

See Figure 11.

WARNING:

Gasoline and its vapors are highly flammable and explosive. To prevent serious personal injury and property damage, handle gasoline with care. Keep away from ignition sources, handle outdoors only, do not smoke while adding fuel, and wipe up spills immediately.

OPERATION

When adding gas to the pressure washer, make sure the unit is sitting on a flat, level surface. If the engine is hot, let the pressure washer cool before adding gas. ALWAYS fill the fuel tank outdoors with the machine turned off.

NOTE: This is a 4-cycle engine. DO NOT mix fuel and lubricant together.

- Mix fuel stabilizer with gasoline according to fuel stabilizer manufacturer's directions.
- Before removing the fuel cap, clean the area around it. Remove the fuel cap.
- Insert a clean funnel into the fuel tank then slowly pour gasoline into the tank. Fill tank to approximately 1-1/2 in. below the top of the tank neck (this allows for fuel expansion).
- Replace fuel cap and tighten until the cap "clicks".
- Clean up any spills before starting the engine.

STARTING AND STOPPING THE PRESSURE WASHER

See Figures 12 - 13.

NOTICE:

Do not run the pressure washer pump without water supply connected and turned on, as this may damage the high pressure seals and decrease pump life. Completely unwind the hose from its reel or coil and make sure the hose is not being restricted by tires, rocks, or any other objects that may lessen or prevent water flow to the pressure washer.

Before starting the engine:

- Connect all hoses.
- Check all fluids (lubricant and gas).
- Turn on the garden hose then squeeze the trigger to relieve air pressure; hold the trigger until a steady stream of water appears.

NOTE: Make sure the faucet is turned on fully and that there are no kinks or leaks in the hose.

To start the engine:

- Turn the fuel valve to the ON position.
- Pull choke out to the START position.
NOTE: If restarting after a brief stop (i.e., after refueling or moving), leave the choke lever in the RUN position.
- Put the on/off switch in the ON position.
- Grasp the starter grip and rope and pull slowly until resistance is felt. Give the starter grip and rope a short, brisk pull to start the engine.

NOTE: Do not allow the starter grip and rope to snap back after starting; return it gently to its original place.

- Let engine run for several seconds, then push choke in to the RUN position.

To stop the engine:

- Put the on/off switch in the OFF position.
- Turn the fuel valve to the OFF position.
- Shut off the water supply and pull trigger to release water pressure.



WARNING:

While operating and storing, keep at least 3 feet of clearance on all sides of this product, including overhead. Allow a minimum of 30 minutes of "cool down" time before storage. Heat created by muffler and exhaust gases could be hot enough to cause serious burns and/or ignite combustible objects.

USING THE SPRAY WAND TRIGGER

See Figure 14.

For greater control and safety, keep both hands on the trigger handle at all times.

- Pull back and hold the trigger to operate the pressure washer.
- Release the trigger to stop the flow of water through the nozzle.

To engage the lock out:

- Push up on the lock out until it clicks into the slot.

To disengage the lock out:

- Push the lock out down and into its original position.

To use the spray wand, start with the nozzle 1-2 ft. away from the cleaning surface. Carefully approach the surface just until the desired level of cleaning is achieved. If the spray is too close it can damage the cleaning surface.

INSTALLING/REMOVING NOZZLE

See Figure 15.



WARNING:

NEVER change nozzles without locking the lock out on the trigger handle and NEVER point the wand at your face or at others. The quick-connect feature contains small springs that could eject the nozzle with some force. Failure to heed this warning could cause personal injury.

To connect the nozzle to the trigger handle:

- Turn off the pressure washer and shut off the water supply.
Pull trigger to release water pressure.
- Engage the lock out on the trigger handle by pushing up on the lock out until it clicks into the slot.
- Push the nozzle into the quick-connect collar until it clicks in place and is secured properly.

OPERATION

To disconnect the nozzle from the trigger handle once the cleaning job is complete:

- Turn off the pressure washer and shut off the water supply. **Pull trigger to release water pressure.**
- Engage the lock out on the trigger handle by pushing up on the lock out until it clicks into the slot.
- Remove the nozzle by placing hand over nozzle then pulling back the quick-connect collar.

USING THE 5-IN-1 CHANGE OVER NOZZLE

See Figure 16.

There are five spray pattern settings located on the 5-in-1 Change Over Nozzle. To select a spray pattern, rotate the spray selector to the desired setting. Refer to the **Nozzle Selection Guide** for more information about which setting to choose.

USING THE HIGH PRESSURE HOSE

The high pressure hose features an outer covering that provides strength to the hose. If the outer covering becomes damaged, the hose must be replaced immediately. **Do not use a high pressure hose if the outer covering is damaged.**

To prevent damage to the outer covering:

- Inspect the hose before every use.
- Fully unwrap and straighten hose before use.
- Do not allow the high pressure hose to be kinked.
- Keep hose away from hot surfaces and sharp edges.
- Do not pull unit by high pressure hose.
- Do not allow hose to be crushed or wrapped around objects.

WASHING WITH DETERGENT

See Figures 17 - 19.

As sold, this unit is designed for use with “downstream” pressure washer detergents. To convert for use with “upstream” detergents, contact an authorized customer service center for more information.

Use only detergents designed for pressure washers; household detergents, acids, alkalines, bleaches, solvents, flammable material, or industrial grade solutions can damage the pump. Many detergents may require mixing prior to use. Prepare cleaning solution as instructed on the solution bottle. Always test in an inconspicuous area before beginning.

NOZZLE SELECTION GUIDE

		HIGH PRESSURE (NO SOAP WHEN USING THESE NOZZLES)			LOW PRESSURE (FOR SOAP OR GENTLE RINSE)	
		0°	25°	40°	Long Range	Short Range
		0°	25°	40°	Long Range	Short Range
Concrete, Brick, Masonry		✓	✓	✓	✓	✓
Siding, Gutters, House			✓	✓	✓	✓
Fencing, Deck, Patio			✓	✓	✓	✓
Lawn Equipment, Boat, RV			✓	✓	✓	✓
		✓ Recommended Nozzle ✓ Use With Caution for Certain Applications				

OPERATION

- Remove the cap from the detergent tank and pour pressure washer detergent in the tank. Replace cap on tank.

NOTE: The machine setting of this unit is 20:1, which usually allows the use of 1 gallon pressure washer detergent without further dilution. Check your detergent instructions to be sure additional dilution is not necessary.

- Install 5-in-1 Change Over Nozzle (if necessary). Rotate the spray selector on the nozzle to either the blue short range detergent (♥) or blue long range detergent (♣) setting.
- Squeeze the trigger and wait approximately 5 seconds for the detergent to appear.
- Spray the detergent on a dry surface using long, even, overlapping strokes. To prevent streaking, do not allow detergent to dry on the surface.

For long range detergent application:

With the nozzle installed on the spray wand and the engine shut off, rotate the spray selector to the long range detergent [♣] setting.

For short range detergent application:

With the nozzle installed on the spray wand and the engine shut off, rotate the spray selector to the short range detergent [♥] setting.

Before shutting off the engine:

- Fill the detergent tank with clean water.
- Spray the clear water through the spray wand until the tank is empty.
- If any soap remains in the spray, repeat with a second tank of clean water.
- Shut off the engine.

NOTE: Shutting **OFF (O)** the engine **WILL NOT** relieve pressure in the system. Pull trigger to release water pressure.

RINSING WITH THE PRESSURE WASHER

- Turn off the pressure washer and shut off the water supply. Pull trigger to release water pressure.
- Engage the lock out on the trigger handle by pushing up on the lock out until it clicks into the slot.
- Select the right nozzle setting for the job. See the chart on the previous page for selecting the appropriate nozzle setting.
- When using these settings, test a small area first to avoid surface damage.
- Start at the top of the area to be rinsed and work down, overlapping the strokes.

MOVING THE PRESSURE WASHER

See Figure 20.

NOTE: Never lift or carry this product using the handle and never place the unit in any position other than upright on its wheels.

- Turn the pressure washer off and ensure the fuel valve is closed.
- Pull the handle up until the handle release knob snaps into the locking position (if not already up and locked). Ensure the lock is secured in the frame hole before moving.
- Tilt the machine toward you slightly until it balances on the wheels then roll the machine to the desired position. Do not tilt forward or sideways when moving.
- DO NOT attempt to move the unit by pulling on any of the hoses.

HIGH ALTITUDE OPERATION

Specific modifications are needed for high-altitude operation. Please contact your authorized service center for important information regarding these modifications. Operating this engine without the proper altitude modification may increase the engine's emissions and decrease fuel economy and performance.

MAINTENANCE

WARNING:

When servicing, use only identical replacement parts. Use of any other parts could create a hazard or cause product damage.

WARNING:

Always wear eye protection with side shields marked to comply with ANSI Z87.1. Failure to do so could result in objects being thrown into your eyes resulting in possible serious injury.

WARNING:

Before inspecting, cleaning or servicing the machine, shut off engine, wait for all moving parts to stop, and disconnect spark plug wire and move it away from spark plug. Failure to follow these instructions can result in serious personal injury or property damage.

GENERAL MAINTENANCE

Avoid using solvents when cleaning plastic parts. Most plastics are susceptible to damage from various types of commercial solvents and may be damaged by their use. Use clean cloths to remove dirt, dust, lubricant, grease, etc.

WARNING:

Do not at any time let brake fluids, gasoline, petroleum-based products, penetrating lubricants, etc., come in contact with plastic parts. Chemicals can damage, weaken or destroy plastic which could result in serious personal injury.

Only the parts shown on the parts list are intended to be repaired or replaced by the customer. All other parts should be replaced at an authorized service center.

Before running the engine, perform the following pre operation steps:

- Check that all bolts, nuts, etc., are securely tightened.
- Make sure the air filter is clean.
- Check both the engine lubricant level and the fuel tank level; refill as needed.
- Inspect the work area for hazards.
- If there is excessive noise or vibration, stop the unit immediately.

NOZZLE MAINTENANCE

See Figure 21.

Excessive pump pressure (a pulsing sensation felt while squeezing the trigger) may be the result of a clogged or dirty nozzle.

- Turn off the pressure washer and shut off the water supply. Pull trigger to release water pressure.
- Remove the nozzle from the spray wand.
NOTE: Never point the spray wand at your face.
- Using a straightened paper clip or nozzle cleaning tool (not provided), free any foreign materials clogging or restricting the nozzle.
- Using a garden hose, flush debris out of nozzle by back flushing (running the water through the nozzle backwards or from the outside to the inside).
- Reconnect the nozzle to the spray wand.
- Turn on the water supply and start the engine.

CLEANING THE AIR FILTER

See Figure 22.

A dirty air filter will cause starting difficulty, loss of performance, and shorten the life span of the engine. Check the air filter monthly. For best performance, replace the air filter at least once a year.

- Push the tabs on the air filter cover to open, then remove the air filter cover.
- Lift the edge of the air filter carefully and pull it out.
- Brush the air filter lightly to clean.
- Reinstall the air filter.
NOTE: Make sure the filter is seated properly inside the cover. Installing the filter incorrectly will allow dirt to enter the engine, causing rapid engine wear.
- Reinstall the air filter cover.

CHECKING SPARK PLUG

See Figure 23.

- Clean the area around the base of the spark plug before removing to keep dirt and debris out of the engine. Remove spark plug.
- Clean off carbon deposits on the spark plug electrode using a plug cleaner or wire brush. Replace the plug if worn.
- Check electrode gap. The gap should be .028 in. - .032 in. (0.7 mm - 0.8 mm). Adjust the gap, if necessary, by carefully bending the ground electrode.
- Reinstall spark plug. Tighten securely.

MAINTENANCE

CHANGING ENGINE LUBRICANT

See Figure 24.

- Shut off the engine.
- Clean the area around the oil cap/dipstick, then remove the oil cap/dipstick.
- Tilt the pressure washer on its side as shown. Drain lubricant into approved container.

NOTE: Drain the lubricant while the engine is still warm but not hot. Warm lubricant will drain quickly and more completely.

- After the crankcase is completely drained, return the pressure washer to an upright position.
- Replace the lubricant with new, clean lubricant (SAE 30 or SAE 10W30). Approximately, 10 -16 oz is required. Add engine lubricant until lubricant level is within the hatched area on the dipstick.

NOTE: Consult hazardous waste management guidelines in your area for the proper way to dispose of used lubricant.

PUMP LUBRICATION

The pump on this product was lubricated with a sufficient amount of high grade lubricant for the life of the unit under normal operating conditions. Therefore, no further lubrication is required.

STORING THE PRESSURE WASHER

See Figure 25.

NOTE: Regular use of fuel stabilizer and pump protector will give you better performance of the unit and increase the life of the pump. See the Replacement Parts List for available sizes and part numbers of these items and call customer service to order.

Allow 30 minutes of “cool down” time before storing the machine. Store in a dry, covered area where the weather can’t damage it.

It is important to store this product in a frost-free area. Always empty water from all hoses, the pump, and the detergent bucket before storing.

- Drain the fuel tank completely by running the pressure washer until the gas runs out. Stored gas can go stale in 30 days.

NOTE: Make sure the water supply is connected and turned on when allowing the pressure washer engine to run.

- Make sure the on/off switch and fuel valve are in the OFF position.
- Disconnect the water connection.
- Empty the pump by pulling on the starter grip and rope about 6 times. This should remove most of the liquid from the pump.

NOTICE:

The use of a pump protector is strongly recommended after each use and before storing to prevent cold weather and seal damage during storage.

- Drain the lubricant and replace with fresh, clean lubricant as described in **Changing Engine Lubricant** earlier in this manual.
- Disconnect spark plug wire and remove the spark plug. Pour about a teaspoon of clean, air-cooled, four-cycle lubricant through the spark plug hole into the combustion chamber.
- Leaving the spark plug out, pull the starter cord two or three times to coat the inside of the cylinder wall.
- Inspect the spark plug and clean or replace, as necessary.
- Reinstall the spark plug, but leave the spark plug wire disconnected.
- Clean the air filter.
- Extend the recoil starter rope to check its condition. If the rope is frayed, have it replaced immediately by an authorized service center.
- Remove all hoses. Coil the hoses and store as shown. Do not allow the hose to become kinked.
- Pull the handle release knob out and lower the handle to the down position.
- Store the unit and accessories in an area that does not reach freezing temperatures. Do not store near furnace or other sources of heat that could dry out the pump seals.

PREPARING FOR USE AFTER STORAGE

- Pull the starter grip and rope three or four times to clean lubricant from the combustion chamber.
- Remove spark plug from the cylinder. Wipe lubricant from the spark plug and return it to the cylinder.
- Reconnect the spark plug wire.
- Refuel the machine as described earlier in the operator’s manual.

MAINTENANCE

PERIODIC MAINTENANCE SCHEDULE

NOTE: If a separate engine manual is provided for this pressure washer, please follow the maintenance schedule provided in the engine manual instead of the maintenance information listed below.

Maintenance Items	Each use	Weekly	25 hrs	50 hrs	200 hrs
Check for water leaks under manifold, into crankcase	•				
Plumbing		•			
Clean engine and check nuts and bolts	•				
Check and refill engine lubricant	•				
Change engine lubricant (initial change) ¹	•				
Check water inlet filter placement ²	•				
Add fuel stabilizer	•				
Add pump protector	•				
Change engine lubricant				•	
Check spark plug				•	
Clean air filter			•		
Replace air filter element					•
Clean and adjust spark plug and electrodes				•	
Replace spark plug					•

¹ Initial lubricant change should be performed after first 20 hours of operation. Thereafter, change lubricant every 100 hours.

² If water inlet filter is missing or damaged, it must be replaced. See Replacement Parts List for part number to order.

NOTE: If you are not sure how to perform any of the maintenance items listed above, take the unit to an authorized service center to have the maintenance item performed.

TROUBLESHOOTING

PROBLEM	CAUSE	SOLUTION
Engine fails to start	No fuel in tank Spark plug shorted or fouled Spark plug is broken (cracked porcelain or electrodes broken) Ignition lead wire shorted, broken, or disconnected from spark plug Ignition inoperative	Fill tank Replace spark plug Replace spark plug Replace lead wire or attach to spark plug Contact authorized service center
Engine hard to start	Water in gasoline Weak spark at spark plug	Drain entire system and refill with fresh fuel Contact authorized service center
Engine lacks power	Dirty air filter Air in line causing idle down feature to perform incorrectly.	Clean or replace air filter With engine off, squeeze trigger until water comes out to remove air from line.
Detergent fails to mix with spray	Spray selector on the 5-in-1 Change Over Nozzle is set to either the 40°, 25°, or 0° setting Detergent tank is empty	Rotate the spray selector on the 5-in-1 Change Over Nozzle to either the short range detergent [♥] or long range detergent [♣] setting. Add detergent to detergent tank
Pump doesn't produce pressure	Spray selector on the 5-in-1 Change Over Nozzle is set to either the short range detergent [♥] or long range detergent [♣] setting. Inadequate water supply Trigger handle or spray wand leaks Nozzle is clogged Air in line Hose is leaking Kink in hose Choke in START position Pump is faulty	Rotate the spray selector on the 5-in-1 Change Over Nozzle to either the 40°, 25°, or 0° setting Provide adequate water flow Check connections and / or replace trigger handle or spray wand Clean nozzle Squeeze trigger on trigger handle to remove air from line Replace hose Eliminate kinks in hose Move choke to RUN position Contact authorized service center
Machine doesn't reach high pressure	Diameter of garden hose is too small Water supply is restricted Not enough inlet water Spray selector on the 5-in-1 Change Over Nozzle is set to either the short range detergent [♥] or long range detergent [♣] setting.	Replace with 3/4 in. garden hose Check garden hose for kinks, leaks, and blockages Open water source full force Rotate the spray selector on the 5-in-1 Change Over Nozzle to either the 40°, 25°, or 0° setting

WARRANTY

LIMITED NON-ENGINE WARRANTY STATEMENT

Techtronic Industries North America, Inc., warrants to the original retail purchaser that this RYOBI® brand pressure washer is free from defect in material and workmanship and agrees to repair or replace, at Techtronic Industries North America, Inc.'s discretion, any defective product free of charge within these time periods from the date of purchase.

- Three years if the product is used for personal, family or household use;
- 90 days, if any of the above products are used for any other purpose, such as commercial or rental.

This warranty extends to the original retail purchaser only and commences on the date of the original retail purchase.

Any part of the this product manufactured or supplied by Techtronic Industries North America, Inc., and found in the reasonable judgment of Techtronic Industries North America, Inc., to be defective in material or workmanship will be repaired or replaced without charge for parts and labor by a RYOBI® Authorized Service Center.

The product, including any defective part, must be returned to a RYOBI® Authorized Service Center within the warranty period. The expense of delivering the product to the service center for warranty work and the expense of returning it back to the owner after repair or replacement will be paid by the owner. Techtronic Industries North America, Inc.'s responsibility in respect to claims is limited to making the required repairs or replacements and no claim of breach of warranty shall be cause for cancellation or rescission of the contract of sale of any RYOBI® brand product. Proof of purchase will be required to substantiate any warranty claim. All warranty work must be performed by a RYOBI® Authorized Service Center.

This warranty does not cover any product that has been subject to misuse, neglect, negligence, or accident, or that has been operated in any way contrary to the operating instructions as specified in the operator's manual. This warranty does not apply to any damage to the product that is the result of improper maintenance or to any product that has been altered or modified so as to adversely affect the product's operation, performance or durability or that has been altered or modified so as to change its intended use. The warranty does not extend to repairs made necessary by normal wear or by the use of parts or accessories which are either incompatible with the RYOBI® brand pressure washer or adversely affect its operation, performance or durability.

In addition, this warranty does not cover:

- A. Tune-ups – Air filters, gas filters, carburetors, spark plugs
- B. Wear items – Hoses, connector fittings, spray nozzles, trigger handle, spray wand, wheels, detergent bucket, detergent tank

Techtronic Industries North America, Inc., reserves the right to change or improve the design of any RYOBI® brand pressure washer without assuming any obligation to modify any product previously manufactured.

ALL IMPLIED WARRANTIES ARE LIMITED IN DURATION TO THE STATED WARRANTY PERIOD. ACCORDINGLY, ANY SUCH IMPLIED WARRANTIES INCLUDING MERCHANTABILITY, FITNESS FOR A PARTICULAR PURPOSE, OR OTHERWISE, ARE DISCLAIMED IN THEIR ENTIRETY AFTER THE EXPIRATION OF THE STATED THREE-YEAR OR 90-DAY EXPRESS WARRANTY PERIOD. TECHTRONIC INDUSTRIES NORTH AMERICA, INC.'S OBLIGATION UNDER THIS WARRANTY IS STRICTLY AND EXCLUSIVELY LIMITED TO THE REPAIR OR REPLACEMENT OF DEFECTIVE PARTS AND TECHTRONIC INDUSTRIES NORTH AMERICA, INC., DOES NOT ASSUME OR AUTHORIZE ANYONE TO ASSUME FOR THEM ANY OTHER OBLIGATION. SOME STATES DO NOT ALLOW LIMITATIONS ON HOW LONG AN IMPLIED WARRANTY LASTS, SO THE ABOVE LIMITATION MAY NOT APPLY TO YOU. TECHTRONIC INDUSTRIES NORTH AMERICA, INC., ASSUMES NO RESPONSIBILITY FOR INCIDENTAL, CONSEQUENTIAL OR OTHER DAMAGES INCLUDING, BUT NOT LIMITED TO EXPENSE OF RETURNING THE PRODUCT TO AN AUTHORIZED RYOBI® SERVICE CENTER AND EXPENSE OF DELIVERING IT BACK TO THE OWNER, MECHANIC'S TRAVEL TIME, TELEPHONE OR TELEGRAM CHARGES, RENTAL OF A LIKE PRODUCT DURING THE TIME WARRANTY SERVICE IS BEING PERFORMED, TRAVEL, LOSS OR DAMAGE TO PERSONAL PROPERTY, LOSS OF REVENUE, LOSS OF USE OF THE PRODUCT, LOSS OF TIME, OR INCONVENIENCE, SOME STATES DO NOT ALLOW THE EXCLUSION OR LIMITATION OF INCIDENTAL OR CONSEQUENTIAL DAMAGES, SO THE ABOVE LIMITATION OR EXCLUSION MAY NOT APPLY TO YOU.

This warranty gives you specific legal rights, and you may also have other rights which vary from state to state.

This warranty applies to all RYOBI® brand pressure washer distributed by Techtronic Industries North America, Inc., and sold in the United States, Mexico, and Canada.

To locate your nearest RYOBI® Authorized Service Center, dial 1-800-860-4050 or log on to our website at www.ryobitools.com.

INSTRUCTIONS IMPORTANTES CONCERNANT LA SÉCURITÉ



AVERTISSEMENT :

Lire attentivement toutes les instructions. Le non-respect de toutes les instructions ci-dessous peut entraîner un choc électrique, un incendie et/ou une intoxication par le monoxyde de carbone, ce qui peut causer des blessures graves voire la mort.

LIRE TOUTES LES INSTRUCTIONS




- **Apprendre à connaître l'outil.** Lire attentivement le manuel d'utilisation. Apprendre les applications et les limites de l'outil, ainsi que les risques spécifiques relatifs à son utilisation.
- **Maintenir tous les dispositifs de protection en place** et en bon état de fonctionnement. Ne jamais utiliser l'outil avec des couvercles ou dispositifs de protection retirés. S'assurer que tous les dispositifs de protection fonctionnent correctement avant chaque utilisation.
- **Retirer les clés et outils de réglage.** Prendre l'habitude de vérifier que tous les outils et clés de réglage en ont été retirés de l'outil avant de le mettre en marche.
- **Pour réduire les risques de blessures,** garder les enfants et visiteurs à l'écart. Tous les visiteurs doivent porter des lunettes de sécurité et se tenir à bonne distance de la zone de travail.
- **Ne laisser personne approcher la zone de travail,** particulièrement les petits enfants et les animaux domestiques.
- **Ne pas démarrer ou faire tourner le moteur dans un espace confiné, de bâtiment, à proximité des fenêtres ouverts, autre ou des zones sans ventilation où des vapeurs toxiques de monoxyde de carbone peuvent s'accumuler.** Le monoxyde de carbone, un gaz incolore, inodore et extrêmement toxique peut causer une perte de conscience et être mortel.
- **Utiliser l'outil approprié.** Ne pas utiliser l'outil ou un accessoire pour effectuer un travail pour lequel il n'est pas conçu. Ne pas utiliser l'outil pour une application non prévue.
- **Porter une tenue appropriée.** Ne pas porter de vêtements amples, gants, cravate ou bijoux. Ces articles pourraient être happés et tirer la main ou une partie du corps dans les pièces en mouvement. Des gants en caoutchouc et des chaussures antidérapantes sont recommandées pour le travail à l'extérieur. Les cheveux longs doivent être ramassés sous un couvre-chef.
- **Ne pas faire fonctionner l'équipement pied-nu ou en portant des sandales ou des chaussures légères similaires.** Porter des chaussures de sécurité protégeant les pieds et améliorant l'équilibre sur des surfaces glissantes.
- **Faire preuve de prudence pour éviter de glisser ou tomber.**
- **Toujours porter une protection oculaire avec écrans latéraux certifiée conforme à la norme ANSI Z87.1.** Le respect de cette règle réduira les risques de blessures graves.
- **Ne pas travailler hors de portée ou se tenir sur une surface instable.** Toujours se tenir bien campé et en équilibre.
- **N'utiliser que les accessoires recommandés.** L'emploi de tout accessoire inadapté peut présenter un risque de blessure.
- **Suivre les instructions d'entretien spécifiées dans ce manuel.**
- **Vérifier l'état des pièces.** Avant d'utiliser l'outil de nouveau examiner soigneusement les pièces et dispositifs de protection qui semblent endommagés afin de déterminer s'ils fonctionnent correctement et s'ils remplissent les fonctions prévues. Vérifier l'alignement des pièces mobiles, s'assurer qu'aucune pièce n'est bloquée ou cassée, vérifier la fixation de chaque pièce et s'assurer qu'aucun autre problème ne risque d'affecter le bon fonctionnement de l'outil. Pour éviter les risques de blessures, toute protection ou pièce endommagée doit être correctement réparée ou remplacée dans un centre de réparations agréé.
- **Ne jamais laisser un outil en fonctionnement sans surveillance. Arrêter l'outil.** Ne pas s'éloigner de l'outil avant qu'il soit parvenu à un arrêt complet.
- **Garder le moteur dépourvu d'herbe, feuilles ou graisse** pour réduire le risque d'incendie.
- **Garder le tuyau d'échappement propre et exempt de débris.**
- **Suivre les recommandations du fabricant pour assurer la sécurité de chargement, déchargement, transport et remisage de la machine.**
- **Se familiariser complètement avec les commandes.** Veiller à savoir arrêter la machine et relâcher la pression rapidement.
- **Garder l'outil sec, propre et exempt d'huile ou de graisse.** Toujours utiliser un chiffon propre pour le nettoyage. Ne jamais utiliser de liquide de freins, d'essence ou de produits à base de pétrole pour nettoyer l'outil.
- **Rester vigilant et garder le contrôle.** Se montrer attentif et faire preuve de bon sens. Ne pas utiliser l'outil en état de fatigue. Ne pas se presser.
- **Ne pas utiliser cet outil sous l'influence de l'alcool, de drogues ou de médicaments.**
- **Examiner la zone de travail avant chaque utilisation.** La débarrasser de tous les objets tels que cailloux, verre brisé, clous, fils métalliques, cordes, etc. risquant d'être projetés ou de se prendre dans la machine.
- **Ne pas utiliser l'outil si le commutateur ne permet pas de l'arrêter.** Faire remplacer les commutateurs défectueux dans un centre de réparations agréé.
- **Avant de nettoyer, réparer ou inspecter,** couper le moteur et vérifier que toutes les pièces en mouvement sont arrêtées. Déconnecter le fil de bougie et garder le fil à l'écart de la bougie afin d'empêcher un démarrage accidentel.
- **Éviter les environnements dangereux.** Ne pas utiliser dans des endroits mouillés ou humides, ne pas exposer à la pluie. Garder le lieu de travail bien éclairé.
- **Ne jamais utiliser dans une atmosphère explosive.** Les étincelles normalement produites par le moteur pourraient enflammer les vapeurs.
- **Ne jamais utiliser en fumant ou à côté d'une flamme vive.**
- **Ne pas utiliser à proximité de** buissons secs, brindilles, chiffons ou autres matériaux inflammables.
- **AVERTISSEMENT : Risque d'injection ou de blessures** – ne pas diriger le jet directement vers quelqu'un.

RÈGLES DE SÉCURITÉ PARTICULIÈRES










- **Se montrer prudent lorsque l'on installe le nettoyeur haute pression pour son utilisation.** L'air chaud du moteur peut causer des zones de décoloration sur l'herbe.
- **Ne jamais diriger le jet d'eau vers des personnes, animaux domestiques ou dispositifs électriques.**
- **Avant de commencer toute opération de nettoyage,** fermer les portes et fenêtres. Débarrasser la zone à nettoyer de débris, jouets, meuble de jardin ou autres objets pouvant créer un danger.
- **Ne jamais ramasser ni porter la machine lorsque le moteur tourne.**
- **Ne jamais mettre la machine en marche** si de la glace s'est formée sur quelque partie que ce soit.
- **Ne pas utiliser de produits acides ou alcalins, de solvants, de matières inflammables ou de solutions de qualité industrielle** dans ce produit. Ces produits peuvent causer des blessures de l'opérateur et des dommages irréversibles de l'équipement.
- **Toujours utiliser la machine** sur une surface plane. Si le moteur est incliné, il peut se gripper à cause d'un graissage insuffisant (même au niveau maximum d'huile).
- **AVERTISSEMENT : Les jets à haute pression peuvent être dangereux s'ils sont utilisés incorrectement.** Le jet ne doit pas être dirigé vers des personnes, animaux, dispositifs électriques ou l'équipement lui-même.
- **Tenir la poignée et la lance fermement des deux mains.** L'utilisateur doit s'attendre à ce qu'en raison de la force de réaction, la poignée bouge lorsqu'il appuie sur la gâchette. Ne pas tenir compte de ce fait peut entraîner une perte de contrôle et entraîner des blessures pour lui et son entourage.
- **Ne jamais essayer de faire des réglages pendant que le moteur tourne** (sauf en cas de recommandations spécifiques du fabricant).
- **Les dispositifs de protection doivent toujours couvrir des pièces en rotation quand le moteur tourne.**
- **Garder l'entrée d'air** (lanceur à rappel) et le côté échappement du moteur au à au moins 3 pi (914 mm) des structures, obstacles et autres objets combustibles.
- **Garder le moteur à l'écart des articles inflammables et autres matières dangereuses.**
- **Rester à l'écart des pièces brûlantes.** L'échappement et d'autres pièces de moteur deviennent brûlantes, se montrer prudent.
- **Ne toucher ni la bougie, ni le câble d'allumage** lors du démarrage et du fonctionnement du moteur.
- **Vérifier le serrage des flexibles et raccords de carburant** et s'assurer de l'absence de fuites avant chaque utilisation.
- **Vérifier le serrage de la boulonnerie** avant chaque utilisation. Un boulon ou écrou desserré peut causer de sérieux problèmes de moteur.
- **Toujours effectuer l'approvisionnement en carburant à l'extérieur.** Ne jamais refaire le plein en intérieur ou dans un endroit insuffisamment ventilé.
- **Ne jamais remiser la machine avec du carburant dans le réservoir de carburant dans un local** où des sources d'allumage, telles que radiateurs à gaz et à eau chaude, les séchoirs à vêtements, etc., sont présentes.
- **Si le réservoir de carburant doit être vidé, le faire à l'extérieur.**
- **Manipuler le carburant avec précaution** pour éviter les risques d'incendies et de brûlures. Le carburant est extrêmement inflammable.
- **Ne pas fumer pendant la manipulation du carburant.**
- **Faire l'appoint de carburant avant de lancer le moteur.** Ne jamais retirer le couvercle du réservoir de carburant ni ajouter du carburant pendant que le moteur tourne ou quand le moteur est chaud.
- **Desserrer le bouchon du réservoir** lentement pour relâcher la pression et éviter que le carburant s'échappe.
- **Remettre en place tous les bouchons de conteneur et de réservoir de carburant et les serrer fermement.**
- **Essuyer tout le carburant éventuellement répandu.** S'éloigner de 9 m (30 pi) du point d'approvisionnement avant de lancer le moteur.
- **Si du carburant est renversé,** ne pas essayer de démarrer le moteur mais éloigner la machine de l'endroit et éviter de créer une source d'inflammation jusqu'à ce que les vapeurs de carburant se soient dissipées.
- **N'essayer en aucun cas de brûler le carburant répandu.**
- **Laisser le moteur refroidir avant de remiser l'outil et vidanger le carburant de l'unité.**
- **Remiser le carburant dans un endroit frais, bien aéré, à l'écart d'étincelle et/ou d'appareils produisant des flammes.**
- **Conserver le carburant dans** des jerrycans spécialement conçus à cet effet.
- **Pour le transport sur ou dans un véhicule,** le réservoir doit être vide et la machine bien arrimée.
- **Utiliser exclusivement des pièces identiques à celles d'origine pour les réparations.** L'usage de toute autre pièce pourrait créer une situation dangereuse ou endommager l'outil.
- **Ce produit est conçu pour fonctionner uniquement à l'eau froide.**
- **Veiller à garder une distance d'au moins 914 mm (3 pi)** des matériaux combustibles.
- **Ne jamais la pulvérisation proche à la surface** être nettoyée comme vous pouvez endommager la surface.
- **Après avoir arrêté le moteur, toujours presser la gâchette de la poignée à gâchette afin de libérer la pression retenue dans le tuyau haute pression.** Le non-respect de cet avertissement pourrait entraîner des blessures graves.
- **Pour l'utilisation à l'extérieur seulement.**
- **S'assurer que le tuyau flexible haute pression est branché correctement avant d'utiliser le produit.**
- **Conserver ces instructions.** Les consulter fréquemment et les utiliser pour instruire d'autres utilisateurs. Si cet outil est prêt, il doit être accompagné de ces instructions.

SYMBOLES

Les termes de mise en garde suivants et leur signification ont pour but d'expliquer le degré de risques associé à l'utilisation de ce produit.

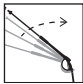


SYMBOLE	SIGNAL	SIGNIFICATION
	DANGER :	Indique une situation extrêmement dangereuse qui, si elle n'est pas évitée, aura pour conséquences des blessures graves, voire mortelles.
	AVERTISSEMENT :	Indique une situation potentiellement dangereuse qui, si elle n'est pas évitée, aura pour conséquences des blessures graves ou mortelles.
	ATTENTION :	Indique une situation potentiellement dangereuse qui, si elle n'est pas évitée, pourrait entraîner des blessures légères ou de gravité modérée.
	AVIS :	(Sans symbole d'alerte de sécurité) Indique une information importante ne concernant pas un risque de blessure comme une situation pouvant occasionner des dommages matériels.

Certains des symboles ci-dessous peuvent être présents sur l'outil. Veiller à les étudier et à apprendre leur signification. Une interprétation correcte de ces symboles permettra d'utiliser l'outil plus efficacement et de réduire les risques.

SYMBOLE	NOM	DÉSIGNATION / EXPLICATION
	Symbole d'alerte de sécurité	Indique un risque de blessure potentiel.
	Lire manuel d'utilisation	Pour réduire les risques de blessures, l'utilisateur doit lire et veiller à bien comprendre le manuel d'utilisation avant d'utiliser ce produit.
	Protection oculaire	Toujours porter une protection oculaire avec écrans latéraux certifiée conforme à la norme ANSI Z87.1.
	Avertissement concernant l'humidité	Ne pas exposer à la pluie ou l'humidité.
	Surface brûlante	Pour réduire les risques de blessures ou de dommages, éviter tout contact avec les surfaces brûlantes.
	Risque d'injection	Pour réduire les risques d'injection ou de blessures, ne jamais diriger le jet directement vers des enfants ou animaux domestiques et ne placer aucune partie du corps sur la trajectoire du jet. Les fuites aux flexibles et raccords peuvent également entraîner des blessures. Ne pas tenir des flexibles ou raccords.
	Risque d'explosion	Le carburant et ses vapeurs sont explosifs et peuvent entraîner des brûlures graves ou mortelles.
	Risque d'incendie	Le carburant et ses vapeurs sont extrêmement inflammables et explosifs. Le feu peut entraîner des brûlures graves ou mortelles.
	Vapeurs toxiques	Les dérivés du pétrole dégagent du monoxyde de carbone, un gaz toxique inodore et incolore. L'inhalation du monoxyde de carbone peut entraîner des nausées, des évanouissements ou être mortelle.

SYMBOLES

Certains des symboles ci-dessous peuvent être présents sur l'outil. Veiller à les étudier et à apprendre leur signification. Une interprétation correcte de ces symboles permettra d'utiliser l'outil plus efficacement et de réduire les risques.

SYMBOLE	NOM	DÉSIGNATION / EXPLICATION
	Rebond	Pour réduire le risque de blessure suite à un rebond, tenir la lance fermement à deux mains lorsque la machine est en fonctionnement.
	Choc électrique	Ne pas utiliser la machine dans un endroit sec ou ne pas respecter les pratiques de sécurité peut entraîner un choc électrique.
	Brûlures chimiques	Pour réduire les risques de blessures ou de dommages matériels, NE PAS UTILISER DE PRODUITS ACIDES, ALCALINS OU JAVÉLISÉS, NI DE SUBSTANCES INFLAMMABLES OU DE SOLUTIONS DE QUALITÉ INDUSTRIELLE dans ce produit.

CARACTÉRISTIQUES

FICHE TECHNIQUE

Contenance du réservoir de carburant	3,6 litres (0,96 gal)
Moteur Honda GCV190.....	187cc
Volume de remplissage de lubrifiant	Environ 283 à 473 ml (10 à 16 oz)
Pression maximum en livres par pouce carré	3 100 psi
Débit maximum par minute*	9,46 LPM (2,5 gpm)
Température maximum d'eau d'arrivée.....	40 °C (104 °F)

*Maximum évaluant résolu par la norme de PWMA 101

APPRENDRE À CONNAÎTRE LE NETTOYEUR HAUTE PRESSION

Voir la figure 1.

La sécurité d'utilisation de ce produit exige la compréhension des informations apposées sur le produit et contenues dans ce manuel d'utilisation, ainsi que la connaissance du travail à exécuter. Avant d'utiliser ce produit, se familiariser avec toutes ses fonctions et règles de sécurité.

BUSE À PERMUTATION 5 EN 1

La buse à permutation 5 en 1 permet de changer facilement la forme du jet.

SYSTÈME D'INJECTION DE DÉTERGENT AUTOMATIQUE

Verser le détergent pour laveuse à pression dans le réservoir de détergent une application facile et rapide sur votre projet de nettoyage. L'utilisation de la buse à détergent activera l'injecteur de détergent avec une quantité de dilution de 20 pour 1.

RÉSERVOIR DE CARBURANT

La contenance maximum de ce réservoir de carburant est de 3,6 litres (0,96 gal). Utiliser de l'essence sans plomb.

MOTEUR HONDA GCV190

Le moteur à permet au nettoyeur haute pression d'atteindre 3 100 psi (livres par pouces carrés) à 9,46 LPM (2,5 gpm). Lire le manuel du moteur inclus avec ce produit.

RANGEMENT DE FLEXIBLES

Une fois le tuyau haute pression enroulé, l'accrocher sur le dos de la machine utilisant l'allongement sangle pour obtenir à sa place.

RALENTI

Le moteur passe automatiquement au ralenti lorsque la gâchette est relâchée. Cette fonction améliore le rendement énergétique, réduit le bruit, ainsi que la détérioration et l'usure de la laveuse à pression.

COMMUTATEUR D'ARRÊT ET DÉMARRAGE

Le commutateur d'arrêt et démarrage est utilisé dans la combinaison avec le manchon en poignée du lanceur et corde pour commencer le moteur. Il est aussi utilisé pour arrêter le moteur.

PARE-ÉTINCELLES

Ce moteur n'est pas équipé d'un pare-étincelles monté en usine. Dans certaines régions, il est interdit d'utiliser un moteur sans pare-étincelles. Un pare-étincelles est disponible en appelant le service après-vente.

POIGNÉE DU LANCEUR ET CORDE

Tirer sur le lanceur pour mettre le moteur en marche.

SOUPAPE DE DÉCHARGE THERMIQUE

Ce dispositif de la pompe empêche que la température de l'eau atteigne un niveau dangereux en relâchant une petite quantité d'eau par un flexible en caoutchouc. Une fois l'eau écoulée, la soupape se réarme automatiquement.

POIGNÉE DE GÂCHETTE

La poignée de gâchette est dotée d'une surface de prise permettant de mieux la contrôler et de réduire la fatigue.

GÂCHETTE AVEC VERROUILLAGE

Appuyer sur la gâchette pour produire un jet d'eau à haute pression pour le nettoyage. Le verrouillage constitue une protection contre toute utilisation non autorisée.

ASSEMBLAGE

DÉBALLAGE

Ce produit doit être assemblé.

- Avec précaution, couper les côtés du carton, puis en sortir la machine et les accessoires. S'assurer que toutes les pièces indiquées sur la liste de contrôle sont incluses.

NOTE : Cet outil est lourd. Pour éviter des problèmes lombaires soulever avec les jambes, pas avec le dos et demander de l'aide lorsque nécessaire.

AVERTISSEMENT :

Ne pas utiliser le produit si, en le débarrant, vous constatez que des éléments figurant dans la liste de contrôle sont déjà assemblés. Certaines pièces figurant sur cette liste n'ont pas été assemblées par le fabricant et exigent une installation. Le fait d'utiliser un produit qui a été assemblé de façon inadéquate peut entraîner des blessures.

- Examiner soigneusement l'outil pour s'assurer que rien n'a été brisé ou endommagé en cours de transport.
- Ne pas jeter les matériaux d'emballage avant d'avoir soigneusement examiné l'outil et avoir vérifié qu'il fonctionne correctement.
- Si des pièces sont manquantes ou endommagées, appeler le 1-800-860-4050.

LISTE DE CONTRÔLE

Nettoyeur haute pression
Tuyau haute pression de 7,6 m (25 pi)
Support de la poignée à gâchette
Support de la lance d'arrosage
Boulon à épaulement (1/4-20 x 2,27 po)
Vis (1/4-20 x 1,85 po)
Boulon à épaulement (1/4-20 x 1,85 po)
Écrou (3)
Poignée de gâchette
Lance de pulvérisation
Buse à permutation 5 en 1
Rondelle
Lubrifiant moteur 4 temps (SAE 30 ou SAE 10W30)
Entonnoir jetable
Rangement de flexibles
Manuel d'utilisation

AVERTISSEMENT :

Si des pièces manquent ou sont endommagées, ne pas utiliser ce produit avant qu'elles aient été remplacées. Le fait d'utiliser ce produit même s'il contient des pièces endommagées ou s'il lui manque des pièces peut entraîner des blessures graves.

AVERTISSEMENT :

Ne pas essayer de modifier ce produit ou de créer des accessoires non recommandés pour ce produit. De telles altérations ou modifications sont considérées comme un usage abusif et peuvent créer des conditions dangereuses, risquant d'entraîner des blessures graves.

AVERTISSEMENT :

Pour empêcher un démarrage accidentel pouvant entraîner des blessures graves, toujours déconnecter le fil de bougie de moteur de la bougie d'allumage avant d'assembler des pièces.

OUTILS NÉCESSAIRES

Voir la figure 2.

Les outils suivants (non inclus ou dessiné pour escalader) sont nécessaires pour effectuer l'assemblage :

- Clé mixte de 7/16 po
- Tournevis phillips

RÉLEVER ET ABAISSER LA POIGNÉE

Voir la figure 3.

- Relèvement le poignée: tirer sur le manche pour engager le bouton de poignée dans la fente pour le verrouiller en place
- Abaissement le poignée: tirer le bouton de poignée hors alors abaisser la poignée à la position comme illustré à la figure 3.

INSTALLATION DU SUPPORT DE LA POIGNÉE À GÂCHETTE, DU SUPPORT DE LA LANCE D'ARROSAGE, ET DU COMPARTIMENT DE RANGEMENT DU TUYAU FLEXIBLE

Voir la figures 4 et 5.

- Relever la poignée tel que décrit à la section **Rélever et Abaisser la Poignée**.
- Placer la rangement de flexibles sur la poignée comme illustré.
- Aligner le trou de la rangement de flexibles avec le trou dans la poignée.
- Insérer le boulon à épaulement courte (1/4-20 x 1,85 po) dans les trous se trouvant du côté gauche de la poignée et dans le compartiment de rangement du tuyau.
- Visser l'écrou hexagonal sur le boulon à épaulement courte.
- Placer la support de la poignée à gâchette sur la poignée comme illustré.
- Aligner le trou de la support de la poignée à gâchette avec le trou dans la rangement de flexibles et la poignée.
- Insérer le boulon à épaulement longue (1/4-20 x 2,27 po) dans les trous de la poignée, du compartiment de rangement du tuyau et du support de la poignée à gâchette.
- Glisser la rondelle sur le boulon. Puis, placer l'écrou sur le boulon et serrer le tout.
- Placer la support de la lance d'arrosage sur la cadre.
- Aligner le trou de la support de la lance d'arrosage avec le trou dans la cadre.
- Insérer le vis (1/4-20 x 1,85 po) dans les trous de la support de la lance d'arrosage et la cadre.
- Installer l'écrou sur le boulon et le serrer.

ASSEMBLAGE

ASSEMBLAGE DE POIGNÉE DE GÂCHETTE

Voir la figure 6.

- Engager l'extrémité fileté de la lance de pulvérisation dans le connecteur de la poignée de gâchette.
- Tourner le connecteur à fond vers la droite. Ceci assujettit la lance de pulvérisation.

BRANCHEMENT DU FLEXIBLE HAUTE PRESSION SUR DE POIGNÉE DE GÂCHETTE

Voir la figure 7.

- Visser le collier du flexible sur le raccord de la poignée de gâchette en le tournant vers la droite. Serrer fermement.

NOTE : S'assurer de ne pas déformer le filetage, ce qui peut causer des fuites à la poignée à gâchette pendant l'utilisation.

- Tirer sur le tuyau pour s'assurer qu'il est correctement bloqué.

CONNEXION DU FLEXIBLE HAUTE PRESSION SUR LA POMPE

Voir la figure 8.

- Dérouler complètement et redresser le tuyau haute pression pour éviter les pincements.

NOTE : Voir **Utilisation du tuyau haute pression** au chapitre *Fonctionnement* pour obtenir plus d'information au sujet de l'utilisation du tuyau haute pression.

- Aligner le collier sur le téton fileté de la pompe.
- Insérer l'extrémité du collier du flexible haute pression dans le téton fileté.
- Tourner le collier vers la droite et la serrer fermement sur la pompe.

NOTE : Prendre soin d'éviter la déformation du filetage, ce qui peut causer des fuites au tuyau pendant l'utilisation.

- Tirer sur le tuyau pour s'assurer qu'il est solidement assujetti.

CONNEXION DU TUYAU D'ARROSAGE AU NETTOYEUR HAUTE PRESSION

Voir la figure 9.

AVIS :

Toujours respecter tous les règlements locaux au moment de brancher les tuyaux flexibles à l'alimentation principale en eau. Dans certaines régions, l'unité ne doit pas être reliée directement à l'alimentation publique en eau potable pour éviter que des produits chimiques affectent le système. Un raccordement direct est généralement permis si une bêche de récupération ou un dispositif anti-refoulement est utilisé.

L'alimentation en eau doit provenir d'une conduite principale d'alimentation en eau. Ne JAMAIS utiliser l'eau chaude ou l'eau des piscines, lacs, etc. Avant de connecter le tuyau d'arrosage au nettoyeur haute pression :

- Faire circuler l'eau dans le flexible pendant 30 secondes pour le débarrasser des débris.
- Inspecter le tamis dans l'arrivée d'eau.
- Si le tamis est endommagé, ne pas utiliser l'équipement avant d'avoir remplacé le tamis.
- Si le tamis est sale, le nettoyer avant de connecter le tuyau d'arrosage à l'équipement.

Pour connecter le tuyau d'arrosage à l'équipement :

- Dérouler complètement le boyau d'arrosage ou le retirer complètement du dévidoir pour éviter les pincements.

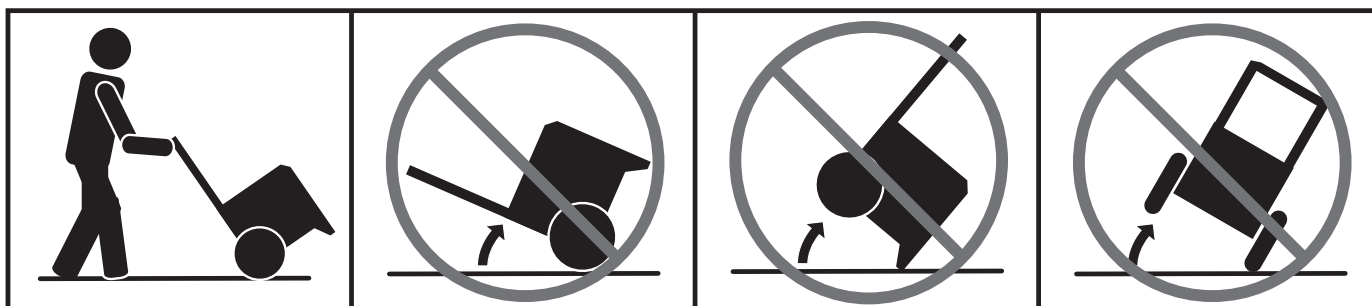
NOTE : Il doit y avoir un minimum de 3 m (10 pi) de tuyau entre l'admission du nettoyeur haute pression et le robinet de tuyau ou le robinet de sectionnement (comme un connecteur de sectionnement en « Y »).

- Le robinet de tuyau étant complètement fermé, fixer l'extrémité du tuyau d'arrosage sur l'arrivée d'eau. Serrer à la main.

AVIS :

Ne pas faire fonctionner la pompe de la laveuse à pression sans que l'arrivée d'eau soit branchée et ouverte, car cela pourrait endommager les joints d'étanchéité haute pression et réduire la durée de vie utile de la pompe. Dérouler complètement le tuyau de son dévidoir ou de sa bobine et s'assurer qu'il ne se coince pas sous les pneus, sur des roches ou dans tout autre objet susceptible de couper ou de réduire l'alimentation en eau de la laveuse à pression.

ÉVITER TOUTE INCLINAISON DE L'APPAREIL !



UTILISATION

AVERTISSEMENT :

Ne pas laisser la familiarité avec l'outil faire oublier la prudence. Ne pas oublier qu'une fraction de seconde d'inattention peut entraîner des blessures graves.

AVERTISSEMENT :

Toujours porter une protection oculaire avec écrans latéraux certifiée conforme à la norme ANSI Z87.1. Si cette précaution n'est pas prise, des objets peuvent être projetés dans les yeux et causer des lésions graves.

AVERTISSEMENT :

Ne pas utiliser d'outils ou accessoires non recommandés par le fabricant pour cet outil. L'utilisation de pièces et accessoires non recommandés peut entraîner des blessures graves.

AVERTISSEMENT :

Ne jamais diriger le jet d'eau vers des personnes, animaux domestiques ou dispositifs électriques. Le non-respect de cet avertissement pourrait entraîner des blessures graves.

APPLICATIONS

Cet outil peut être utilisé autour de la maison pour nettoyer la plupart des petites et grandes surfaces extérieures horizontales ou verticales, les petits objets et petites structures extérieurs, l'équipement et les outils extérieurs. * Utile pour :

- Nettoyer ou éliminer les moisissures des terrasses protégées contre les intempéries, les allées, patios, allées piétonnes, trottoirs, etc.
- Éliminer la saleté de plusieurs types de surfaces verticales extérieures comme les murs extérieurs de la maison, le parement, les clôtures, briques, béton, pierres, etc.
- Laver les bateaux, mobilier extérieur, équipements de jardinage motorisés ou manuels, gouttières, moustiquaires, barbecues, équipements de terrain de jeux, etc.

**Toujours, faire un essai préalable sur une petite surface dissimulée.*

AJOUT/VÉRIFICATION DE LUBRIFIANT

Voir la figure 10.

NOTE : Cet équipement a été expédié avec environ 2 oz lubrifiant dans le moteur, résultant des essais. **Faire l'appoint lubrifiant moteur avant le premier démarrage.**

AVIS :

Toute tentative de démarrage du moteur sans avoir fait l'appoint lubrifiant entraînera une défaillance.

Pour ajouter de l'huile à moteur :

- Poser le nettoyeur haute pression sur une surface plane et horizontale. Ne pas incliner.
- Dévisser le bouchon / jauge d'huile en le tournant dans le sens inverse des aiguilles d'une montre.
- Ajouter de l'huile pour moteur quatre temps (SAE 30 ou SAE 10W30) jusqu'à ce que le niveau monte à la section hachurée de la jauge (12 oz. d'huile pour moteur quatre temps fournis). **Ne pas remplir à l'excès.**
- Remettre le bouchon / jauge d'huile en place et le serrer fermement.

Pour vérifier le niveau d'huile du moteur :

- Poser le nettoyeur haute pression sur une surface plane et horizontale. Ne pas incliner.
- Dévisser le bouchon/jauge d'huile en le tournant dans le sens inverse des aiguilles d'une montre.
- Essuyer la jauge et l'insérer de nouveau dans le trou sans visser.
- Retirer une nouvelle fois la jauge et vérifier le niveau de lubrifiant. Le niveau de lubrifiant doit se trouver dans la zone hachurée de la jauge.
- Si le niveau est bas, ajouter de le lubrifiant moteur jusqu'à ce que le niveau atteigne la portion supérieure de la zone hachurée sur la jauge.
- Réinstaller et serrer le bouchon d'huile/la jauge.

AVIS :

Ne pas remplir à l'excès. Trop remplir le carter peut produire une fumée excessive et endommager le moteur.

CARBURANTS OXYGÉNÉS

AVIS :

Ne pas utiliser d'essence E15 ou E85 (ou un carburant contenant plus de 10 % d'éthanol) dans ce produit. Une telle utilisation représente une violation de la loi fédérale et endommagera l'appareil et annulera la garantie.

Les dommages au circuit de carburant et les problèmes de performance résultant de l'utilisation de carburant oxygéné contenant des pourcentages de composants oxygénés supérieurs à ceux indiqués ci-dessous **ne sont pas couverts par la garantie.**

Éthanol. L'essence contenant jusqu'à 10 % d'éthanol par volume (généralement désignée E10) est acceptable. **E15 et E85 ne sont pas.**

UTILISATION

APPOINT D'ESSENCE

Voir la figure 11.

AVERTISSEMENT :

L'essence et ses vapeurs sont extrêmement inflammables et explosives. Pour éviter blessures et dommages matériels, manipuler l'essence avec prudence. Garder à l'écart des sources d'allumage, manipuler en plein air uniquement, ne pas fumer lors de l'appoint de carburant et essuyer immédiatement tout carburant répandu.

Lors de l'appoint de carburant du nettoyeur haute pression, vérifier que la machine se trouve sur une surface plane et horizontale. Si le moteur est très chaud, laisser le nettoyeur haute pression refroidir avant d'ajouter de l'essence. Toujours faire l'appoint de carburant à l'extérieur.

NOTE : Ce moteur est un moteur 4 temps. NE PAS mélanger d'essence et d'huile ensemble.

- Mélanger un stabilisateur de carburant à l'essence en respectant les instructions du fabricant du stabilisateur de carburant.
- Avant de retirer le bouchon du réservoir d'essence, nettoyer son pourtour. Retirer le bouchon du réservoir de carburant.
- Insérer un entonnoir propre dans le réservoir et verser le carburant lentement. Remplir le réservoir jusqu'à environ 38 mm (1-1/2 po) au dessous du bord de la goulotte de remplissage (pour permettre la dilatation du carburant).
- Remettre le bouchon/jauge de carburant et serrer solidement.
- Essuyer tout carburant répandu avant de lancer le moteur.

MISE EN MARCHÉ / ARRÊT DU NETTOYEUR HAUTE PRESSION

Voir les figures 12 et 13.

AVIS :

Ne pas faire fonctionner la pompe de la laveuse à pression sans que l'arrivée d'eau soit branchée et ouverte, car cela pourrait endommager les joints d'étanchéité haute pression et réduire la durée de vie utile de la pompe. Dérouler complètement le tuyau de son dévidoir ou de sa bobine et s'assurer qu'il ne se coince pas sous les pneus, sur des roches ou dans tout autre objet susceptible de couper ou de réduire l'alimentation en eau de la laveuse à pression.

Avant de lancer le moteur :

- Connecter tous les flexibles.
- Vérifier les niveaux de liquides (lubrifiant et carburant).
- Ouvrir l'eau du tuyau d'arrosage et appuyer sur la gâchette pour purger l'air. Continuer d'appuyer sur la gâchette jusqu'à ce que l'eau s'écoule régulièrement.

NOTE : S'assurer que le robinet est complètement ouvert et que le tuyau ne fuit pas et qu'il n'est pas plié.

Lancement du moteur :

- Ouvrir le robinet de carburant en position ON (MARCHÉ).
- Tirer le levier du volet de départ en position START (DÉMARRAGE).

NOTE: Pour redémarrer après un bref arrêt (comme pour remplir le réservoir de carburant ou un déplacement), laisser le volet de départ à la position « RUN » (ARRÊT).

- Régler le commutateur d'arrêt et démarrage en position ON (MARCHÉ).
- Saisir le poignée du lanceur et corde et le tirer lentement jusqu'à ressentir une certaine résistance. Tirer d'un coup sec sur le lanceur afin de faire démarrer le moteur.

NOTE : Ne pas lâcher le poignée du lanceur et corde brusquement après le démarrage. Le remettre en douceur à sa position d'origine.

- Laisser le moteur tourner pendant quelques secondes, puis pousser le levier d'étrangleur à la position RUN (MARCHÉ).

Arrêt du moteur :

- Régler le commutateur d'arrêt et démarrage en position OFF (ARRÊT).
- Ouvrir le robinet de carburant en position OFF (ARRÊT).
- Fermer l'arrivée d'eau et appuyer sur la gâchette pour libérer la pression d'air.

AVERTISSEMENT :

Pendant le fonctionnement ou lors du rangement, allouez un espace libre de 91,4 cm (3 pi) de chaque côté et au-dessus de la génératrice. Laisser refroidir l'appareil au moins 30 minutes avant de le ranger. La chaleur créée par le tuyau et les gaz d'échappement peut être suffisamment chaude pour causer des brûlures graves ou enflammer des objets combustibles.

FONCTIONNEMENT POIGNÉE DE GÂCHETTE

Voir la figure 14.

Pour un meilleur contrôle et une plus grande sécurité d'utilisation, toujours tenir la poignée de gâchette à deux mains.

- Appuyer sur la gâchette et la maintenir enfoncée pour actionner le nettoyeur haute pression.
- Relâcher la gâchette pour arrêter le jet d'eau de la buse.

Pour engager le verrouillage :

- Appuyer sur le bouton de verrouillage jusqu'à ce qu'il s'enclenche dans la fente.

Pour désengager le verrouillage :

- Appuyer sur le bouton de verrouillage pour le mettre dans sa position originale.

Pour utiliser la lance de pulvérisation, commencer en plaçant la buse à une distance de 30 à 60 cm (1 à 2 pi) de la surface à nettoyer. Se rapprocher lentement de la surface jusqu'à ce que l'intensité de nettoyage soit atteinte. Si la buse est trop proche, le jet peut endommager la surface.

UTILISATION

INSTALLATION/RETRAIT DE BUSE

Voir la figure 15.

AVERTISSEMENT :

NE JAMAIS changer de buse sans d'abord verrouiller le dispositif de verrouillage sur la poignée de gâchette et ne jamais pointer la lance en direction du visage ou d'autres personnes. Le dispositif de raccord rapide contient de petits ressorts qui peuvent éjecter la buse avec force. Le non-respect de cet avertissement pourrait entraîner des blessures.

Pour installer une buse sur la poignée de gâchette :

- Arrêter le nettoyeur et fermer l'arrivée d'eau. **Appuyer sur la gâchette pour relâcher la pression d'eau.**
- Verrouiller la poignée de gâchette en poussant sur le bouton de verrouillage jusqu'à ce qu'il s'engage dans la fente.
- Engager la buse sur le raccord rapide de la lance en veillant à ce qu'elle s'encliquette correctement.

Pour retirer une buse de la poignée de gâchette une fois le nettoyage terminé :

- Arrêter le nettoyeur et fermer l'arrivée d'eau. **Appuyer sur la gâchette pour relâcher la pression d'eau.**
- Verrouiller la poignée de gâchette en poussant sur le bouton de verrouillage jusqu'à ce qu'il s'engage dans la fente.
- Retirer la buse en plaçant sa main au dessus de la buse puis en tirant la collier à connexion rapide vers l'arrière.

UTILISATION DE LA BUSE À PERMUTATION 5 EN 1

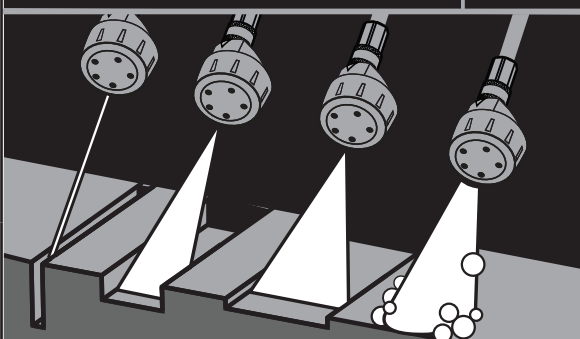




Voir la figure 16.

La buse à permutation 5 en 1 offre cinq formes de jet différentes. Pour choisir une forme de jet, tourner le sélecteur de jets jusqu'au réglage désiré. Consulter le **Guide de sélecteur de buse** pour en savoir plus au sujet de l'utilisation de chaque buse.

UTILISATION DU TUYAU HAUTE PRESSION

Le tuyau haute pression comprend un revêtement extérieur qui permet de renforcer le tuyau. Si le revêtement extérieur est endommagé, il faut remplacer immédiatement le tuyau. **Ne pas utiliser le tuyau haute pression si le revêtement extérieur est endommagé.**

GUIDE DE SÉLECTEUR DE BUSE

		0°	25°	40°	SAVON	PRESSION ÉLEVÉE (AUCUN SAVON LORS DE L'UTILISATION DE CES BUSES)			PRESSION FAIBLE (POUR SAVON OU RINÇAGE LÉGER)	
		0°	25°	40°		0°	25°	40°	Long de gamme	Gamme court
										
Béton, brique, maçonnerie		✓	✓	✓					✓	✓
Parement, gouttières, maison			✓	✓					✓	✓
Clotures, terrasse, patio			✓	✓					✓	✓
Équipement de jardin, bateau, VR			✓	✓					✓	✓
						✓ Buse recommandée ✓ Utiliser avec prudence lors de certaines applications				

UTILISATION

Pour éviter d'endommager le revêtement extérieur :

- Examiner le tuyau avant chaque utilisation.
- Dérouler complètement le tuyau et le raidir avant l'utilisation.
- Ne pas laisser le tuyau haute pression s'entortiller.
- Tenir le tuyau à l'écart des surfaces chaudes et des rebords tranchants.
- Ne pas tirer l'unité par le tuyau haute pression.
- Ne pas laisser le tuyau s'écraser ou s'enrouler autour des objets.

NETTOYAGE AVEC DU DÉTERGENT

Voir les figures 17 à 19.

Au moment de la vente, cette unité est conçue pour être utilisée avec des détergents pour laveuses à pression se trouvant « en aval ». Pour une utilisation avec des détergents se trouvant « en amont », veuillez communiquer avec un centre de service à la clientèle agréé afin d'obtenir de plus amples renseignements.

Utiliser uniquement des détergents conçus pour les nettoyeurs haute pression ; les produits ménagers, les acides, alcalines, agents de blanchiment, solvants, les produits inflammables, ou les solutions qualité industrielle pourraient endommager la pompe. De nombreux détergents ou produits chimiques doivent être mélangés avant l'emploi. Préparer la solution de nettoyage selon les instructions du flacon de solution. Toujours, faire un essai préalable sur une petite surface dissimulée.

- Enlever la capuchon d'une bouteille détergente et verser le détergent pour laveuses à pression dans le réservoir. Remettre le capuchon de réservoir.

NOTE : L'unité est réglée pour une dilution de 1 sur 20, ce qui permet généralement d'utiliser 3,79 l (1 gal) de détergent pour laveuses à pression sans dilution supplémentaire. Vérifier les directives jointes au détergent pour s'assurer qu'aucune dilution supplémentaire n'est nécessaire.

- Installer la buse à permutation 5 en 1 (si nécessaire). Tourner le sélecteur de jets de la buse soit sur le réglage de la portée courte de détergent bleue (♥) ou sur la portée longue de détergent (♣).
- Appuyer sur la gâchette et attendre l'apparition du détergent pendant environ 5 secondes.
- Pulvériser le détergent sur une surface sèche à l'aide de mouvements longs, uniformes, se chevauchant. Pour éviter de laisser des marques, ne pas laisser le détergent sécher sur la surface.

Pour le application détergente long de gamme :

Tourner le sélecteur de jets de manière à régler l'outil pour effectuer des applications à longue portée [♣] avec des détergents lorsque la buse est installée sur la lance d'arrosage et le moteur éteint.

Pour le application détergente de gamme court :

Tourner le sélecteur de jets de manière à régler l'outil pour effectuer des applications à courte portée [♥] avec des détergents lorsque la buse est installée sur la lance d'arrosage et le moteur éteint.

Avant d'arrêter le moteur :

- Remplir le réservoir de détergent avec de l'eau propre.
- Pulvériser l'eau propre par la lance jusqu'à ce que le réservoir soit vide.
- S'il reste du détergent dans la lance, répéter en remplissant à nouveau le réservoir avec de l'eau propre.
- Arrêter le moteur.

NOTE : Couper le moteur [commutateur en position **OFF (O)**] ne relâche pas la pression du système. Tirer sur la gâchette pour relâcher la pression d'eau.

RINÇAGE AVEC LE NETTOYEUR HAUTE PRESSION

- Arrêter le nettoyeur et fermer l'arrivée d'eau. Appuyer sur la gâchette pour relâcher la pression d'eau.
- Verrouiller la poignée de gâchette en poussant sur le bouton de verrouillage jusqu'à ce qu'il s'engage dans la fente.
- Choisir le réglage de buse approprié selon le travail. Consulter le tableau à la page précédente pour choisir le réglage de buse approprié.
- Avant d'utiliser ces réglages, faire d'abord un essai sur une petite zone pour éviter d'endommager la surface.
- Commencer en haut de la zone à rincer et continuer vers le bas en faisant chevaucher les passes.

DÉPLACEMENT DU NETTOYEUR HAUTE PRESSION

Voir la figure 20.

NOTE : Ne jamais soulever ou transporter la machine avec la poignée et ne jamais placer l'unité dans une position autre qu'à la verticale sur ses roues.

- Arrêter le nettoyeur et ouvrir le robinet de carburant en position de arrêt.
- Tirer la poignée vers le haut jusqu'à ce que le bouton de relâchement de la poignée s'enclenche en position de verrouillage (si celle-ci n'est pas déjà relevée et verrouillée). S'assurer que le verrou est solidement enclenché dans le trou du cadre avant de déplacer l'appareil.
- Incliner légèrement l'appareil vers soi jusqu'à ce qu'il soit en équilibre sur les roues, puis rouler vers l'endroit désiré. Ne pas incliner vers l'avant ou les côtés lors du déplacement.
- NE PAS tirer sur aucun tuyau pour tenter de déplacer l'appareil.

FONCTIONNEMENT À ALTITUDE ÉLEVÉE

Des modifications précises sont nécessaires pour le fonctionnement à altitude élevée. Communiquer avec un centre de réparations agréé pour obtenir les renseignements importants au sujet de ces modifications. Faire fonctionner ce moteur à altitude élevée sans avoir fait les modifications adéquates augmentera les émissions du moteur, augmentera la consommation de carburant et diminuera sa performance.

ENTRETIEN

AVERTISSEMENT :

Utiliser exclusivement des pièces identiques à celles d'origine pour les réparations. L'usage de toute autre pièce pourrait créer une situation dangereuse ou endommager l'outil.

AVERTISSEMENT :

Toujours porter une protection oculaire avec écrans latéraux certifiée conforme à la norme ANSI Z87.1. Si cette précaution n'est pas prise, des objets peuvent être projetés dans les yeux et causer des lésions graves.

AVERTISSEMENT :

Avant d'inspecter, nettoyer ou entretenir l'équipement, couper le moteur, attendre que toutes les pièces en mouvement s'arrêtent, déconnecter le fil de la bougie et l'écartier de la bougie. Le non-respect de ces instructions peut entraîner des blessures graves ou des dégâts matériels.

ENTRETIEN GÉNÉRAL

Éviter d'utiliser des solvants pour le nettoyage des pièces en plastique. La plupart des matières plastiques peuvent être endommagées par divers types de solvants du commerce. Utiliser un chiffon propre pour éliminer la saleté, la poussière, l'huile, la graisse, etc.

AVERTISSEMENT :

Ne jamais laisser de liquides tels que le fluide de freins, l'essence, les produits à base de pétrole, les huiles pénétrantes, etc., entrer en contact avec les pièces en plastique. Les produits chimiques peuvent endommager, affaiblir ou détruire le plastique, ce qui peut entraîner des blessures graves.

Seules les pièces figurant sur la liste de contrôle sont conçues pour être réparées ou remplacées par l'utilisateur. Toutes les autres pièces doivent être remplacées dans un centre de réparations agréé.

Avant de lancer le moteur, prendre les précautions suivantes :

- Vérifier que tous les boulons, écrous, etc. sont bien serrés.
- S'assurer que le filtre à air est propre.
- Vérifier les niveaux d'huile moteur et de carburant ; faire l'appoint selon le besoin.
- Regarder si le lieu de travail présente des dangers.
- En cas de vibrations ou bruits excessifs arrêter immédiatement la machine.

ENTRETIEN DE BUSE

Voir la figure 21.

Une pression de pompe excessive (sensation d'impulsion au serrage de la gâchette) peut être le résultat d'une buse bouchée ou sale.

- Arrêter le nettoyeur et fermer l'arrivée d'eau. Appuyer sur la gâchette pour relâcher la pression d'eau.
- Retirer la buse de la lance de pulvérisation.

NOTE : Ne jamais diriger la lance de pulvérisation vers le visage.

- À l'aide d'un trombone droit ou d'un outil pour nettoyer les buses (non fourni), retirer toute matière étrangère engorgeant ou obstruant la buse.
- À l'aide d'un tuyau d'arrosage, rincer les débris de la buse en rinçant à l'envers (en dirigeant le jet de l'extérieur vers l'intérieur).
- Reconnecter la buse sur la lancette.
- Ouvrir l'arrivée d'eau et démarrer le moteur.

NETTOYAGE DU FILTRE À AIR

Voir la figure 22.

Un filtre à air encrassé peut entraîner des difficultés de démarrage, une réduction des performances et raccourcir la vie utile du moteur. Vérifier le filtre à air chaque mois. Pour obtenir un fonctionnement optimal, remplacer le filtre à air au moins une fois par an.

- Pousser le languette le couvercle du filtre à air pour ouvrir et retirer le couvercle du filtre à air.
- Avec précaution, soulever le bord du filtre à air et le tirer.
- Brosser doucement le filtre à air pour le nettoyer.
- Remettre le filtre à air.

NOTE : S'assurer que le filtre est correctement positionné dans le couvercle. Une installation incorrecte du filtre laisse la saleté entrer dans le moteur, entraînant une usure rapide.

- Remettre le couvercle du filtre à air en place.

VÉRIFICATION D'UNE BOUGIE

Voir la figure 23.

- Nettoyer la surface située autour de la base de la bougie d'allumage avant de retirer cette dernière pour garder le moteur exempt de poussière et de débris. Retirer la bougie.
- Nettoyer les dépôts de carbone se trouvant sur l'électrode de la bougie à l'aide d'un nettoie-bougie ou d'une brosse métallique. Remplacer la bougie si elle est usée.
- Vérifier l'écartement des pointes d'électrode. Il doit mesurer entre 0,7 mm (0,028 po) et 0,8 mm (0,032 po). Ajuster l'écartement au besoin en pliant avec précaution l'électrode de mise à la terre.
- Réinstaller la bougie. Serrer fermement.

CHANGEMENT LUBRIFIANT DE MOTEUR

Voir la figure 24.

- Arrêter le moteur.
- Nettoyer la surface située autour du bouchon/jauge du réservoir d'huile, puis le retirer.
- Incliner la laveuse à pression sur le côté tel qu'il est illustré. Vider l'huile dans un contenant approuvé à cet effet.

NOTE : Vidanger huile pendant que le moteur est encore tiède mais pas brûlant. Huile tiède s'écoule plus rapidement et plus complètement.

- Lorsque le carter est complètement vide, remettre la laveuse à pression en position verticale.
- Remplacer lubrifiant par de la nouvelle lubrifiant propre (SAE 30 ou SAE 10W30). Une quantité de 295 à 475 ml (10 à 16 oz) est nécessaire. Ajouter du lubrifiant pour moteur jusqu'à ce que le niveau du lubrifiant se situe dans la zone graduée de la jauge.

NOTE: Consulter les réglementations locales de traitement des déchets dangereux pour l'élimination du carburant.

LUBRIFICATION DU POMPE

La pompe de cet outil sont enduits d'une quantité suffisante de lubrifiant de haute qualité pour la durée de vie de l'outil, dans des conditions d'utilisation normales. Aucune autre lubrification n'est donc nécessaire.

REMISAGE DU NETTOYEUR HAUTE PRESSION

Voir la figure 25.

NOTE : L'utilisation régulière d'un stabilisateur de carburant et d'un protecteur de pompe permettra une meilleure performance de l'appareil et augmentera la durée de vie de la pompe. **Vea la Lista de piezas de repuesto para conocer los tamaños disponibles y los números de pieza de estos elementos y llame a servicio al cliente para realizar un pedido.**

Laisser la machine refroidir pendant environ 30 minutes avant de la remiser. Remiser la machine dans un endroit sec à l'abri des intempéries.

Il est important de remiser ce produit à l'abri du gel. Toujours vider l'eau de tous les flexibles, de la pompe, du réservoir de carburant et du seau de détergent avant de remiser l'équipement.

- Ranger le nettoyeur à haute pression après avoir brûlé tout le carburant en laissant tourner le moteur. L'essence stockée peut s'évaporer en 30 jours.

NOTE : S'assurer que l'alimentation en eau est branchée et ouverte au moment de faire fonctionner le moteur de la laveuse à pression.

- S'assurer que le commutateur marche/arrêt et le robinet de carburant sont en position OFF (ARRÊT).

- Débrancher la connexion d'eau.
- Vider la pompe en tirant environ 6 fois sur le lanceur à rappel. Ceci doit retirer la plupart du liquide de la pompe.

AVIS :

L'utilisation d'un protecteur de pompe est fortement recommandée après chaque utilisation et avant de le ranger afin de prévenir les dommages au joint d'étanchéité et occasionnés par les températures froides pendant le rangement.

- Vider le lubrifiant usagé et le remplacer par un lubrifiant frais et propre comme décrit sous **Changement lubrifiant de moteur** plus haut dans ce manuel.
- Déconnecter le fil de bougie et retirer la bougie. Verser environ une cuillère à thé lubrifiant propre pour moteur quatre temps refroidi par air, par le trou de bougie, dans la chambre de combustion.
- La bougie étant retirée, tirer deux ou trois fois sur le cordon lanceur pour enduire l'intérieur de la paroi de cylindre.
- Inspecter la bougie et nettoyer ou remplacer, selon le besoin.
- Réinstaller la bougie, mais laisser son fil débranché.
- Nettoyer le filtre à air.
- Tirer la corde du lanceur pour vérifier son état. Si elle est usée, la confier immédiatement à un centre de réparations agréé afin de la faire remplacer.
- Retirer tous les flexibles. Embobiner les tuyaux et remiser comme illustré. Ne pas permettre au tuyau pour devenir tortillé.
- Tirer le bouton de relâchement de la poignée vers l'extérieur et abaisser la poignée.
- Remiser l'unité et les accessoires dans un secteur qui n'atteint pas les températures inférieures à 0 °C. Ne pas ranger près de la fournaise ou près des autres sources de chaleur qui pourrait sécher les joint d'étanchéité de pompe.

REMISE EN SERVICE APRÈS REMISAGE

- Tirer trois ou quatre fois la poignée de lanceur à rappel pour évacuer huile de la chambre de combustion.
- Retirer la bougie du cylindre. Essuyer huile de la bougie et la remettre en place dans le cylindre.
- Reconnecter le fil de bougie.
- Approvisionner la machine en carburant, comme indiqué plus haut dans ce manuel d'utilisation.

ENTRETIEN

TABLEAU DE CALENDRIER D'ENTRETIEN PÉRIODIQUE

NOTE : Si un autre manuel du moteur est fourni avec cette nettoyeur haute pression, veuillez respecter le calendrier d'entretien présenté dans le manuel du moteur au lieu de suivre les instructions d'entretien décrites ci-dessous.

Articles d'entretien	Chaque utilisation	Semaines	25 heures	50 heures	200 heures
Vérifier s'il ya des fuites d'eau sous tubulure, dans le carter	•				
Plomberie		•			
Nettoyer la moteur et vérifier les écrous et boulons	•				
Vérifier et remplir l'huile moteur	•				
Changer l'huile moteur (changement initial) ¹	•				
Vérifier la position du filtre d'arrivée d'eau ²	•				
Ajouter un stabilisateur de carburant	•				
Ajouter un protecteur de pompe	•				
Changer l'huile moteur				•	
Vérifier la bougie				•	
Nettoyer le filtre à air			•		
Remplacer le filtre à air					•
Nettoyer et régler la bougie et électrode				•	
Remplacer la bougie					•

¹ Le changement d'huile initial doit être exécuté après les 20 premières heures de fonctionnement. Par la suite, changer l'huile toutes les 100 heures d'utilisation.

² Un filtre d'arrivée d'eau manquant ou endommagé doit être remplacé. Voir la liste des pièces de rechange pour connaître le numéro de pièce avant de passer une commande.

NOTE : Si vous avez des doutes sur l'une ou l'autre des activités d'entretien décrites précédemment, confier l'unité à un centre de réparations agréé pour que l'opération requise y soit effectuée.

DÉPANNAGE

PROBLÈME	CAUSE	SOLUTION
Le moteur ne démarre pas	<p>Pas de carburant dans le réservoir</p> <p>Bougie encrassée ou noyée</p> <p>La bougie est cassée (porcelaine fissurée ou électrodes cassées)</p> <p>Fil d'allumage en court-circuit, coupé ou débranché</p> <p>Pas d'allumage</p>	<p>Remplir le réservoir</p> <p>Remplacer la bougie</p> <p>Remplacer la bougie</p> <p>Remplacer le fil ou le brancher sur la bougie</p> <p>Contacter un centre de réparations agréé</p>
Moteur difficile à démarrer	<p>Eau dans le carburant</p> <p>Étincelle de bougie faible</p>	<p>Vidanger l'ensemble du système et remplir de carburant frais</p> <p>Contacter un centre de réparations agréé</p>
Le moteur manque de puissance	<p>Filtre à air encrassé</p> <p>La présence d'air dans le conduit nuit au fonctionnement du mécanisme de passage au ralenti.</p>	<p>Nettoyer ou remplacer le filtre à air</p> <p>Afin de purger l'air du conduit, éteindre le moteur et appuyer sur la gâchette jusqu'à ce que de l'eau s'écoule de la lance.</p>
Le détergent ne se mélange pas au jet d'eau	<p>Le sélecteur de jets de la buse à permutation 5 en 1 est réglé à 40°, 25° ou 0°.</p> <p>Le réservoir de détergent est vide</p>	<p>Tourner le sélecteur de jets de la buse à permutation 5 en 1 de manière à régler l'outil pour effectuer des applications à longue portée [☛] ou à courte portée [♥] avec des détergents.</p> <p>Ajouter du détergent dans le réservoir de détergent</p>
La pompe ne produit pas de pression	<p>Le sélecteur de jets de la buse à permutation 5 en 1 est réglé à détergent à courte portée [♥] ou détergent à longue portée [☛].</p> <p>Débit d'alimentation en eau insuffisant</p> <p>La poignée de gâchette ou fuites à la lance de pulvérisation</p> <p>Buse obstruée</p> <p>Air dans la ligne</p> <p>Fuite du tuyau</p> <p>Tuyau plié</p> <p>Étrangleur en position MARCHE</p> <p>Pompe défectueuse</p>	<p>Tourner le sélecteur de jets de la buse à permutation 5 en 1 de manière à régler l'outil pour effectuer des applications à 40°, 25°, or 0°.</p> <p>Fournir un débit d'eau adéquat</p> <p>Vérifier des connexions et/ou remplacer la lancette</p> <p>Nettoyer la buse</p> <p>Appuyer sur la gâchette de la lancette pour chasser l'air de la conduite</p> <p>Remplacer le tuyau</p> <p>Éliminer le pli du tuyau</p> <p>Déplacer l'étrangleur vers la position OFF (ARRÊT)</p> <p>Contacter un centre de réparations agréé</p>
La machine ne parvient pas à la pression correcte de fonctionnement	<p>Diamètre du flexible insuffisant</p> <p>Arrivée d'eau réduite</p> <p>Alimentation en eau insuffisante</p> <p>Le sélecteur de jets de la buse à permutation 5 en 1 est réglé à détergent à courte portée [♥] ou détergent à longue portée [☛].</p>	<p>Remplacer par un tuyau d'arrosage de 3/4 po (19 mm)</p> <p>S'assurer que le tuyau n'est pas entortillé ou obstrué et qu'il ne présente pas de fuites</p> <p>Ouvrir complètement le robinet d'eau</p> <p>Tourner le sélecteur de jets de la buse à permutation 5 en 1 de manière à régler l'outil pour effectuer des applications à 40°, 25°, or 0°.</p>

GARANTIE

ÉNONCÉ DE LA GARANTIE LIMITÉE HORS MOTEUR

Techtronic Industries North America, Inc., garantit à l'acheteur original que ce produit la rondelle de pression de marque RYOBI® est exempt de tout vice de matériau ou de fabrication et s'engage à réparer ou remplacer gratuitement, à son choix, tout produit s'avérant défectueux au cours des périodes indiquées ci-dessous, à compter de la date d'achat.

- Trois ans si le produit est utilisé par des particuliers ;
- 90 jours un an si un des produits ci-dessus est utilisé à toutes autres fins, telles que les travaux commerciaux et la location.

Cette garantie n'est offerte qu'à l'acheteur original et entre en vigueur à la date de l'achat original.

Toute pièce de ce produit fabriquée ou fournie par Techtronic Industries North America, Inc., et estimée défectueuse, selon le jugement raisonnable de Techtronic Industries North America, Inc., en ce qui concerne la fabrication ou la main-d'œuvre, sera réparée ou remplacée sans frais pour les pièces et la main-d'œuvre par un centre de service autorisé RYOBI® agréé.

Le produit, y compris toutes les pièces défectueuses, devra être retourné à un centre de réparations RYOBI® agréé avant expiration de la période de garantie. Les frais d'expédition au centre de réparations et de retour au propriétaire du produit après la réparation ou le remplacement seront assumés par le propriétaire. La responsabilité de Techtronic Industries North America, Inc., en ce qui concerne les réclamations en garantie se limitera aux réparations ou au remplacement des produits défectueux et aucune revendication de rupture de garantie ne pourra causer l'annulation ou la résiliation du contrat de vente d'un produit RYOBI® quel qu'il soit. Une preuve d'achat sera exigée par le centre de réparation, afin de valider toute réclamation au titre de la garantie. Tous les travaux sous garantie doivent être effectués par un centre de service autorisé RYOBI® agréé.

Cette garantie ne couvre pas le produit de marque ayant fait l'objet d'un usage abusif ou négligent, d'un manque d'entretien, ayant été impliqués dans un accident ou employés de façon contraire aux instructions du manuel du propriétaire. Cette garantie ne couvre ni les dommages aux produits le produit de marque résultant d'un entretien incorrect, ni le produit de marque altérés ou modifiés de façon à nuire au fonctionnement, aux performances et à la durabilité ou dans le but de l'utiliser pour un usage autre que celui pour lequel il a été conçu. La garantie exclut les réparations rendues nécessaires par l'usure normale ou l'utilisation de pièces et accessoires incompatibles avec produit la rondelle de pression de marque RYOBI® ou nuisibles à son bon fonctionnement, ses performances ou sa durabilité.

En outre, cette garanti exclut :

A. Les réglages – Filtres à air, filtres à gaz, carburateurs, bougies

B. Les articles d'usure – Tuyaux, raccords de connecteur, buses de pulvérisation, poignée de gâchette, lance à pulvérisation, roues, seau de détergent, réservoir de produits chimiques

Techtronic Industries North America, Inc., se réserve le droit d'apporter des modifications ou améliorations à tout produit la rondelle de pression de marque RYOBI®, sans obligation de modifier les produits fabriqués antérieurement.

LA DURÉE DE TOUTES LES GARANTIES IMPLICITES NE SAURAIT EN AUCUN CAS EXCÉDER LA PÉRIODE DE GARANTIE DÉCLARÉE. PAR CONSÉQUENT, TOUTES LES GARANTIES IMPLICITES, Y COMPRIS LES GARANTIES DE VALEUR MARCHANDE, D'ADÉQUATION À UN USAGE PARTICULIER, OU AUTRES, SERONT INVALIDÉES À L'EXPIRATION DE LA PÉRIODE DE GARANTIE EXPLICITE DE TROIS ANS OU 90 JOURS. LES OBLIGATIONS TECHTRONIC INDUSTRIES NORTH AMERICA, INC., DANS LE CADRE DE CETTE GARANTIE SE LIMITENT EXCLUSIVEMENT À LA RÉPARATION OU AU REMPLACEMENT DES PIÈCES DÉFECTUEUSES ET TECHTRONIC INDUSTRIES NORTH AMERICA, INC., N'ASSUME OU N'AUTORISE QUICONQUE À ASSUMER EN LEUR NOM QUELQUE AUTRE OBLIGATION QUE CE SOIT. CERTAINS ÉTATS ET PROVINCES NE PERMETTANT PAS DE LIMITATION DE DURÉE DES GARANTIES IMPLICITES, LES RESTRICTIONS CI-DESSOUS PEUVENT NE PAS ÊTRE APPLICABLES. RYOBI® DÉCLINE TOUTE RESPONSABILITÉ EN CE QUI CONCERNE LES DOMMAGES DIRECTS, INDIRECTS OU AUTRES, Y COMPRIS, MAIS SANS S'Y LIMITER, LES FRAIS DE RETOUR DE PRODUITS TECHTRONIC INDUSTRIES NORTH AMERICA, INC. À UN ENTRETENIR LE CENTRE DE RÉPARATIONS RYOBI® AGRÉÉ ET DE RENVOI AU PROPRIÉTAIRE, DE DÉPLACEMENT D'UN TECHNICIEN, DE TÉLÉPHONE OU TÉLÉGRAMME, DE LOCATION D'UN PRODUIT SIMILAIRE PENDANT LA DURÉE DES RÉPARATIONS SOUS GARANTIE, DE DÉPLACEMENT, DE PERTES OU DOMMAGES À DES BIENS PERSONNELS, DE MANQUE À GAGNER, DE PERTE D'USAGE DU PRODUIT, DE PERTE DE TEMPS OU DE DÉRANGEMENT. CERTAINS ÉTATS N'AUTORISANT PAS L'EXCLUSION OU LA LIMITATION DES DOMMAGES DIRECTS OU INDIRECTS, LES LIMITATIONS ET EXCLUSIONS CI-DESSOUS PEUVENT DONC NE PAS S'APPLIQUER À TOUS LES CAS.

Cette garantie donne au consommateur des droits spécifiques, et celui-ci peut bénéficier d'autres droits, qui varient selon les états ou provinces.

Cette garantie couvre tous produit la rondelle de pression de marque RYOBI® distribué par Techtronic Industries North America, Inc. et vendus aux États-Unis, Mexique, et au Canada.

Pour obtenir l'adresse du centre de réparations RYOBI® agréé le plus proche, appeler le 1-800-860-4050 ou visiter notre site Internet à l'adresse www.ryobitools.com.

INSTRUCCIONES DE SEGURIDAD IMPORTANTES



ADVERTENCIA:

Lea y comprenda todas las instrucciones. El incumplimiento de todas las instrucciones siguientes puede causar descargas eléctricas, incendio o intoxicación por monóxido de carbono, lo cual puede causar la muerte o lesiones graves.

GUARDE ESTAS INSTRUCCIONES ÁREA DE TRABAJO




- **Familiarícese con la herramienta.** Lea cuidadosamente el manual del operador. Aprenda los usos y limitaciones de la máquina, así como los posibles peligros específicos de esta herramienta.
- **Mantenga las protecciones en su lugar** y en buenas condiciones de trabajo. Nunca utilice la herramienta con ninguna de las protecciones o cubiertas quitadas. Asegúrese de que todas las protecciones estén funcionando de forma correcta antes de utilizar la unidad.
- **Retire toda llave y herramienta de ajuste.** Adquiera el hábito de verificar que se haya retirado de la herramienta eléctrica toda llave y herramienta de ajuste antes de encenderla.
- **Para reducir el riesgo de lesiones,** mantenga a alejados a niños y demás circunstantes. Todos los presentes deben llevar puestos anteojos de seguridad y permanecer a una distancia segura del área de trabajo.
- **Mantenga alejadas del área de trabajo a todas las personas,** particularmente a los niños de corta edad, y también a las mascotas.
- **No haga arrancar o funcionar el motor en un espacio confinado, de edificio, cerca de ventana abiertas, o en otro área sin ventilación donde se puedan recolectar las emanaciones de monóxido de carbono.** El monóxido de carbono, un gas incoloro, inodoro y sumamente peligroso, puede causar la pérdida de la conciencia o la muerte.
- **Use la herramienta adecuada a la tarea.** No fuerce la herramienta ni ningún accesorio a efectuar tareas para las que no están hechos. No la use para propósitos no indicados en las instrucciones.
- **Vístase adecuadamente.** No vista ropas, guantes, corbatas o joyas holgadas. Pueden resultar atrapadas y tirar de usted hacia piezas en movimiento. Se recomiendan guantes y calzado antiderrapantes al trabajar al aire libre. Si tiene el pelo largo cúbrase de alguna manera para contenerlo.
- **No accione el equipo cuando esté descalzo o al llevar puestas sandalias o calzado liviano similar.** Use calzado de seguridad que le proteja sus pies y mejore su postura en superficies resbaladizas.
- **Tenga suma precaución para evitar resbalarse o caer.**
- **Siempre póngase protección ocular con protección lateral con la marca de cumplimiento de la norma ANSI Z87.1.** Con el cumplimiento de esta regla se reduce el riesgo de lesiones corporales serias.
- **No se estire ni se pare en un soporte inestable.** Mantenga una postura firme y buen equilibrio en todo momento.
- **Utilice sólo accesorios recomendados.** El empleo de accesorios inadecuados puede presentar riesgos de lesiones.
- **Siga las instrucciones de la mantenimiento especificadas en este manual.**
- **Inspeccione las piezas dañadas.** Antes de seguir utilizando la herramienta, es necesario inspeccionar cuidadosamente toda protección o pieza dañada para determinar si funcionará correctamente y desempeñará la función a la que está destinada. Verifique la alineación de las partes móviles, que no haya atoramiento de las mismas, que no haya piezas rotas, el montaje de las piezas y cualquier otra condición que pudiera afectar su funcionamiento. Toda protección o pieza que esté dañada debe repararse apropiadamente o reemplazarse en un centro de servicio autorizado.
- **Nunca deje desatendida ninguna herramienta en funcionamiento. Apague la herramienta.** No se aleje de la herramienta hasta no verla completamente detenida.
- **Conserve el motor limpio de césped, hojas o grasa** a fin de reducir el riesgo de incendio.
- **Mantenga el tubo de escape libre de objetos extraños.**
- **Siga las recomendaciones del fabricante para lograr la carga, descarga, transporte y almacenamiento seguros de la máquina.**
- **Familiarícese completamente con los controles.** Aprenda a detener la máquina y a liberar rápidamente la presión.
- **Mantenga la herramienta seca, limpia y libre de aceite y grasa.** Siempre utilice un paño limpio para la limpieza de la unidad. Nunca utilice fluidos para frenos, gasolina, productos a base de petróleo ni solventes para limpiar la herramienta.
- **Permanezca alerta y en control.** Preste atención a lo que esté haciendo y aplique el sentido común. No utilice la herramienta cuando esté cansado. No se apresure.
- **No utilice la unidad si se encuentra bajo los efectos de drogas, alcohol o medicamentos.**
- **Revise el área de trabajo cada vez antes de utilizar esta herramienta.** Retire todos los objetos como piedras, vidrio roto, clavos, alambre o cuerda que puedan salir disparados o enredarse en la máquina.
- **No utilice la herramienta si el interruptor no apaga.** Lleve todo interruptor defectuoso a un centro de servicio autorizado para que lo reparen.
- **Antes de limpiar, reparar o inspeccionar la máquina,** apague el motor y cerciórese de que se hayan detenido todas las partes en movimiento. Desconecte el cable de la bujía, y mantenga dicho cable alejado de la bujía para evitar el arranque accidental de la unidad.
- **Evite tener un entorno de trabajo peligroso.** No utilice herramientas eléctricas en lugares húmedos o mojados ni las exponga a la lluvia. Mantenga bien iluminada el área de trabajo.
- **Nunca utilice la unidad en una atmósfera explosiva.** El chispeo normal del motor podría encender los gases presentes.
- **No utilice la unidad mientras fuma ni cerca de llamas abiertas.**
- **No utilice la unidad cerca de vegetación o ramas secas,** paños de textiles ni otros materiales inflamables.
- **ADVERTENCIA: Riesgo de inyección o de lesión** – No dirija el chorro hacia las personas.

REGLAS DE SEGURIDAD ESPECÍFICAS





- **Sea precavido cuando posicione la lavadora de presión para usarla.** El aire tibio que sale del motor podría causar áreas puntuales descoloridas en el césped.
- **Nunca dirija un chorro de agua en dirección de personas o animales, ni hacia dispositivos eléctricos.**
- **Antes de iniciar cualquier operación de limpieza,** cierre puertas y ventanas. Despeje el área a limpiar y elimine cualesquier desechos, juguetes, muebles de patio u otros objetos que pudiesen crear un peligro.
- **Nunca alce ni transporte una máquina mientras se encuentre en marcha.**
- **Nunca ponga en marcha la máquina** si se ha formado hielo en cualquier parte del equipo.
- **No use soluciones ácidas, alcalinas, solventes, materiales inflamables o de grado industrial** en este producto. Estos productos pueden causar lesiones físicas al operador y daños irreparables a la máquina.
- **Siempre ponga en marcha la máquina** en superficies niveladas. Si el motor se encuentra inclinado, podría agarrotarse debido a la lubricación insuficiente (incluso con el nivel de aceite al máximo).
- **ADVERTENCIA: Los chorros de alta presión pueden ser peligrosos si se utilizan indebidamente.** Nunca dirija el chorro a personas, animales, dispositivos eléctricos ni a la máquina misma.
- **Sujete el mango y el tubo firmemente con ambas manos.** Se espera que el mango del gatillo se mueva cuando se tire del gatillo como consecuencia de las fuerzas de reacción. La inobservancia de esta advertencia podría causar pérdida de control y lesiones a usted y a otras personas.
- **Nunca intente efectuar ajuste alguno mientras el motor está en marcha** (excepto cuando así lo recomiende específicamente el fabricante).
- **Cuando el motor esté en marcha, es imperativo que las cubiertas de protección cubran las partes en movimiento.**
- **Mantenga la entrada de aire de enfriamiento** (el área del arrancador retráctil) y el lado del silenciador alejados un mínimo de 91 cm (tres pies) de cualquier edificación, obstrucciones y otros objetos combustibles.
- **Mantenga alejado el motor de materiales inflamables y de otros materiales peligrosos.**
- **Evite el contacto con las partes calientes de la unidad.** El silenciador y otras partes del motor se calientan mucho; tenga precaución.
- **No toque la bujía ni el cable de ignición** durante el arranque ni durante el funcionamiento del motor.
- **Cada vez antes de usar la unidad, inspeccione las mangueras de combustible y los acoplamientos pertinentes** para verificar que no estén flojos ni haya derrames de combustible.
- **Antes de cada uso, inspeccione los pernos y las tuercas** para verificar que están apretados. Una tuerca o perno sueltos pueden causar problemas graves en el motor.
- **Siempre reabastezca el combustible al aire libre.** Nunca reabastezca el combustible en espacios interiores ni en áreas con ventilación insuficiente.
- **Nunca guarde la máquina con combustible en el tanque dentro de un edificio** donde haya presentes fuentes de ignición, como el agua caliente y calentadores locales, secadoras de ropa y cosas parecidas.
- **Si es necesario vaciar el tanque de combustible, hágalo al aire libre.**
- **Para reducir el riesgo de incendio o de lesiones por quemadura,** maneje con cuidado el combustible. Es sumamente inflamable.
- **No fume mientras esté mezclando el combustible o reabasteciendo el tanque.**
- **Reabastezca de combustible la unidad antes de arrancar el motor.** Nunca retire la tapa del tanque de combustible ni lo reabastezca mientras esté encendida o caliente la unidad.
- **Afloje la tapa del tanque de combustible lentamente** para aliviar la presión y evitar que se escape combustible por la tapa.
- **Vuelva a colocar firmemente la tapa del tanque de combustible y la del recipiente.**
- **Limpie todo el combustible que se haya derramado de la unidad.** Aléjese por lo menos 9 metros (30 pies) del sitio de reabastecimiento de combustible antes de encender el motor.
- **Si se derrama combustible,** no intente arrancar el motor; aleje la máquina del área del derramamiento y evite causar una fuente de ignición hasta que se disipen los vapores del combustible.
- **Nunca intente en ninguna circunstancia eliminar el combustible derramado quemándolo.**
- **Antes de guardar la unidad deje que se entrie el motor y drene el combustible de la unidad.**
- **Guarde la unidad en un lugar frío y bien ventilado,** a una distancia segura de todo el equipo generador de chispas o llamas.
- **Guarde el combustible en recipientes diseñados específicamente para tal fin.**
- **Antes de transportar la unidad en un vehículo, vacíe el tanque de combustible e inmovilícela.**
- **Al dar servicio a la unidad, sólo utilice piezas de repuesto idénticas.** El empleo de piezas diferentes puede causar un peligro o dañar el producto.
- **Use SOLAMENTE agua fría.**
- **Asegúrese de que haya una distancia mínima de 914 mm (tres pies) de todo material combustible.**
- **Nunca rocíe cierra a la superficie** para ser limpiado como usted puede dañar la superficie.
- **Después de apagar el motor, siempre tire del gatillo que se encuentra en el mango del gatillo para purgar la presión almacenada en la manguera de alta presión.** La inobservancia de esta advertencia podría causar lesiones corporales graves.
- **Para usarse sólo en el exterior.**
- **Asegúrese de que la manguera de alta presión esté conectada adecuadamente antes de usar el producto.**
- **Guarde estas instrucciones.** Consúltelas frecuentemente y utilícelas para instruir a otros usuarios. Si presta a alguien esta herramienta, facilítele también las instrucciones.

SÍMBOLOS

Las siguientes palabras de señalización y sus significados tienen el objeto de explicar los niveles de riesgo relacionados con este producto.



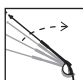


SÍMBOLO	SEÑAL	SIGNIFICADO
	PELIGRO:	Indica una situación peligrosa inminente, la cual, si no se evita, causará la muerte o lesiones serias.
	ADVERTENCIA:	Indica una situación peligrosa posible, la cual, si no se evita, podría causar la muerte o lesiones serias.
	PRECAUCIÓN:	Indica una situación potencialmente peligrosa la cual, si no se evita, puede causar lesiones leves o moderadas.
	AVISO:	(Sin el símbolo de alerta de seguridad) Indica información importante no relacionada con ningún peligro de lesiones, como una situación que puede ocasionar daños físicos.

Es posible que se empleen en esta producto algunos de los siguientes símbolos. Le suplicamos estudiarlos y aprender su significado. Una correcta interpretación de estos símbolos le permitirá utilizar mejor y de manera más segura la producto.

SÍMBOLO	NOMBRE	DENOMINACIÓN/EXPLICACIÓN
	Alerta de seguridad	Indica un peligro posible de lesiones personales.
	Lea manual del operador	Para reducir el riesgo de lesiones, el usuario debe leer y comprender el manual del operador antes de usar este producto.
	Protección ocular	Siempre póngase protección ocular con protección lateral con la marca de cumplimiento de la norma ANSI Z87.1.
	Alerta de condiciones húmedas	No exponga la unidad a la lluvia ni la use en lugares húmedos.
	Superficie caliente	Para reducir el riesgo de lesiones corporales o daños materiales evite tocar toda superficie caliente.
	Riesgo de inyecciones	Para reducir el riesgo de una inyección o lesión, nunca dirija un chorro de agua hacia personas o mascotas ni ponga ninguna parte del cuerpo en el chorro. Las fugas presentes en mangueras y acopladores también pueden causar lesiones por inyección. No sujete ninguna manguera ni acoplador.
	Riesgo de explosión	El combustible y los vapores del mismo son explosivos y pueden causar quemaduras graves e incluso la muerte.

SÍMBOLOS

Es posible que se empleen en esta producto algunos de los siguientes símbolos. Le suplicamos estudiarlos y aprender su significado. Una correcta interpretación de estos símbolos le permitirá utilizar mejor y de manera más segura la producto.

SÍMBOLO	NOMBRE	DENOMINACIÓN/EXPLICACIÓN
	Riesgo de incendio	El combustible y los vapores del mismo son extremadamente inflamables y explosivos. El fuego puede causar quemaduras graves e incluso la muerte.
	Emanaciones tóxicas	Los aparatos de gasolina emiten monóxido de carbono, un gas tóxico incoloro e inodoro. Si se inhala monóxido de carbono puede causarse náusea, desmayo o la muerte.
	Contragolpe	Para reducir el riesgo de lesiones por un contragolpe, sujete firmemente el tubo rociador con ambas manos cuando esté encendida la máquina.
	Descarga eléctrica	Si no se usa la unidad en condiciones secas y no se observan prácticas seguras de trabajo, puede producirse una descarga eléctrica.
	Quemaduras químicas	Para reducir el riesgo de lesiones o daños físicos, NO USE SOLUCIONES ÁCIDAS, ALCALINAS, BLANQUEADORES, SOLVENTES, MATERIALES INFLAMABLES O DE GRADO INDUSTRIAL en este producto.

CARACTERÍSTICAS

ESPECIFICACIONES DEL PRODUCTO

Capacidad del tanque de combustible	3,6 litros (0,96 gal)
Motor Honda GCV190.....	187cc
Volumen de llenado de lubricante	Aprox. 283 a 473 ml (10 a 16 onzas)
Presión máxima*.....	3 100 psi
Flujo máximo*.....	9,46 LPM (2,5 gpm)
Temperatura máxima de agua de cala	40 °C (104 °F)

*Máximo que valora determinado por el estándar de PWMA 101

FAMILIARÍCESE CON LA LAVADORA DE PRESIÓN

Vea la figura 1.

Para usar este producto con la debida seguridad se debe comprender la información indicada en la herramienta misma y en este manual, y se debe comprender también el trabajo que intenta realizar. Antes de usar este producto, familiarícese con todas las características de funcionamiento y normas de seguridad del mismo.

BOQUILLA INTERCAMBIABLE 5 EN 1

La boquilla intercambiable 5 en 1 hace que sea más fácil cambiar los patrones de rociado.

SISTEMA AUTOMÁTICO DE INYECCIÓN DE DETERGENTE

Vierta detergente para lavadoras a presión en el tanque de detergente para aplicar detergente rápida y fácilmente en su trabajo de limpieza. El uso de la boquilla para jabón activará el inyector de detergente con una razón de dilución de 20:1.

TANQUE DE COMBUSTIBLE

Este tanque de combustible tiene una capacidad de 3,6 litros (0,96 gal). Use gasolina sin plomo para vehículos.

MOTOR HONDA GCV190

Este motor permite a la lavadora a presión alcanzar 3 100 psi (libras por pulgada cuadrada) a una velocidad de 9,46 LPM (2,5 gpm) (galones por minuto). Lea el manual del motor incluido con este producto.

ALMACENAMIENTO DE LA MANGUERA DE ALTA PRESIÓN

Una vez que la manguera de alta presión esté enrollada, cuélguela en la parte trasera de la máquina utilizando la tira de gancho y lazada para ajustarla correctamente.

DISMINUCIÓN DE LA VELOCIDAD DE RALENTÍ

La velocidad de ralentí del motor se reduce automáticamente cuando se suelta el gatillo. Esta característica aumenta la eficiencia del combustible, reduce el nivel de ruido y disminuye el desgaste durante la vida útil de la lavadora a presión.

INTERRUPTOR DE ENCENDIDO Y APAGADO

El interruptor de encendido y apagado se utiliza en combinación con el mango del arrancador retráctil para arrancar del motor. Además se utiliza para apagar del motor.

SUPRESOR DE CHISPAS

Este motor no está equipado de fábrica con un supresor de chispas. En algunas áreas es ilegal el operar un motor sin supresor de chispas. Hay disponible un supresor de chispas llame al departamento de atención al consumidor y le brindaremos asistencia.

MANGO DEL ARRANCADOR Y CUERDA

Con un tirón del mango del arrancador y cuerda se arranca el motor.

VÁLVULA DE DESCARGA TÉRMICA

Este dispositivo de la bomba evita que la temperatura del agua alcance un nivel peligroso; para ello, deja salir una pequeña cantidad de agua por una manguera de caucho. Una vez salida el agua, la válvula de descarga térmica se reinicializa automáticamente.

MANGO DEL GATILLO

El mango del gatillo dispone de una superficie de sujeción ranurada la cual proporciona control adicional de dicho tubo y reduce la fatiga del operador.

GATILLO CON SEGURO

Al tirar del gatillo sale un chorro de agua para limpiar con alta presión. El seguro ofrece protección contra todo uso no autorizado.

ARMADO

DESEMPAQUETADO

Este producto requiere armarse.

- Extraiga cuidadosamente de la caja la herramienta y los accesorios. Asegúrese de que estén presentes todos los artículos enumerados en la lista de empaquetado.

NOTA: Esta herramienta es pesada. Para evitar sufrir lesiones en la columna, levante con las piernas, no con la espalda, y obtenga ayuda cuando sea necesario.

ADVERTENCIA:

No utilice este producto si alguna pieza incluida en la lista de contenido ya está ensamblada al producto cuando lo desempaqueta. El fabricante no ensambla las piezas de esta lista en el producto. Éstas deben ser instaladas por el usuario. El uso de un producto que puede haber sido ensamblado de forma inadecuada podría causar lesiones personales graves.

- Inspeccione cuidadosamente la herramienta para asegurarse de que no haya sufrido ninguna rotura o daño durante el transporte.
- No deseche el material de empaquetado hasta que haya inspeccionado cuidadosamente la herramienta y la haya utilizado satisfactoriamente.
- Si hay piezas dañadas o faltantes, le suplicamos llamar al 1-800-860-4050, donde le brindaremos asistencia.

LISTA DE EMPAQUETADO

Lavadora de presión
Manguera de alta presión de 7,6 m (25 pies)
Almacenamiento de mango del gatillo
Soporte del tubo rociador
Perno de cuello grueso (1/4-20 x 2,27 pulg.)
Tornillo (1/4-20 x 1,85 pulg.)
Perno de cuello grueso (1/4-20 x 1,85 pulg.)
Tuerca (3)
Mango del gatillo
Tubo rociador
Boquilla intercambiable 5 en 1
Arandela
Lubrificante motor 4 temps (SAE 30 ou SAE 10W30)
Embudo descartable
Almacenamiento de la manguera de alta presión
Manuel d'utilisation

ADVERTENCIA:

Si hay piezas dañadas o faltantes, no utilice esta herramienta sin haber reemplazado todas las piezas. Usar este producto con partes dañadas o faltantes puede causar lesiones serias al operador.

ADVERTENCIA:

No intente modificar esta herramienta ni hacer accesorios no recomendados para la misma. Cualquier alteración o modificación constituye maltrato, el cual puede causar una condición peligrosa, y como consecuencia posibles lesiones serias.

ADVERTENCIA:

Para evitar un arranque accidental que podría causar lesiones corporales graves, siempre desconecte el cable de la bujía del motor de la bujía misma al ensamblar las piezas.

HERRAMIENTAS NECESARIAS

Vea la figura 2.

Para armar la unidad se necesitan las siguientes herramientas (no incluido o dibujado para escalar):

- Llave combinación de 7/16 pulg.
- Destornillador phillips

LEVANTAR Y BAJAR EL MANGO

Vea la figura 3.

- Para levantar el mango: tire del mango hacia arriba hasta que la perilla del mango de aseguramiento pase a través de la ranura correspondiente y asegure el mango en su lugar.
- Para bajar mango: tire la perilla del mango fuera entonces baja el mango a la posición como se muestra en la figura 3.

INSTALACIÓN DEL ALMACENAMIENTO DE MANGO DEL GATILLO, SOPORTE DEL TUBO ROCIADOR Y SOPORTE DE ALMACENAMIENTO DE LA MANGUERA

Vea la figuras 4 y 5.

- Levantar el mango como se describe en la sección **Levantarse y Bajar el Mango**.
- Coloque el almacenamiento de la manguera de alta presión en el mango como mostrado.
- Alinee los agujeros en el almacenamiento de la manguera de alta presión con los agujeros en el mango.
- Introduzca el perno de cuello grueso corto (1/4-20 x 1,85 pulg.) por los agujeros del lado izquierdo del mango y del soporte de almacenamiento de la manguera.
- Enrosque la tuerca hexagonal en el perno de cuello grueso corto y ajuste firmemente.
- Coloque el almacenamiento de mango del gatillo en el mango como mostrado.
- Alinee los agujeros en el almacenamiento de mango del gatillo con los agujeros en el almacenamiento de la manguera de alta presión y el mango.
- Introduzca el perno de cuello grueso largo (1/4-20 x 2,27 in.) por los agujeros en el mango, el soporte de almacenamiento de la manguera y el mango del gatillo.
- Coloque la arandela en el perno. Luego, coloque la tuerca en el perno y apriétela.
- Coloque el soporte del tubo rociador en el armazón.
- Alinee los agujeros en el soporte del tubo rociador con los agujeros en el armazón.
- Introduzca el tornillo (1/4-20 x 1,85 pulg.) por los agujeros en el soporte del tubo rociador y el armazón.
- Enrosque la tuerca en el tornillo y ajuste firmemente.

ARMADO

ARMADO DE MANGO DEL GATILLO

Vea la figura 6.

- Coloque el extremo del tubo de roscado en el conector del extremo el mango del gatillo.
- Gire a la derecha el conector hasta que se detenga. De esta manera se asegura en su lugar el tubo de rociado.

CONECTAR DE LA MANGUERA DE ALTA PRESIÓN AL MANGO DEL GATILLO

Vea la figura 7.

- Enrosque el casquillo de la manguera de alta presión en el acoplador de entrada el mango del gatillo; para ello, gire a la derecha el casquillo de la manguera. Apriete firmemente.

NOTA: Tenga cuidado de no trasroscar la rosca, ya que esto podría provocar que el mango del gatillo pierda durante su uso.

- Tire de la manguera para asegurarse de que esté debidamente asegurada.

CONECTAR DE LA MANGUERA DE ALTA PRESIÓN A LA BOMBA

Vea la figura 8.

- Desenrolle y enderece completamente la manguera de alta presión para evitar la formación de acodaduras.

NOTA: Vea **Uso de la manguera de alta presión** en la sección *Funcionamiento* para obtener más información sobre el uso de la manguera de alta presión.

- Alinee el casquillo con la conexión roscada de la bomba.
- Coloque el extremo del casquillo de la manguera de alta presión en la conexión roscada.
- Gire a la derecha el casquillo y fije firmemente la manguera a la bomba.

NOTA: Tenga cuidado de no trasroscar la rosca, ya que esto podría provocar que la manguera pierda durante su uso.

- Tire de la manguera para asegurarse de que esté debidamente asegurada.

CÓMO CONECTAR UNA MANGUERA DE JARDÍN A LA LAVADORA DE PRESIÓN

Vea la figura 9.

AVISO:

Siempre observe las normas locales cuando conecte las mangueras a la tubería principal de agua. En algunas áreas existen restricciones para la conexión directa al suministro público de agua potable a fin de evitar la retroalimentación de químicos al suministro de agua potable. La conexión directa a través de un tanque receptor o de una válvula contra reflujo suele estar permitida.

El suministro de agua debe venir de la tubería principal de agua. **NUNCA** use agua caliente o agua de piscinas, lagos, etc. Antes de conectar una manguera de jardín a la lavadora de presión:

- Deje correr agua por la manguera durante 30 segundos para limpiar toda la basura que pueda haber en el interior de la misma.
- Inspeccione el cedazo de la entrada de agua.
- Si está dañado el cedazo, no utilice la máquina sino hasta haber reemplazado aquél.
- Si está sucio el cedazo, límpielo antes de conectar la manguera de jardín a la máquina.

Para conectar una manguera de jardín a la máquina:

- Desenrolle completamente la manguera de jardín o quítela completamente del carrete para evitar la formación de acodaduras.

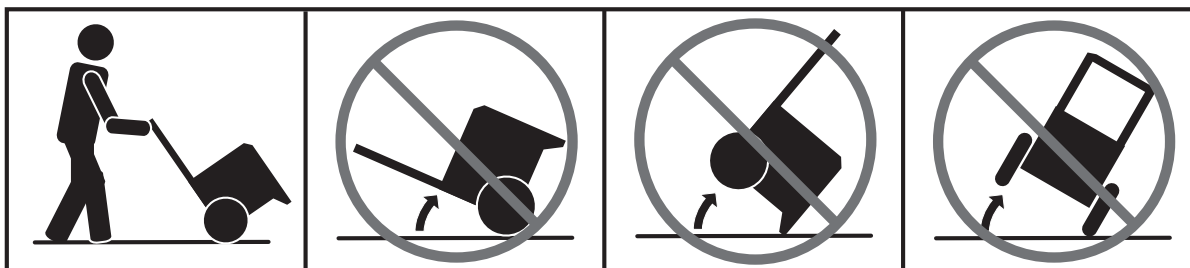
NOTA: Debe haber un mínimo de 3 metros (10 pies) de manguera sin ninguna restricción en el flujo de la misma, entre la entrada de la lavadora de presión y el grifo o válvula de cierre (como un conector de cierre en "Y").

- Teniendo el grifo de la manguera completamente cerrado, conecte el extremo de la manguera de jardín a la entrada de agua. Efectúe el apriete con la mano.

AVISO:

No haga funcionar la bomba de la lavadora a presión sin que el suministro de agua esté conectado y encendido, dado que esto puede dañar los sellos de alta presión y disminuir la vida útil de la bomba. Desenrolle completamente la manguera de su carrete o espiral y asegúrese de que la manguera no esté restringida por neumáticos, rocas ni cualquier otro objeto que pueda disminuir o impedir el flujo de agua a la lavadora a presión.

¡NO INCLINE DEMASIADO LA UNIDAD!



FUNCIONAMIENTO

ADVERTENCIA:

No permita que su familiarización con las herramientas lo vuelva descuidado. Tenga presente que un descuido de un instante es suficiente para causar una lesión grave.

ADVERTENCIA:

Siempre póngase protección ocular con protección lateral con la marca de cumplimiento de la norma ANSI Z87.1. Si no cumple esta advertencia, los objetos que salen despedidos pueden producirle lesiones serias en los ojos.

ADVERTENCIA:

No utilice ningún aditamento o accesorio no recomendado por el fabricante de esta herramienta. El empleo de aditamentos o accesorios no recomendados podría causar lesiones serias.

ADVERTENCIA:

Nunca dirija un chorro de agua en dirección de personas o animales, ni hacia dispositivos eléctricos. La inobservancia de esta advertencia podría causar lesiones serias.

USOS

Puede usar esta herramienta en la casa para limpiar la mayoría de las superficies exteriores horizontales o verticales grandes o pequeñas, las estructuras y objetos exteriores pequeños y las herramientas y equipos para uso al aire libre.* Puede:

- Limpiar o quitar moho y hongos de terrazas, caminos de entrada, patios, caminos, aceras y otras superficies desgastadas.
- Quitar la suciedad de diversas superficies exteriores verticales tales como exteriores de casas, revestimientos de muros exteriores, cercas, paredes de ladrillo, hormigón o piedra, etc.
- Limpiar botes, muebles de patio, equipos de jardinería eléctricos o no, canalones, paneles de ventanas, parrillas, juegos para niños, etc.

*Siempre pruebe primero en un área poco notoria.

ABASTECIMIENTO Y VERIFICACIÓN DE LUBRICANTE DEL MOTOR

Vea la figura 10.

NOTA: Esta máquina se embarcó con cerca de dos onzas de lubricante de las pruebas en el motor. **Es necesario abastecer de lubricante el motor antes de arrancarlo por primera vez.**

AVISO:

Cualquier intento de arrancar el motor sin abastecerlo de lubricante puede causar la descompostura del mismo.

Para añadir lubricante para motor:

- Coloque la lavadora de presión sobre una superficie horizontal nivelada. No la incline.
- Desenrosque la tapa del aceite con varilla de nivel; para ello, gírela a la izquierda.
- Usando un lubricante para motor de cuatro tiempos (SAE 30 o SAE 10W30), agregue aceite para motor hasta que el nivel de líquido alcance la parte superior del área cubierta en la varilla de nivel (se proporciona un lubricante para motor de 4 ciclos de 12 oz). **No lo llene en exceso.**
- Vuelva a colocar la tapa del aceite con varilla de nivel y apriétela firmemente.

Para verificar el nivel de lubricante para motor:

- Coloque la lavadora de presión sobre una superficie horizontal nivelada. No la incline.
- Desenrosque la tapa del aceite con varilla de nivel; para ello, gírela a la izquierda.
- Limpie la varilla de nivel y vuelva a asentarla en el agujero; no la enrosque.
- Retire de nuevo la varilla medidora de lubricante y verifique el nivel de lubricante. El nivel de aceite siempre debe estar dentro del área cubierta con rayas entrecruzadas de la varilla medidora.
- Si está bajo el nivel, abastezca de lubricante el motor hasta que el nivel del fluido alcance la parte superior del área cubierta con rayas entrecruzadas de la varilla.
- Vuelva a colocar la tapa de relleno de aceite/varilla medidora de aceite y asegúrela.

AVISO:

No lo llene excesivamente. Llenar excesivamente el cárter puede producir humo en exceso y daños en el motor.

COMBUSTIBLES OXIGENADOS

AVISO:

No utilice combustibles E15 o E85 (ni combustibles que contengan más de 10 % de etanol) con este producto. Esto constituye una violación a la ley federal, dañará la unidad y anulará la garantía.

No están cubiertos en la garantía los problemas de desempeño o daños al sistema de combustible producidos por el uso de un combustible oxigenado con un contenido superior a los porcentajes de alcohol o compuesto de éter señalados abajo.

Etanol. Las gasolinas con un contenido de 10% de etanol por volumen (comúnmente conocida como E10) es aceptables. **Las gasolinas E15 y E85 no lo son.**

FUNCIONAMIENTO

ABASTECIMIENTO DEL TANQUE DE GASOLINA

Vea la figura 11.

ADVERTENCIA:

La gasolina y los vapores de la misma son extremadamente inflamables y explosivos. Para evitar lesiones y daños físicos serios, maneje con cuidado la gasolina. Manténgala lejos de fuentes de ignición, manéjela solamente al aire libre, no fume mientras vierta la gasolina y limpie de inmediato cualquier derramamiento que ocurra.

Al abastecer de gasolina la lavadora de presión, asegúrese de que la unidad esté asentada en una superficie horizontal nivelada. Si está caliente el motor, permita que se enfríe la lavadora de presión antes de reabastecerla de gasolina. Siempre llene el tanque al aire libre y teniendo apagada la máquina.

NOTA: Este es un motor de cuatro tiempos. NO mezcle el aceite y el combustible.

- Mezcle el estabilizador de combustible con la gasolina de acuerdo con las instrucciones del fabricante del estabilizador de combustible.
- Antes de retirar la tapa del combustible, limpie el área circundante de la unidad. Retire la tapa del combustible.
- Introduzca un embudo limpio en el tanque de combustible y después vierta lentamente la gasolina en el tanque. Llene el tanque hasta una altura aproximada de 38 mm (1-1/2 pulg.) abajo de la parte superior del cuello del tanque (para permitir la expansión del combustible).
- Vuelva a colocar la tapa del combustible y apriétela firmemente la tapa "déclic".
- Limpie todo combustible derramado antes de encender la máquina.

ENCENDIDO Y APAGADO DE LA LAVADORA DE PRESIÓN

Vea las figuras 12 y 13.

AVISO:

No haga funcionar la bomba de la lavadora a presión sin que el suministro de agua esté conectado y encendido, dado que esto puede dañar los sellos de alta presión y disminuir la vida útil de la bomba. Desenrolle completamente la manguera de su carrete o espiral y asegúrese de que la manguera no esté restringida por neumáticos, rocas ni cualquier otro objeto que pueda disminuir o impedir el flujo de agua a la lavadora a presión.

Antes de arrancar el motor:

- Conecte todas las mangueras.
- Revise todos los fluidos (lubricante y gasolina).
- Abra el grifo del agua y luego oprima gatillo para purgar la presión de aire; mantenga oprimido el gatillo hasta que aparezca un chorro de agua estable.

NOTA: Asegúrese de que el grifo esté abierto completamente y de que no haya acodaduras o pérdidas en la manguera.

Para arrancar el motor:

- Ponga la válvula de combustible en la posición ON (ENCENDIDO).
- Tire del anegador en la posición de START (ARRANQUE).
NOTA: Si se vuelve a arrancar el motor después de haberlo apagado por un corto período (esto es, luego del reabastecimiento de combustible o del traslado), deje la palanca del anegador en la posición RUN (FUNCIONAMIENTO).
- Ponga el interruptor de encendido y apagado en la posición ON (marcha).
- Sujete el mango del arrancador con cuerda y tire lentamente hasta que encuentre resistencia. Arranque el motor con un tirón corto y rápido del mango del arrancador con cuerda.
NOTA: No permita que el mango del arrancador con cuerda vuelva a calzar en su lugar una vez encendido. Colóquelo nuevamente en su lugar original con cuidado.
- Deje que el motor funcione varios segundos, después presione el anegador en la posición de RUN (FUNCIONAMIENTO).

Para apagar el motor:

- Ponga el interruptor de encendido y apagado en la posición OFF (APAGADO).
- Ponga la válvula de combustible en la posición OFF (APAGADO).
- Cierre el suministro de agua. Oprima el gatillo para purgar el agua.

ADVERTENCIA:

Tanto en funcionamiento como al guardarlo, mantenga siempre 91,4 cm (3 pies) de espacio libre en todos los laterales de este producto, incluida la parte superior. Aguarde al menos 30 minutos para el equipo se enfríe antes de guardarlo. El calor generado por el silenciador y los gases de escape puede ser suficiente para causar quemaduras graves y/o prender fuego a objetos combustibles.

USO DEL MANGO DEL GATILLO

Vea la figura 14.

Para mayor control y seguridad, mantenga ambas manos en el mango de gatillo todo el tiempo.

- Para iniciar el chorro de agua, oprima y no suelte el gatillo.
- Para interrumpir el flujo del chorro de agua por la boquilla, suelte el gatillo.

Para accionar el seguro:

- Suba el seguro hasta dejarlo trabado en la ranura.

Para quitar el seguro:

- Baje el seguro a su posición original.

Para utilizar el tubo rociador, comience con la boquilla a una distancia de entre 30 y 60 cm (1 y 2 pies) de la superficie a limpiar. Acérquese a la superficie justo lo suficiente para alcanzar el nivel de limpieza deseado. Si está demasiado cerca el chorro, puede dañar la superficie que está limpiándose.

FUNCIONAMIENTO

INSTALAR Y DESMONTAJE LA BOQUILLA

Vea la figura 15.

ADVERTENCIA:

NUNCA cambie boquillas sin trabar el seguro de apagado en el mango de gatillo y NUNCA apunte el rociador hacia su cara o la de otros. La característica de conexión rápida contiene resortes pequeños que pueden expulsar la boquilla con cierta fuerza. La inobservancia de esta advertencia podría causar lesiones personales.

Para conectar una boquilla al mango de gatillo:

- Apague la lavadora de presión y cierre el suministro de agua. **Oprima el gatillo para purgar el agua.**
- Accione el seguro del mango de gatillo; para ello, suba aquél hasta que se trabaje en la ranura.
- Empuje la boquilla hacia el interior del casquillo de conexión rápida hasta que se trabaje en su lugar y quede debidamente asegurado.

Para desconectar la boquilla del mango de gatillo una vez comenzado el trabajo de limpieza:

- Apague la lavadora de presión y cierre el suministro de agua. **Oprima el gatillo para purgar el agua.**

- Accione el seguro del mango de gatillo; para ello, suba aquél hasta que se trabaje en la ranura.
- Retire la boquilla del casquillo de conexión rápida colocando la mano sobre la boquilla y tire del casquillo de conexión rápida hacia atrás.

USO DE LA BOQUILLA INTERCAMBIABLE 5 EN 1

Vea la figura 16.

Hay cinco ajustes de patrón de rociado ubicados en la boquilla intercambiable 5 en 1. Para seleccionar un patrón de rociado, gire el selector de rociado al ajuste deseado. Vea la **Guía de selección de boquillas** para obtener más información sobre qué boquilla utilizar.





USO DE LA MANGUERA DE ALTA PRESIÓN

La manguera de alta presión tiene un revestimiento externo que la fortalece. Si el revestimiento externo se daña, se debe reemplazar la manguera inmediatamente. **No use la manguera de alta presión si el revestimiento externo está dañado.**

Para evitar que el revestimiento externo se dañe:

- Inspeccione la manguera antes de cada uso.
- Desenrosque y estire la manguera antes de usarla.
- Evite que la manguera de alta presión se retuerza.

GUÍA DE SELECCIÓN DE BOQUILLAS

0°		25°		40°		JABÓN		
ALTA PRESIÓN (NO USE ESTAS BOQUILLAS CON JABÓN)		BAJA PRESIÓN (PARA JABÓN O ENJUAGUES LEVES)						
ABRASIVO		LEVE		0°	25°	40°	Largo plazo	Corto plazo
Cemento, ladrillo, mampostería		✓	✓	✓	✓	✓	✓	✓
Revestimiento de muros exteriores, canalones, casas			✓	✓	✓	✓	✓	✓
Cercas, terrazas, patios			✓	✓	✓	✓	✓	✓
Equipos de jardinería, botes, casas rodantes			✓	✓	✓	✓	✓	✓
		✓ Boquilla recomendada		✓ Usar con cuidado en ciertas aplicaciones				

FUNCIONAMIENTO

- Mantenga la manguera alejada de superficies calientes y bordes filosos.
- No arrastre la unidad cerca de la manguera de alta presión.
- Evite que otros objetos aplasten la manguera o que ésta se enrede con otros objetos.

LAVADO CON DETERGENTE

Vea las figuras 17 a 19.

Tal como se vende, esta unidad está diseñada para usarse con detergentes para lavadoras a presión de “flujo descendente”. Para convertir la lavadora de modo que se pueda utilizar con detergentes de “flujo ascendente”, comuníquese con un centro de servicio al cliente autorizado para obtener más información.

Use sólo detergentes diseñados para lavadoras de presión; los detergentes caseros, soluciones ácidas, alcalinas, blanqueadores, solventes, materiales inflamables o de grado industrial pueden dañar la bomba. Numerosos detergentes requieren mezclarse antes de usarse. Prepare la solución de limpieza de conformidad con las instrucciones de la botella correspondiente. Siempre pruebe en un área poco notoria antes de comenzar la limpieza.

- Quite la tapa del tanque de detergente y vierta el detergente para lavadoras de presión en el tanque. Vuelva la tapa del tanque.

NOTA: La configuración de la máquina de esta unidad es 20:1, lo que generalmente permite el uso de 3,79 l (1 galón) de detergente para lavadoras de presión sin más dilución. Consulte las instrucciones de su detergente para asegurarse de que no sea necesario realizar una dilución adicional.

- Instale la boquilla intercambiable 5 en 1 (si es necesario). Gire el selector de rociado en la boquilla al ajuste azul de detergente de corto alcance (♥) o al ajuste azul de detergente de largo alcance (♦♦).
- Oprima el gatillo y espere aproximadamente 5 segundos a que comience a salir detergente.
- Rocíe el detergente en una superficie seca, con pasadas largas uniformes traslapadas. Para evitar la formación de franjas, no permita que seque el detergente en la superficie.

Para aplicación de detergente a largo plazo:

Con la boquilla instalada en el tubo rociador y el motor apagado, gire el selector de rociado al ajuste de detergente de largo alcance [♦♦].

Para aplicación de detergente a corto plazo:

Con la boquilla instalada en el tubo rociador y el motor apagado, gire el selector de rociado al ajuste de detergente de corto alcance [♥] setting.

Antes de apagar el motor:

- Llene el tanque de detergente con agua limpia.
- Rocíe el agua limpia a través del tubo rociador hasta vaciar el tanque.
- Si queda jabón en el rociador, repita el proceso con un segundo tanque de agua limpia.
- Apague el motor.

NOTE: APAGANDO el motor. **NO** se purga del sistema la presión interna. Oprima el gatillo para purgar el agua a presión.

ENJUAGADO CON LA LAVADORA DE PRESIÓN

- Apague la lavadora de presión y cierre el suministro de agua. Oprima el gatillo para purgar el agua.
- Accione el seguro el mango de gatillo; para ello, suba aquél hasta que se traben en la ranura.
- Seleccione el ajuste de boquilla adecuado para el trabajo. Vea el cuadro de la página anterior para seleccionar el ajuste de boquilla adecuado.
- Cuando utilice estos ajustes, pruebe en un área pequeña primero para evitar dañar la superficie.
- Comience por la parte superior por enjuagar y avance hacia abajo, traslapando cada pasada.

TRASLADO DE LA LAVADORA DE PRESIÓN

Vea la figura 20.

NOTA: Nunca alce o mueva este producto tomándolo por el mango móvil y nunca coloque la unidad en una posición distinta de la vertical, sobre sus ruedas.

- Apague la lavadora de presión y ponga la válvula de combustible en la posición apagado.
- Tire del mango hacia arriba hasta que la perilla de afloje del mango quede en la posición asegurada (si ya no está hacia arriba y asegurada). Asegúrese de que la traba esté asegurada en el agujero del bastidor antes de mover.
- Incline la máquina hacia usted hasta equilibrarla sobre las ruedas y después empújela a la posición deseada. No incline la máquina hacia delante o hacia los lados mientras la mueve.
- **NO** trate de mover la unidad tirando de ninguna de las mangueras.

OPERACIÓN A ALTITUDES ELEVADAS

Se requieren modificaciones específicas para una operación a altitudes elevadas. Comuníquese con su centro de servicio autorizado para obtener información importante sobre dichas modificaciones. La operación de este motor sin la modificación por altitud apropiada podría aumentar las emisiones del motor y disminuir el ahorro y desempeño del combustible.

MANTENIMIENTO

ADVERTENCIA:

Al dar servicio a la unidad, sólo utilice piezas de repuesto idénticas. El empleo de piezas diferentes podría causar un peligro o dañar el producto.

ADVERTENCIA:

Siempre póngase protección ocular con protección lateral con la marca de cumplimiento de la norma ANSI Z87.1. Si no cumple esta advertencia, los objetos que salen despedidos pueden producirle lesiones serias en los ojos.

ADVERTENCIA:

Antes de inspeccionar, limpiar o dar servicio a la máquina, apague el motor, espere a que se detengan todas las piezas en movimiento, desconecte el cable de la bujía y aléjelo de ésta. El incumplimiento de cualquiera de estas instrucciones podría causar lesiones serias.

MANTENIMIENTO GENERAL

Evite el empleo de solventes al limpiar piezas de plástico. La mayoría de los plásticos son susceptibles a diferentes tipos de solventes comerciales y pueden resultar dañados. Utilice paños limpios para eliminar la suciedad, el polvo, el aceite, la grasa, etc.

ADVERTENCIA:

No permita en ningún momento que fluidos para frenos, gasolina, productos a base de petróleo, aceites penetrantes, etc., lleguen a tocar las piezas de plástico. Las sustancias químicas pueden dañar, debilitar o destruir el plástico, lo cual a su vez puede producir lesiones corporales serias.

Solamente las piezas mostradas en la lista de piezas pueden ser reparadas o cambiadas por el consumidor. Todas las piezas restantes deben ser reemplazadas en un centro de servicio autorizado.

Antes de encender el motor realice los siguientes pasos previos:

- Verifique que todos los pernos, tuercas, etc., estén firmemente apretados.
- Asegúrese de que esté limpio el filtro.
- Revise tanto el nivel de aceite del motor como el nivel del tanque de combustible; reabastézcalos según sea necesario.
- Inspeccione el área de trabajo para ver si hay peligros presentes.
- Si hay ruido o vibración excesivos, apague de inmediato la unidad.

MANTENIMIENTO DE LAS BOQUILLAS

Vea la figura 21.

La presión excesiva de la bomba (se siente una sensación de pulsación al estar oprimiendo el gatillo) puede deberse a que la boquilla está tapada o sucia.

- Apague la lavadora de presión y cierre el suministro de agua. Oprima el gatillo para purgar el agua.

- Retire la boquilla del tubo rociador.

NOTA: Nunca se apunte el tubo rociador a la cara.

- Con un clip para papel abierto o una herramienta para limpiar boquillas (no viene incluida), libere la boquilla de las obstrucciones producidas por material extraño.
- Con una manguera de jardín expulse de la boquilla toda la basura presente con un contraflujo (haciendo pasar hacia atrás agua por la boquilla, o sea del exterior hacia el interior.
- Vuelva a conectar la boquilla al tubo rociador.
- Abra el suministro de agua y arranque el motor.

LIMPIEZA DEL FILTRO DE AIRE

Vea la figura 22.

Un filtro sucio puede causar dificultades de arranque, pérdida de rendimiento y acortar la vida útil del motor. Inspeccione mensualmente el filtro de aire. Para lograr un desempeño óptimo de la unidad, reemplace el filtro de aire por lo menos una vez al año.

- Empuje la orejeta la tapa del filtro de aire para abrir y retire la tapa del filtro de aire.
- Levante cuidadosamente el borde del filtro de aire y retírelo.
- Cepille levemente el filtro de aire para limpiarlo.
- Vuelva a instalar el filtro de aire.

NOTA: Asegúrese de que el filtro esté asentado correctamente en el interior de la tapa. Si se instala de forma incorrecta el filtro el polvo entra en el motor y causa un rápido desgaste del mismo.

- Vuelva a instalar la tapa del filtro de aire.

REVISIÓN DE LA BUJÍA

Vea la figura 23.

- Limpie el área alrededor de la base de la bujía antes de retirarla para evitar que la suciedad y los desechos ingresen en el motor. Retire la bujía.
- Limpie los depósitos de carbón de los electrodos de la bujía con un limpiador para bujías o un cepillo de alambre. Reemplace la bujía si está gastada.
- Verifique el espacio interelectródico. El espacio interelectródico debe ser de 0,7 mm a 0,8 mm (0,028 in a 0,032 in). Ajuste el espacio, si es necesario, doblando con cuidado el electrodo de conexión a tierra.
- Réinstalar la bujía. Ajuste firmemente.

MANTENIMIENTO

CAMBIO DE LUBRICANTE DE MOTOR

Vea la figura 24.

- Apague el motor.
- Limpie el área alrededor de la tapa del aceite/varilla de nivel de lubricante y, luego, retire la tapa del aceite/varilla de nivel de aceite.
- Incline la lavadora a presión sobre el costado, como se muestra. Drene el aceite en un recipiente aprobado.

NOTA: Drene el aceite mientras esté tibio el motor, no caliente. El aceite tibio se drena con mayor facilidad y compleción.

- Después de que el cárter se drene por completo, vuelva a colocar la lavadora a presión en la posición vertical.
- Reemplace de lubricante viejo con lubricante nuevo limpio. (SAE 30 or SAE 10W30). Se necesitan aproximadamente de 295 ml a 475 ml (10 a 16 onzas). Agregue lubricante para motor hasta que el nivel del líquido se encuentre dentro del área sombreada de la varilla de medición.

NOTA: Consulte las normas de desecho de residuos peligrosos de la localidad donde se encuentre para averiguar la forma correcta de desechar el combustible usado.

LUBRICACIÓN DE LA BOMBA

La bomba de esta herramienta están lubricados con suficiente cantidad de aceite de alta calidad para toda la vida útil de la unidad en condiciones normales de funcionamiento. Por lo tanto, no se necesita lubricación adicional de los cojinetes.

GUARDADO DE LA LAVADORA DE PRESIÓN

Vea la figura 25.

NOTA: El uso regular de estabilizador de combustible y de protector para bombas dará un mejor desempeño a la unidad y alargará la vida útil de la bomba. Voir la liste des pièces de rechange pour obtenir les formats disponibles et les numéros de pièces des articles et commander des pièces en appelant le Service à la clientèle.

Permita un período de enfriamiento de 30 minutos antes de guardar la máquina. Guarde la unidad en un lugar seco y cubierto, en el cual no pueda resultar dañada a la intemperie.

Es importante guardar este producto en un área protegida contra la congelación. Siempre vacíe todas las mangueras, la bomba, el tanque de combustible y el balde de detergente antes de guardar la unidad.

- Mantenga encendida la máquina hasta agotar el combustible. La gasolina puede echarse a perder en 30 días.

NOTA: Asegúrese de que el suministro de agua esté conectado y encendido cuando ponga en marcha el motor de la lavadora a presión.

- Asegúrese de que el interruptor de encendido/apagado y la válvula de combustible se en la posición OFF (APAGADO).

- Desconecte la conexión de agua.
- Vacíe la bomba; para ello, tire del arrancador retráctil seis veces aproximadamente. De esta manera se elimina de la bomba la mayoría del líquido.

AVISO:

Se recomienda ampliamente usar un protector luego de cada uso y antes de almacenarla para bombas para evitar daños por bajas temperaturas y en el sello durante el almacenamiento.

- Drene el lubricante y cámbielo por lubricante nuevo y limpio como se explica en **Cambio de lubricante de motor** más arriba en este manual.
- Desconecte el cable de la bujía y retire ésta. Vierta cerca de una cucharada chica de lubricante limpio para motor de cuatro tiempos a través del agujero de la bujía, en el interior de la cámara de combustión.
- Teniendo la bujía afuera, tire de la cuerda del arrancador dos o tres veces para recubrir el interior de la pared del cilindro.
- Inspeccione la bujía y límpiela o reemplácela según sea necesario.
- Vuelva a instalar la bujía, pero deje desconectado el cable de la misma.
- Limpie el filtro de aire.
- Extienda la cuerda del arrancador retráctil para controlar su condición. Si la cuerda está deshilachada, hágala cambiar de inmediato en un centro de servicio autorizado.
- Retire las mangueras. Enrolle las mangueras y guarde como se muestra. No permita que la manguera se retuerza.
- Tire de la perilla de afloje del mango hacia afuera y baje el mango a la posición abajo.
- Guarde la unidad y los accesorios en un área que esté protegida contra las temperaturas bajo cero. No la guarde cerca de hornos u otras fuentes de calor que pueda secar los sellos de la bomba.

PREPARACIÓN DE LA UNIDAD PARA USARLA DESPUÉS DE TENERLA GUARDADA

- Tire del arrancador retráctil tres o cuatro veces para limpiar el aceite de la cámara de combustión.
- Retire la bujía del cilindro. Limpie el aceite de la bujía y vuelva a ponerla en el cilindro.
- Vuelva a conectar el cable de la bujía.
- Reabastezca de combustible la máquina de la forma descrita anteriormente en el manual del operador.

MANTENIMIENTO

PROGRAMA DE MANTENIMIENTO

NOTA: Si recibe un manual del motor para este lavadora a presión en particular, respete el cronograma de mantenimiento que se indique en el manual del motor y no la información de mantenimiento que figura a continuación.

Artículos de mantenimiento	Cada uso	Semanas	25 horas	50 horas	200 horas
Revise si hay fugas de agua bajo colector, en el cárter	•				
Plomería		•			
Limpiar motor y revisar tuercas y pernos	•				
Revisar y vuelva a llenar el aceite del motor	•				
Cambiar el aceite del motor (cambio inicial) ¹	•				
Controle la colocación del filtro de entrada de agua ²	•				
Agregue estabilizador de combustible	•				
Agregue protector para bombas	•				
Cambiar el aceite del motor				•	
Revise la bujía				•	
Limpiar el filtro de aire			•		
Reemplazar el filtro de aire					•
Limpiar y ajustar la bujía y electrodos				•	
Reemplazar la bujía					•

¹ Se debe realizar el cambio inicial de lubricante después de las primeras 20 horas de funcionamiento. A partir de ese momento, cambie el lubricante cada 100 horas.

² Si el filtro de entrada de agua falta o está dañado, debe colocarse uno nuevo. Vea la Lista de piezas de repuesto para conocer el número de pieza para realizar un pedido.

NOTA: No está seguro sobre cómo realizar alguna de las tareas de mantenimiento enumeradas anteriormente, lleve la unidad a un centro de servicio autorizado para que se realice la tarea de mantenimiento en cuestión.

SOLUCIÓN DE PROBLEMAS

PROBLEMA	CAUSA	SOLUCIÓN
El motor no arranca	<p>No hay combustible en el tanque</p> <p>Falló o tiene corta la bujía</p> <p>Se rompió la bujía (se rajó la porcelana o se rompieron los electrodos)</p> <p>El cable de ignición tiene corto, está roto o desconectado de la bujía caso</p> <p>El sistema de ignición no funciona</p>	<p>Reabastezca el tanque</p> <p>Reemplace la bujía</p> <p>Reemplace la bujía</p> <p>Reemplace el cable de ignición o conéctelo a la bujía</p> <p>Comuníquese con un centro de servicio autorizado</p>
Cuesta trabajo arrancar el motor	<p>Hay agua en la gasolina</p> <p>Está débil la chispa de la bujía</p>	<p>Drene todo el sistema y reabastézcalo con combustible nuevo</p> <p>Comuníquese con un centro de servicio autorizado</p>
Le falta potencia al motor	<p>Está sucio el filtro de aire</p> <p>La presencia de aire en el conducto causa que la característica de disminución de la velocidad de ralentí funcione de manera incorrecta.</p>	<p>Limpie o reemplace el filtro de aire</p> <p>Con el motor apagado, oprima el gatillo hasta que salga agua para eliminar la presencia de aire en el conducto.</p>
El detergente no está mezclándose en el rocío	<p>El selector de rociado en la boquilla intercambiable 5 en 1 está ajustado para 40°, 25° o 0°</p> <p>El tanque de detergente está vacío</p>	<p>Gire el selector de rociado en la boquilla intercambiable 5 en 1 al ajuste de detergente de corto alcance [♥] o de detergente de largo alcance [♣]</p> <p>Agregue detergente al tanque de detergente</p>
La bomba no genera presión	<p>El selector de rociado en la boquilla intercambiable 5 en 1 está ajustado para detergente de corto alcance [♥] o de detergente de largo alcance [♣]</p> <p>El suministro de agua es inadecuado</p> <p>Présence de fuites dans la ango del gatillo o tubo de rociador</p> <p>Está tapada la boquilla</p> <p>Aire en el conductor</p> <p>La manguera tiene pérdidas</p> <p>La manguera está acodada</p> <p>Anegador en posición de ARRANQUE</p> <p>Está defectuosa la bomba</p>	<p>Gire el selector de rociado en la boquilla intercambiable 5 en 1 al ajuste de 40°, 25°, o 0° setting</p> <p>Suministre un flujo de agua adecuado</p> <p>Verifique las conexiones y/o tiene fugas reemplace el mango del gatillo tubo de rociador</p> <p>Limpie la boquilla</p> <p>Oprima el gatillo el mango del gatillo para eliminar el aire del conductor</p> <p>Cambie la manguera</p> <p>La manguera está acodada</p> <p>Mueva el anegador a la posición de MARCHA</p> <p>Comuníquese con un centro de servicio autorizado</p>
La máquina no alcanza presión alta	<p>Está demasiado pequeño el diámetro de la manguera de jardín</p> <p>Está restringido el suministro de agua</p> <p>No hay suficiente agua en la entrada</p> <p>El selector de rociado en la boquilla intercambiable 5 en 1 está ajustado para detergente de corto alcance [♥] o de detergente de largo alcance [♣].</p>	<p>Reemplácela con una manguera de 19 mm (3/4 pulg)</p> <p>Revise la manguera de jardín para ver si tiene dobleces, fugas o bloqueos</p> <p>Abra el suministro de agua a toda su capacidad</p> <p>Gire el selector de rociado en la boquilla intercambiable 5 en 1 al ajuste de 40°, 25°, o 0° setting</p>

GARANTÍA

DECLARACIÓN DE GARANTÍA LIMITADA NO APLICABLE AL MOTOR

Techtronic Industries North America, Inc., garantiza al comprador original al menudeo que este producto de arandela de presión de marca de RYOBI® carece de defectos en los materiales y mano de obra y acuerda reparar o reemplazar, a la sola discreción de Techtronic Industries North America, Inc., cualquier producto defectuoso sin cargo alguno dentro del plazo establecido después de la fecha de compra.

- Tres años si el producto se emplea para uso personal, familiar o casero;
- 90 días, si alguno de los productos mencionados arriba se emplean para cualquier otro uso, como el uso comercial o alquiler.

Esta garantía se otorga solamente al comprador original al menudeo, y comienza en la fecha de la compra original al menudeo.

Cualquier pieza de este producto fabricada o suministrada por Techtronic Industries North America, Inc., y que se encuentre, a juicio razonable de Techtronic Industries North America, Inc., defectuosa en materiales o mano de obra será reparada o reemplazada sin cobro de piezas ni mano de obra por parte de un centro de servicio autorizado RYOBI®.

El producto, incluida toda pieza defectuosa, debe enviarse a un centro de servicio autorizado RYOBI® dentro del período de la garantía. El costo de enviar el producto al establecimiento para cualquier trabajo cubierto por la garantía así como el gasto de devolverlo al propietario después de la reparación correrán por cuenta del propietario. La responsabilidad de Techtronic Industries North America, Inc., con respecto a todo reclamo se limita a las reparaciones o remplazo del producto, y ningún reclamo de incumplimiento de la garantía será causante de la cancelación o rescisión del contrato de venta de ningún producto de marca RYOBI®. En el centro de servicio autorizado se requerirá el recibo de compra para respaldar cualquier reclamo al amparo de la garantía. Todo trabajo de garantía debe ser efectuado por un centro de servicio autorizado RYOBI®.

Esta garantía no cubre ningún producto e marca que haya estado sometido a uso indebido, maltrato, negligencia o accidente, o que haya sido utilizado de cualquier forma contraria a las instrucciones de manejo especificadas en el manual del operador del producto de marca. Esta garantía no cubre ningún daño sufrido por el producto de marca causado por un mantenimiento inadecuado, ni ningún producto los productos de marca que haya sido alterado o modificado de manera que haya resultado afectado desfavorablemente el funcionamiento, el desempeño o la durabilidad del producto, o haya cambiado el uso para el que fue diseñado. La garantía no cubre ninguna reparación necesaria por el desgaste normal ni por el uso de piezas o accesorios que sean incompatibles con el producto de arandela de presión de marca de RYOBI®, o afecten de forma desfavorable su funcionamiento, desempeño o durabilidad.

Además, esta garantía no cubre:

A. Afinación – Filtros de aire, filtros de combustible, carburadores, bujías

B. Componentes sujetos a desgaste – Manguera, accesorios conectores, boquillas de rociado, mango del gatillo, mango de rociado, ruedas, cubeta de detergente, tanque de productos químicos

Techtronic Industries North America, Inc., se reserva el derecho de cambiar o mejorar el diseño de cualquier producto de arandela de presión de marca de RYOBI® sin asumir ninguna obligación de modificar ningún producto fabricado previamente.

TODAS LAS GARANTÍAS IMPLÍCITAS ESTÁN LIMITADAS EN DURACIÓN SEGÚN EL PERÍODO DE GARANTÍA DECLARADA. COMO CORRESPONDE, TODA GARANTÍA IMPLÍCITA, INCLUIDAS LAS DE COMERCIABILIDAD, IDONEIDAD PARA UN PROPÓSITO EN PARTICULAR, O DE CUALQUIER OTRO TIPO, SE DESCONOCE POR COMPLETO DESPUÉS DEL PERÍODO DE GARANTÍA CORRESPONDIENTE DE TRES AÑOS O 90 DÍAS. DE CONFORMIDAD CON ESTA GARANTÍA, LA OBLIGACIÓN DE TECHTRONIC INDUSTRIES NORTH AMERICA, INC., SE LIMITA ESTRICTA Y EXCLUSIVAMENTE A LA REPARACIÓN O REEMPLAZO DE LAS PIEZAS DEFECTUOSAS, Y TECHTRONIC INDUSTRIES NORTH AMERICA, INC., NO ASUME NINGUNA OTRA OBLIGACIÓN, NI AUTORIZA A NADIE ASUMIRLA A NOMBRE DE DICHA COMPAÑÍA. ALGUNOS ESTADOS NO PERMITEN LIMITACIONES EN CUANTO A LA DURACIÓN DE UNA GARANTÍA IMPLÍCITA, POR LO CUAL ES POSIBLE QUE LA LIMITACIÓN ANTERIOR NO SE APLIQUE EN SU CASO. TECHTRONIC INDUSTRIES NORTH AMERICA, INC., NO ASUME NINGUNA RESPONSABILIDAD POR DAÑOS INCIDENTES, CONSECUENTES, NI DE NINGÚN OTRO TIPO, COMO EL GASTO DE DEVOLVER EL PRODUCTO A UN CENTRO DE SERVICIO AUTORIZADO DE RYOBI® Y LOS GASTOS PARA DEVOLVER DICHO PRODUCTO A SU PROPIETARIO RESPECTIVO, EL TIEMPO DE VIAJE DEL MECÁNICO, LLAMADAS TELEFÓNICAS O TELEGRAMAS, EL ALQUILER DE EQUIPOS SIMILARES DURANTE EL TIEMPO DE REALIZACIÓN DEL SERVICIO EN VIRTUD DE LA GARANTÍA, VIAJES, PÉRDIDAS O DAÑOS A ARTÍCULOS DE PROPIEDAD PERSONAL, PÉRDIDA DE INGRESOS, PÉRDIDA DE USO DEL PRODUCTO, PÉRDIDA DE TIEMPO, O INCONVENIENCIA; ALGUNOS ESTADOS NO PERMITEN LA EXCLUSIÓN NI LA LIMITACIÓN DE LOS DAÑOS DIRECTOS O INDIRECTOS, POR LO CUAL LA LIMITACIÓN O EXCLUSIÓN ANTERIOR QUIZÁS NO SE APLIQUE EN SU CASO.

Esta garantía le confiere derechos legales específicos, y es posible que usted goce de otros derechos, los cuales pueden variar de estado a estado.

Esta garantía se aplica a todos los productos de arandela de presión de marca de RYOBI® distribuido por Techtronic Industries North America, Inc., y vendidos en Estados Unidos, México, y Canadá.

Para localizar el establecimiento de servicio autorizado RYOBI® más cercano, llame al 1-800-860-4050, o visite nuestro sitio Web en www.ryobitools.com.



**OPERATOR'S MANUAL
MANUEL D'UTILISATION
MANUAL DEL OPERADOR**

3100 PSI PRESSURE WASHER

**NETTOYEUR HAUTE PRESSION DE 3 100 PSI
LAVADORA A PRESIÓN DE 3 100 PSI**

RY80940 Series/série/serie

California Proposition 65

⚠ WARNING:

This product, its exhaust, and other substances that may become airborne from its use contain chemicals, including lead, known to the State of California to cause cancer, birth defects, or other reproductive harm. *Wash hands after handling.*

Proposition 65 de la Californie

⚠ AVERTISSEMENT :

Ce produit, les gaz d'échappement qu'il dégage et les autres substances rejetées dans l'air suite à son utilisation peuvent contenir des produits chimiques, notamment du plomb qui, selon l'État de la Californie, peuvent causer le cancer, des anomalies congénitales et d'autres dommages au système reproducteur. *Bien se laver les mains après toute manipulation.*

**California - Propuesta de ley
núm. 65**

⚠ ADVERTENCIA:

Este producto, su escape y otras sustancias que puedan llegar a ser aerotransportadas por su uso pueden contener sustancias químicas (incluido el plomo) reconocidas por el estado de California como causantes de cáncer, defectos congénitos y otras afecciones del aparato reproductor. *Lávese las manos después de utilizar el aparato.*

Ryobi® is a registered trademark of Ryobi Limited used under license.

Ryobi® est une marque déposée de Ryobi Limited utilisée sous licence.

Ryobi® es una marca comercial registrada de Ryobi Limited y es empleada mediante autorización.

• PARTS AND SERVICE

Prior to requesting service or purchasing replacement parts, please obtain your model and serial number from the product data plate.

• MODEL NO. _____ SERIAL NO. _____

• HOW TO OBTAIN REPLACEMENT PARTS:

Replacement parts can be purchased online at www.ryobitools.com or by calling 1-800-860-4050. Replacement parts can also be obtained at one of our Authorized Service Centers.

• HOW TO LOCATE AN AUTHORIZED SERVICE CENTER:

Authorized Service Centers can be located online at www.ryobitools.com or by calling 1-800-860-4050.

• HOW TO OBTAIN CUSTOMER OR TECHNICAL SUPPORT:

To obtain Customer or Technical Support please contact us at 1-800-860-4050.

• • • • •

• PIÈCES ET SERVICE

Avant de faire la demande de service ou l'achat de pièces de remplacement, veuillez obtenir le numéro de série du modèle à partir de la plaque de données du produit.

• NUMÉRO DE MODÈLE _____ NUMÉRO DE SÉRIE _____

• COMMENT OBTENIR LES PIÈCES DE REMPLACEMENT :

Les pièces de remplacement peuvent être achetées en ligne sur le site www.ryobitools.com ou par téléphone au 1-800-860-4050. Les pièces de remplacement peuvent être obtenues à un de nos centres de service autorisés.

• COMMENT TROUVER UN CENTRE DE SERVICE AUTORISÉ :

Les centres de service autorisés peuvent être localisés en ligne au www.ryobitools.com ou en téléphonant au 1-800-860-4050.

• COMMENT OBTENIR DE L'AIDE EN CONTACTANT LE SERVICE À LA CLIENTÈLE :

Pour contacter le service à la clientèle pour une question technique ou pour tout autre renseignement, veuillez nous téléphoner au 1-800-860-4050.

• • • • •

• PIEZAS DE REPUESTO Y SERVICIO

Antes de solicitar servicio técnico o comprar piezas de repuesto, obtenga su modelo y número de serie de la placa de datos del producto.

• NÚMERO DE MODELO _____ NÚMERO DE SERIE _____

• CÓMO OBTENER PIEZAS DE REPUESTO:

Las piezas de repuesto se pueden comprar en nuestro sitio en la red mundial, en la dirección www.ryobitools.com o llamando al 1-800-860-4050. Las piezas de repuesto también se pueden obtener en uno de nuestros Centros de Servicio Autorizados.

• CÓMO LOCALIZAR UN CENTRO DE SERVICIO AUTORIZADO:

Puede encontrar los Centros de Servicio Autorizados visitando nuestro sitio en la red mundial, en la dirección www.ryobitools.com or by calling 1-800-860-4050.

• CÓMO OBTENER SERVICIO O ASISTENCIA TÉCNICA AL CONSUMIDOR:

Para obtener Servicio o Asistencia Técnica al Consumidor, sírvase comunicarse con nosotros llamando al 1-800-860-4050.

TECHTRONIC INDUSTRIES NORTH AMERICA, INC.

1428 Pearman Dairy Road, Anderson, SC 29625 • Phone 1-800-860-4050
États-Unis, Téléphone 1-800-860-4050 • USA, Teléfono 1-800-860-4050

www.ryobitools.com • A subsidiary of Techtronic Industries Co., Ltd. • OTC:TTNDY