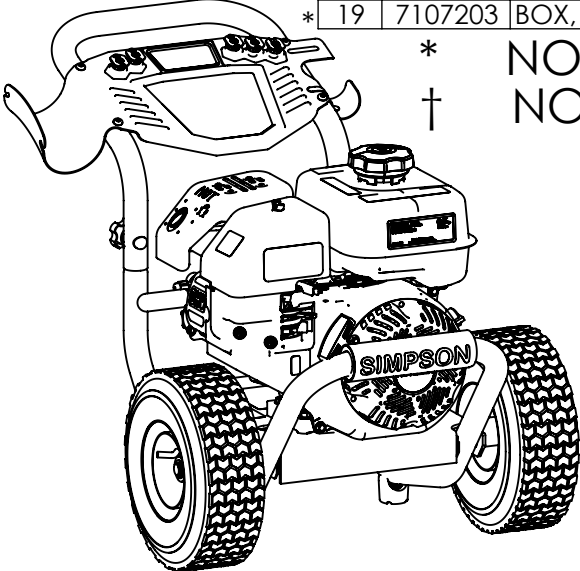


ITEM	PART NO.	DESCRIPTION	QTY
1	7107250	BASE FRAME, SVC ASSY W/ LABELS ALUMINUM	1
† 1.1		BASE TUBE, FORMED ALUMINUM FRAME 11.75" C-C	1
† 1.2		PLATE, HORIZONTAL BASE FRAME, AL 11.75" C-C	1
† 1.3		SUB-FRAME, ALUMINUM HORIZONTAL 11.75" C-C	1
† 1.4		BRACKET, AXLE HORIZONTAL	2
† 1.5		AXLE, Ø .625 X 20.10	1
† 1.6		BOLT, 5/16"-18 x 2 1/4"	4
† 1.7		NUT, 5/16"-18 NYLOCK	5
† 1.8		WASHER, SADDLE 5/16 X 1.0 X 0.060	2
† 1.9		BOLT, 5/16"-18 x 3/4"	1
2	7107251	HANDLE, REAR SERVICE ASSEMBLY WITH LABELS	1
† 2.1		HANDLE TUBE, ALUMINUM 11.75" C-C	1
† 2.2		PLATE, TRANSFORMER DASHBOARD 11.75" C-C	1
† 2.3		SCREW, TORX PANHEAD 1/4"-20 x 3/4"	4
† 2.4		HOLDER, NOZZLE 2PC RUBBER STRIP	1
† 2.5		HOLDER, NOZZLE 3PC RUBBER STRIP	1
3	7107223	ENGINE SVC ASSY, KOHLER SH265	1
4	7104174	KEY, SHAFT 3/16" x 3/16" x 1 1/4"	1
† 5	7106573	PUMP, SERVICE ASSEMBLY	1
† 5.1	530011	PUMP, 3400PSI @ 2.3GPM HORIZONTAL-TRIPLEX	1
† 5.2		CAP, UNLOADER COVER 1 1/2" x 5/8" BLACK	1
† 5.3		BOLT 5/16"-24 x 1" HHCS GR5	4
† 5.4		WASHER, SPLIT-LOCK 5/16" RUST RESISTANT	4
6	7105013	WHEEL, SERVICE KIT	1
† 6.1		POWER WASHER WHEEL, 4" x 10" BLK W/ 5/8" BRG	2
† 6.2		WASHER, 5/8" FLAT	2
† 6.3		CLIP, E-TYPE 0.625" x 0.042"	2
7	7107262	FOOT KIT, SERVICE KIT	2
† 7.1		FOOT, RECESSED RUBBER INSERT	1
† 7.2		SCREW, M6-1.0 X 31.8MM TORX PANHEAD W/SHOULDER	1
† 7.3		SPRING, .875 X .600 WAVE TYPE	1
† 7.4		WASHER, 5/16 X .045	1
8	7103750	MOUNTING KIT, ENGINE	1
† 8.1		BOLT, FLANGE 5/16"-18 x 1 3/4" HHFB	4
† 8.2		NUT, WHIZ 5/16"-18	4
9	7105474	HARDWARE KIT, PUMP MOUNTING	1
† 9.1		BOLT 5/16"-24 x 1" HHCS GR5	4
† 9.2		WASHER, SPLIT-LOCK 5/16" RUST RESISTANT	4
10	7104570	HARDWARE KIT, HANDLE MOUNTING	2
† 10.1		BOLT, SADDLE 5/16"-18 x 2"	1
† 10.2		KNOB, HANDLE 5/16-18	1
11	7104818	NOZZLE KIT, 2.8 5PC	1
12	7106671	HANDLE GRIP, SIMPSON BLACK W/ WHITE LETTERING	1
13	7107182	GUN, 4500PSI, 6.6GPM, M22(M) W/DIAL-N-WASH	1
14	7103550	LANCE, 16" W/ 1/4" QC-F x M22(M)	1
15	7107184	HOSE, 5/16" x 35' x 3700PSI MORFLEX M22	1
16	7102037	KIT, SOAP HOSE & FILTER	1
* 17	7102045	TOOL, NOZZLE CLEANING, UNIVERSAL	1
* 18	7107202	MANUAL, ALH3225 OPERATOR'S	1
* 19	7107203	BOX, SHIPPING ALH3225 SPECIFIC	1



* NOT SHOWN
† NOT SOLD SEPERATELY

PUMP INFORMATION TABLE			
MACHINE SERIAL NO.	PUMP TYPE	PUMP PART NO.	PUMP KIT NO.
	3400PSI @ 2.3GPM	530011	7106573

ONLY THE LATEST VERSION OF THE PUMP IS AVAILABLE FOR REPLACEMENT

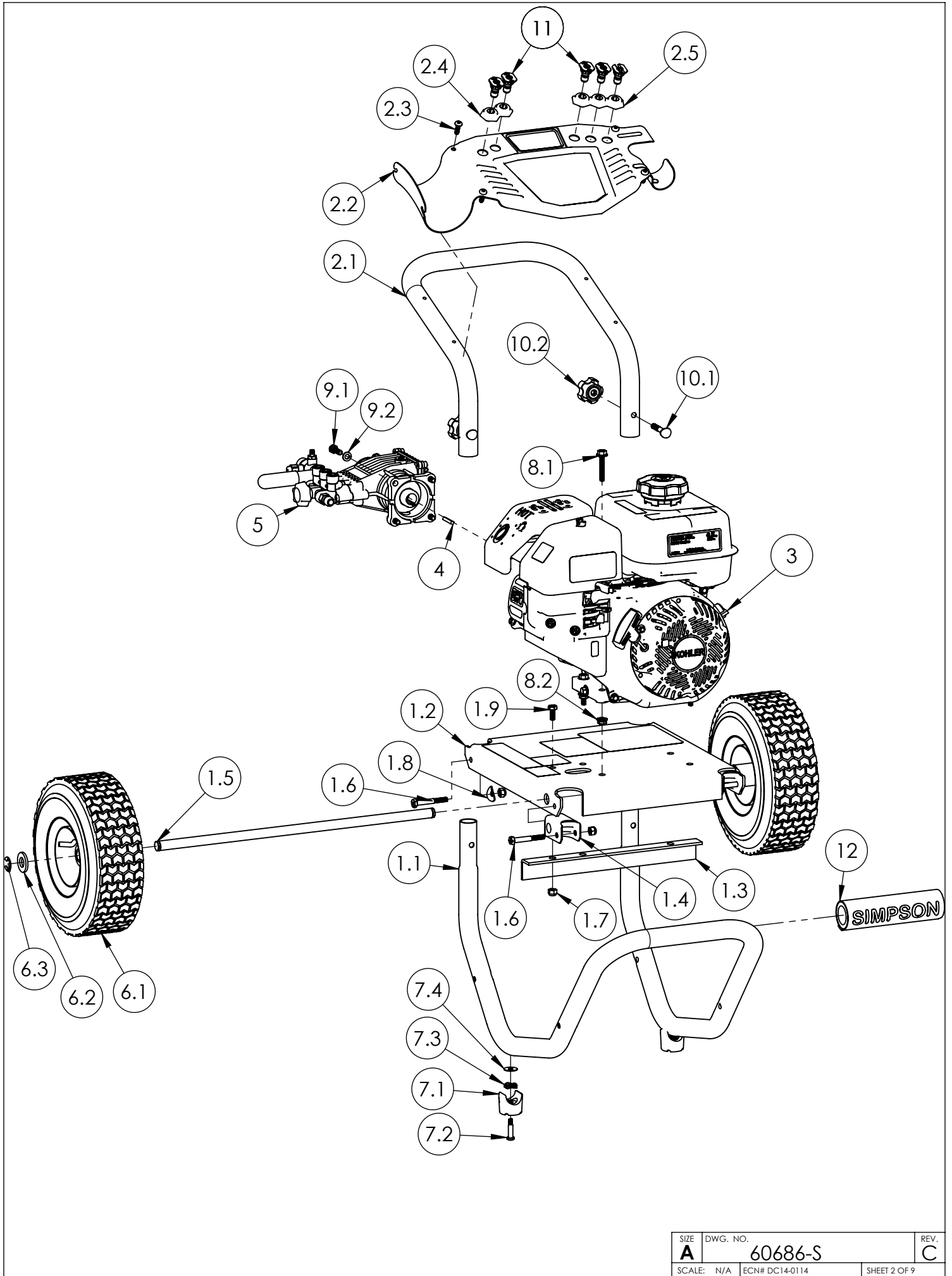
	NAME	DATE
DRAWN	TV	5/8/2014
CHECKED	M.G.	5/12/2014
ENG APPR.	S.A.C.	5/13/2014
MFG APPR.	J.C.P.	9/30/2013
Q.A. APPR.	J.C.	5/12/2014
SERVICE APPR.	D.H.	9/30/2013

FNA-GROUP
1265 INDUSTRIAL STREET, DECATUR, AR 72722

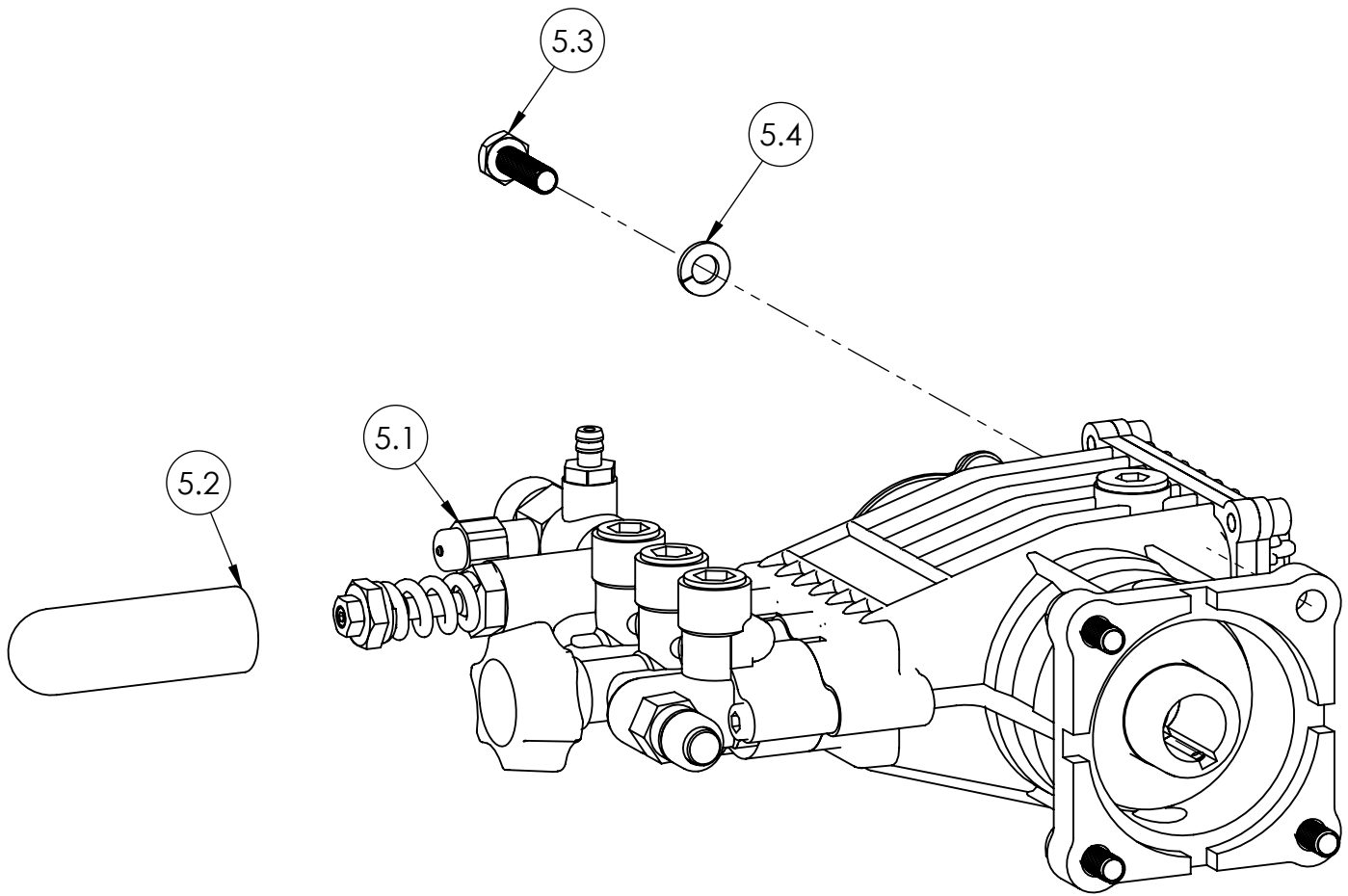
TITLE:
**ALH3225 SIMPSON
3200PSI @ 2.5GPM**

PROPRIETARY AND CONFIDENTIAL
THE INFORMATION CONTAINED IN THIS DRAWING IS THE SOLE PROPERTY OF FNA-GROUP. ANY REPRODUCTION IN PART OR AS A WHOLE WITHOUT THE WRITTEN PERMISSION OF FNA-GROUP IS PROHIBITED.

SIZE	DWG. NO.	REV.
A	60686-S	C
SCALE:	N/A	ECN# DC14-0114
		SHEET 1 OF 9



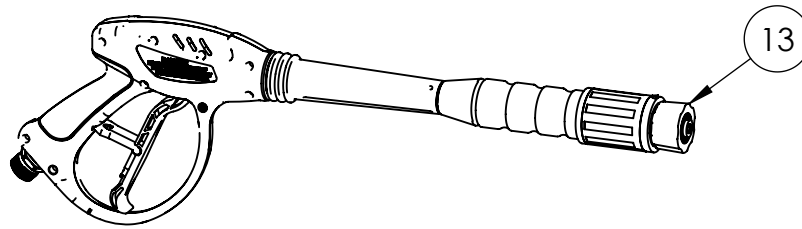
SIZE	DWG. NO.	REV.
A	60686-S	C
SCALE: N/A	ECN# DC14-0114	SHEET 2 OF 9



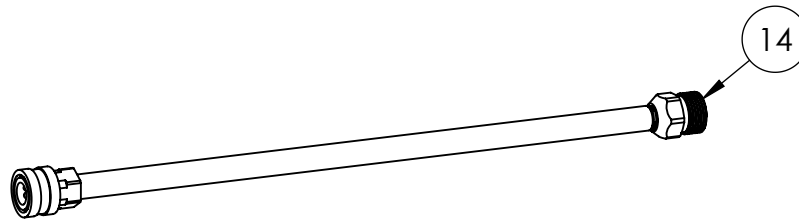
PUMP, SERVICE ASSEMBLY
PART NO. 7106573

ITEM	PART NO.	DESCRIPTION	QTY
5.1	530011	PUMP, 3400PSI @ 2.3GPM HORIZONTAL-TRIPLEX	1
5.2		CAP, UNLOADER COVER 1 1/2" x 5/8" BLACK	1
5.3		BOLT 5/16"-24 x 1" HHCS GR5	4
5.4		WASHER, SPLIT-LOCK 5/16" RUST RESISTANT	4
* 4	7104174	KEY, 3/16" x 3/16" x 1 1/4" SHAFT	1

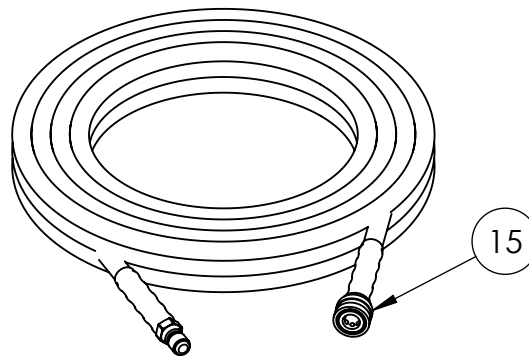
* NOT SHOWN



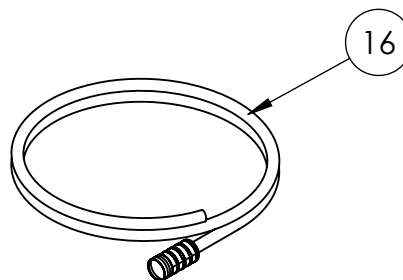
GUN, 4500PSI @ 6.6GPM M22(M) W/DIAL-N-WASH
PART NO. 7107182



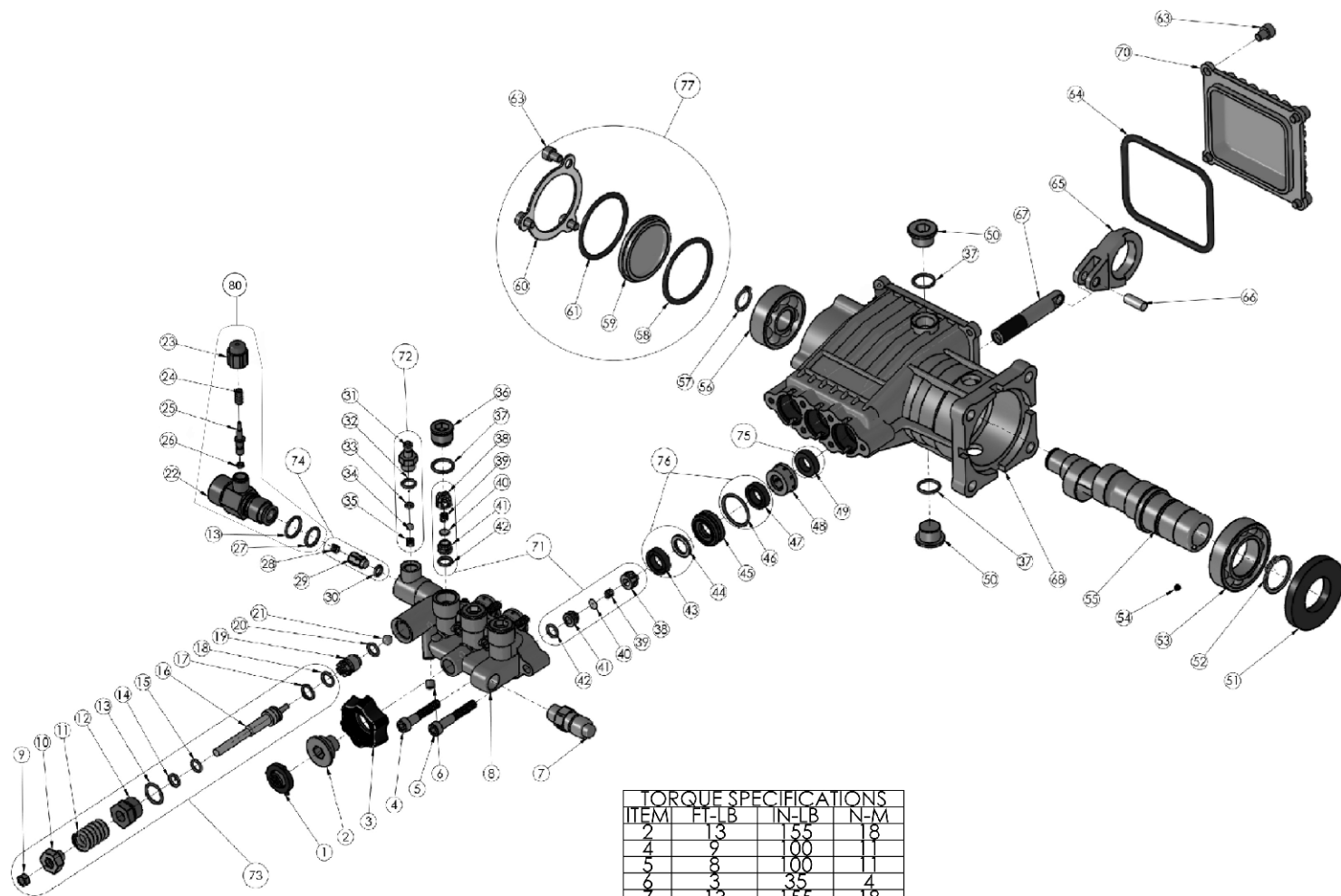
LANCE, 16" W/ 1/4"QC-F x M22(M)
PART NO. 7103550



HOSE, 3/8" x 35' x 4500PSI MORFLEX M22
PART NO. 7107184



KIT, SOAP HOSE & FILTER
PART NO. 7102037

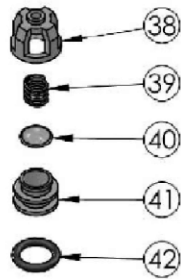


TORQUE SPECIFICATIONS			
ITEM	FT-LB	IN-LB	N-M
2	13	55	8
4	9	100	11
5	100	100	11
9	100	35	4
12	100	55	8
22	100	55	8
23	100	55	8
31	9	10	1
36	100	55	8
50	100	55	8
63	80	80	9

ITEM	PART NO.	DESCRIPTION	QTY
1	7000123	SCREEN, WATER INLET	1
2	7105704	CONNECTOR, WATER INLET	1
3	7105705	NUT, HAND TIGHT	1
4	7000325	SCREW	3
5	7104692	SCREW	3
6	7005061	SCREW, SET	1
7	7101359	VALVE, THERMAL RELIEF	1
8	7105706	MANIFOLD	1
9	N/A	NUT, UNLOADER JAM	1
10	N/A	NUT, UNLOADER ADJUSTMENT	1
11	N/A	SPRING, UNLOADER	1
12	N/A	GUIDE BUSHING UNLOADER	1
13	7105707	O-RING	2
14	N/A	BACK-UP RING, UNLOADER VALVE	1
15	N/A	O-RING	1
16	N/A	STEM, UNLOADER	1
17	N/A	O-RING	1
18	N/A	BACK-UP RING, SPLIT	1
19	7105708	VALVE SEAT	1
20	7105709	O-RING	1
21	7105710	BALL, UNLOADER VALVE	1
22	7105711	BODY, SOAP INJECTOR	1
23	7105712	CAP, BOOST VALVE	1
24	7105713	SPRING, BOOST VALVE	1
25	7107486	VALVE, PRESSURE BOOST 1.5MM	1
26	7105715	O-RING	1
27	7105716	O-RING	1
28	N/A	SPRING, CHECK VALVE	1
29	N/A	CHECK VALVE	1
30	N/A	O-RING	1
31	N/A	FITTING, SOAP INJECTION	1
32	N/A	O-RING	1
33	N/A	O-RING	1
34	N/A	BALL, SOAP VALVE	1
35	N/A	SPRING, SOAP VALVE	1
36	7105717	PLUG MANIFOLD	3
37	7105718	O-RING	5
38	N/A	CAGE, VALVE	6
39	N/A	SPRING, VALVE	6
40	N/A	DISK, VALVE	6

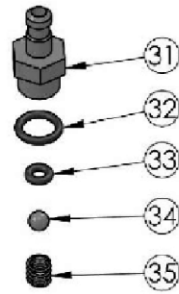
ITEM	PART NO.	DESCRIPTION	QTY
41	N/A	SEAT, VALVE	6
42	N/A	O-RING	6
43	N/A	SEAL HIGH PRESSURE	3
44	N/A	RING, ANTI-EXT	3
45	7105719	RETAINER	3
46	N/A	O-RING	3
47	N/A	SEAL, LOW PRESSURE	3
48	7105720	RETAINER, SEAL	3
49	N/A	SEAL, OIL	3
50	7105721	PLUG, CRANKCASE	2
51	7105722	SEAL, OIL	1
52	7105723	RING, RETAINING	1
53	7105724	BEARING, CRANKSHAFT	1
54	7103426	SCREW	1
55	-	CRANKSHAFTS	-
-	7105725	CRANKSHAFT 8.7GA12	1
-	7105726	CRANKSHAFT, 9.6GA12	1
56	7105727	BEARING, CRANKSHAFT	1
57	7105729	RING, RETAINING	1
58	N/A	O-RING	1
59	7105918	SIGHT GLASS	1
60	7105919	CRANKSHAFT, SIDE COVER	1
61	N/A	RING, RETAINING	1
63	N/A	SCREW	7
64	7105920	GASKET	1
65	7105730	CONNECTING ROD	3
66	7105731	PIN, CONNECTING ROD	3
67	7105732	PISTON, CERAMIC COATED	3
68	7105733	CRANKCASE, PUMP	1
70	7105922	CRANKCASE, END COVER	1

ITEM	PART NO.	DESCRIPTION	QTY
71	7104223	VALVE KIT	6
72	7104228	SOAP INJECTOR KIT	1
73	7105739	UNLOADER KIT	1
74	7105740	UNLOADER CHECK VALVE KIT	1
75	7105741	OIL SEAL KIT	1
76	7105742	HIGH AND LOW PRESSURE SEAL KIT	1
77	7105921	CRANKCASE SIDE COVER KIT	1
78	7105745	MANIFOLD KIT	1
79	7105936	CRANKCASE KIT	1
80	7107484	OUTLET FITTING KIT	1



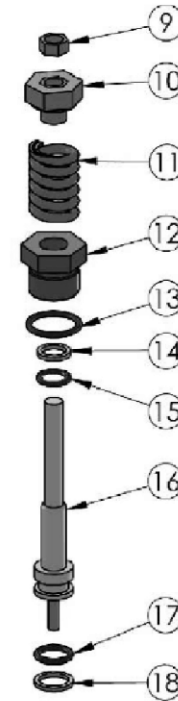
7104223
ITEM 71 VALVE KIT

ITEM	QTY	DESCRIPTION
38	6	CAGE, VALVE
39	6	SPRING, VALVE
40	6	DISK, VALVE
41	6	SEAT, VALVE
42	6	O-RING



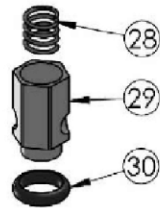
7104228
ITEM 72 SOAP INJECTOR KIT

ITEM	QTY	DESCRIPTION
31	1	FITTING, SOAP INJECTION
32	1	O-RING
33	1	O-RING
34	1	BALL, 3/16" SOAP VALVE
35	1	SPRING, SOAP VALVE



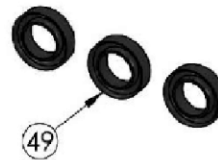
7105739
ITEM 73 UNLOADER KIT

ITEM	QTY	DESCRIPTION
9	1	NUT, UNLOADER JAM
10	1	NUT, UNLOADER ADJUSTMENT
11	1	SPRING, UNLOADER
12	1	GUIDE BUSHING, UNLOADER
13	1	O-RING
14	1	BACK-UP RING, UNLOADER VALVE
15	1	O-RING
16	1	STEM, UNLOADER
17	1	O-RING
18	1	BACK-UP RING, SPLIT



7105740
ITEM 74 UNLOADER CHECK VALVE KIT

ITEM	QTY	DESCRIPTION
28	1	SPRING, CHECK VALVE
29	1	CHECK VALVE
30	1	O-RING



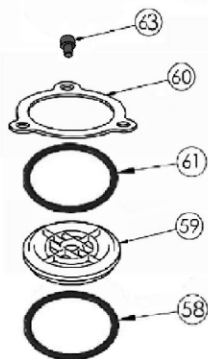
7105741
ITEM 75 OIL SEAL KIT

ITEM	QTY	DESCRIPTION
49	3	SEAL, OIL



7105742
ITEM 76 HIGH AND LOW PRESSURE SEAL KIT

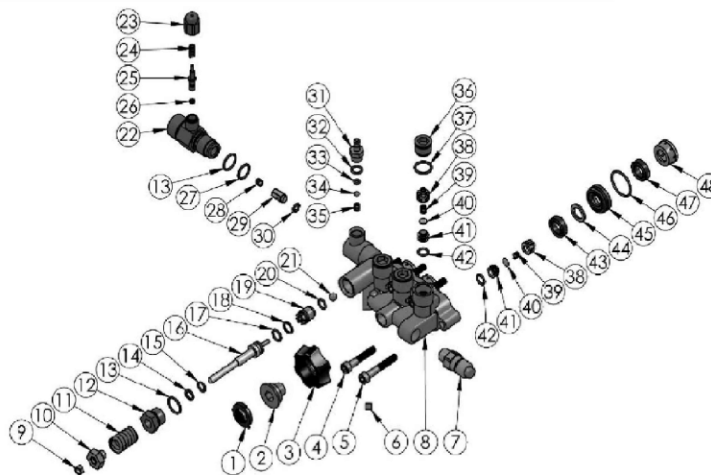
ITEM	QTY	DESCRIPTION
43	3	SEAL, HIGH PRESSURE
44	3	RING, ANTI-EXT
46	3	O-RING
47	3	SEAL, LOW PRESSURE



ITEM 77 CRANKCASE END COVER KIT

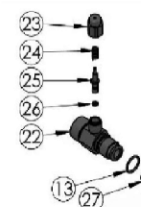
PART NO.	DESCRIPTION
7105921	CRANKCASE SIDE COVER KIT

ITEM	QTY	DESCRIPTION
58	1	O-RING
59	1	SIGHT GLASS
61	1	O-RING (Flat)
60	1	CRANKCASE, SIDE COVER
63	3	SCREW



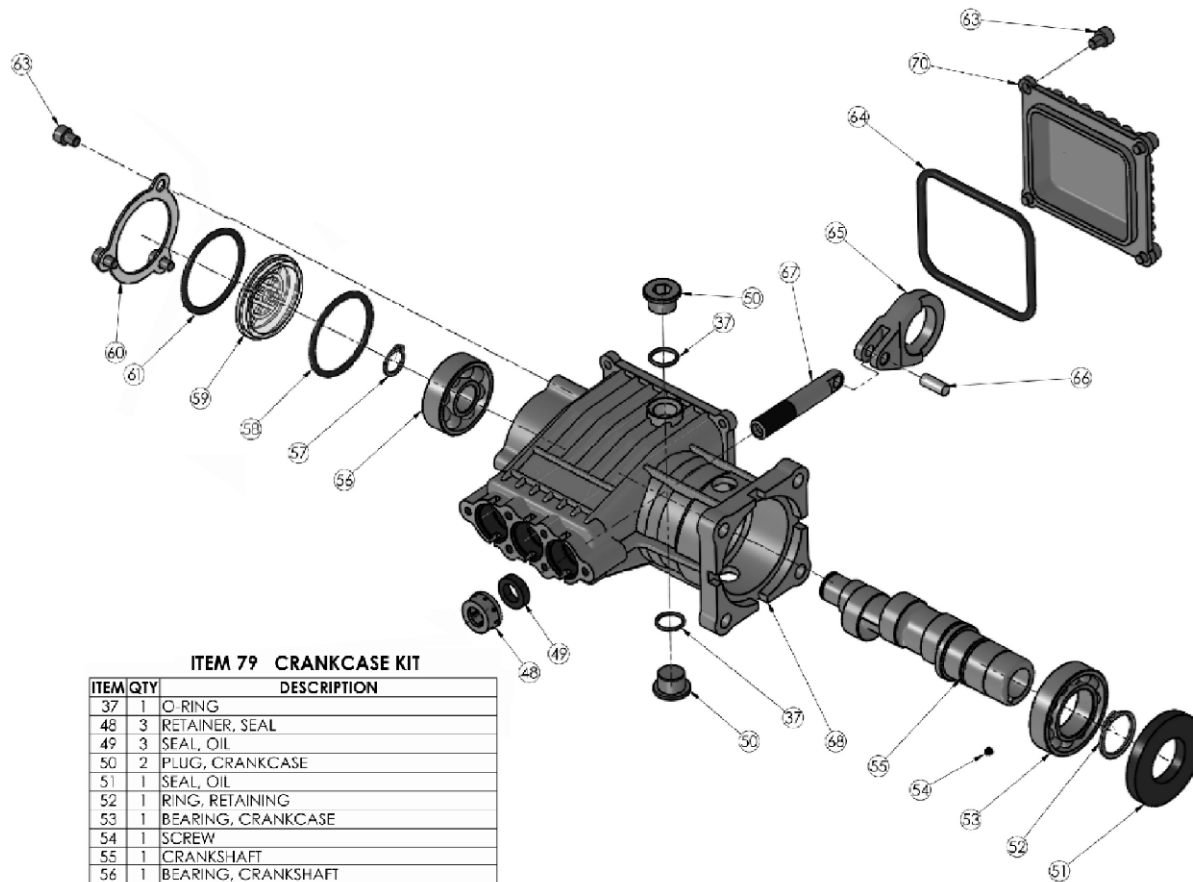
7105745
ITEM 78 MANIFOLD KIT

ITEM	QTY	DESCRIPTION	ITEM	QTY	DESCRIPTION
1	1	SCREEN, WATER INLET	25	1	VALVE, PRESSURE BOOST
2	1	CONNECTOR, WATER INLET	26	1	O-RING
3	1	NUT, HAND TIGHT	27	1	O-RING
4	3	SCREW	28	1	SPRING, CHECK VALVE
5	3	SCREW	29	1	CHECK VALVE
6	1	SCREW, SET	30	1	O-RING
7	1	VALVE, THERMAL RELIEF	31	1	FITTING, SOAP INJECTION
8	1	MANIFOLD	32	1	O-RING
9	1	NUT, UNLOADER JAM	33	1	O-RING
10	1	NUT, UNLOADER ADJUSTMENT	34	1	BALL, 3/16" SOAP VALVE
11	1	SPRING, UNLOADER	35	1	SPRING, SOAP VALVE
12	1	GUIDE BUSHING, UNLOADER	36	3	PLUG, MANIFOLD
13	2	O-RING	37	3	O-RING
14	1	BACK-UP RING, UNLOADER VALVE	38	6	CAGE, VALVE
15	1	O-RING	39	6	SPRING, VALVE
16	1	STEM, UNLOADER	40	6	DISC, VALVE
17	1	O-RING	41	6	SEAT, VALVE
18	1	BACK-UP RING, SPLT	42	6	O-RING
19	1	VALVE SEAT	43	3	SEAL, HIGH PRESSURE
20	1	O-RING	44	3	RING, ANTI-EXT
21	1	BALL, UNLOADER VALVE	45	3	RETAINER
22	1	BODY, SOAP INJECTOR	46	3	O-RING
23	1	CAP, BOOST VALVE	47	3	SEAL, LOW PRESSURE
24	1	SPRING, BOOST VALVE	48	3	RETAINER, SEAL



7107484
ITEM 80 OUTLET FITTING KIT

ITEM	QTY	DESCRIPTION
23	1	CAP, BOOST VALVE
24	1	SPRING, POWER BOOST VALVE
25	1	VALVE, PRESSURE BOOST
26	1	O-RING
22	1	BODY, SOAP INJECTOR
13	1	O-RING
27	1	O-RING



ITEM 79 CRANKCASE KIT

ITEM	QTY	DESCRIPTION
37	1	O RING
48	3	RETAINER, SEAL
49	3	SEAL, OIL
50	2	PLUG, CRANKCASE
51	1	SEAL, OIL
52	1	RING, RETAINING
53	1	BEARING, CRANKCASE
54	1	SCREW
55	1	CRANKSHAFT
56	1	BEARING, CRANKSHAFT
57	1	RING, RETAINING
58	1	O-RING
59	1	SIGHT GLASS
60	1	CRANKCASE SIDE COVER
61	1	RETAINING RING
63	7	SCREW
64	1	GASKET
65	3	CONNECTING ROD
66	3	PIN, CONNECTING ROD
67	3	PISTON, CERAMIC COATED
68	1	CRANKCASE, HOUSING
70	1	CRANKCASE, END COVER