



Ersatzteilliste

Spare Parts List

Liste des pièces de rechange

KÄRCHER 570

1.721-680 USA 115 V, 1 Ph. 60 Hz

749017702

5.952-187 6/92

Index

M 16



GRUPPE 1: EINZELTEILE	A 1 - C 1
GRUPPE 2: PUMPENSATZ	A 2 - G 2
GRUPPE 3: MOTOR	A 3 - C 3
GRUPPE 4: ZUBEHÖR	A 4 - D 4
ÄNDERUNGSÜBERSICHT	A 15

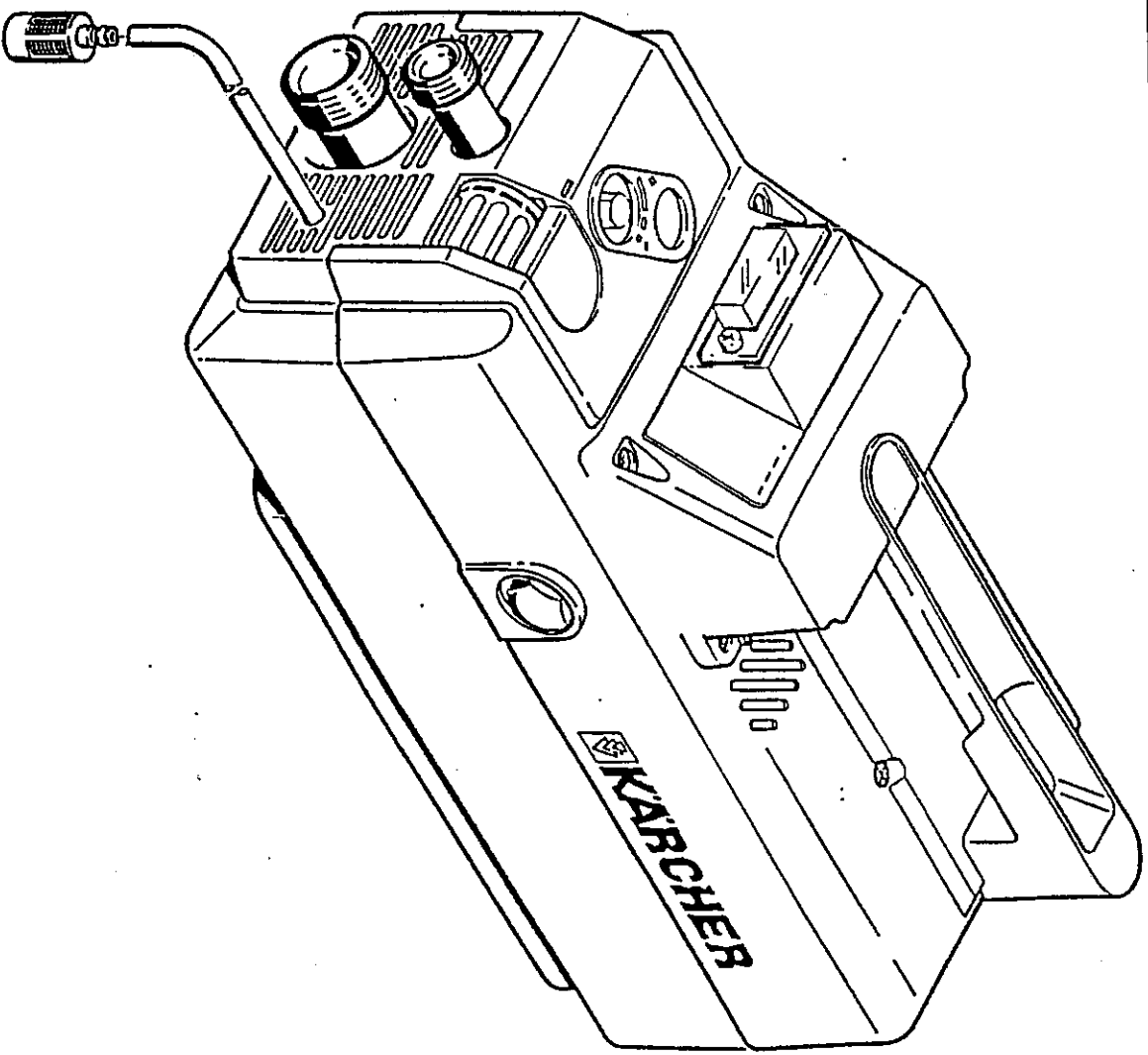
GROUP 1: COMPONENT PARTS	A 1 - C 1
GROUP 2: PUMP UNIT	A 2 - G 2
GROUP 3: MOTOR	A 3 - C 3
GROUP 4: ACCESSORIES	A 4 - D 4
ALTERNATION SURVEY	A 15

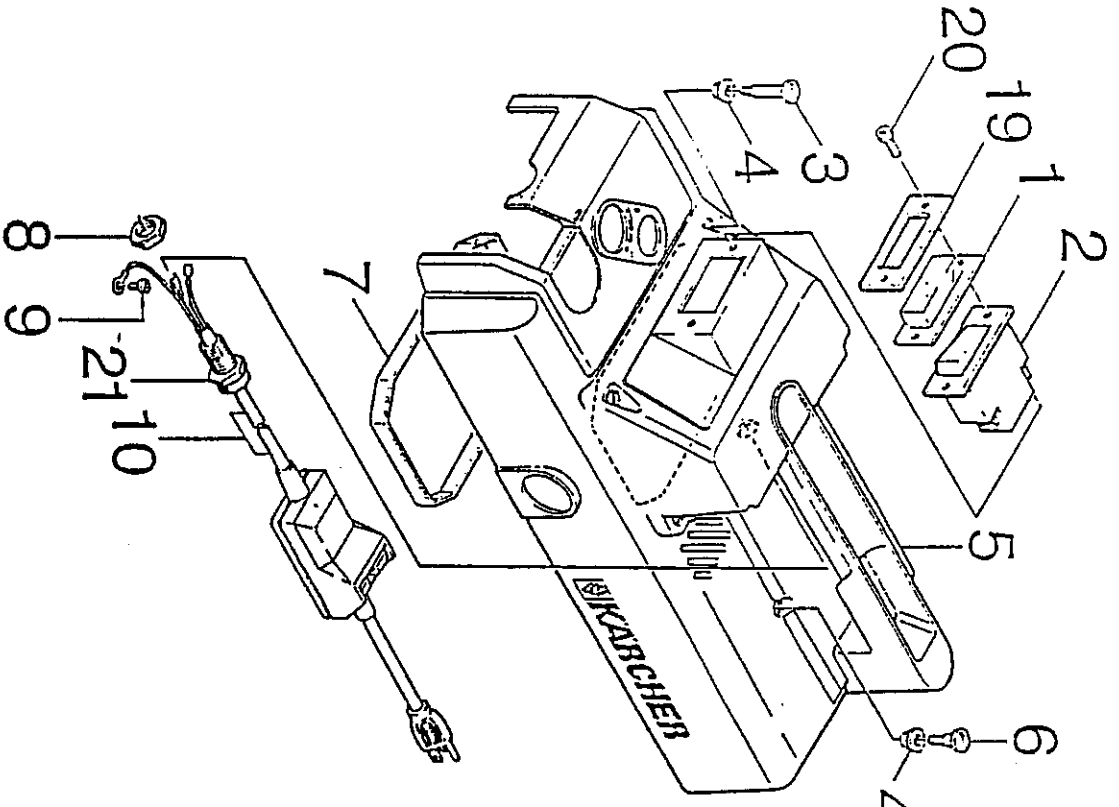
GRUPE 1: PIÈCES DÉTACHÉES	A 1 - C 1
GRUPE 2: MOTO-POMPE	A 2 - G 2
GRUPE 3: MOTEUR	A 3 - C 3
GRUPE 4: ACCESSOIRES	A 4 - D 4
VUE D'ENSEMBLE DE MODIFICATION	A 15

Gruppe 1: Einzelteile
Group 1: Component Parts
Groupe 1: Pièces détachées

A 1

KÄRCHER 570





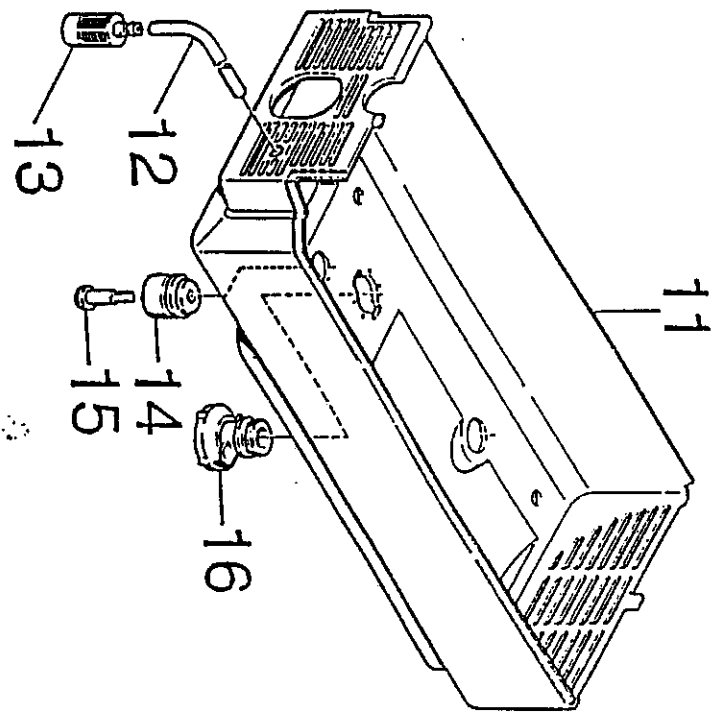
Pos. Item Pos.	Benennung Description Designation	Teil-Nr. Part-No. No. pièce	Stück Qty. Nbr.
1	Schutzkappe/ Protecting Cap/ Capot Protection	6.631-441.0	1
2	Wippschalter/ Rocker Switch/ Commutateur à Bascule	6.631-440.0	1
3	Linsenschr. M5x32/ Oval Head Screw/ Vis A Tête Bombée	6.303-077.0	4
4	Buchse/ Bush/ Rondelle	5.112-292.0	6
5	Haube-Oberteil/ Cap-Upper/ Capot Partie Super.	5.066-222.0	1
6	Linsenschr. M5x18/ Oval Head Screw/ Vis A Tête Bombée	6.303-075.0	2
7	Profildichtung/ Profil Seal/ Joint Profilée	5.365-135.0	1
8	Mutter/ Nut/ Ecrou/ PG 11	6.641-367.0	1
9	Erdungsschr. M4x8/ Screw/ Vis	6.303-074.0	1
10	Kabel Mit Stecker bis Werk-Nr. 409 180/ Cable With plug up to serial No. 409 180/ Cable Avec Fiche jusqu'au numero de fabrication 409 180	6.641-788.0	1
10	Kabel Mit Stecker+GFCI ab Werk-Nr. 409 181/ Cable With a partiel du numero de fabrication 409 181	6.641-918.0	1
19	Rahmen/ Frame/ Cadre	5.050-031.0	1
20	Schraube/ Screw/ Vis M 4x12	6.303-059.0	2
21	Kabelverschraubung/ Cable Connector/ Raccord de Cables/ PG 11	6.641-668.0	1



Gruppe 1: Einzelteile
 Group 1: Component Parts
 Groupe 1: Pièces détachées

C 1

KÄRCHER 570



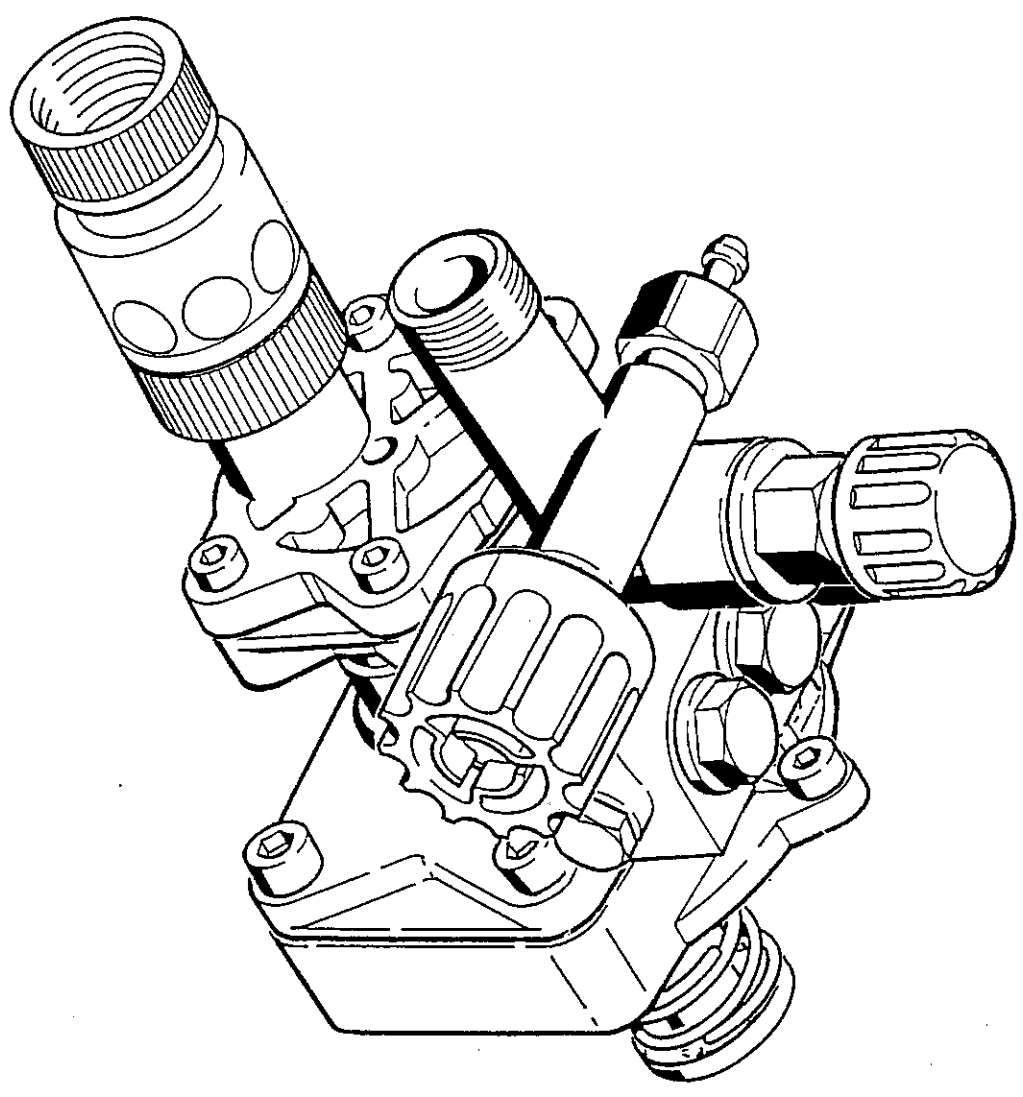
Pos. Benennung Item Description Pos. Designation	Telle-Nr. Part-No. No. piece	Stück Qty. Nbr.
11 Haube-Unterteil/ Cap Bottom/ Capot Partie Infer.	5.086-205.0	1
12 Schlauch Nw 5/ Flexible Tube/ Tuyau Flexible	6.388-216.0	2
13 Filter/ Filter/ Filtre	6.414-277.0	1
14 Auflager/ Support/ Appui	5.057-034.0	3
15 Linsenschr. M5x27/ Oval Head Screw/ Vis A Tete Bombée	6.303-084.0	3
16 Trichter/ Funnel/ Entonnoir	5.013-059.0	1



Gruppe 2: Pumpensatz
Group 2: Pump Unit
Groupe 2: Moto-pompe

A 2

KÄRCHER 570



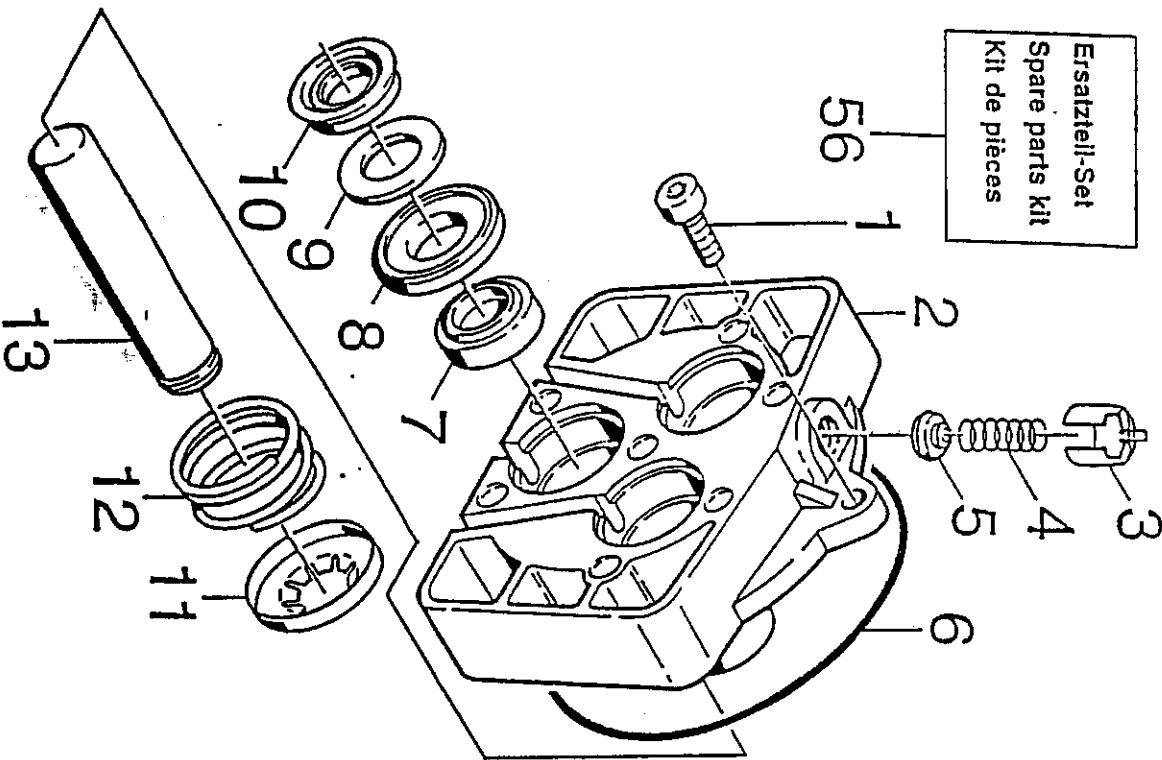
1
1.7.11-02.07.003

Gruppe 2: Pumpensatz
 Group 2: Pump Unit
 Groupe 2: Moto-pompe

B 2

KÄRCHER 570

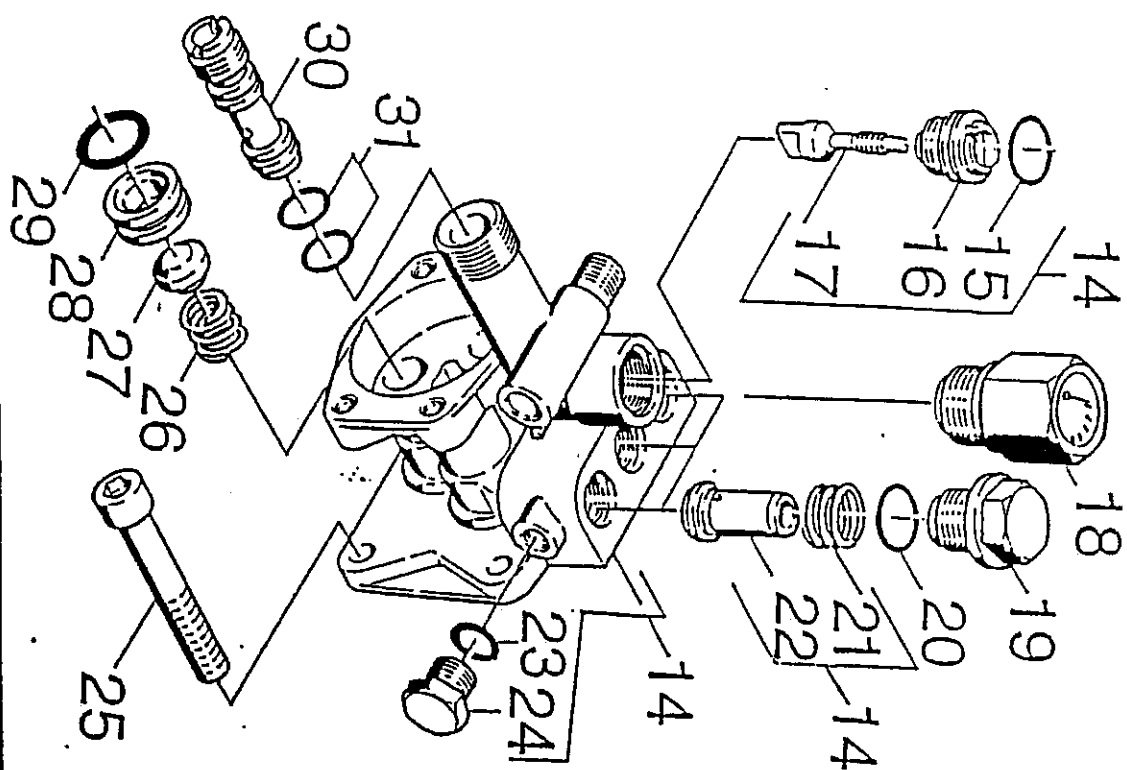
Ersatzteil-Set
 Spare parts kit
 Kit de pièces



Pos. Item Pos.	Benennung Description Designation	Teil-Nr. Part-No. No. piece	Stück Qty. Nbr.
1	Zyl.schr. M6x12/ Cheese Head Screw/ Vis A Tete Cylindr.	6.304-016.0	2
2	Gehäuse/ Housing/ Boltier	5.060-340.0	1
3	Formcell/ Preform/ Preforme	5.030-533.0	1
4	Schraubenfeder/ Coil Spring/ Ressort A Boudin	5.332-209.0	1
5	Ventilteller/ Valve Head/ Tete de Soupape	5.582-080.0	1
6	O-Ring 85x3/ O-Ring/ Joint Torique	6.362-097.0	1
7	Nutring 16x24x7/ Packing Ring/ Joint Rainure	6.365-322.0	3
8	Scheibe/ Washer/ Rondelle	5.115-385.0	3
9	Scheibe/ Disk/ Disque	5.115-425.0	3
10	Nutring 16x24x4,6/ Grooved Ring/ Joint En U A Levres	6.365-321.0	3
11	Formcell/ Preform/ Preforme	5.030-500.0	3
12	Schraubenfeder/ Coil Spring/ Ressort A Boudin	5.332-206.0	3
13	Kolben/ Plunger/ Piston	5.553-184.0	3
56	Ersatzteilset siehe Bildtafel E16/ Spare parts kit see board E16/ Kit de pieces voir tableau E16	2.883-013.0	1



423780



Pos. Benennung Item Description Pos. Designation	Telle-Nr. Part-No. No. piece	Stück Qty. Nbr.
--	------------------------------------	-----------------------

bis Werk.-Nr. 423 780/ up to serial No. 423 780/ jusqu'au N° de fabrication 423 780		
14	Ubs-Zyl.kopf/ Reversion Kit Cyl.H/ Jeu de Remplacement	2.982-293.0 1
15	O-Ring 12x2/ O-Ring/ Joint Torique	6.362-169.0 1
16	Ventil-Sitz/ Valve Seat/ Siege Soupape	5.581-103.0 1
17	Formschraube/ Special Screw/ Vis Profilée	5.305-146.0 1
18	Manometer 0-160/ Manometer/ Manometre	6.421-123.0 1
19	Ventilschraube/ Valve Screw/ Bouchon de Soupape	5.583-088.0 2
20	O-Ring 13.3x2.4/ O-Ring/ Joint Torique	6.362-078.0 4
21	Schraubenfeder/ Coil Spring/ Ressort A Boudin	5.332-116.0 3
22	Ventilbolzen/ Valve Pin/ Axe de Soupape	5.584-056.0 3
23	O-Ring 8x2/ O-Ring/ Joint Torique	6.362-101.0 1
24	Verschluss-Schraube/ / Bouchon	5.411-064.0 1
25	Zyl.schr. 18x50/ Cheese Head Screw/ Vis A tete Cylindr.	6.304-017.0 4
26	Schraubenfeder/ Coil Spring/ Ressort A Boudin	5.332-249.0 3
27	Ventilteller/ Valve Head/ Tete de Soupape	5.582-073.0 3
28	Ventil-Sitz/ Valve Seat/ Siege de Soupape	5.581-104.0 3
29	O-Ring 14x2/ O-Ring / Joint Torique	6.362-481.0 3
30	Dueseneinsatz/ Nozzle Insert/ Insert de Tuyere	5.769-075.0 1
31	O-Ring 9x1.5/ O-Ring/ Joint Torique	6.362-384.0 2



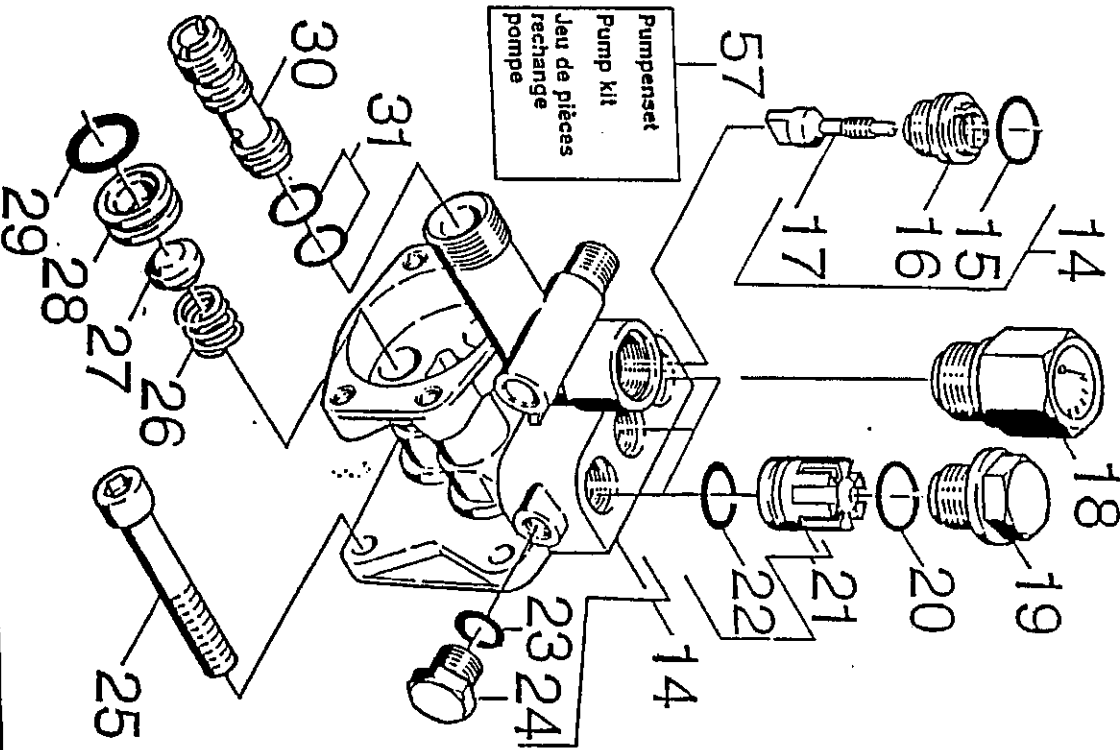
7.721-01.03.007

Gruppe 2: Pumpensatz
 Group 2: Pump Unit
 Groupe 2: Moto-pompe

D 2

KÄRCHER 570

423781



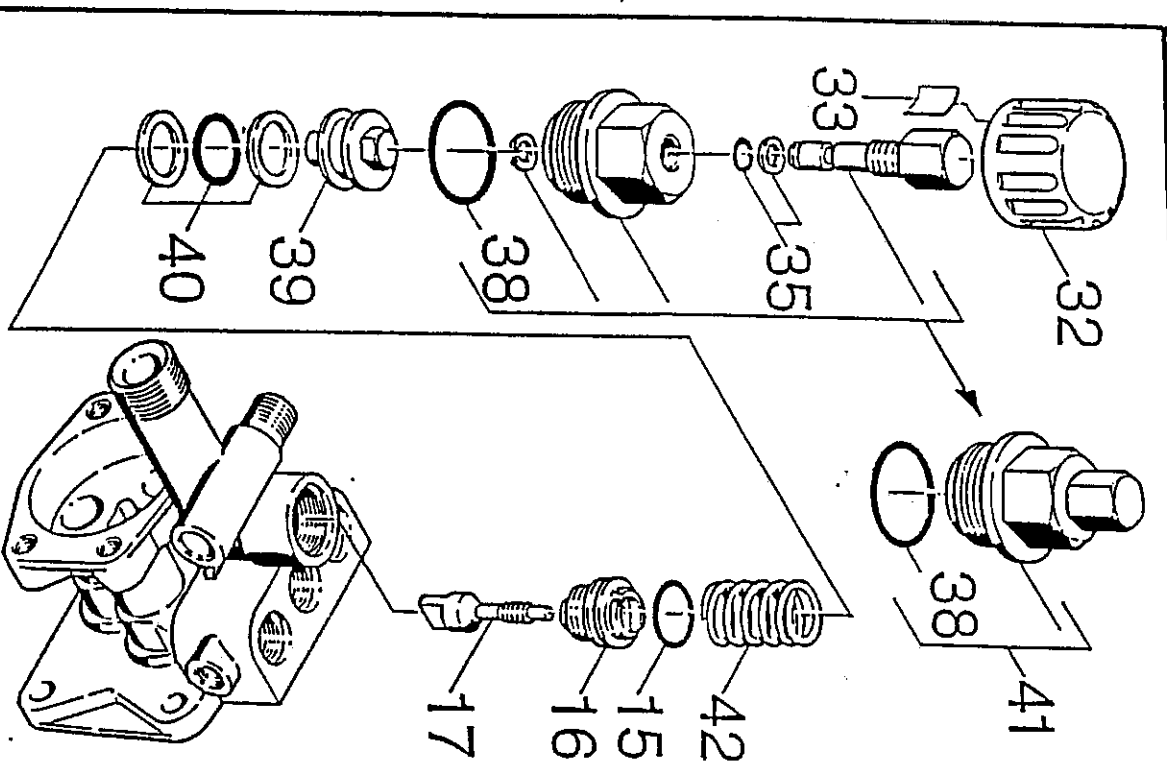
Pos. Benennung
 Item Description
 Pos. Designation

Teile-Nr.
 Part-No.
 No. piece

Stück
 Qty.
 Nbr.

Pos.	Benennung / Item Description / Pos. Designation	Teile-Nr. / Part-No. / No. piece	Stück / Qty. / Nbr.
ab	Herk.-Nr. 423 781 / from serial No. 421381/a partir du N° de fabrication 423 781		
14	Zylinderkopf/ Cylinder Head/ Culasse de Cylindre	4.530-120.0	1
15	O-Ring 12x2/ O-Ring/ Joint Torique	6.362-169.0	1
16	Ventil-Sitz/ Valve Seat/ Siège Soupape	5.581-103.0	1
17	Formschraube/ Special Screw/ Vis Profilée	5.305-146.0	1
18	Manometer 0-160/ Manometer/ Manometre	6.421-123.0	1
19	Ventilschraube/ Valve Screw/ Bouchon de Soupape	5.583-108.0	2
20	O-Ring 13.3x2.4/ O-Ring/ Joint Torique	6.362-078.0	4
21	Ventil Kompletz/ Set of Valves/ Ensemble de Soupape	4.580-180.0	3
22	O-Ring 12.42x1.78/ O-Ring/ Joint Torique	6.362-480.0	3
23	O-Ring 8x2/ O-Ring/ Joint Torique	6.362-101.0	1
24	Verschluss-Schraube/ Screw plug/ Bouchon	5.411-064.0	1
25	Zyl.-schr. M9x50/ Cheese Head Screw/ Vis A Tete Cylindr.	6.304-017.0	4
26	Schraubenfeder/ Coil Spring/ Ressort A Boudin	5.332-249.0	3
27	Ventilteller/ Valve Head/ Tete de Soupape	5.582-073.0	3
28	Ventil-Sitz/ Valve Seat/ Siège de Soupape	5.581-104.0	3
29	O-Ring 14x2/ O-Ring / Joint Torique	6.362-481.0	3
30	Dueseninsatz/ Nozzle Insert/ Insert de Tuyere	5.769-075.0	1
31	O-Ring 9x1.5/ O-Ring/ Joint Torique	6.362-384.0	2
57	Pumpenset siehe Bildtafel H16/Pump kit see board H16/ Jeu de pièces rechange pompe voir tableau H16	2.883-103.0	1





Pos. Benennung Item Description Pos. Designation	Teil-Nr. Part-No. No. piece	Stück Qty. Nbr.
15 O-Ring 12x2/ O-Ring/ Joint Torique	6.362-169.0	1
16 Ventill-Sitz/ Valve Seat/ Siege Soupape	5.581-103.0	1
17 Formschraube/ Special Screw/ Vis Profilée	5.305-146.0	1
32 Griff/ Handle/ Poignée	5.321-194.0	1
33 Sicherungsfeder/ Retaining Spring/ Ressort D'arret	6.313-003.0	1
35 O-Ring Kpl.1st./ O-Ring Compl./ Joint Torique Compl	6.362-477.0	1
38 O-Ring 18x2.5/ O-Ring/ Joint Torique	6.362-079.0	1
39 Kolben/ Piston/ Piston	5.553-176.0	1
40 O-Ring Kpl.2st./ O-Ring Compl./ Joint Torique Compl	6.362-375.0	1
41 Verschraubungsteil/ Screw Fitting/ Raccord Visse	4.401-054.0	1
42 Schraubenfeder/ Coil Spring/ Ressort A Boudin	5.332-207.0	1

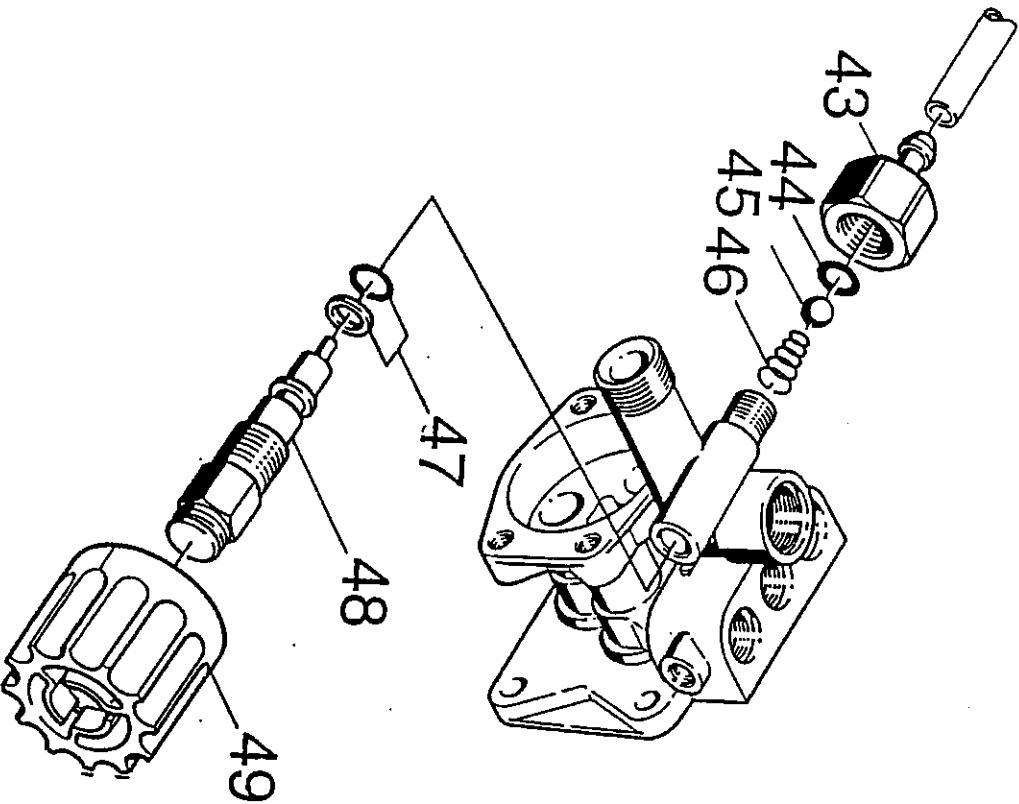


1.721-02.05.001

Gruppe 2: Pumpensatz
 Group 2: Pump Unit
 Groupe 2: Moto-pompe

F 2

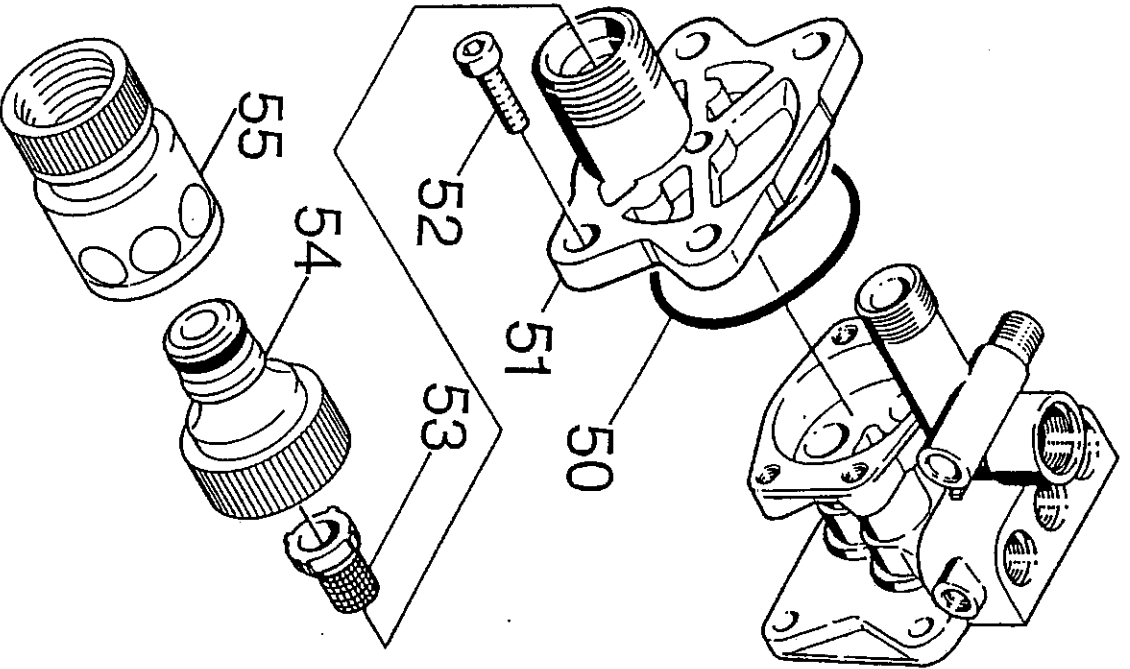
KÄRCHER 570



Pos. Item Pos.	Benennung Description Designation	Teller-Nr. Part-No. No. piece	Stück Qty. Nbr.
43	Schlauchnippel/ Hose Stem/ Raccord Pour Tuyau	5.443-289.0	1
44	O-Ring 6x2/ O-Ring/ Joint Torique	6.362-383.0	1
45	Kugel 7/ Steel Ball/ Ball D'acier	7.401-909.0	1
46	Schraubfeder/ Coil Spring/ Ressort A Boudin	5.332-124.0	1
47	O-Ring Kpl.1st./ O-Ring Compl./ Joint Torique Compl	6.362-365.0	1
48	Spindel/ Spindle/ Pivot	5.291-032.0	1
49	Griff/ Handle/ Poignée	5.321-193.0	1



4701 000 000



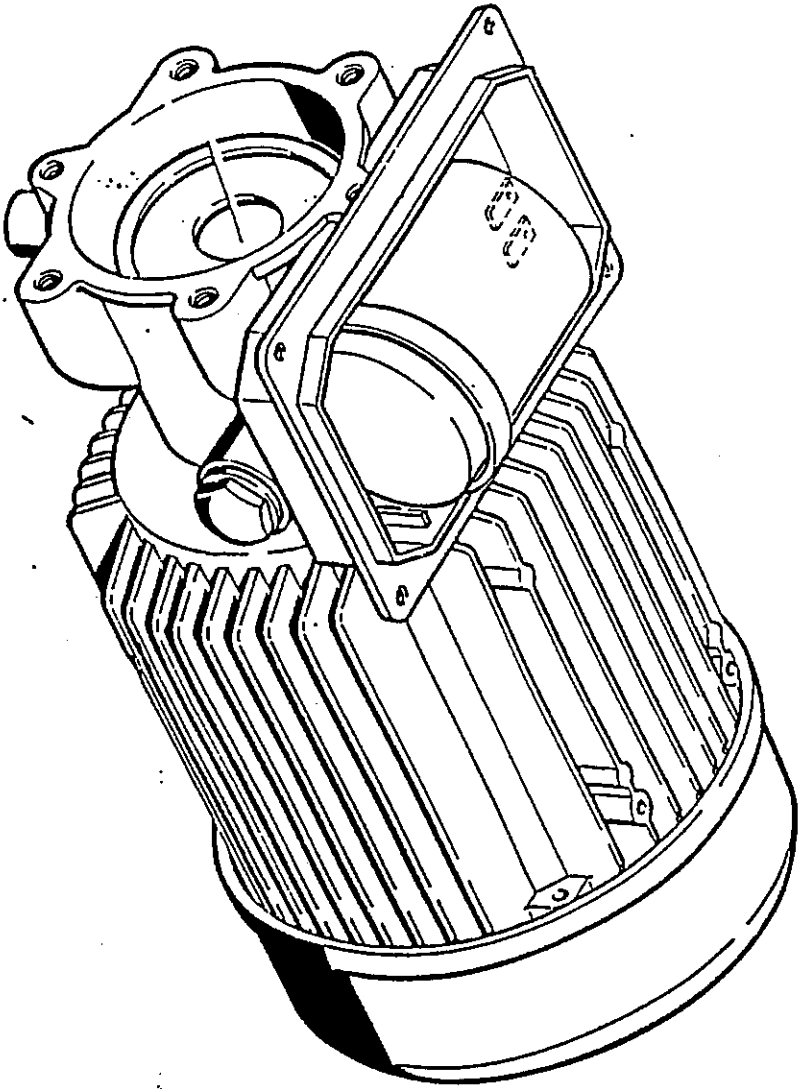
Pos. Pos.	Benennung Item Description Designation	Stück- Part-No. No. piece	Stück Qty. Nbr.
50	O-Ring 50x27/ O-Ring/ Joint torique	6.362-561.0	1
51	Gehäusedeckel/ cover/ couvercle	5.060-260.0	1
52	Zyl.schr. M8x20/ Cheese Head Screw/ Vis A Tete Cylindr.	6.303-078.0	4
53	Sieb/ Strainer/ Passoir	6.414-252.0	1
54	KUPPLUNGSTEIL/ COUPLING ELEMENT/ PIECE D'ACCOUPL.	6.388-576.0	1
55	SCHLAUCHKUPPLUNG/ HOSE COUPLING/ RACCORD POMPIERS	6.389-716.0	1



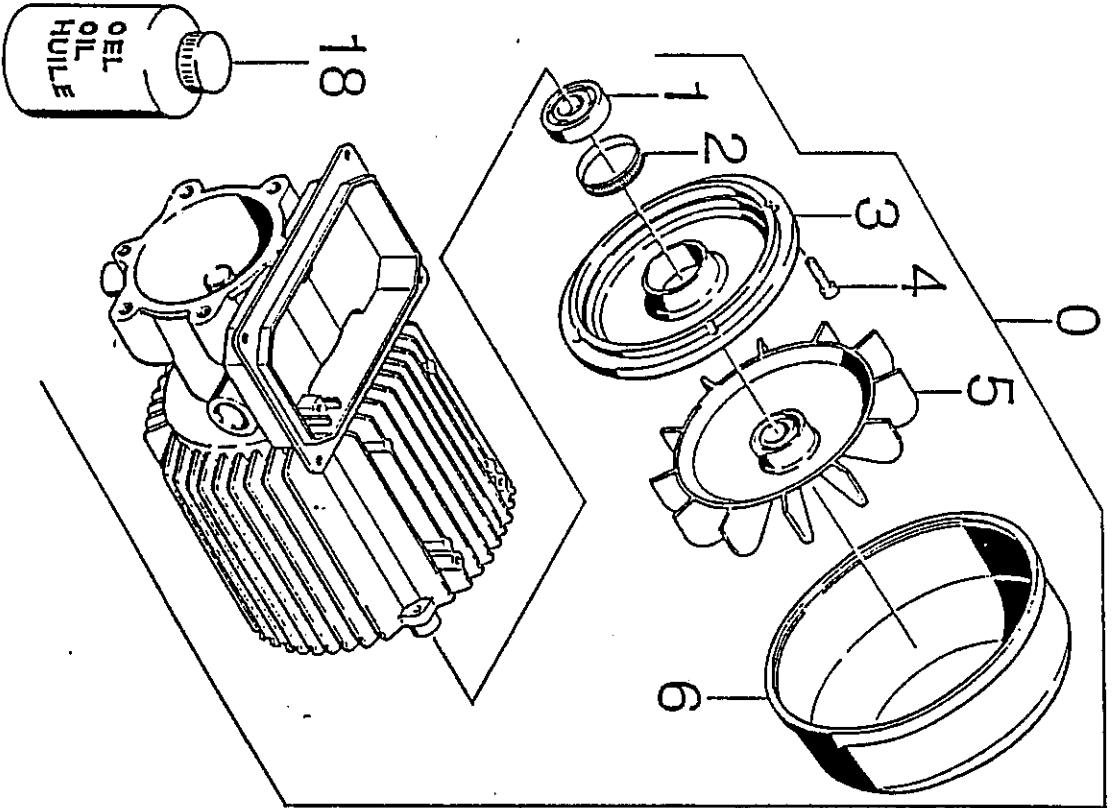
Gruppe 3: Motor
Group 3: Motor
Groupe 3: Moteur

A 3

KÄRCHER 570



1.721-03.07.001



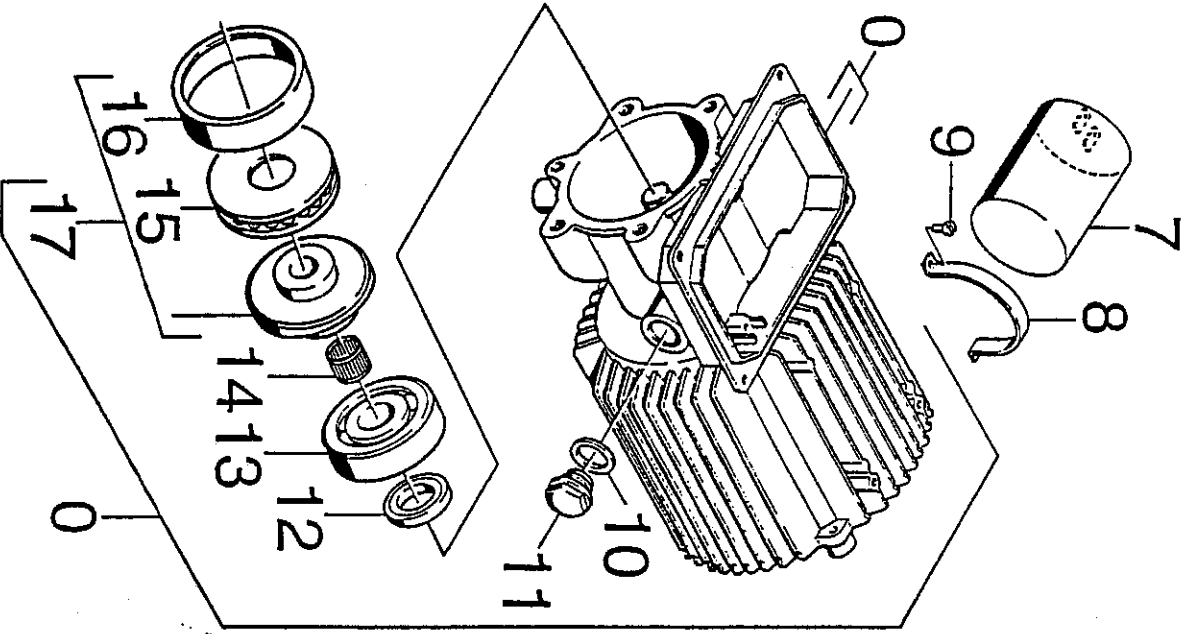
Pos. Benennung Item Description Pos. Designation	Telle-Nr. Part-No. No. Piece	Stück Qty. Nbr.
0 Motor Kompl. bis Werk-Nr. 409 180/ Motor Compl. up to serial No. 409 180/ Moteur Compl. jusqu'au numero de fabrication 409 180	4.623-022.0	1
Motor Kompl. ab Werk-Nr. 409 181/ Motor Compl. from serial No. 409 181/ Moteur Compl. a partir du numero de fabrication 409 181	4.623-060.0	1
1 Kugellager 6003-2rs/ Ball bearing/ Roulement A 8111es	7.401-105.0	1
2 Toleranzring 35x6/ Tolerance Ring/ Cale	6.343-015.0	1
3 Deckel/ Cover/ Flasque Arriere	5.063-293.0	1
4 Zyl.-schr. M5x20/ Cheese-Head Screw/ Vis A Tete Cylindr.	6.303-076.0	4
5 Luefterrad/ Fan Impeller/ Roue de Ventilateur	6.612-163.0	1
6 Luftfuhrung/ Air Circulation/ Capot	5.692-014.0	1
18 Motorenöl/ Engine Oil/ Huile A Moteurs	6.288-050.0	1L



Gruppe 3: Motor
Group 3: Motor
Groupe 3: Moteur

C 3

KÄRCHER 570



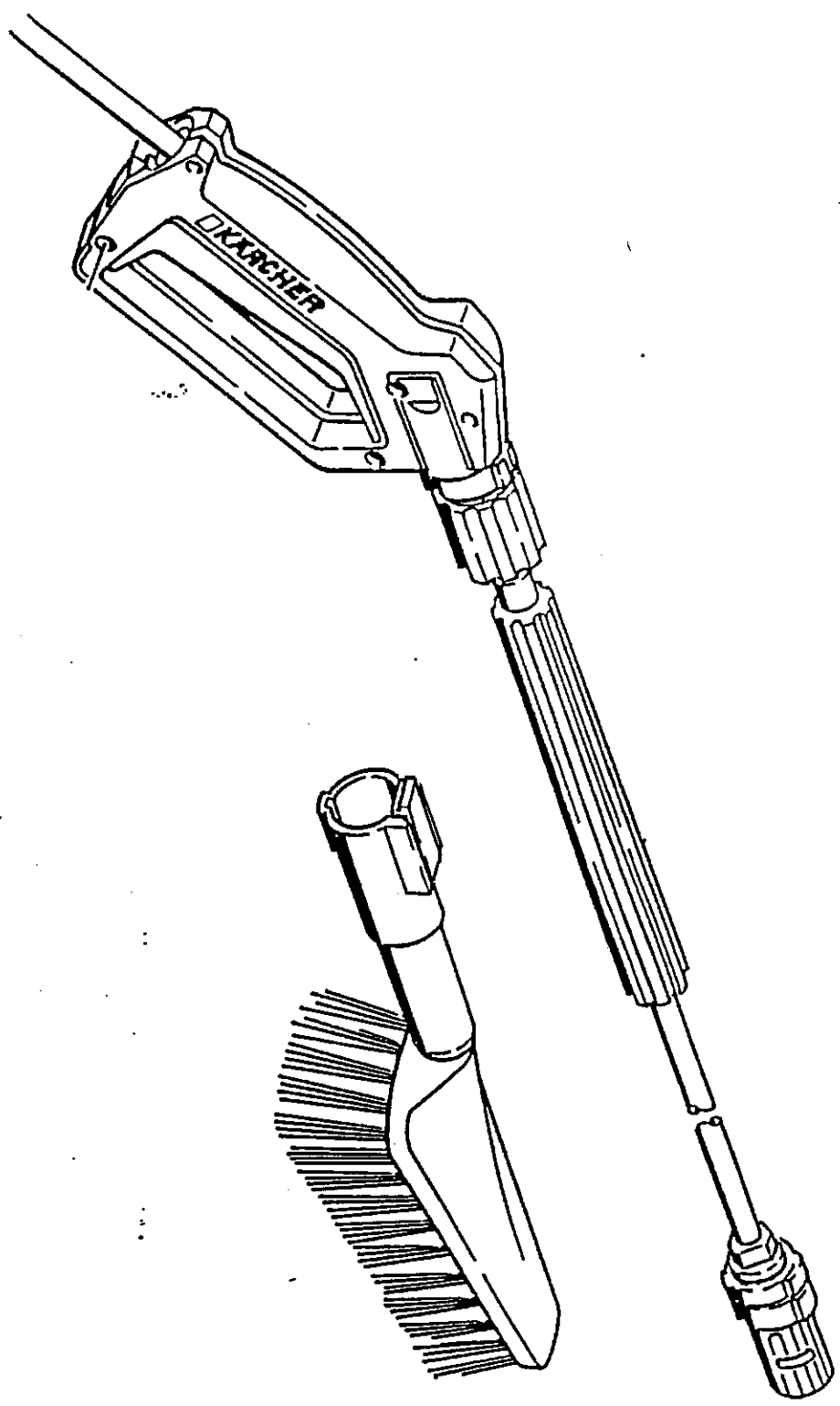
Pos.	Benennung Item Description Pos. Designation	Teil-Nr. Part-No. No. piece	Stück Qty. Nbr.
0	Motor Kompl. bis Werk-Nr. 409 180/ Motor Compl. up to serial No. 409 180/ Moteur Compl. a partir du numero de fabrication 409 180	4.623-022.0	1
0	Motor Kompl. ab Werk-Nr. 409 181/ Motor Compl. from serial No. 409 181/ Moteur Compl. a partir du numero de fabrication 409 181	4.623-060.0	1
7	Kondensator 80mf/ Capacitor/ Condensateur	6.661-130.0	1
8	Spannband/ Snap Retainer/ Bande de Serrage	5.260-031.0	1
9	Linsenschr. H4x8/ Oval Head Screw/ Vis A Tete Bonhee	6.303-082.0	2
10	Dichtung/ Seal/ Joint	6.362-585.0	1
11	Verschlußschraube/ Screw Plug/ Vis de Fermeture	5.411-088.0	1
12	W.dichttringa25x35x7/ Ofl Seal/ Bague A Levres Ress	7.367-008.0	1
13	Kugellager 7305 b/ / Roulement Avant	6.401-142.0	1
14	Toleranzring 20x14/ Tolerance Ring/ Cale	6.343-016.0	1
15	Ax-Rillenkugellager/ Thrust Bearing/ Butee	6.401-141.0	1
16	Profiliring/ Profile Ring/ Anneau	5.015-044.0	1
17	Taunelscheibe Kompl. bis Werk-Nr. 409 180/ Swash Plate Compl. up to serial No. 409 180/ Disque Inclined Compl. jusqu'au numero de fabrication 409 180	4.120-118.0	1
17	Taunelscheibe Kompl. ab Werk-Nr. 409 181/ Swash Plate Compl. from serial No. 409 181/ Disque Inclined Compl. a partir du numero de fabrication 409 181	4.120-122.0	1



Gruppe 4: Zubehör
Group 4: Accessories
Groupe 4: Accessoires

A 4

KÄRCHER 570

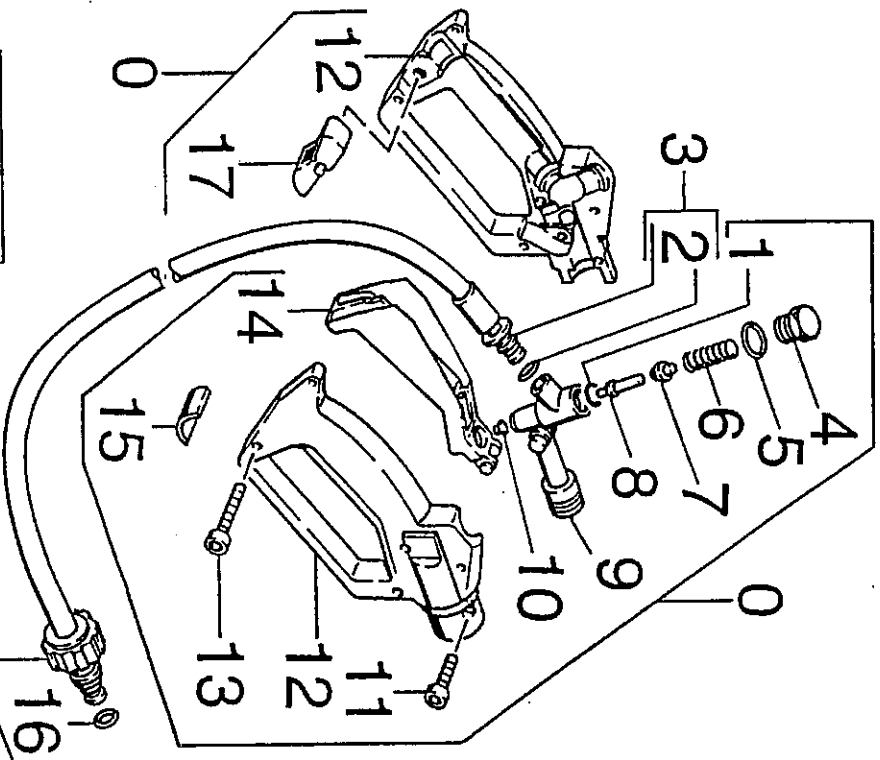


4.FFS-04.07.260

Gruppe 4: Zubehör
 Group 4: Accessories
 Groupe 4: Accessoires

B 4

Kärcher 570



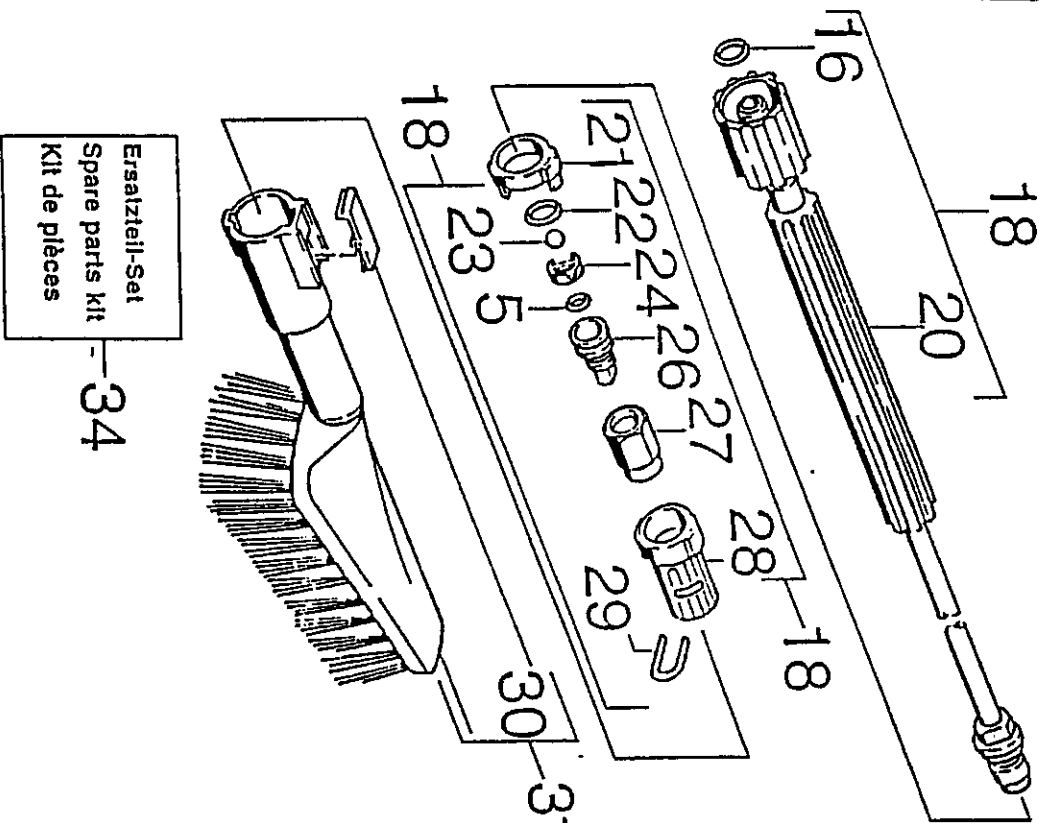
Ersatzteil-Set
 Spare parts kit
 Kit de pièces

34

Pos. Item Description	Teil-Nr. Part-No. No. pièce	Stück Qty. Nbr.
0 Handspritzpistole/ Trigger gun/ Poignée pistolet	4.775-036.0	1
1 O-Ring 2,8x1,6/ O-Ring/ Joint Torique	7.362-502.0	1
2 O-Ring 6,75x 1,78/ O-Ring/ Joint Torique	6.362-422.0	1
3 Hd-Schlauch Mw6-10m/ Hp-Hose/ Tuyau Souple A Hp	6.389-354.0	1
4 Verschluss-Schraube/ Screw Plug/ Vis de Fermeture	5.411-054.0	1
5 O-Ring 12,42x1,78/ O-Ring/ Joint Torique	6.362-480.0	1
6 Schraubenfeder/ Coil Spring/ Ressort A Boudin	5.332-157.0	1
7 Ventilteller/ Valve Head/ Tete de Soupape	5.582-058.0	1
8 Stange/ Rod/ Perche	5.107-067.0	1
9 Knotenstueck/ Strut Att. Fitting/ Ferrure Nodale	5.427-086.0	1
10 Zapfen/ Trunion/ Tourillon	5.108-051.0	1
11 Schraube 4,2x16/ Screw/ Vis	6.303-025.0	1
12 Griffpaar/ Grip (Two Halves)/ Demi-Poignees	5.321-129.0	1
13 Schraube 4,2x22/ Screw/ Vis	6.303-024.0	5
14 Hebel/ Lever/ Levier	5.481-053.0	1
15 Schutzteil/ Protection piece/ Piece de Protection	5.394-156.0	1
16 Et-Set (O-Ring/5 X)/ O-Ring set (5)/ Kits joints (5)	2.880-296.0	1
17 Hebel/ Lever/ Levier	5.481-052.0	1
34 Et-Set siehe Bildtafel E16/ Spare Parts Kit see Board E16/ Kit de Pieces voir Tableau E16	2.883-013.0	1



4 775-036 00 020



Pos. Benennung
Item Description
Pos. Designation

Teil-Nr.
Part-No.
No. Piece

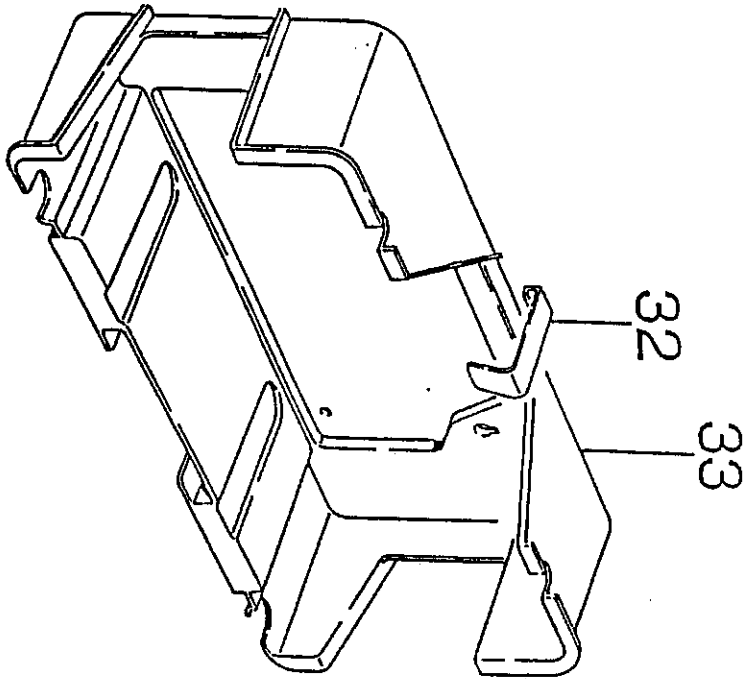
Stück
Qty.
Nbr.

5	O-Ring 12,4x 1,78/ O-Ring/ Joint Torique	6.362-480.0	1
16	O-Ring (C-Ring/5 X) / O-Ring Set (5) / Kits Joints (5)	2.880-296.0	1
18	Spranzrohr komplett bis Werk-Nr. 409 180/ Spray Lance Comp. up to serial No. 409 180/ Tube de Lance Compl. jusqu'au numero de fabrication 409 180	4.760-107.0	1
18	Spranzrohr (kompl.) ab Werk-Nr. 409 181/ Spray Lance Comp. from serial No. 409 181/ Tube de lance compl. a partir du numero de fabrication 409 181	4.760-228.0	1
20	Griff/ Handle/ Poignee	5.321-134.0	2
21	Formteil/ Preform/ Preforme	5.030-383.0	1
22	O-Ring 14x2,5/ O-Ring/ Joint Torique	6.362-460.0	1
23	Kugel 6,0/ Steel Ball/ Ball D'acier	7.401-918.0	1
24	Halter/ Support/ Appui	5.042-283.0	1
26	Zweistrahl Düse bis Werk-Nr. 409 180/ Two nozzle up to serial No. 409 180/ Buse a double jet jusqu'au numero de fabrication 409 180	6.415-429.0	1
26	Zweistrahl Düse ab Werk-Nr. 409 181/ Two nozzle from serial No. 409 181/ Buse a double jet a partir du numero de fabrication 409 181	6.415-557.0	1
27	6-K-Mutter/ Hexagon Nut/ Ecrou Hexagonal	5.311-117.0	1
28	Schutzteil/ Protection Piece/ Piece de Protection	5.394-155.0	1
29	Haken/ Hook/ Crochet	5.037-064.0	1
30	Hebel/ Lever/ Levier	5.481-054.0	1
31	Waschbürste/ Wash Brush/ Brosse	4.762-046.0	1
34	Ersatzteil-Set E16/ Spare Parts Kit see Board E16/ Kit de Pieces voir Tableau E16	2.883-013.0	1

Gruppe 4: Zubehör
Group 4: Accessories
Groupe 4: Accessoires

D 4

KÄRCHER 570



Pos. Benennung Item Description Pos. Designation	Teil-Nr. Part-No. No. piece	Stück Qty. Nbr.
32 Halter/ Bracket/ Fixation	5.042-419.0	1
33 Behälter/ Resceptacle/ Reservoir	5.070-087.0	1



Ungültig Invalid Non valable			Neu New Neuf			
Gruppe Group Groupe	Teile-Nr. Part-no. No. pièces	Stand State Etat	Code	Teile-Nr. Part-no. No. pièces	Gruppe Group Groupe	Stand State Etat
2	4.401-052	3/91	1	4.401-059	2	6/92
2	4.401-059	3/91	1	6.388-576	2	6/92
2	5.364-129	3/91	1	6.389-716	2	6/92
3	5.411-062	10/89	1	5.411-089	3	5/90
3	5.411-089	5/90	1	5.411-088	3	3/91
4	4.760-166	10/89	1	4.760-228	4	5/90
4	6.415-461	10/89	1	6.415-557	4	5/90
1 Ersetzt durch/Replace by/Remplacer par 2 Neuaufnahme/Innovation/Innovation 3 Entfällt/Fall away/Référence est éliminée 4 Fehlerkorrektur/Clear fault/Éliminer défaut						

H 16

KÄRCHER 570

Teile sind im Pumpenset 2.883-103 enthalten
parts included in pump kit 2.883-103
pièces comprises dans le jeu de pièces
de rechange pompe 2.883-103

Gruppe Group Groupe	Pos. Item Pos.	Benennung Designation Designation	Teile-Nr. Part No. No. pièces	Stück- Qty. Nbr.
2	20	O-Ring/O-ring/Joins torique 13,3x2,4	6.362-078	4
2	21	Ventil kompl./Valve compl./ Soupape compl.	4.580-190	3
2	9	Schleife/Disk/Rondelle	5.115-125	3
2	10	Nutring/grooved ring/Joins en U a levres	6.365-322	3
2	50	O-Ring/O-ring/Joins torique 50x2	6.362-561	1
2	29	O-Ring/O-ring/Joins torique 14x2	6.362-481	3
2	27	Ventilceller/Valve head/Claquet	5.582-073	3

Telle sind im Ersatzteilset 2.883-013 enthalten
 Parts included in spare kits 2.883-013
 Pièces comprises dans le jeu de pièces rechange 2.883-013

Gruppe Group	Pos. Item Pos.	Benennung Designation	Telle-Nr. Part No. No. Pièces	Stck. Qty. Nbr.
2	20	O-Ring/O-ring/Joinc torique 13,3x2,4	6.632-078	4
2	31	O-Ring/O-ring/Joinc torique 9x1,5	6.362-384	2
2	44	O-Ring/O-ring/Joinc torique	6.362-383	1
2	45	Kugel/Steel ball/Bail d'acier	7.401-909	1
2	46	Schraubfeder/Coil spring/ Ressort à boudin	5.332-124	1
2	47	O-Ring kompl./O-ring compl./ Joinc torique compl. 7,65x1,78	6.362-365	1
4	1	O-Ring/O-ring/Joinc torique	7.362-502	1
4	2	O-Ring/O-ring/Joinc torique	6.362-498	1
4	5	O-Ring/O-ring/Joinc torique	6.362-480	2
4	7	Ventilteller/Valve head/Tete de soupape	5.382-058	1
4	16	ET-Sec(O-Ring 5x)/O-ring sec (5)/Kits joints (5)	2.880-296	1
4	22	O-Ring/O-ring/Joinc torique 14x2,5	6.362-460	1

2.883-16.05.533